



US00D512618S

(12) **United States Design Patent**
Bass et al.

(10) **Patent No.: US D512,618 S**
(45) **Date of Patent: ** Dec. 13, 2005**

(54) **IMPACT WRENCH**
(75) Inventors: **Gary S. Bass**, Independence, KY (US);
Ronald J. Mulford, Aurora, IN (US)
(73) Assignee: **Campbell Hausfeld/Scott Fetzer**
Company, Harrison, OH (US)
(**) Term: **14 Years**

D349,027 S 7/1994 Izumisawa
D432,379 S * 10/2000 Sun D8/70
D446,433 S * 8/2001 Bass et al. D8/62
D449,212 S * 10/2001 Price et al. D8/107
D468,607 S * 1/2003 Price et al. D8/61
D472,441 S * 4/2003 Morgan D8/61
D484,379 S * 12/2003 Chen D8/61

* cited by examiner

Primary Examiner—Joel A. Sincavage
Assistant Examiner—Elizabeth Albert
(74) *Attorney, Agent, or Firm*—Jones Day

(21) Appl. No.: **29/194,757**
(22) Filed: **Dec. 1, 2003**

(51) **LOC (6) Cl.** **08-05**
(52) **U.S. Cl.** **D8/61**
(58) **Field of Search** D8/61, 62, 70;
81/54, 57.11, 57.13, 57.14, 57.29, 57.39,
177.2, 429, 469; 173/168, 169, 170, 182,
216, 217, 221; 310/47, 50

(57) **CLAIM**

We claim the ornamental design for an impact wrench, as shown and described.

DESCRIPTION

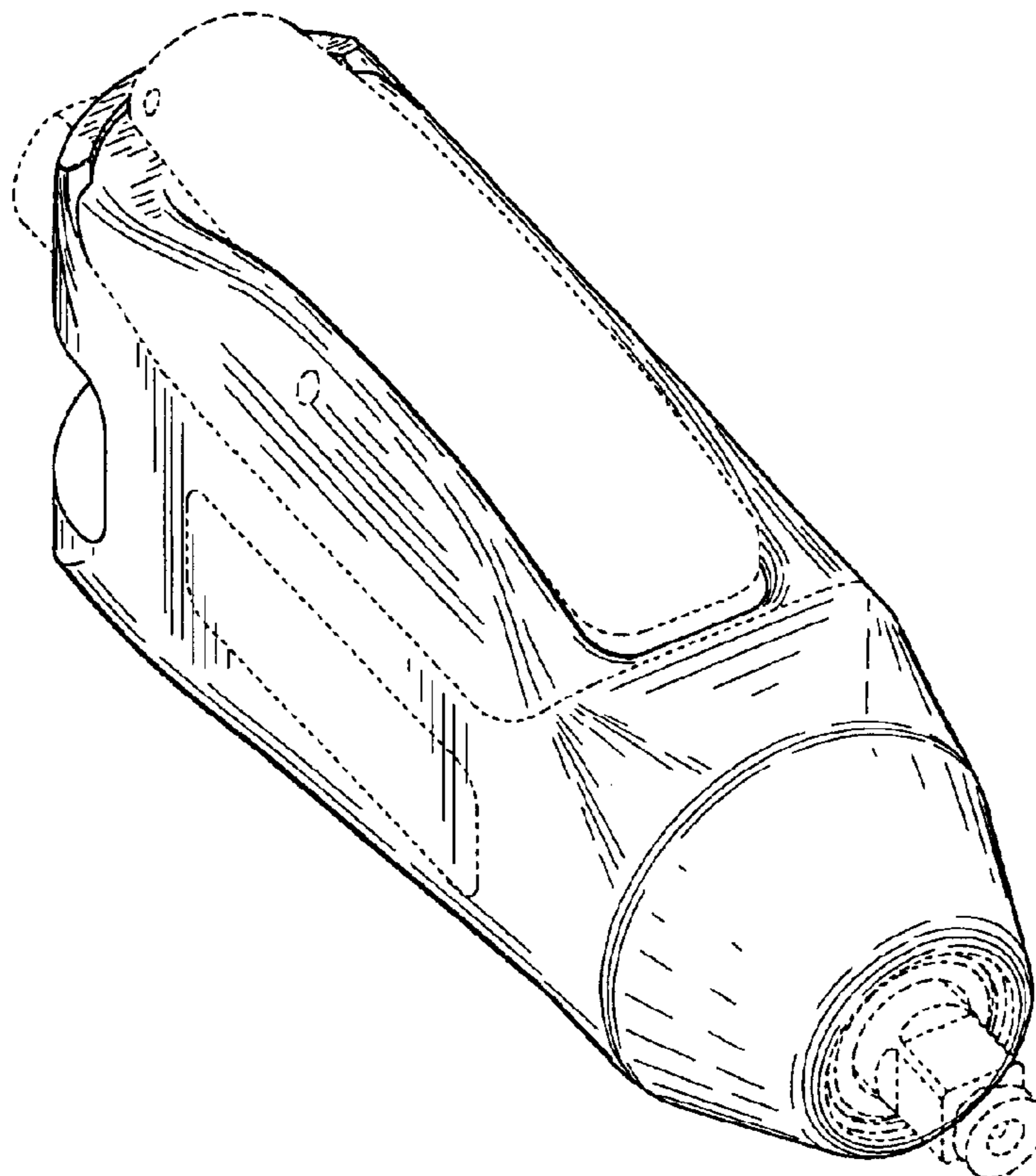
FIG. 1 is a perspective view of an impact wrench embodying the ornamental design of the present invention; FIG. 2 is a front view of the impact wrench; FIG. 3 is rear view of the impact wrench; FIG. 4 is a side view of the impact wrench, the opposite side view being a mirror image; FIG. 5 is a top view of the impact wrench; and, FIG. 6 is a bottom view of the impact wrench. The broken lines in FIGS. 1–6 are for illustrative purposes only and form no part of the claimed design.

(56) **References Cited**

U.S. PATENT DOCUMENTS

2,900,856 A * 8/1959 Maier 81/54
D248,820 S 8/1978 Roth et al.
D269,938 S * 8/1983 Izumisawa D8/61
D298,301 S 11/1988 Stephan
4,811,797 A * 3/1989 Antipov et al. 173/93.6
D307,103 S * 4/1990 Greenlee et al. D8/61
D327,617 S * 7/1992 Fisher D8/61
D347,372 S * 5/1994 Ghode et al. D8/61

1 Claim, 3 Drawing Sheets



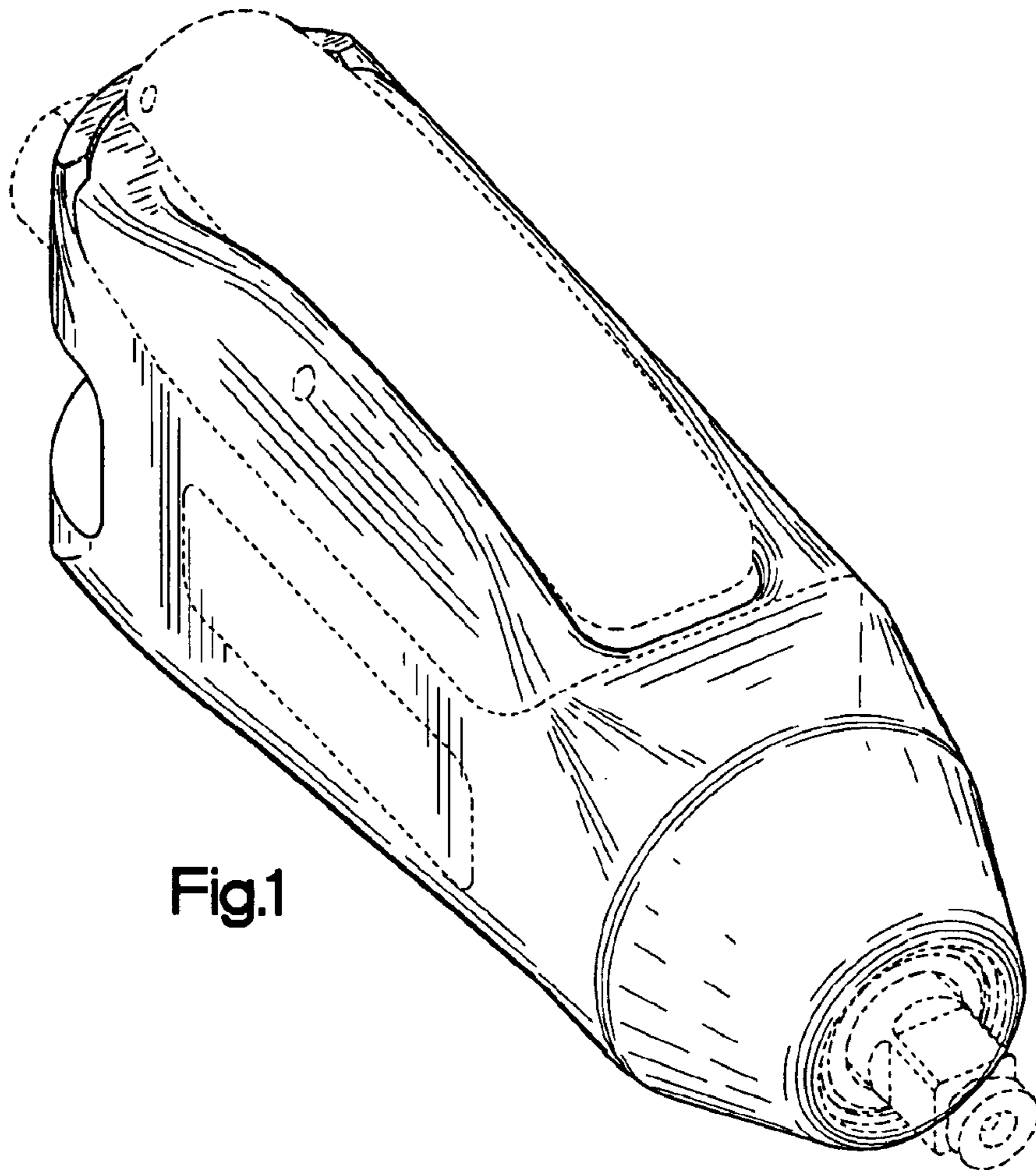


Fig.1

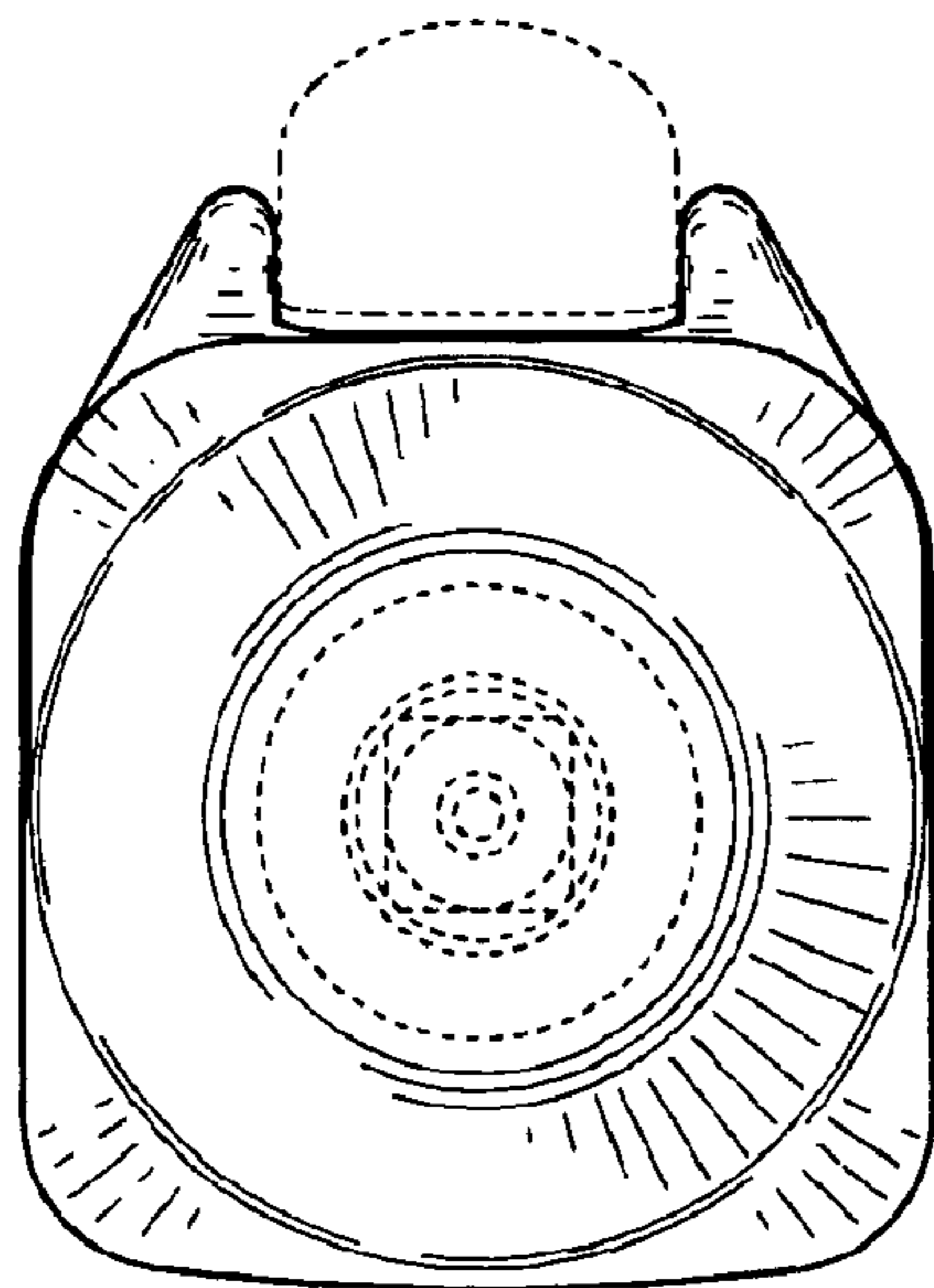


Fig.2

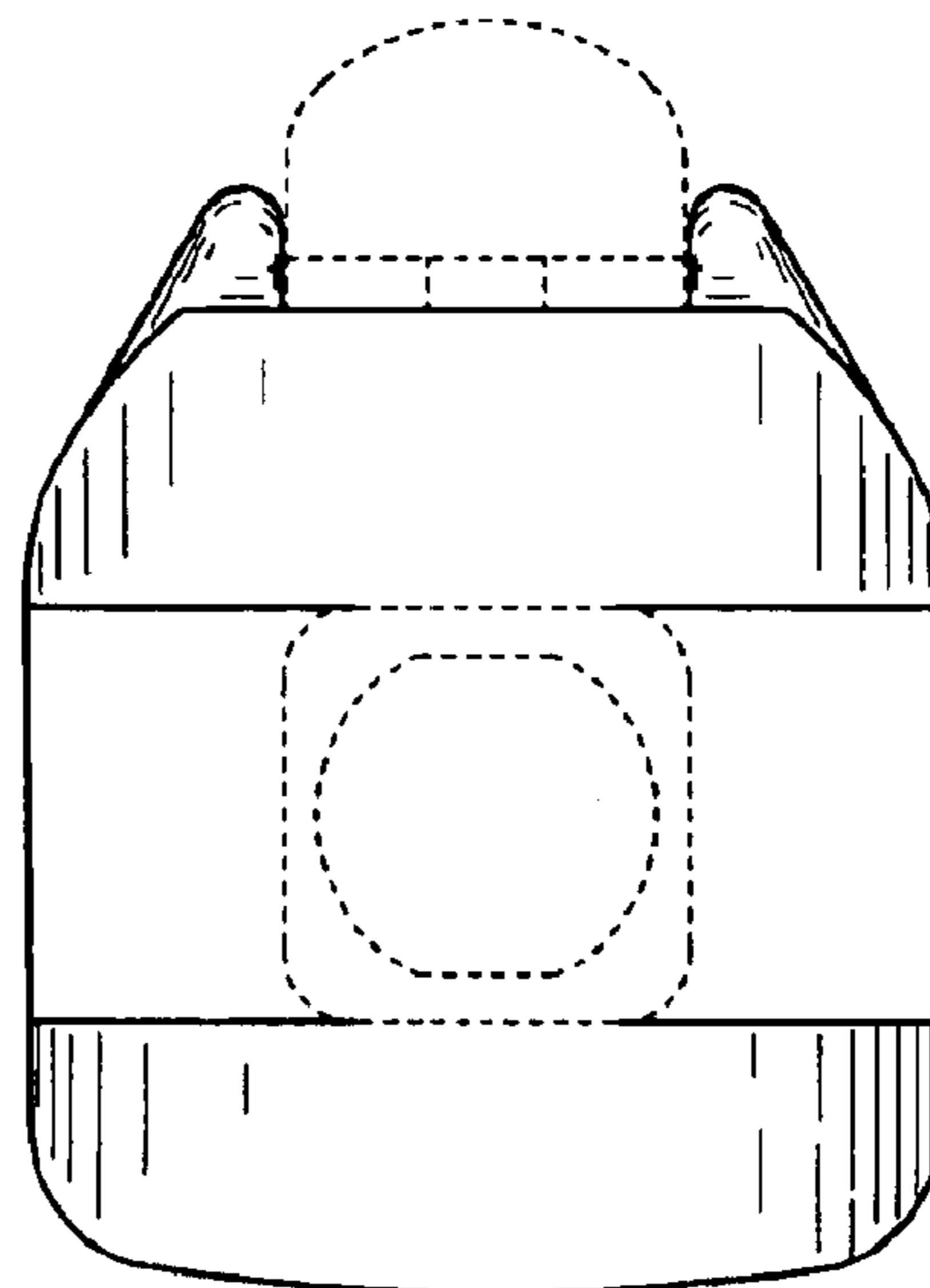


Fig.3

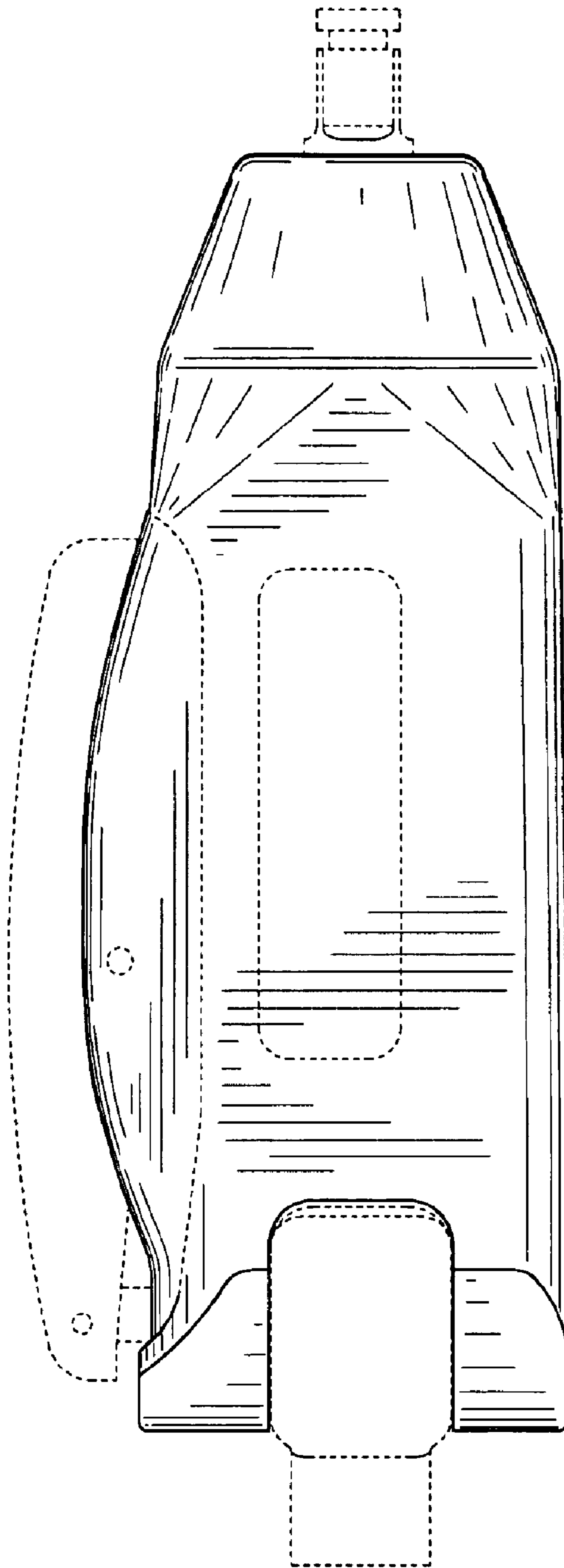


Fig.4

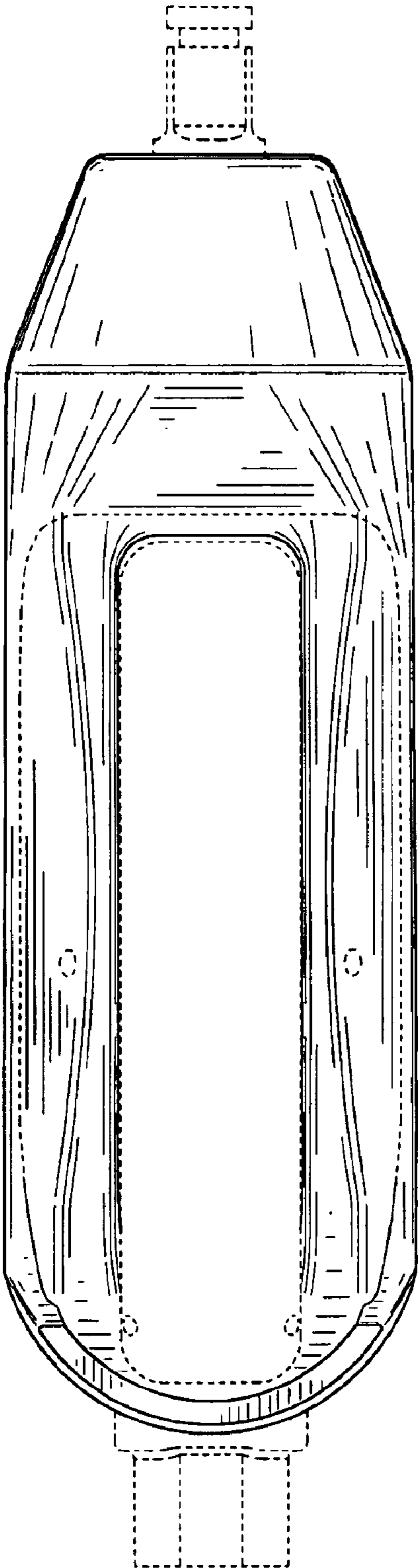


Fig.5

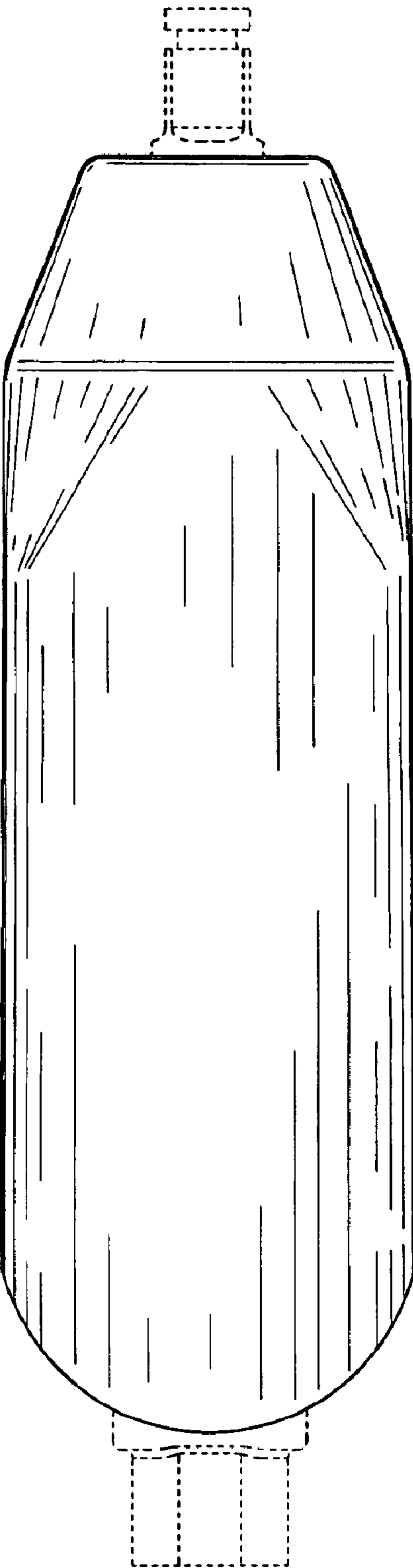


Fig.6