



US00D512617S

(12) **United States Design Patent** (10) **Patent No.:** **US D512,617 S**  
**Adams et al.** (45) **Date of Patent:** **\*\* Dec. 13, 2005**

(54) **STAPLER**

(75) Inventors: **David P. Adams**, Barrington, IL (US);  
**Joel G. Delman**, Chicago, IL (US);  
**Melanie Lyn Conklin**, Chicago, IL  
(US); **Stephen John Gaynes**, McHenry,  
IL (US); **Michael F. DeRossi**,  
Lindenhurst, IL (US)

D411,423 S 6/1999 Huang  
D446,430 S 8/2001 Arns  
D472,437 S 4/2003 Scola et al.  
D475,905 S \* 6/2003 Kroger ..... D8/50  
D478,486 S 8/2003 Scola et al.  
D503,320 S \* 3/2005 Adams et al. .... D8/50  
2002/0166884 A1 \* 11/2002 Luo ..... 227/131

(73) Assignee: **ACCO Brands, Inc.**, Lincolnshire, IL (US)

(\*\*) Term: **14 Years**

(21) Appl. No.: **29/222,868**

(22) Filed: **Feb. 4, 2005**

**Related U.S. Application Data**

(63) Continuation of application No. 29/203,829, filed on Apr. 20, 2004, now Pat. No. Des. 503,877.

(51) **LOC (6) Cl.** ..... **19-02**

(52) **U.S. Cl.** ..... **D8/50; D8/49; D19/72**

(58) **Field of Search** ..... D8/49, 50; D19/72;  
227/120, 126, 127, 128, 131, 132, 134,  
156

(56) **References Cited**

**U.S. PATENT DOCUMENTS**

D219,725 S 1/1971 Sano  
4,014,493 A 3/1977 Wolfe  
4,405,073 A 9/1983 Salleras  
4,726,505 A 2/1988 Okazaki  
D295,015 S \* 4/1988 Ebihara ..... D8/50  
D302,377 S \* 7/1989 Ancona et al. .... D8/50  
D305,200 S 12/1989 Arns et al.  
D331,000 S 11/1992 Doorley  
D336,838 S \* 6/1993 Ishii ..... D8/50

**OTHER PUBLICATIONS**

ACCO Brands, Inc., Fact Book 2001, Feb. 1, 2001, pp. 188–189.

ACCO Brands, Inc., Fact Book 2003, Feb. 1, 2003, pp. 98, 99 and 110–112.

\* cited by examiner

*Primary Examiner*—Adir Aronovich

(74) *Attorney, Agent, or Firm*—Michael Best & Friedrich LLP

(57) **CLAIM**

The ornamental design for a stapler, as shown and described.

**DESCRIPTION**

FIG. 1 is a left-side perspective view, taken from the front, of a stapler embodying the present invention.

FIG. 2 is a right-side perspective view taken from the front of the stapler.

FIG. 3 is a left-side perspective view taken from the rear of the stapler.

FIG. 4 is a left side view of the stapler.

FIG. 5 is a front view of the stapler.

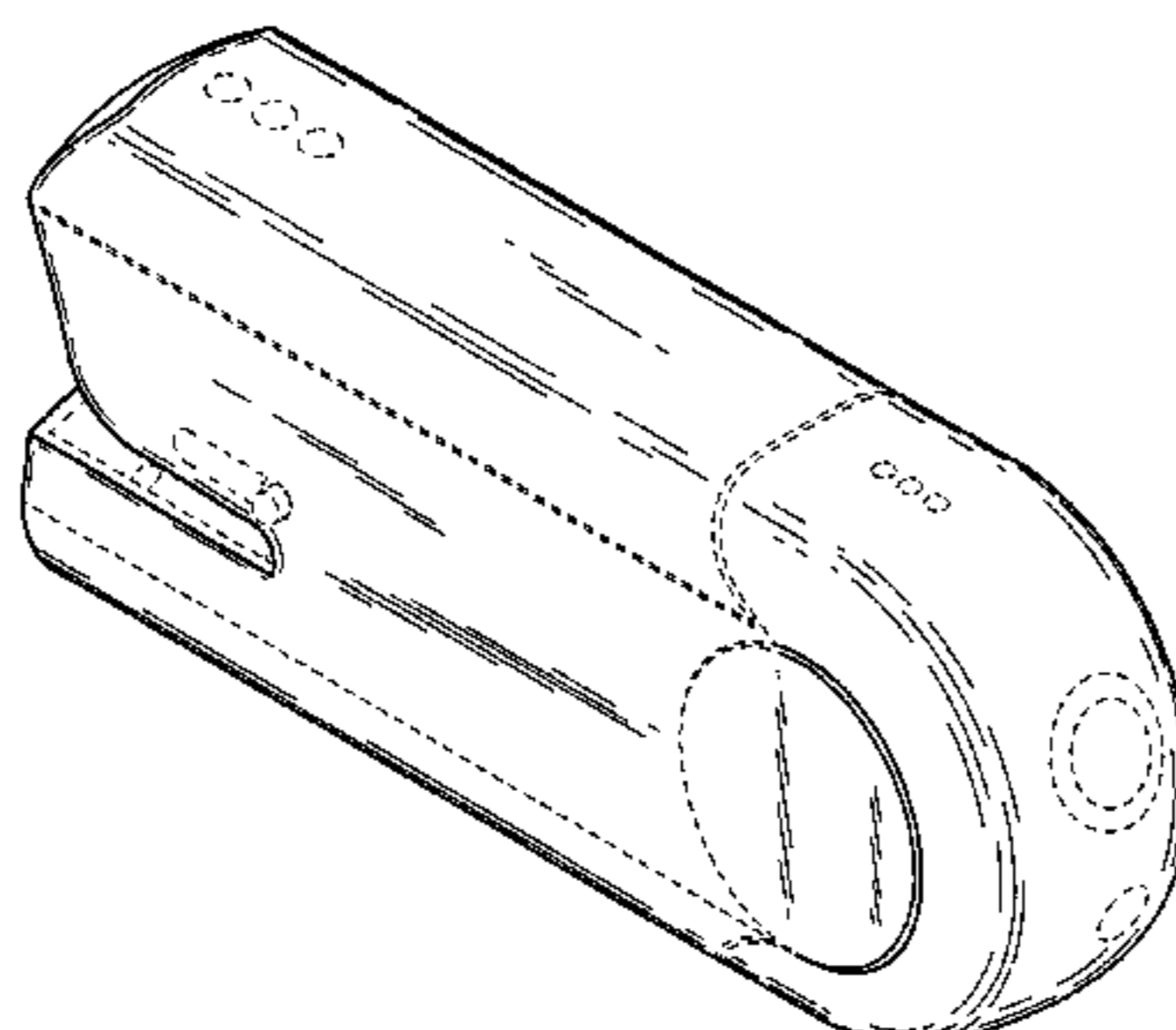
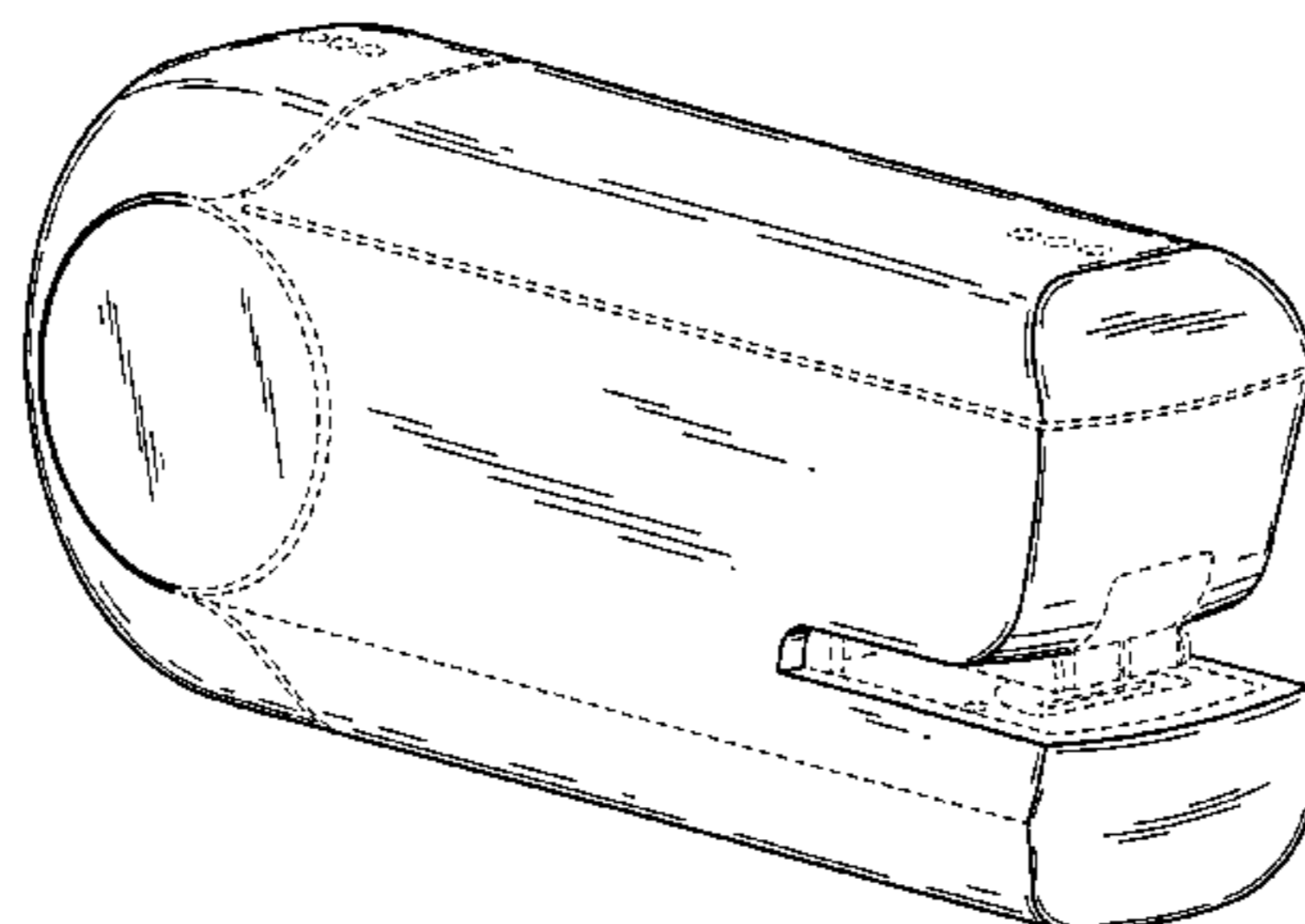
FIG. 6 is a right side view of the stapler.

FIG. 7 is a rear view of the stapler; and,

FIG. 8 is a top view of the stapler.

The portions of the stapler shown in broken lines are for illustrative purposes only and form no part of the claimed design.

**1 Claim, 5 Drawing Sheets**



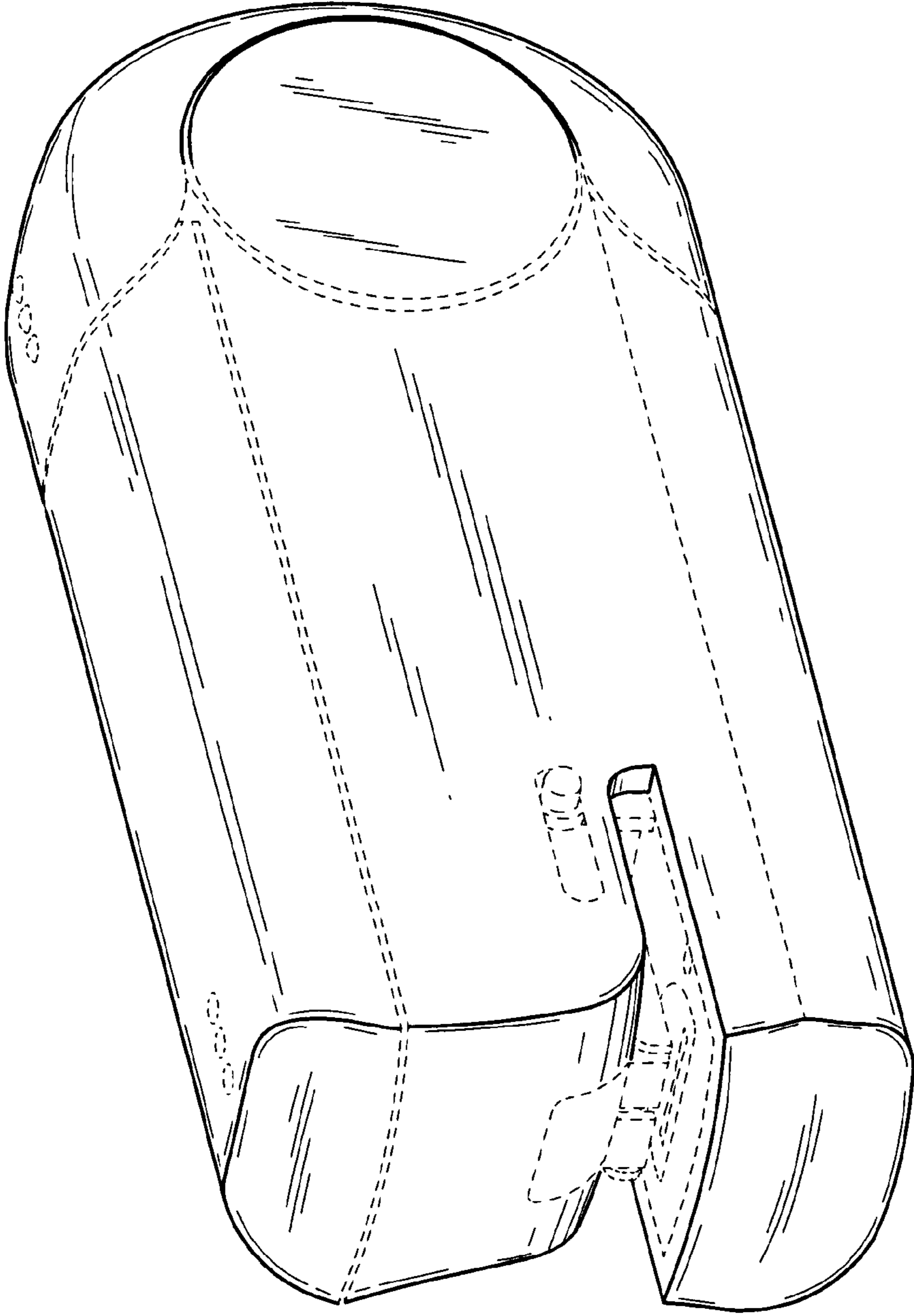
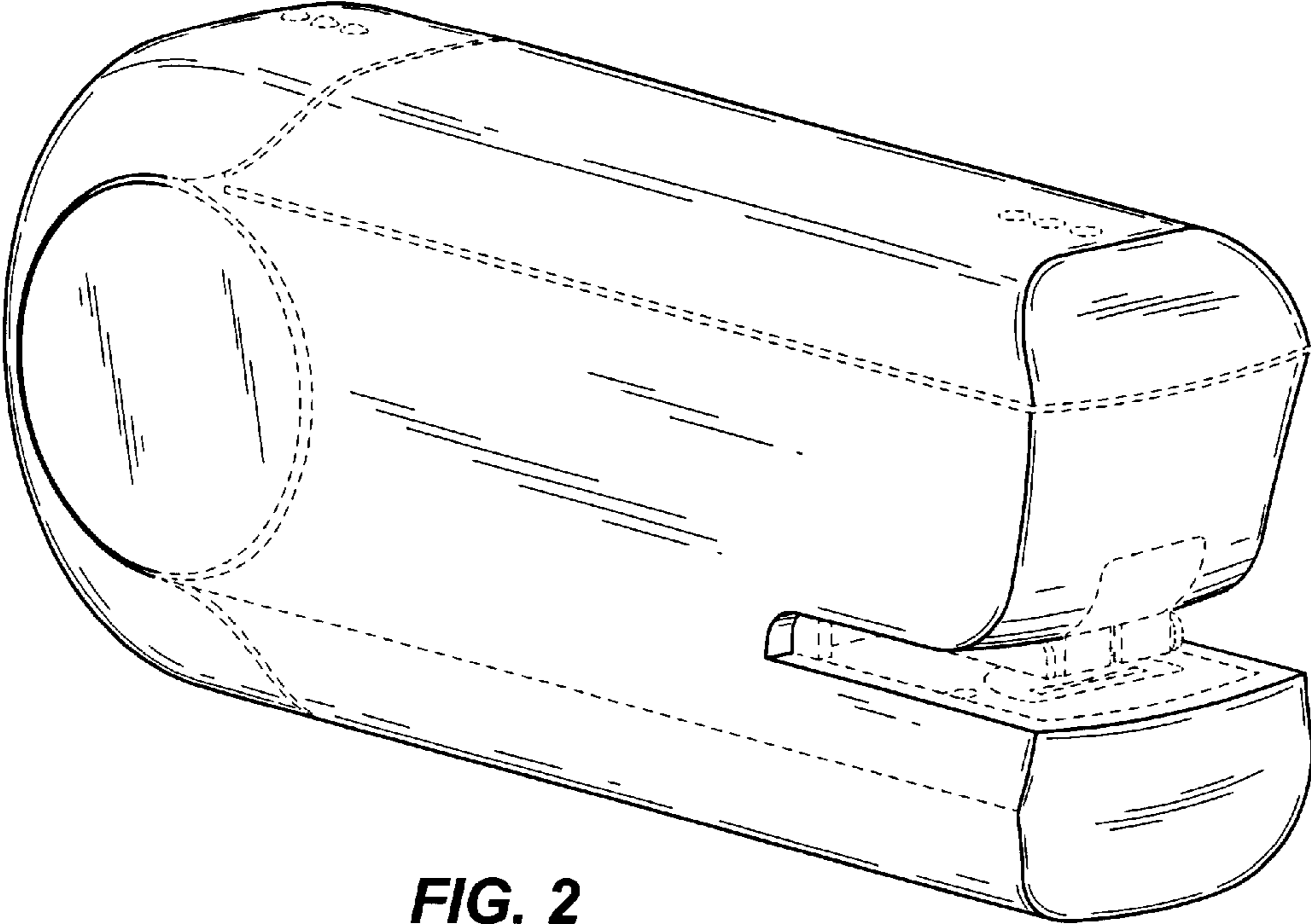
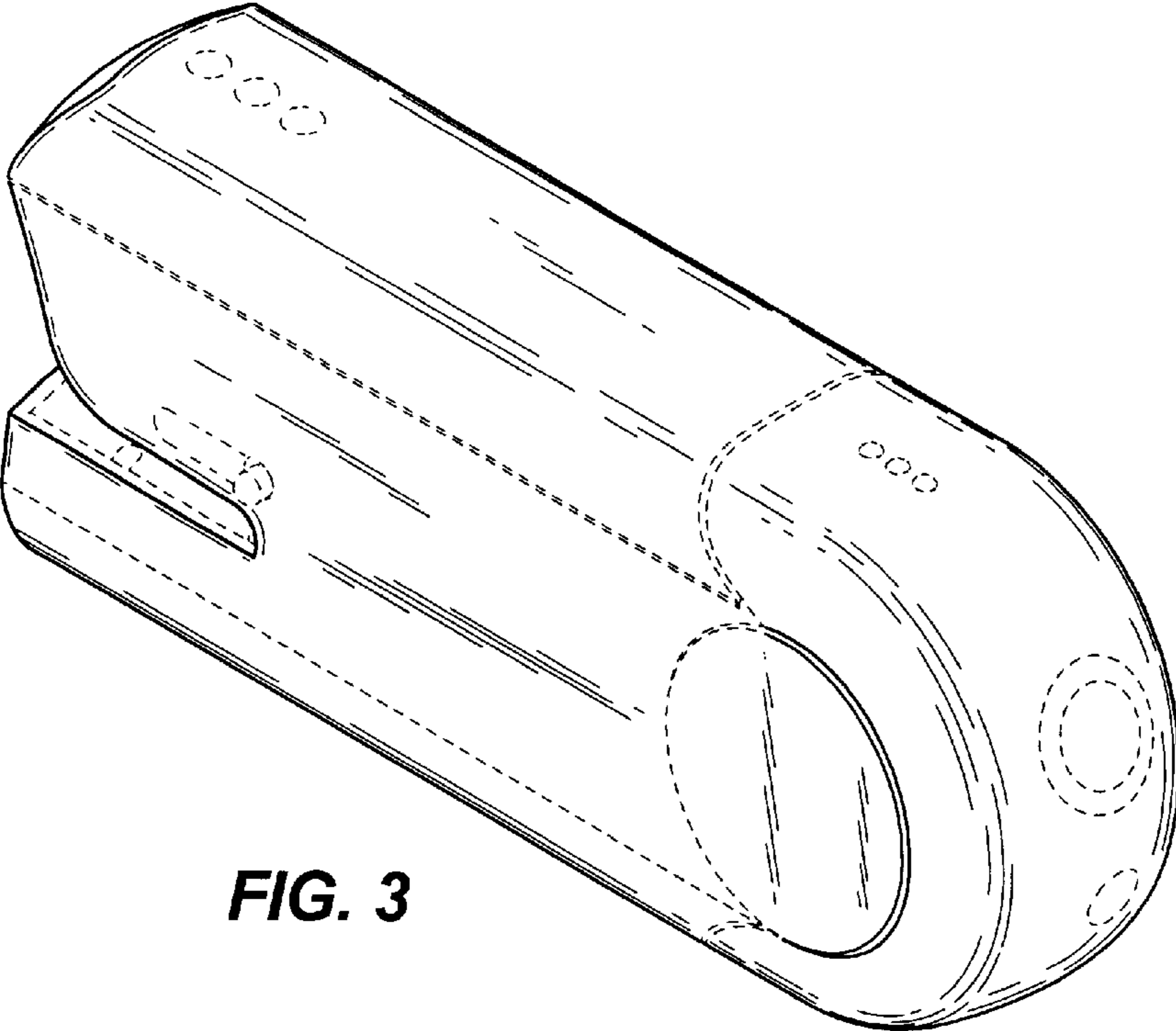


FIG. 1



**FIG. 2**



**FIG. 3**

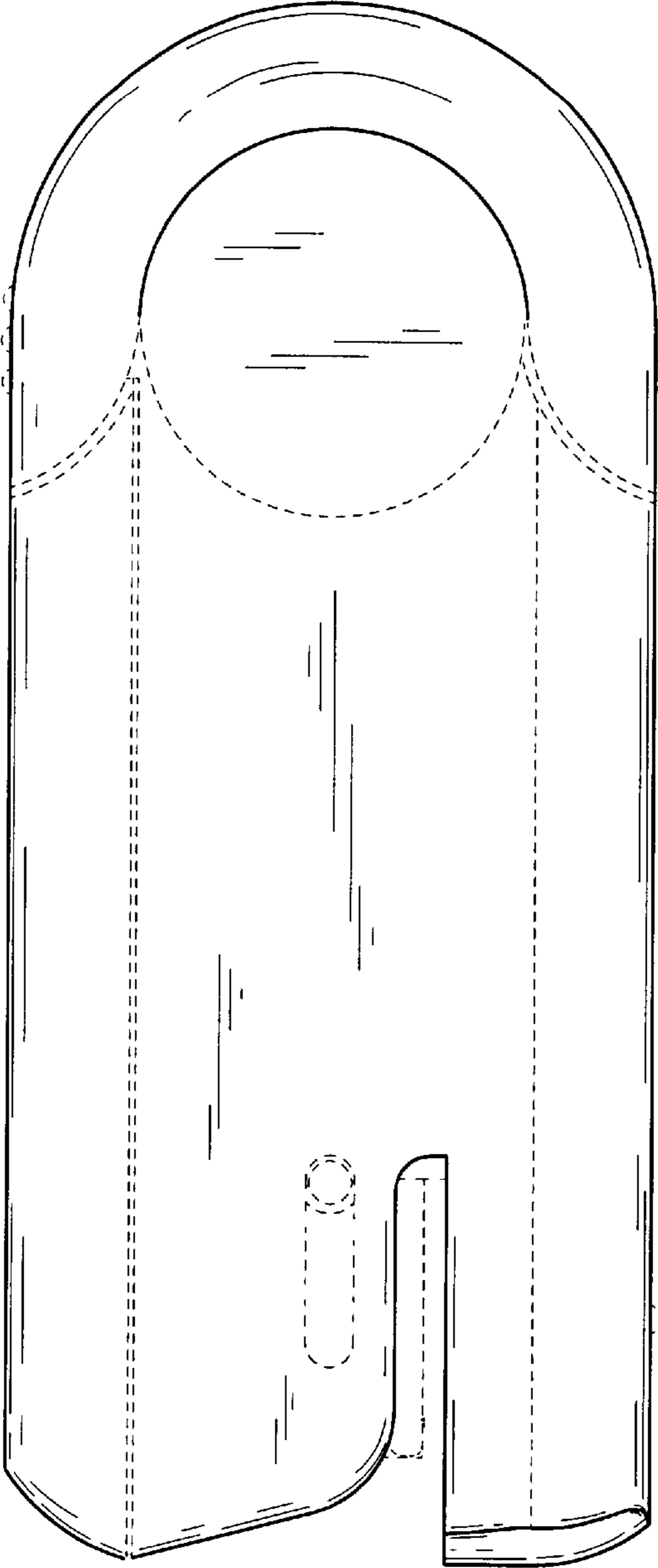


FIG. 4

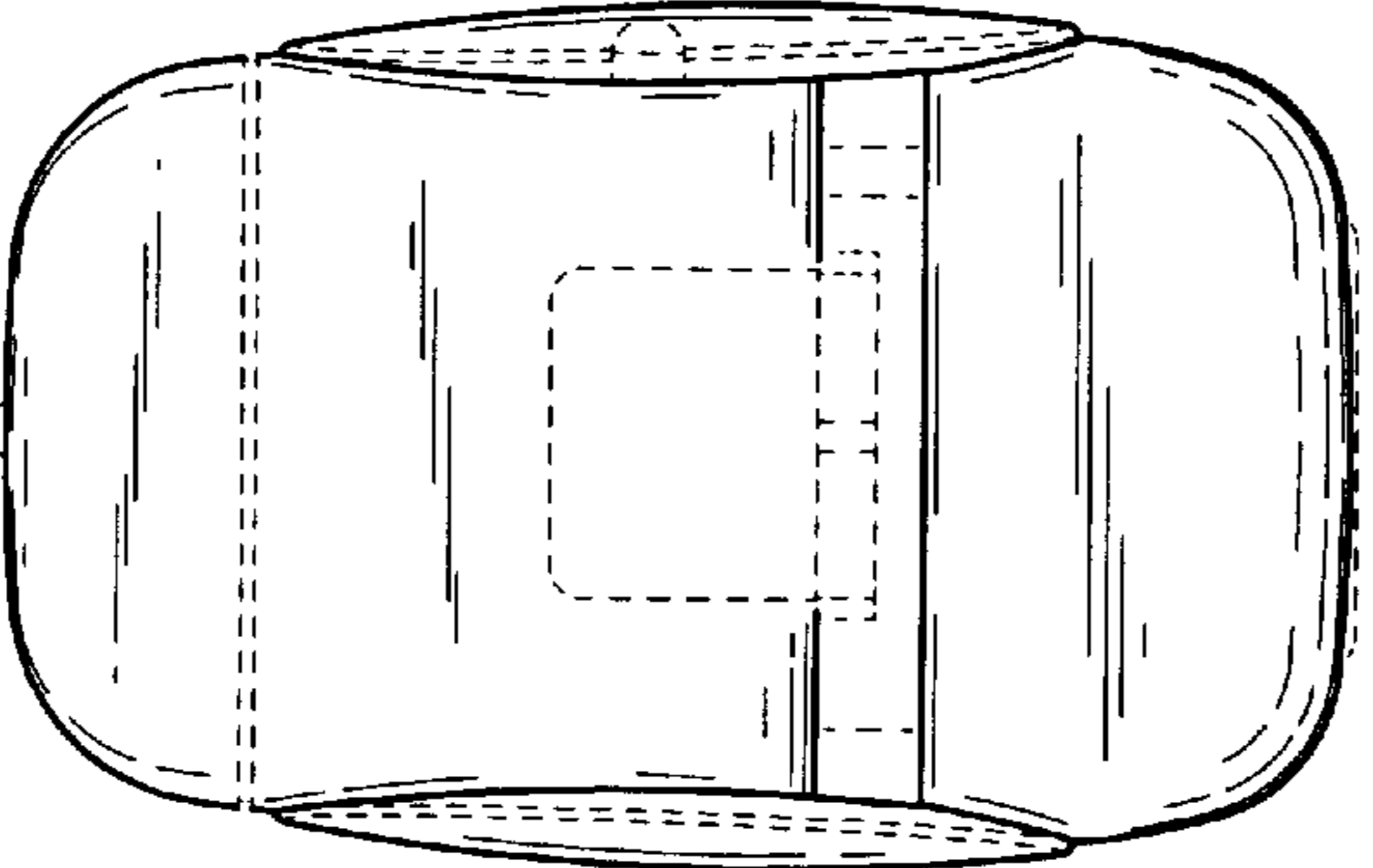


FIG. 5

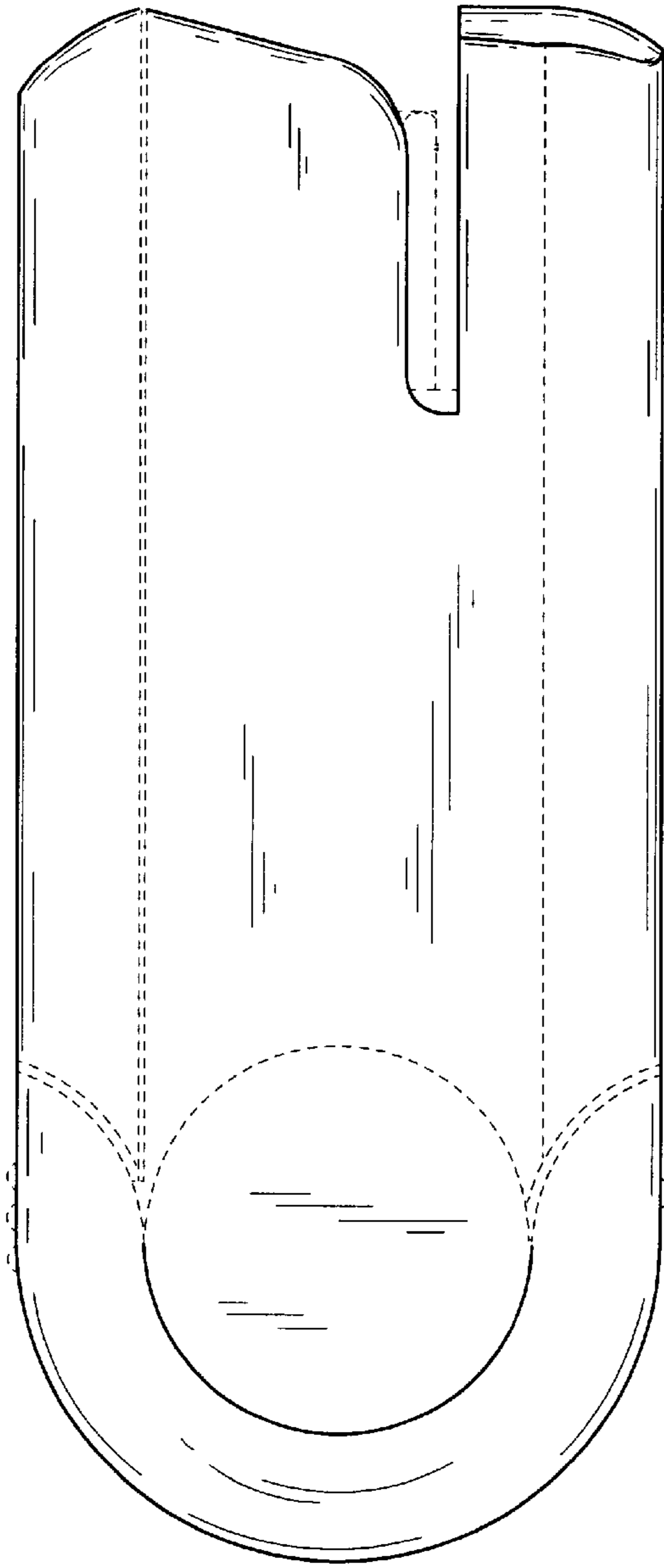


FIG. 6

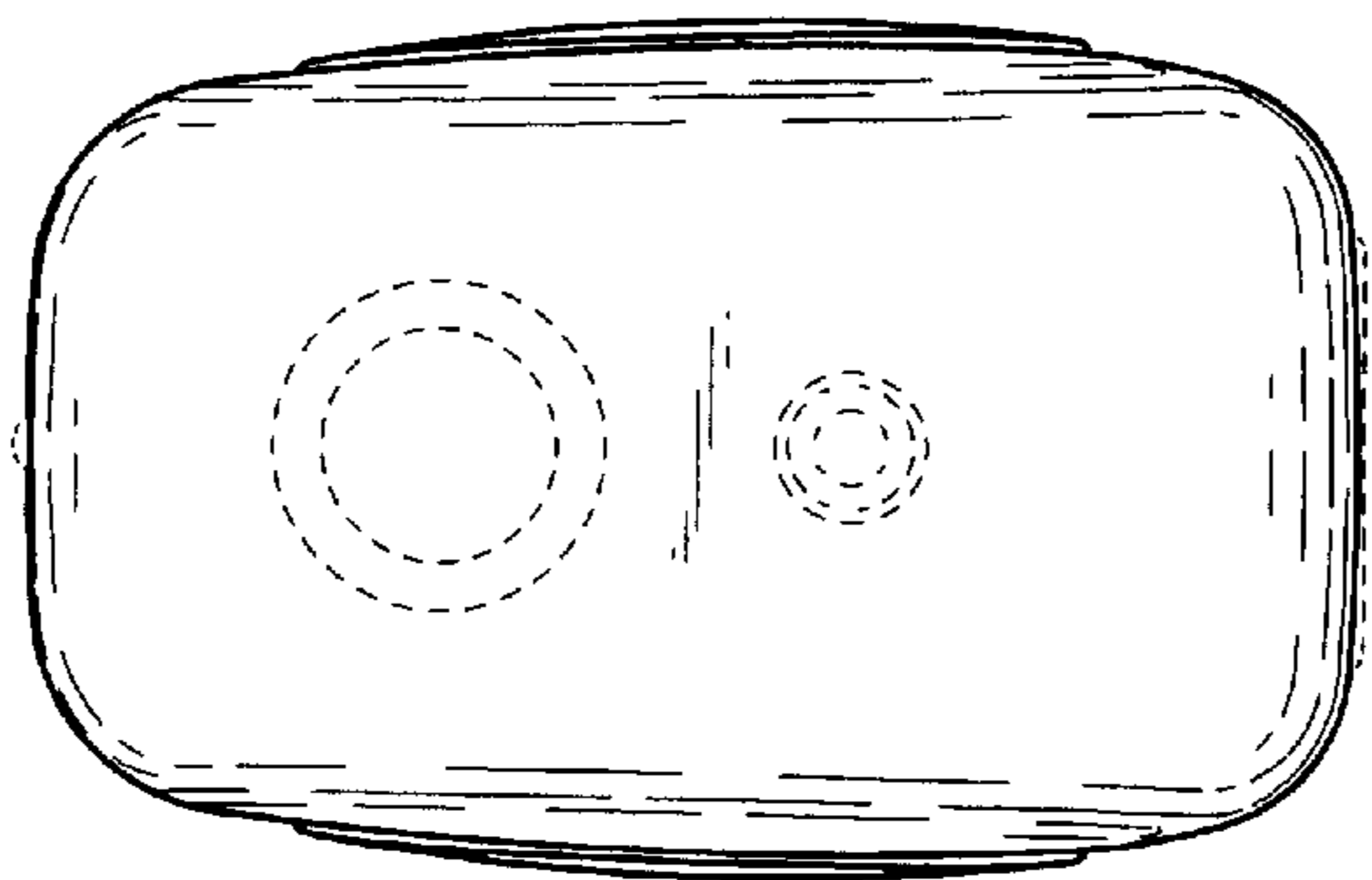
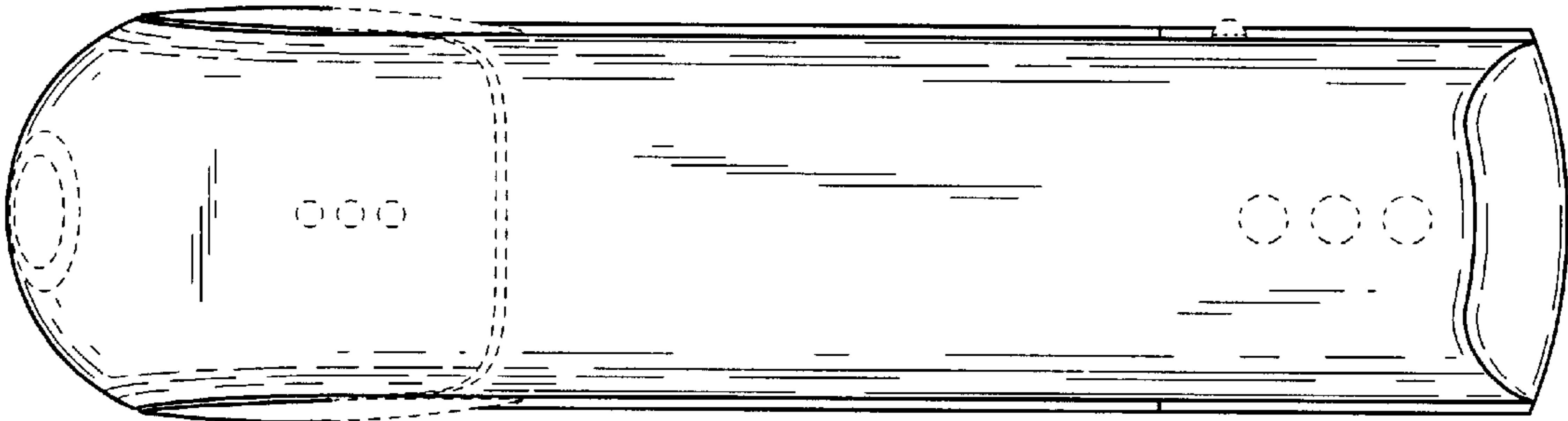


FIG. 7



**FIG. 8**