



US00D512616S

(12) **United States Design Patent** (10) **Patent No.:** **US D512,616 S**
Harris et al. (45) **Date of Patent:** **** Dec. 13, 2005**

(54) **STAPLER**
(75) Inventors: **Mark Harris, McHenry, IL (US);**
David P. Adams, Barrington, IL (US)
(73) Assignee: **ACCO Brands, Inc., Lincolnshire, IL**
(US)
(**) Term: **14 Years**
(21) Appl. No.: **29/219,724**
(22) Filed: **Dec. 21, 2004**
(51) **LOC (6) Cl.** **19-02**
(52) **U.S. Cl.** **D8/50; D8/49; D19/72**
(58) **Field of Search** **D8/49, 50; D19/72;**
227/120, 126, 127, 128, 131, 132, 134,
156

D467,778 S 12/2002 Nolan
D471,413 S * 3/2003 Fukuda D8/49
D472,437 S 4/2003 Scola et al.
D475,905 S 6/2003 Kroger
D478,486 S 8/2003 Scola et al.
6,755,337 B2 6/2004 Jairam et al.
D503,321 S * 3/2005 Harris D8/50

OTHER PUBLICATIONS

Miller's Office Products Catalog, 1995 p. 890 (Light to Medium-Duty Electric Stapler, item E).
ACCO Brands, Inc., Fact Book 2001, pp. 178-179, 188-189.
ACCO Brands, Inc., Fact Book 2003, pp. 98-99, 110-112.

* cited by examiner

Primary Examiner—Adir Aronovich
(74) *Attorney, Agent, or Firm*—Michael Best & Friedrich LLP

(56) **References Cited**
U.S. PATENT DOCUMENTS

2,975,424 A * 3/1961 Oussani 227/131
3,630,428 A 12/1971 Olney et al.
4,542,844 A 9/1985 Olesen et al.
4,573,625 A 3/1986 Olesen
4,574,993 A 3/1986 Yamanoi
4,579,029 A 4/1986 Sunaga
4,726,505 A 2/1988 Okazaki
D304,416 S 11/1989 Tanigami
D305,092 S 12/1989 Olesen et al.
D310,950 S 10/1990 Olesen et al.
4,987,811 A 1/1991 Ikarashi et al.
5,012,967 A 5/1991 Johansson
D319,377 S * 8/1991 Sadashima et al. D8/49
5,076,483 A 12/1991 Olesen
D331,000 S 11/1992 Doorley
D336,838 S 6/1993 Ishii
D374,385 S 10/1996 Herbst et al.
D389,713 S 1/1998 Cochrane et al.
D407,751 S * 4/1999 Zimmermann D19/72
D413,501 S 9/1999 Parsey et al.
D445,323 S 7/2001 Arns

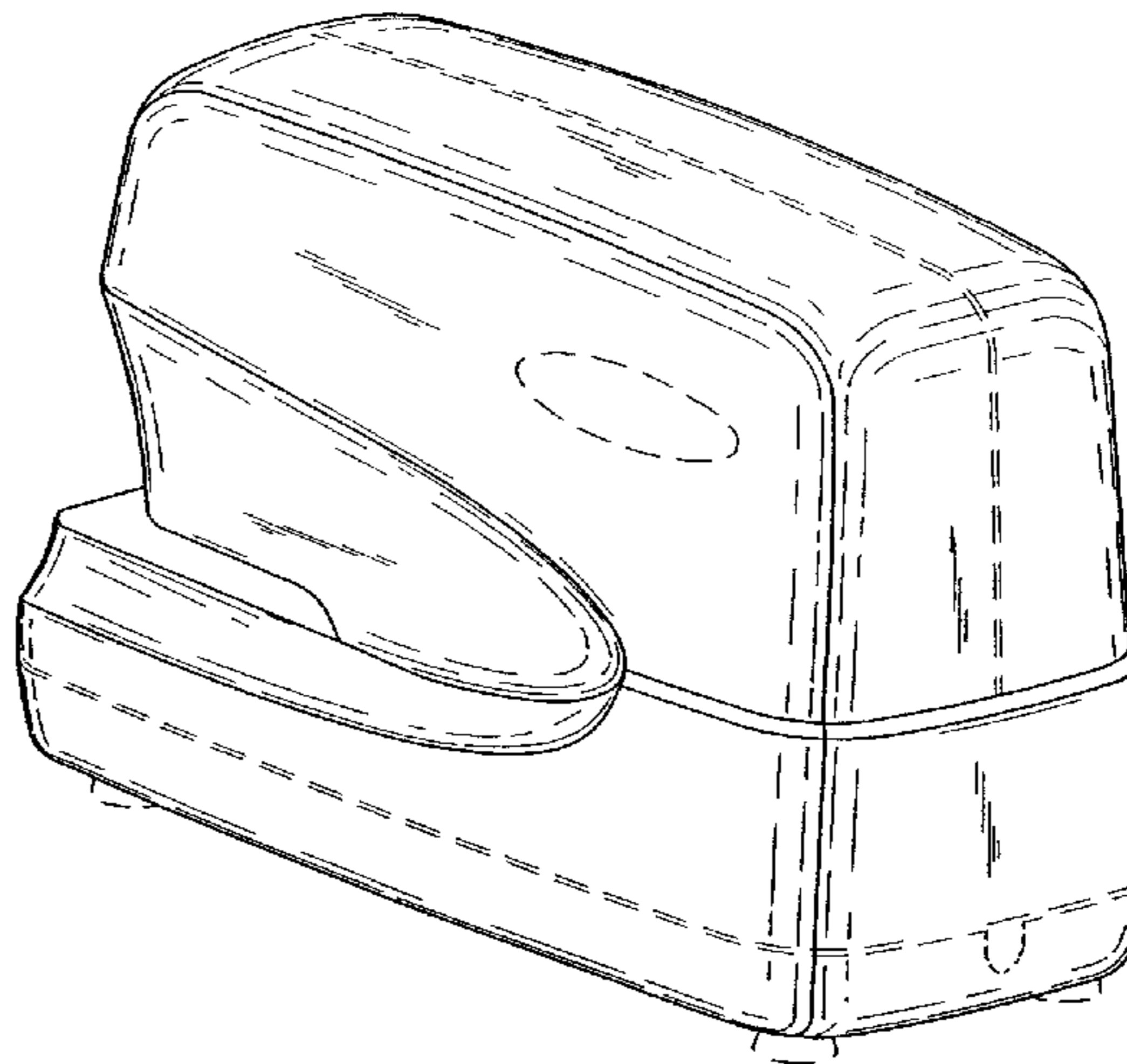
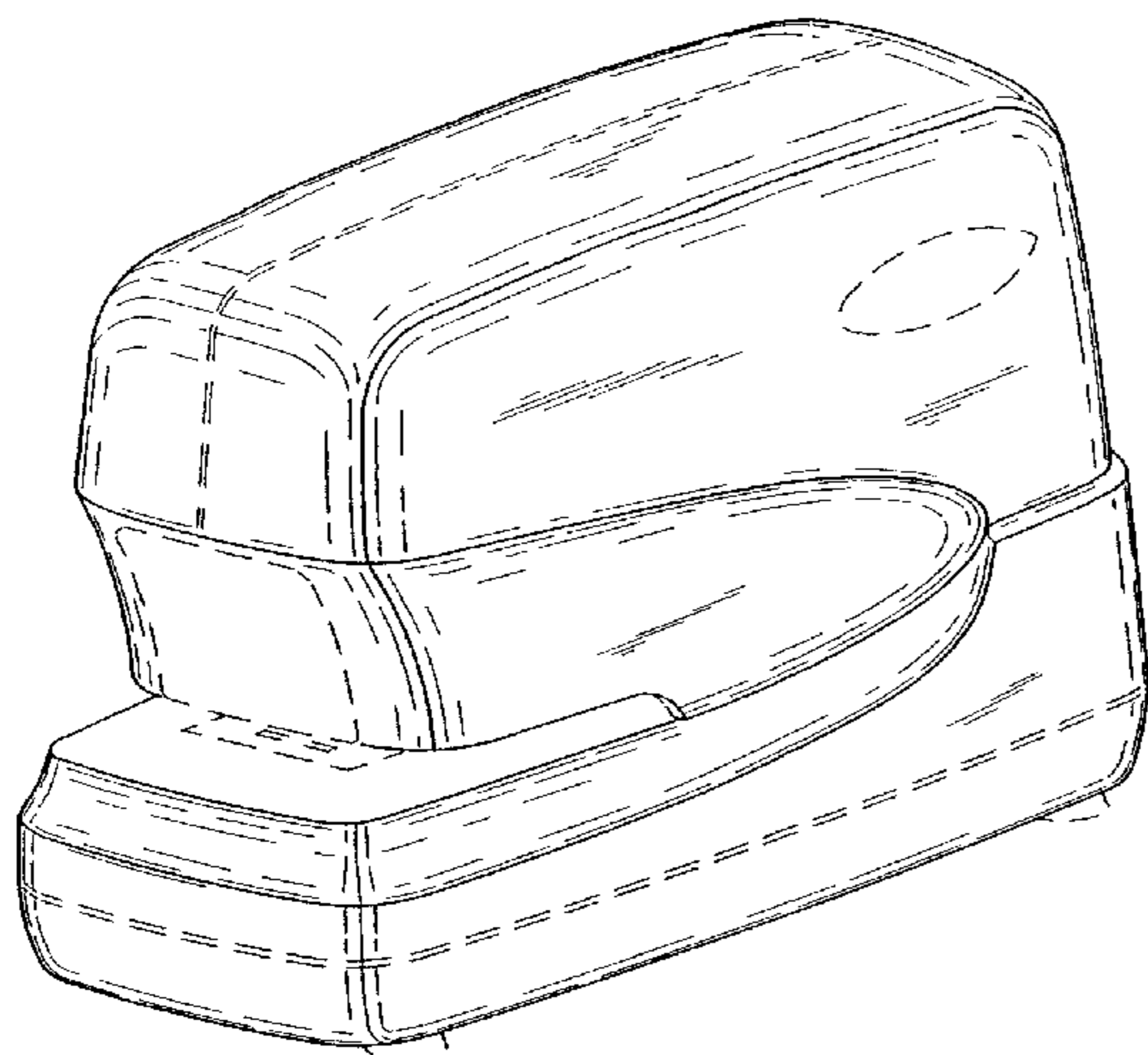
(57) **CLAIM**

The ornamental design for a stapler, as shown and described.

DESCRIPTION

FIG. 1 is a right-side perspective view, taken from the front, of a stapler embodying the present invention.
FIG. 2 is a left-side perspective view taken from the front of the stapler.
FIG. 3 is a left-side perspective view taken from the rear of the stapler.
FIG. 4 is a right side view of the stapler.
FIG. 5 is a front view of the stapler.
FIG. 6 is a top view of the stapler; and,
FIG. 7 is a rear view of the stapler.
The portions of the stapler shown in broken lines are for illustrative purposes only and form no part of the claimed design. The side view opposite FIG. 4 is a mirror image of FIG. 4 and is not shown.

1 Claim, 4 Drawing Sheets



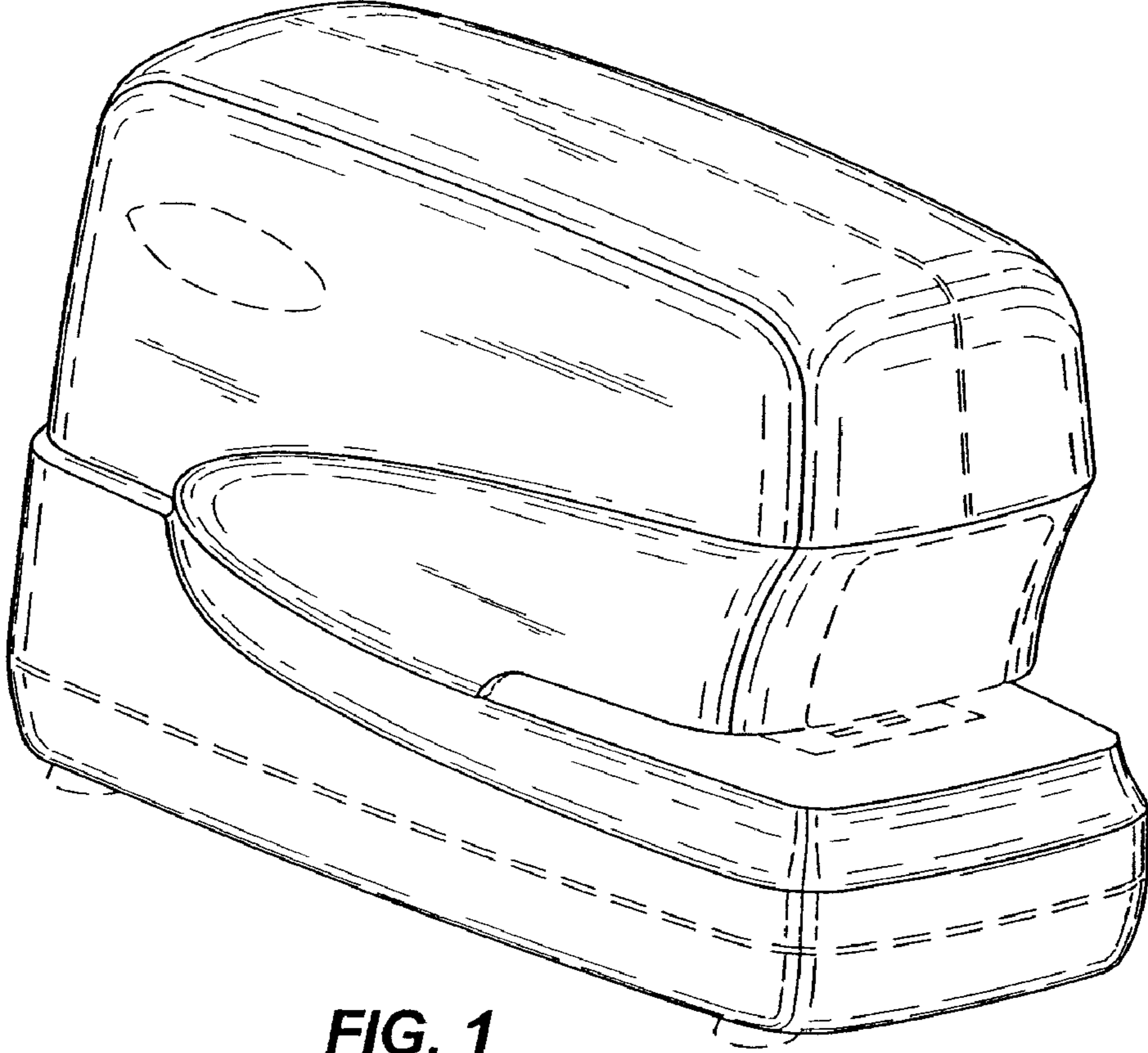


FIG. 1

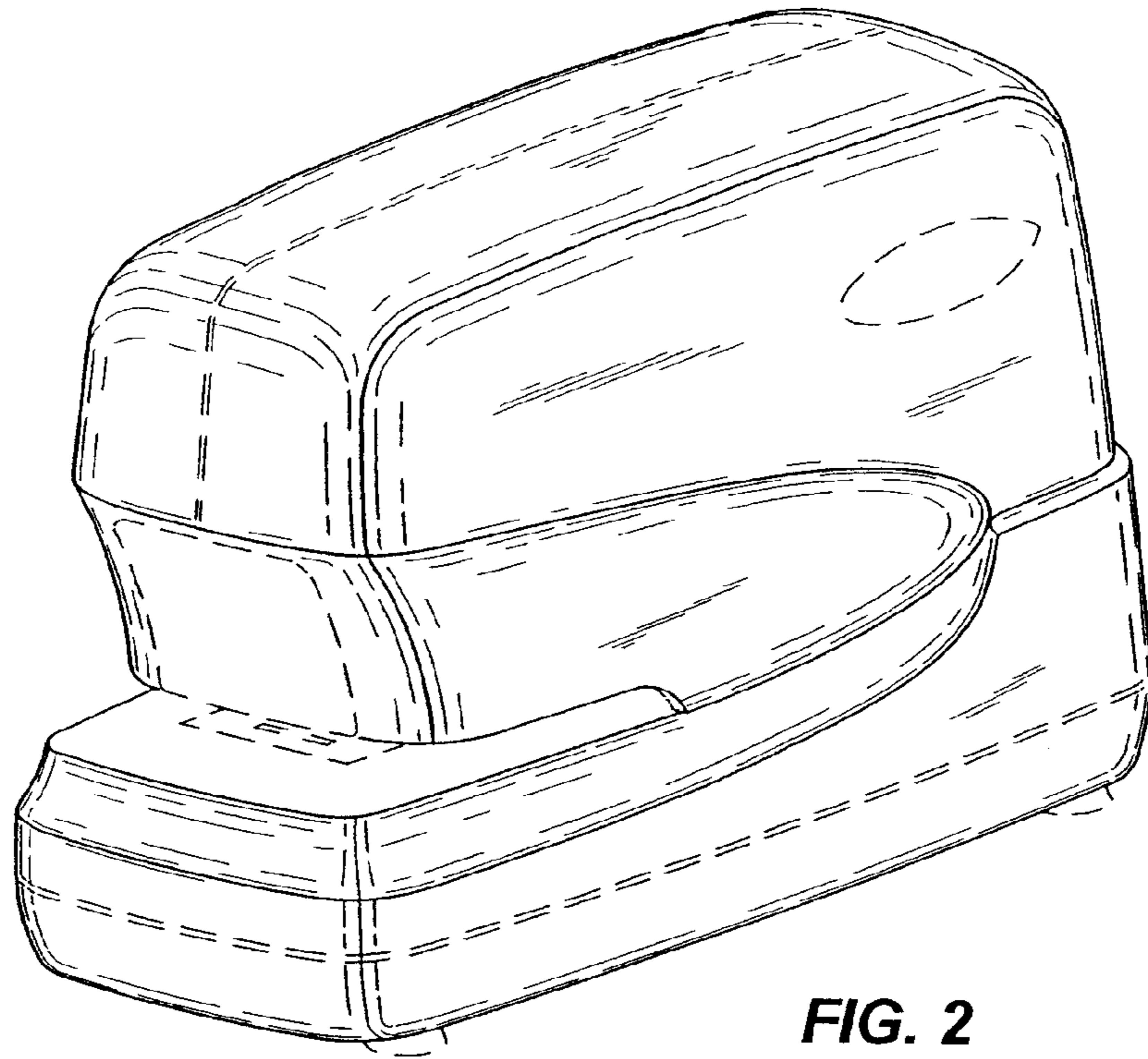


FIG. 2

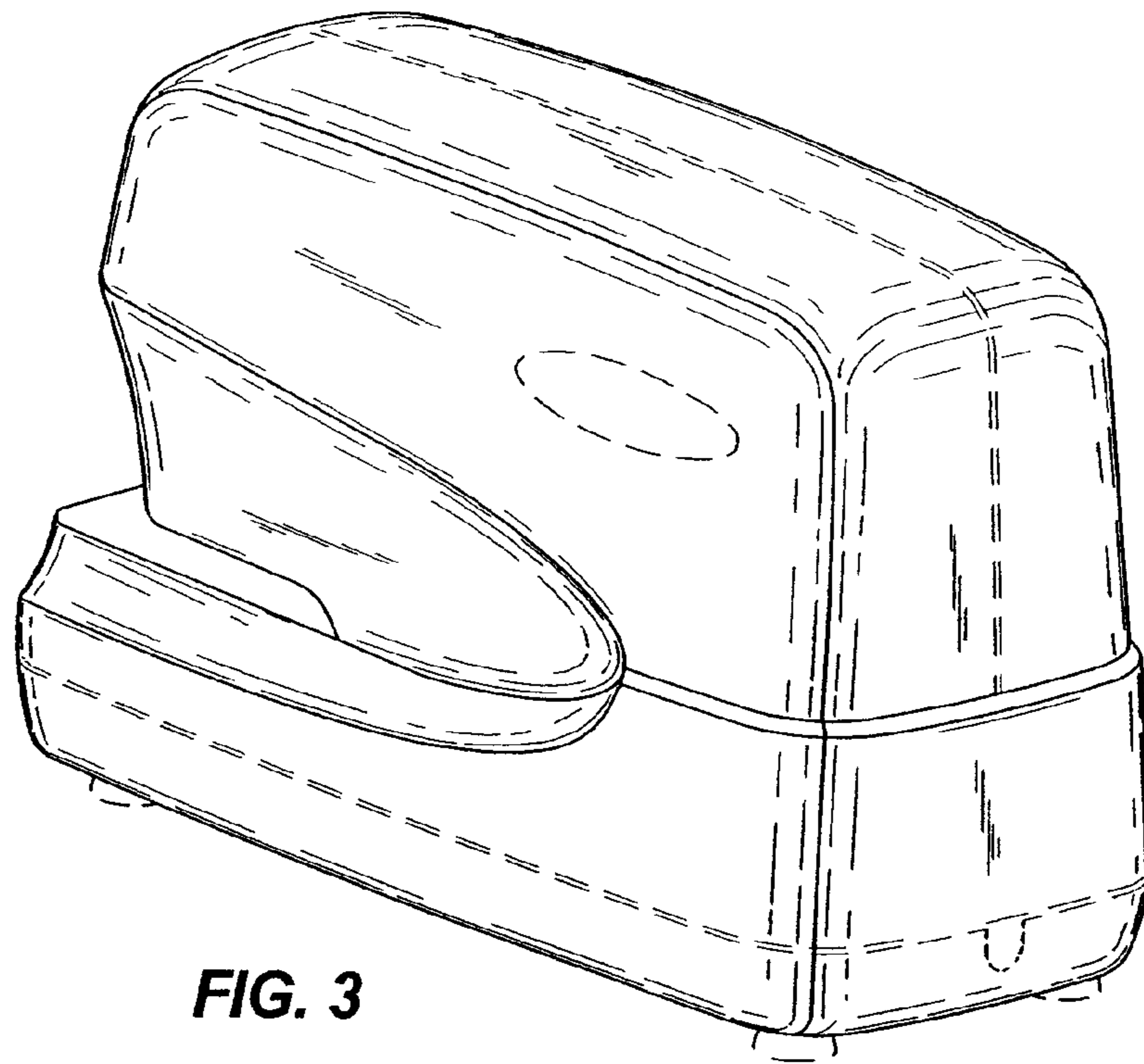


FIG. 3

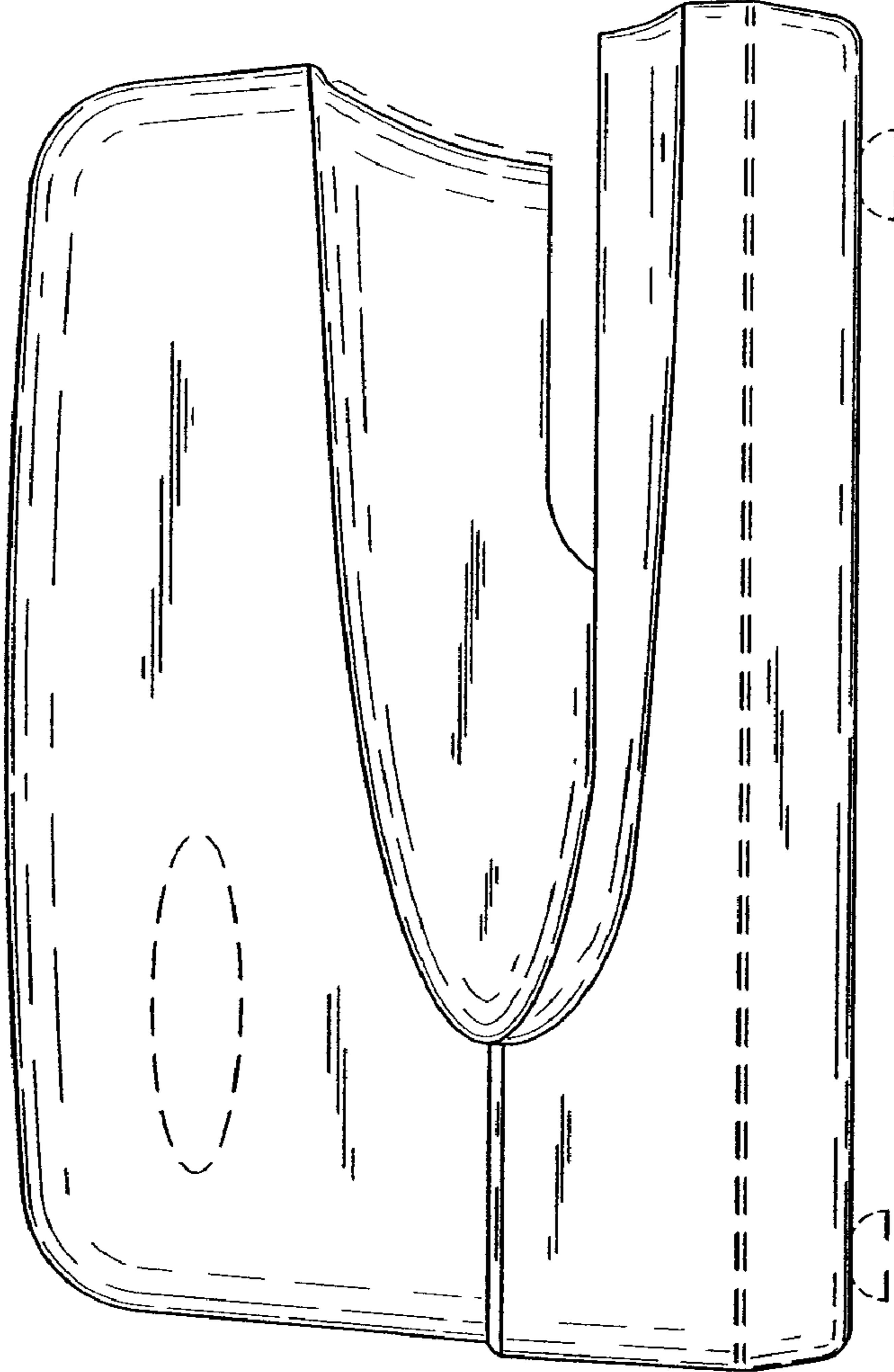


FIG. 4

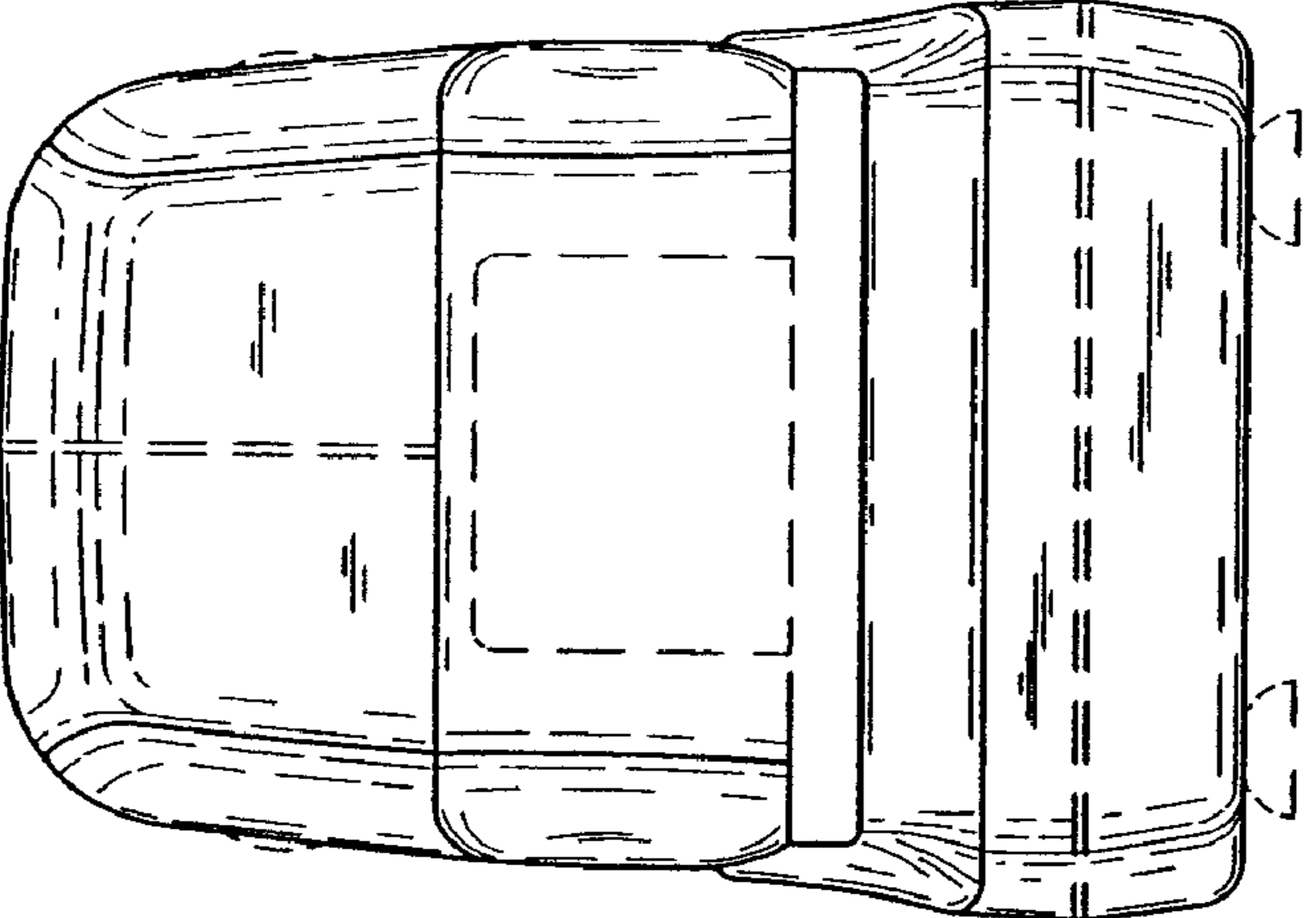


FIG. 5

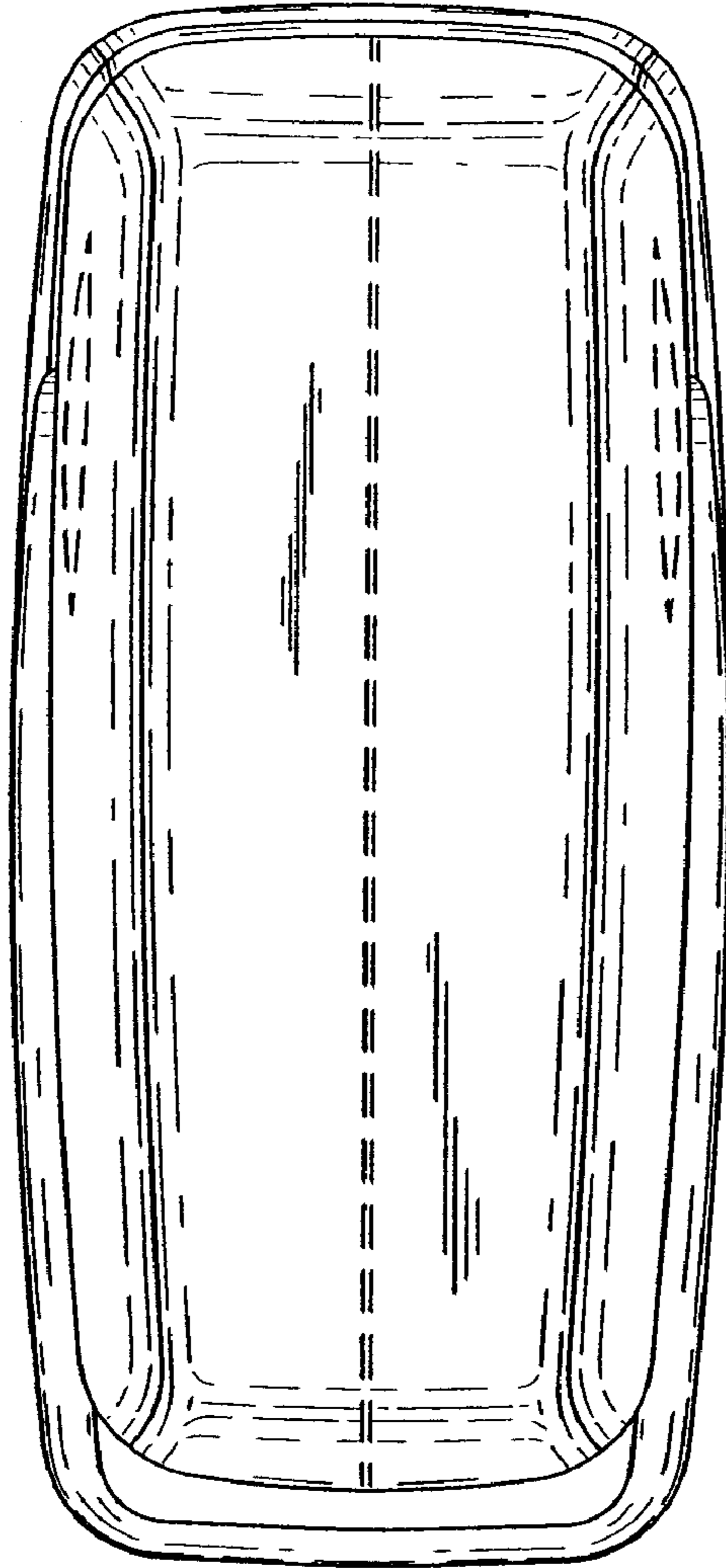


FIG. 6

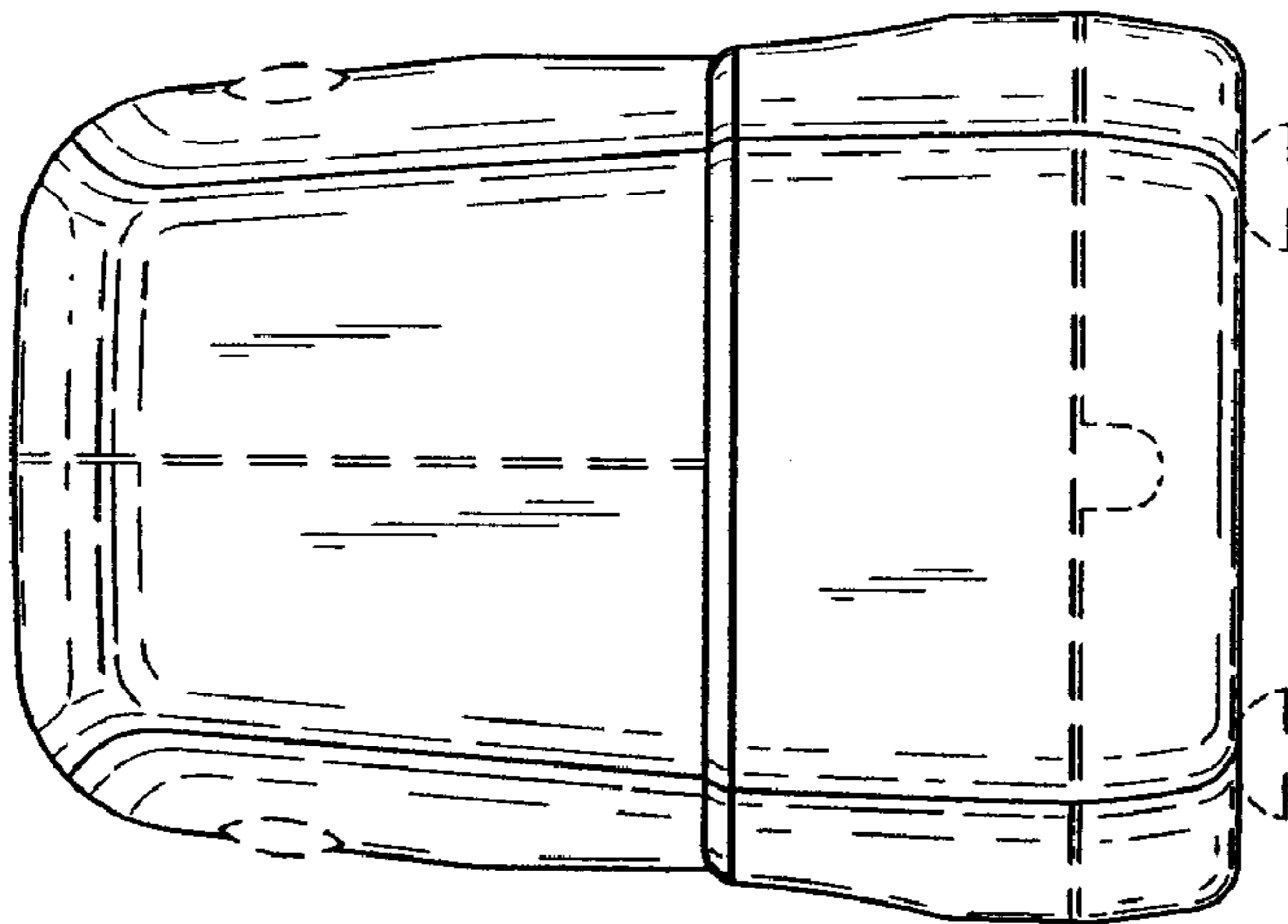


FIG. 7