



US00D512615S

(12) **United States Design Patent**  
**Kramer et al.**

(10) **Patent No.: US D512,615 S**  
(45) **Date of Patent: \*\* Dec. 13, 2005**

(54) **COMBINATION MINI-STAPLER**

(76) Inventors: **Jeffrey A. Kramer**, 1801 W. 27 St.,  
Miami Beach, FL (US) 33140; **William**  
**W. Rosenfeld**, 15959 NW. 15<sup>th</sup> Ave.,  
Miami, FL (US) 33169

(\*\*) Term: **14 Years**

(21) Appl. No.: **29/189,012**

(22) Filed: **Aug. 26, 2003**

**Related U.S. Application Data**

(63) Continuation-in-part of application No. 29/151,864, filed on  
Dec. 11, 2001, now Pat. No. Des. 478,797.

(51) **LOC (6) Cl.** ..... **19-02**

(52) **U.S. Cl.** ..... **D8/50; D8/104**

(58) **Field of Search** ..... D8/49, 50, 61,  
D8/104; D19/72; 227/120, 126, 127, 128,  
131, 132, 134, 156

(56) **References Cited**

**U.S. PATENT DOCUMENTS**

4,491,261 A	1/1985	Mitsubishi	
D330,666 S	* 11/1992	Chan	D8/50
D352,433 S	11/1994	Smith	
D353,316 S	* 12/1994	Schmidt et al.	D8/104
D384,259 S	* 9/1997	Smith	D8/50
5,690,268 A	* 11/1997	Evans et al.	227/156
5,720,062 A	* 2/1998	Vaught	7/160

D392,528 S	3/1998	Rossetto et al.	
D397,602 S	* 9/1998	Kim	D8/104
5,875,503 A	3/1999	Cheldin	
D413,239 S	* 8/1999	Lovegrove et al.	D8/50
D416,454 S	* 11/1999	Lovegrove et al.	D8/50
D437,754 S	* 2/2001	Jacquet	D8/50
6,286,745 B1	9/2001	Ackeret	
D478,797 S	8/2003	Kramer et al.	
D482,584 S	* 11/2003	Racamier	D8/50

**FOREIGN PATENT DOCUMENTS**

CA 2 059 833 A 7/1993

\* cited by examiner

*Primary Examiner*—Adir Aronovich

(74) *Attorney, Agent, or Firm*—Malloy & Malloy, P.A.

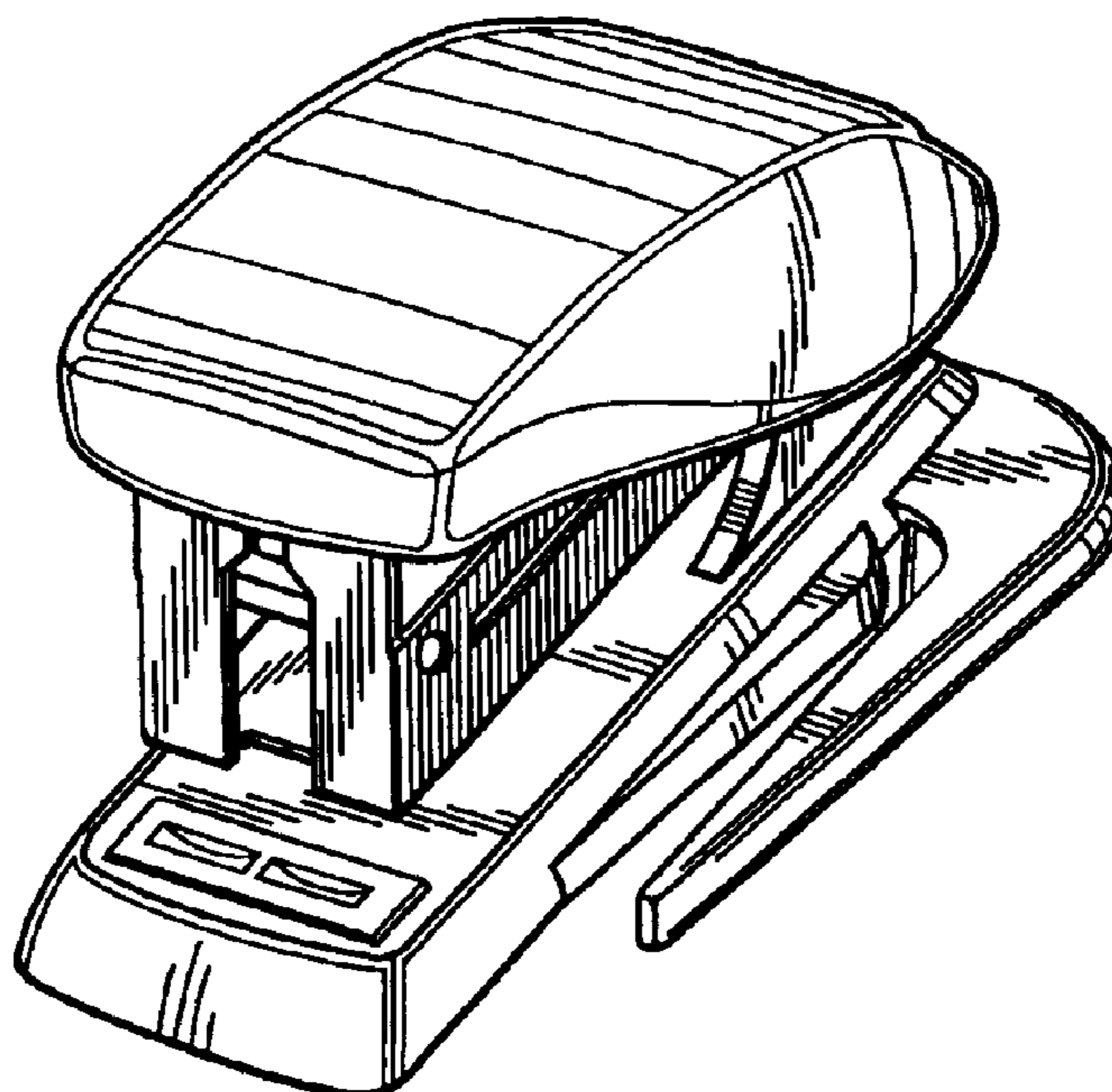
(57) **CLAIM**

The ornamental design for a combination mini-stapler, as shown and described.

**DESCRIPTION**

FIG. 1 is a front perspective view illustrating my design for a combination mini-stapler; FIG. 2 is a front view of my design; FIG. 3 is a left side view of my design; FIG. 4 is a top view of my design; FIG. 5 is a right side view of my design; FIG. 6 is a bottom view of my design; and, FIG. 7 is a rear view of my design.

**1 Claim, 2 Drawing Sheets**



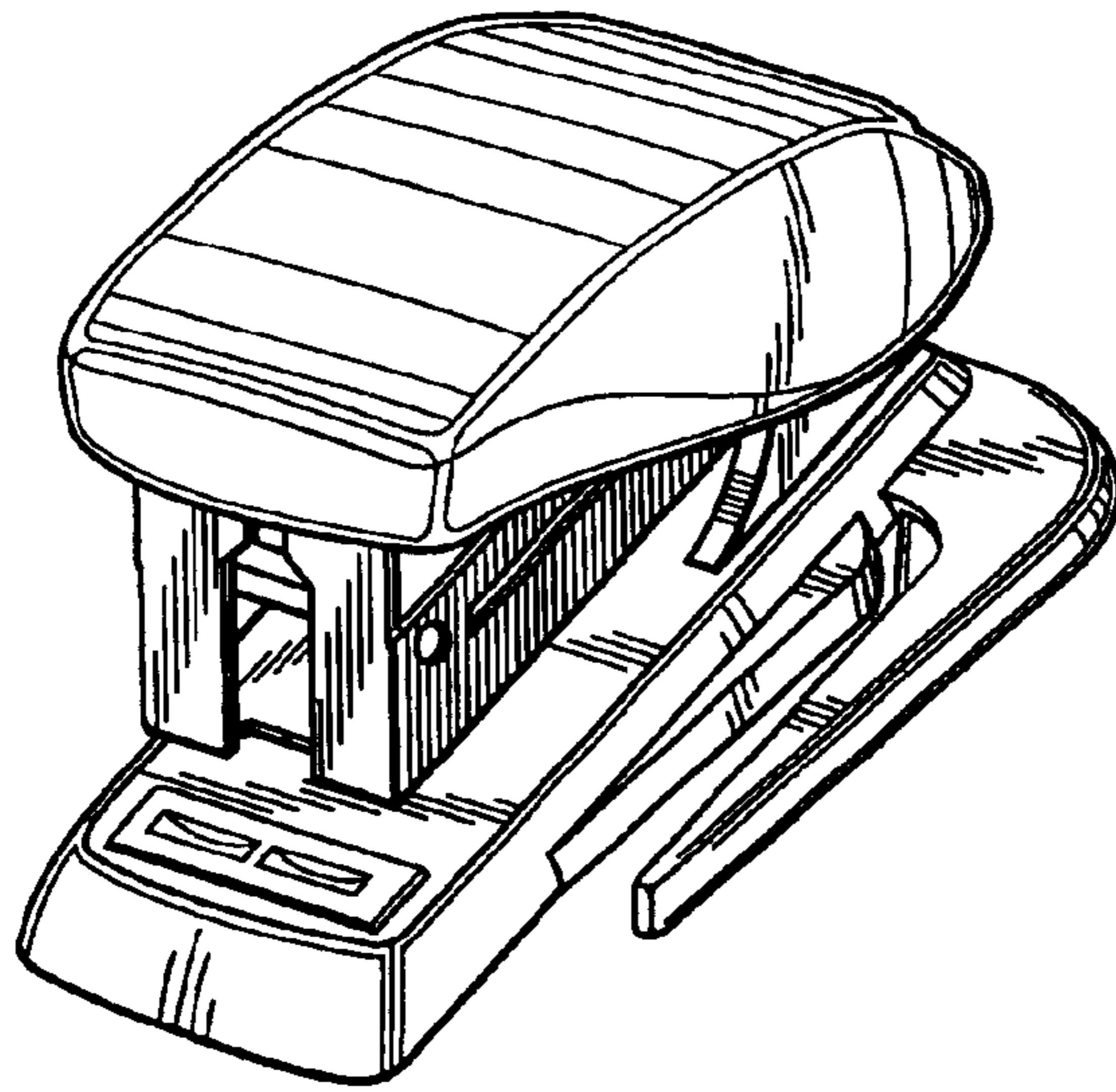


FIG. 1

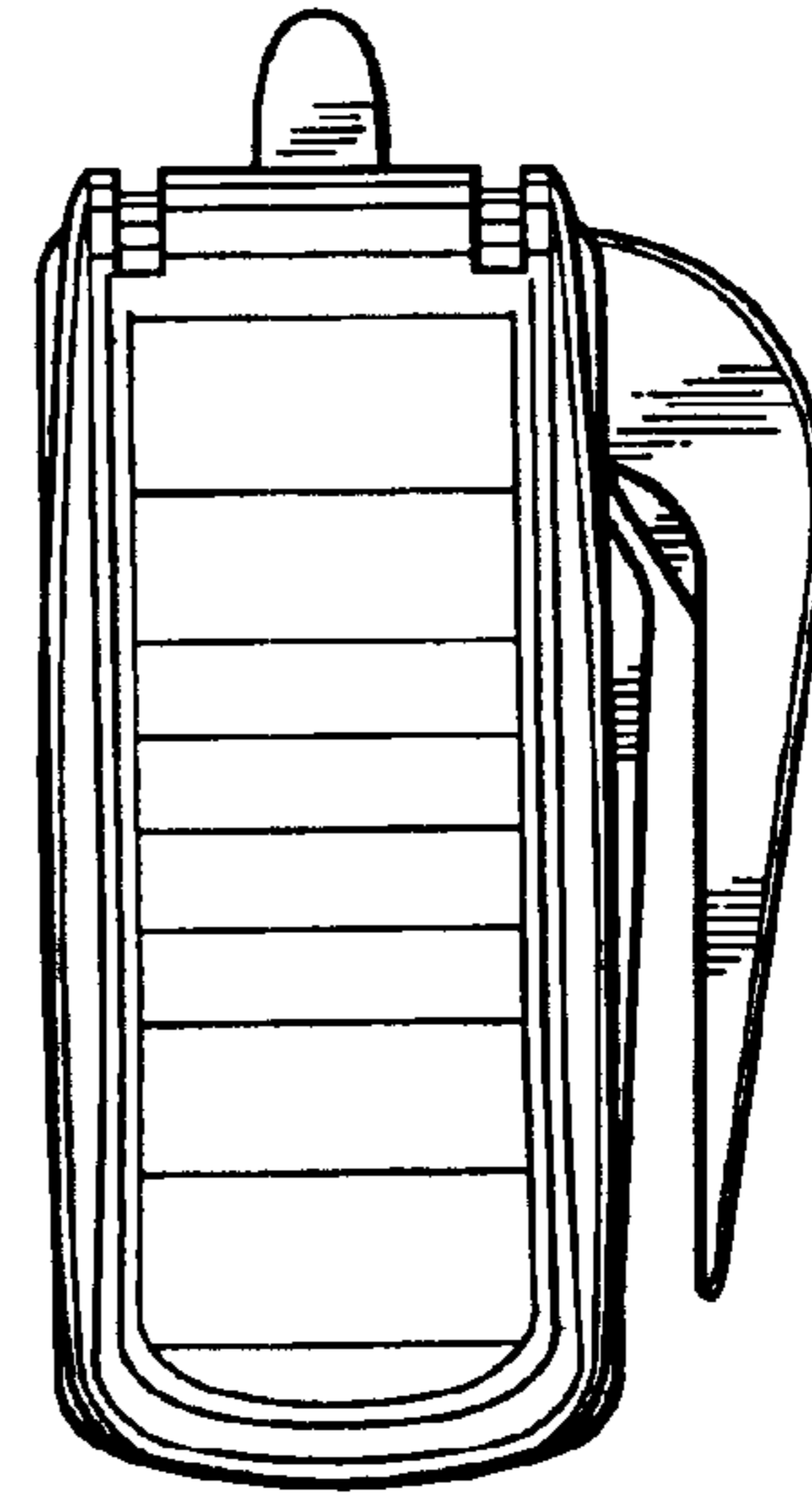


FIG. 4

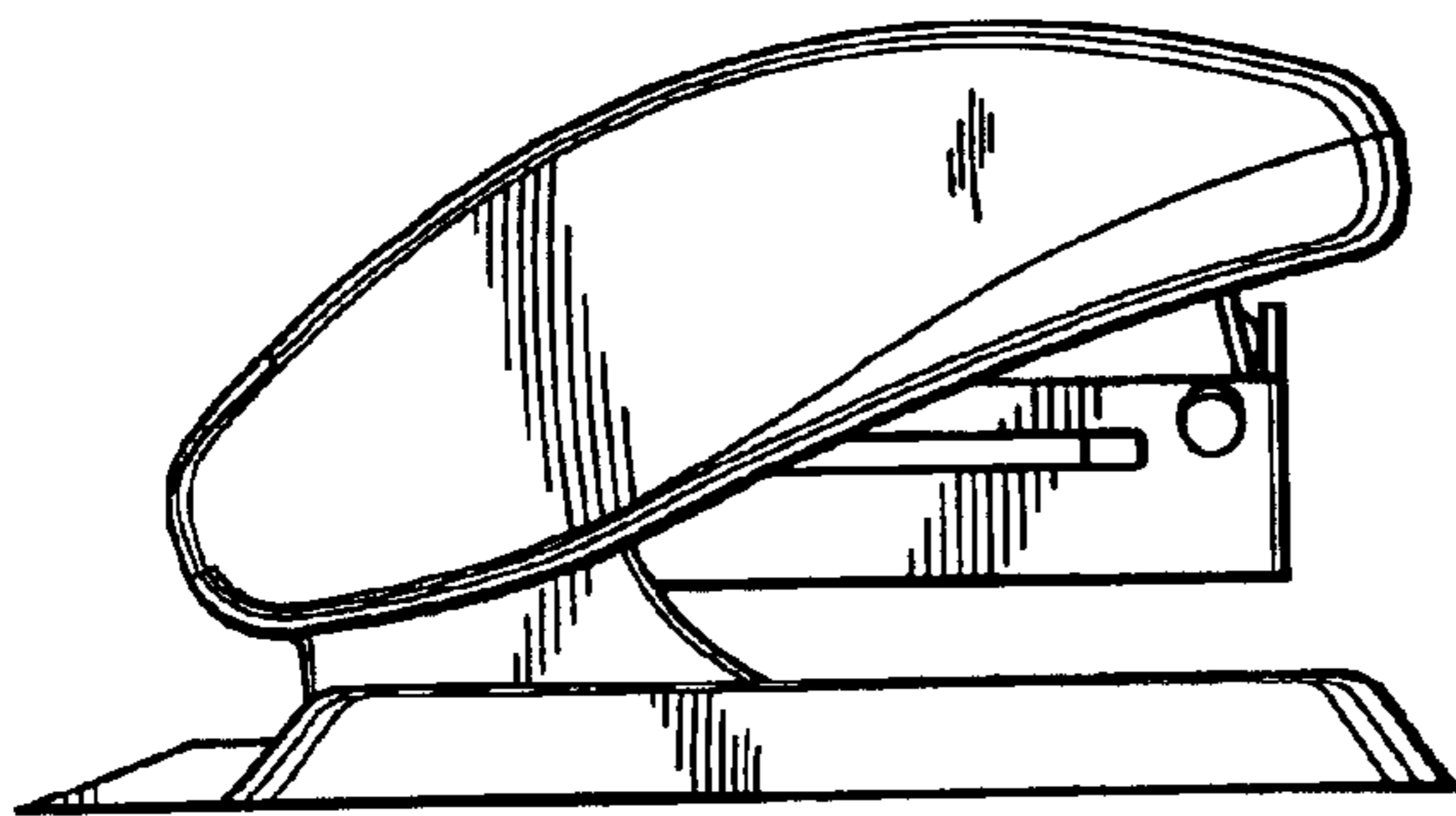


FIG. 3

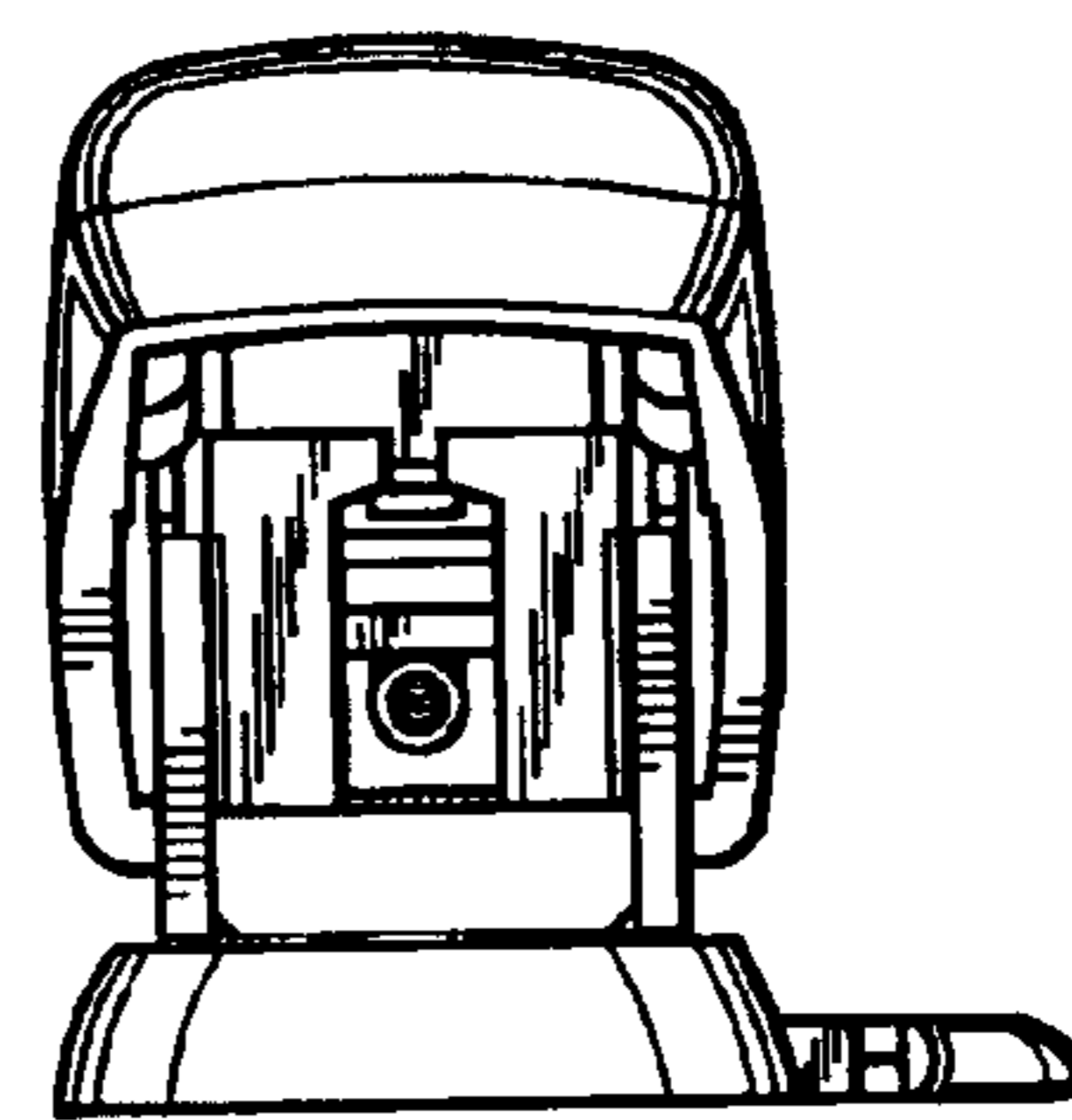


FIG. 2

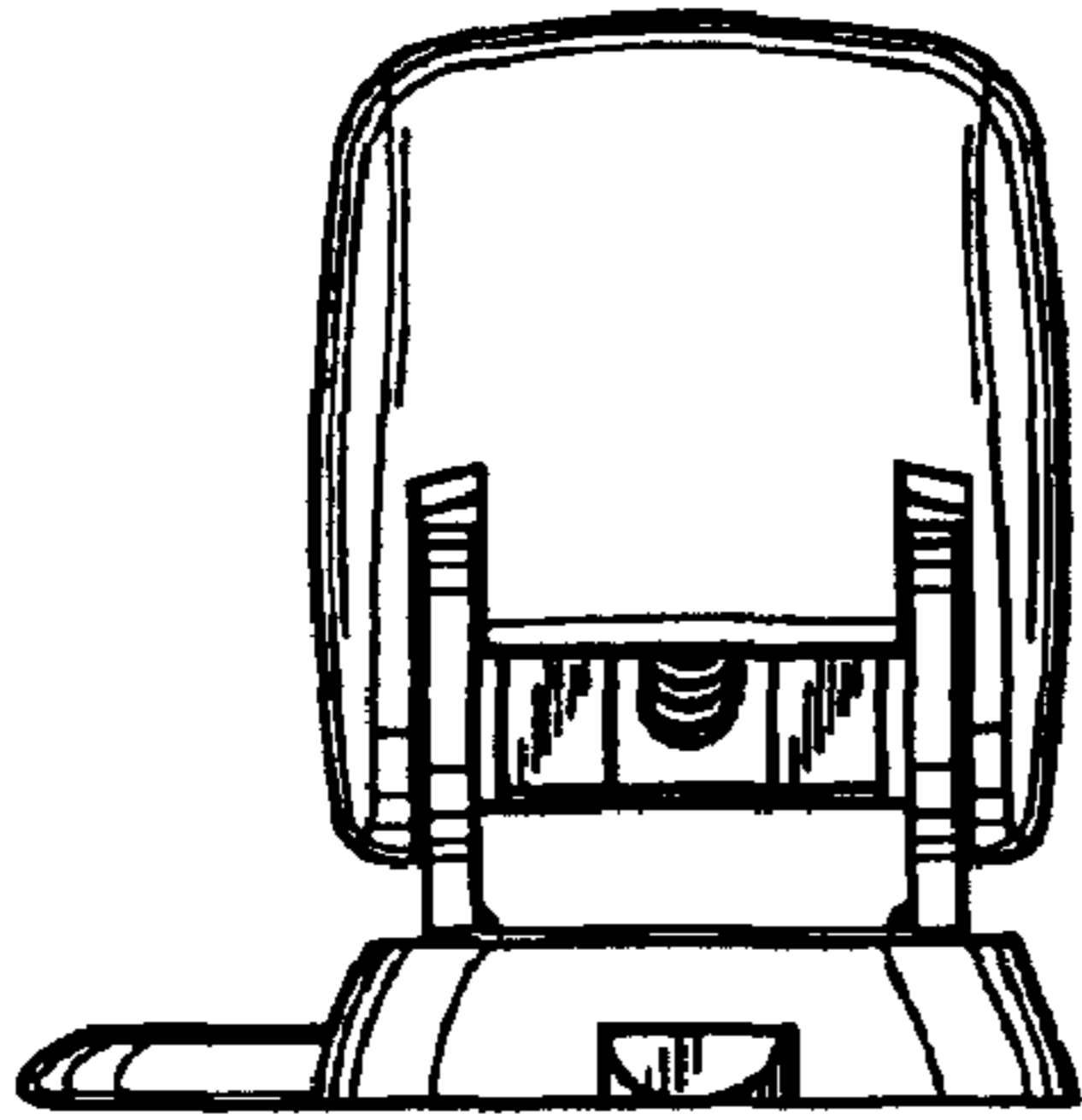


FIG. 7

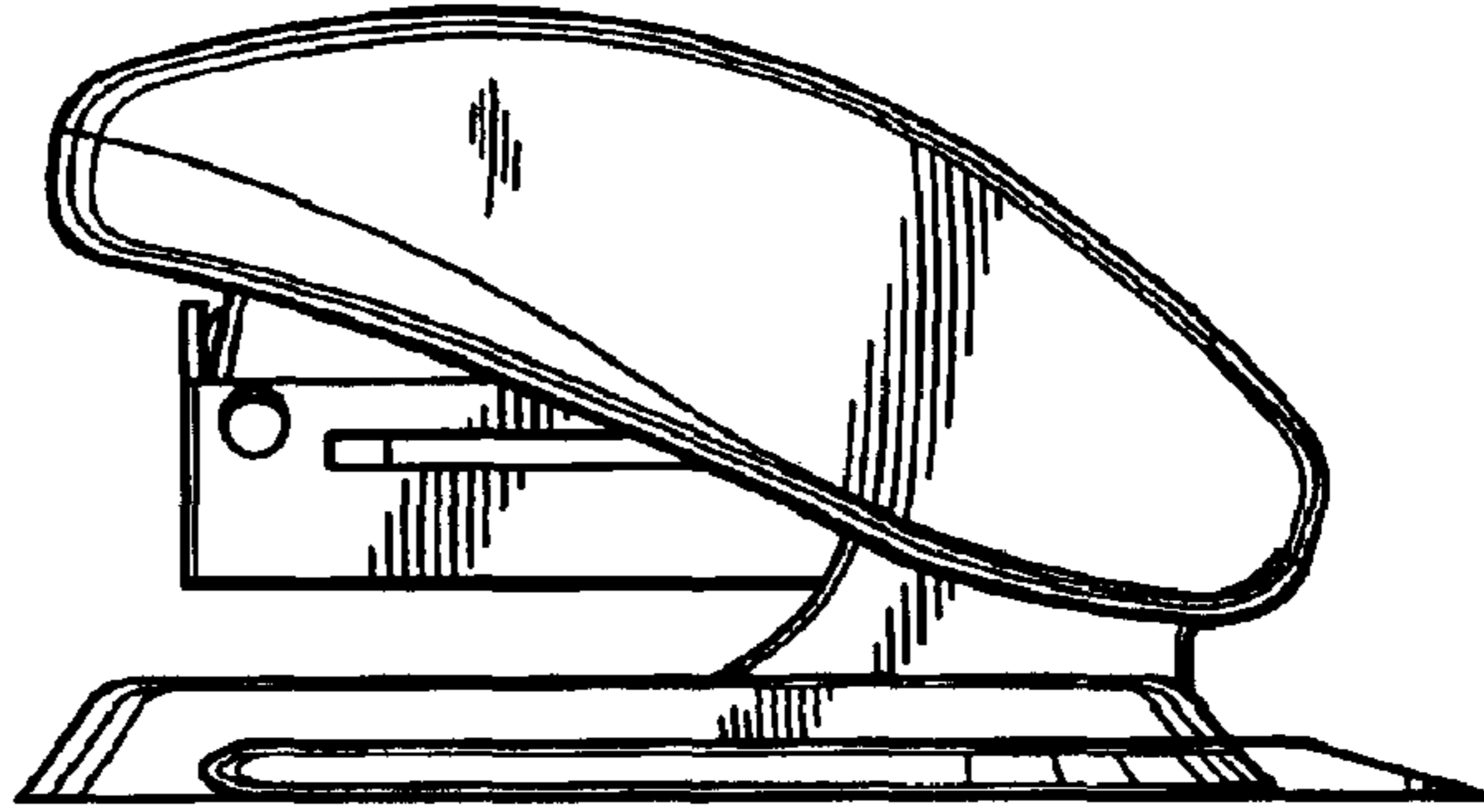


FIG. 5

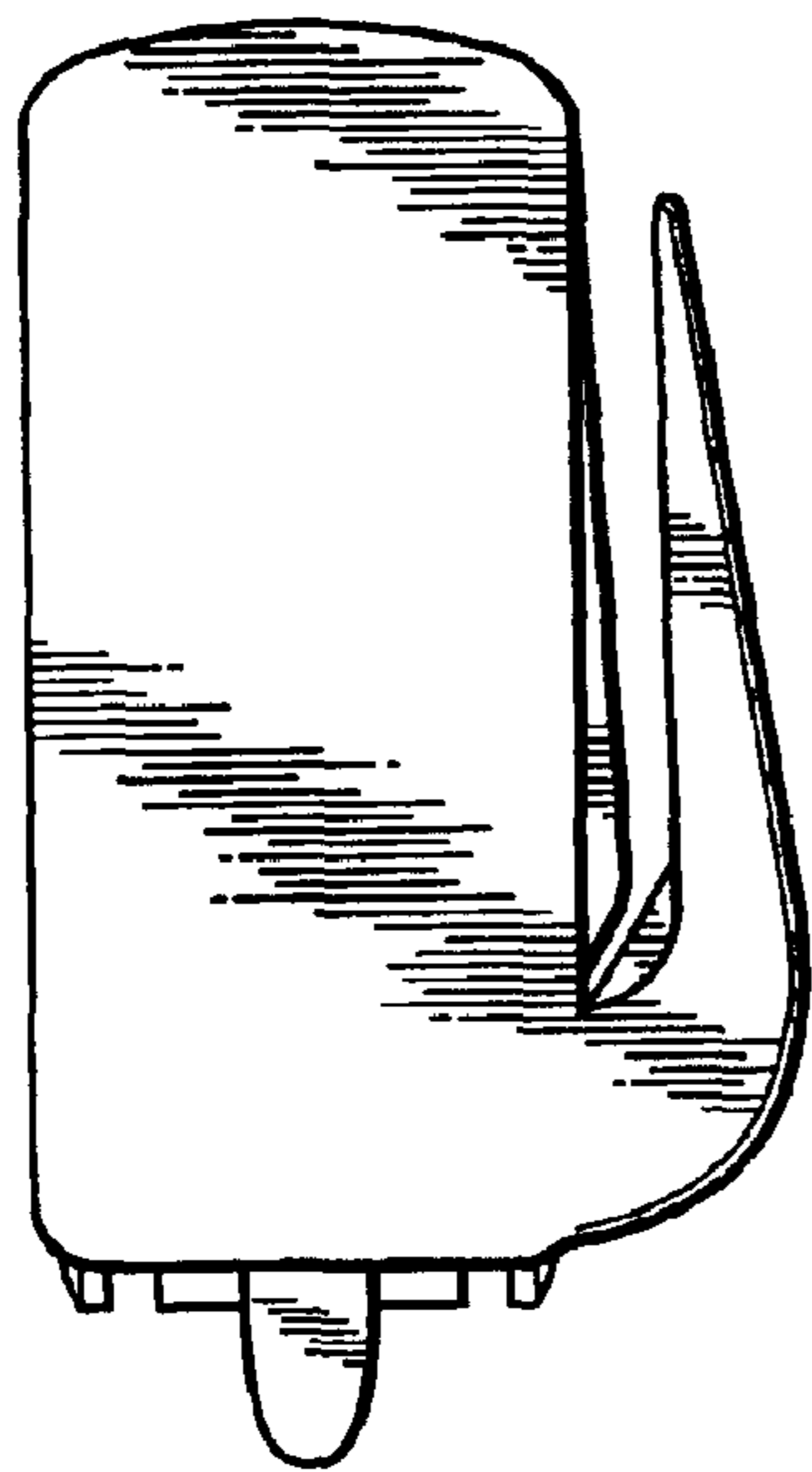


FIG. 6