



US00D512609S

(12) **United States Design Patent**  
**Kaposi**

(10) **Patent No.: US D512,609 S**

(45) **Date of Patent: \*\* Dec. 13, 2005**

(54) **SLICING TOOL**

(75) **Inventor: Sascha Kaposi, Tacoma, WA (US)**

(73) **Assignee: Progressive International, Corp.,  
Kent, WA (US)**

(\*\*) **Term: 14 Years**

(21) **Appl. No.: 29/217,057**

(22) **Filed: Nov. 12, 2004**

(51) **LOC (6) Cl. .... 07-04**

(52) **U.S. Cl. .... D7/672**

(58) **Field of Search ..... D7/672-677, 693,  
D7/381-385; 99/537; 83/167, 597, 605,  
417, 423, 648, 651.1, 857, 858, 436.2,  
425.3, 932**

(56) **References Cited**

**U.S. PATENT DOCUMENTS**

D320,912 S \* 10/1991 Holcomb ..... D7/672  
5,692,424 A \* 12/1997 Wallace ..... 83/167  
D443,800 S \* 6/2001 Weterrings ..... D7/673

6,805,032 B2 10/2004 Engdahl  
D499,615 S 12/2004 Nordgren  
2004/0055437 A1 3/2004 Engdahl

**FOREIGN PATENT DOCUMENTS**

WO WO 02064331 A1 8/2002

\* cited by examiner

*Primary Examiner*—Terry A. Wallace

(74) *Attorney, Agent, or Firm*—Black Lowe & Graham  
PLLC

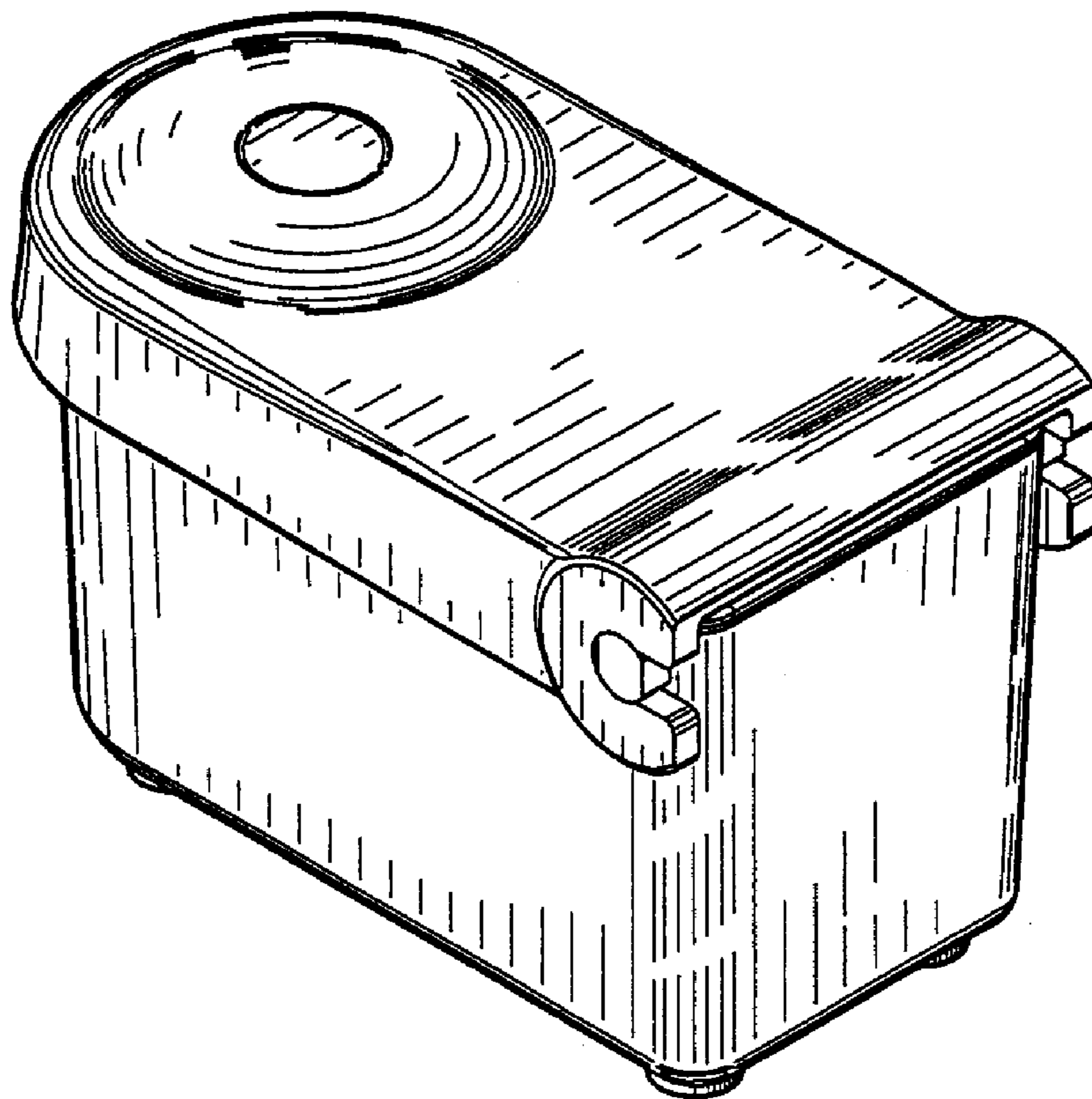
(57) **CLAIM**

I claim the ornamental design for the slicing tool, as shown.

**DESCRIPTION**

FIG. 1 is a top view of the slicing tool;  
FIG. 2 is a front view of the slicing tool;  
FIG. 3 is a back view of the slicing tool;  
FIG. 4 is a bottom view of the slicing tool;  
FIG. 5 is a right side view of the slicing tool;  
FIG. 6 is a left side view of the slicing tool; and,  
FIG. 7 is a perspective view of the slicing tool.

**1 Claim, 3 Drawing Sheets**



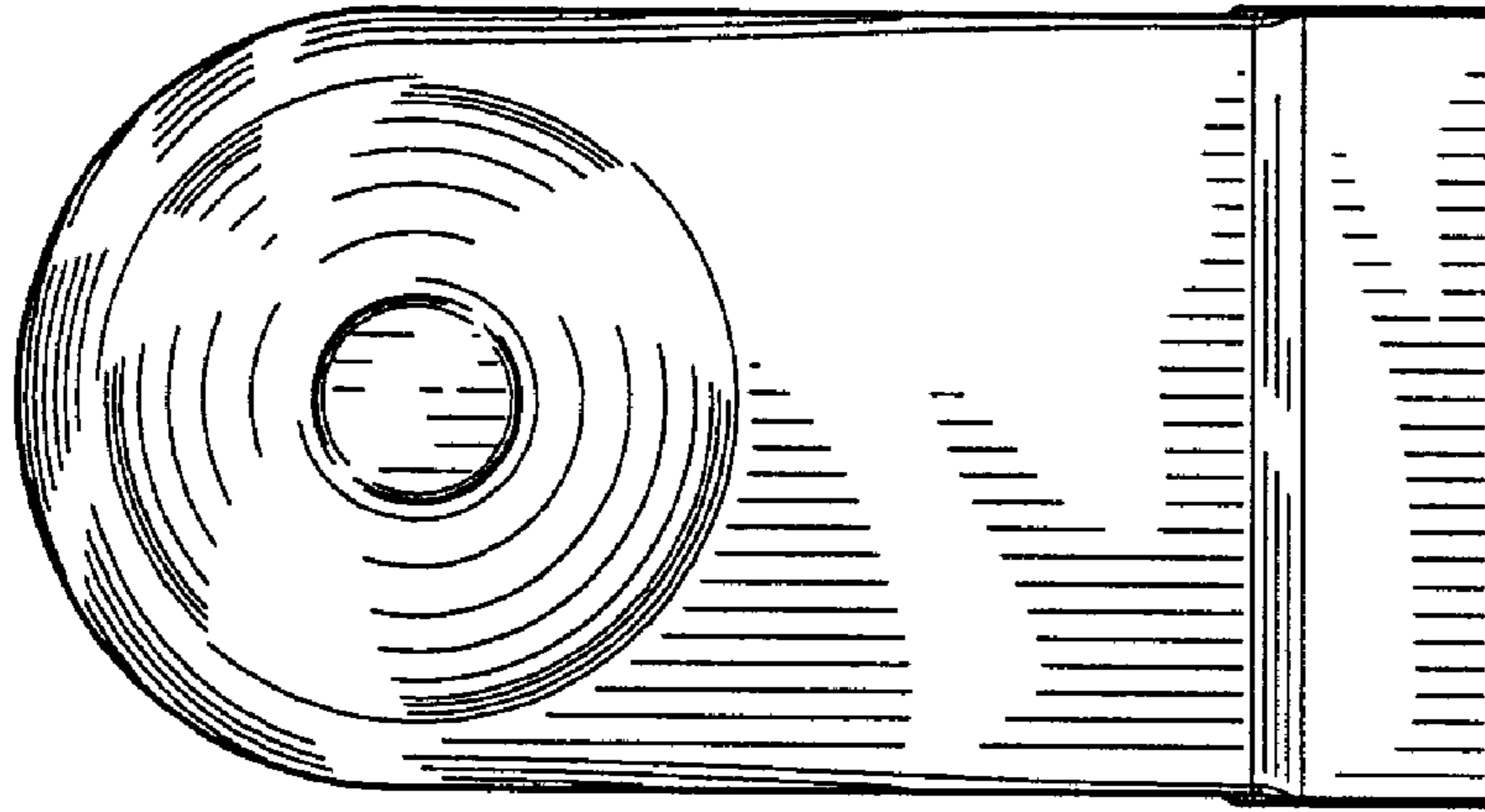


FIG. 1

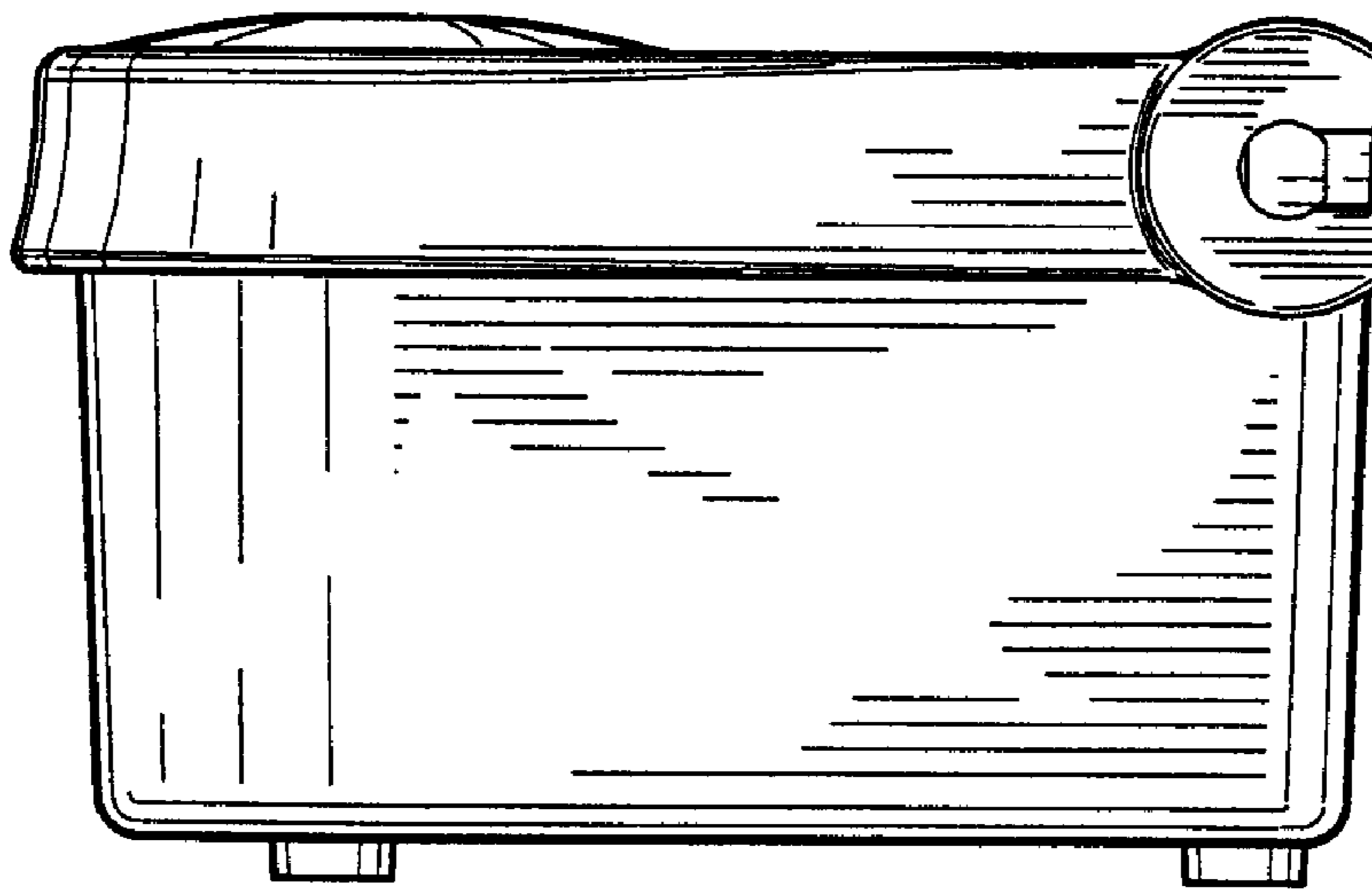


FIG. 2

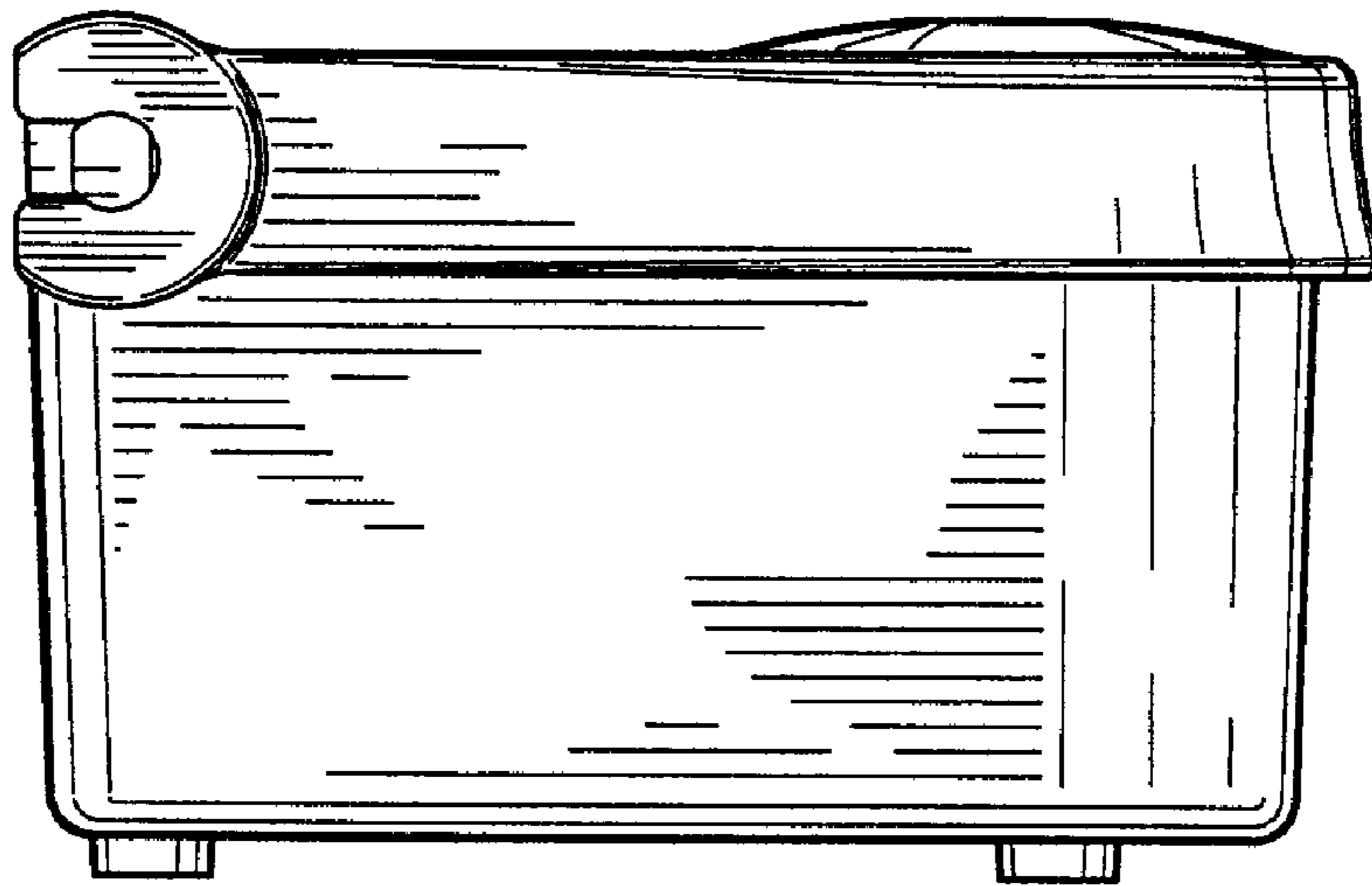


FIG. 3

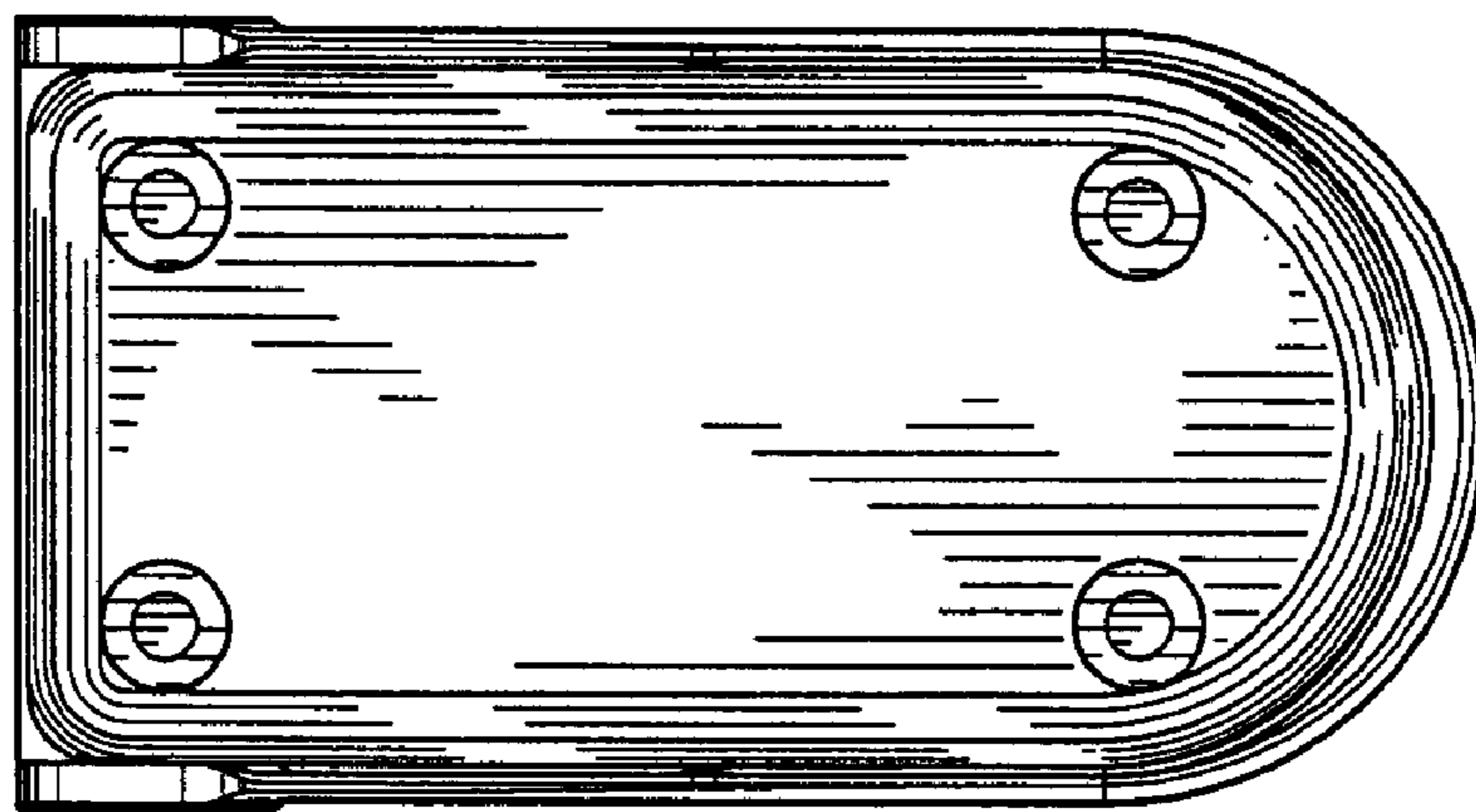


FIG. 4

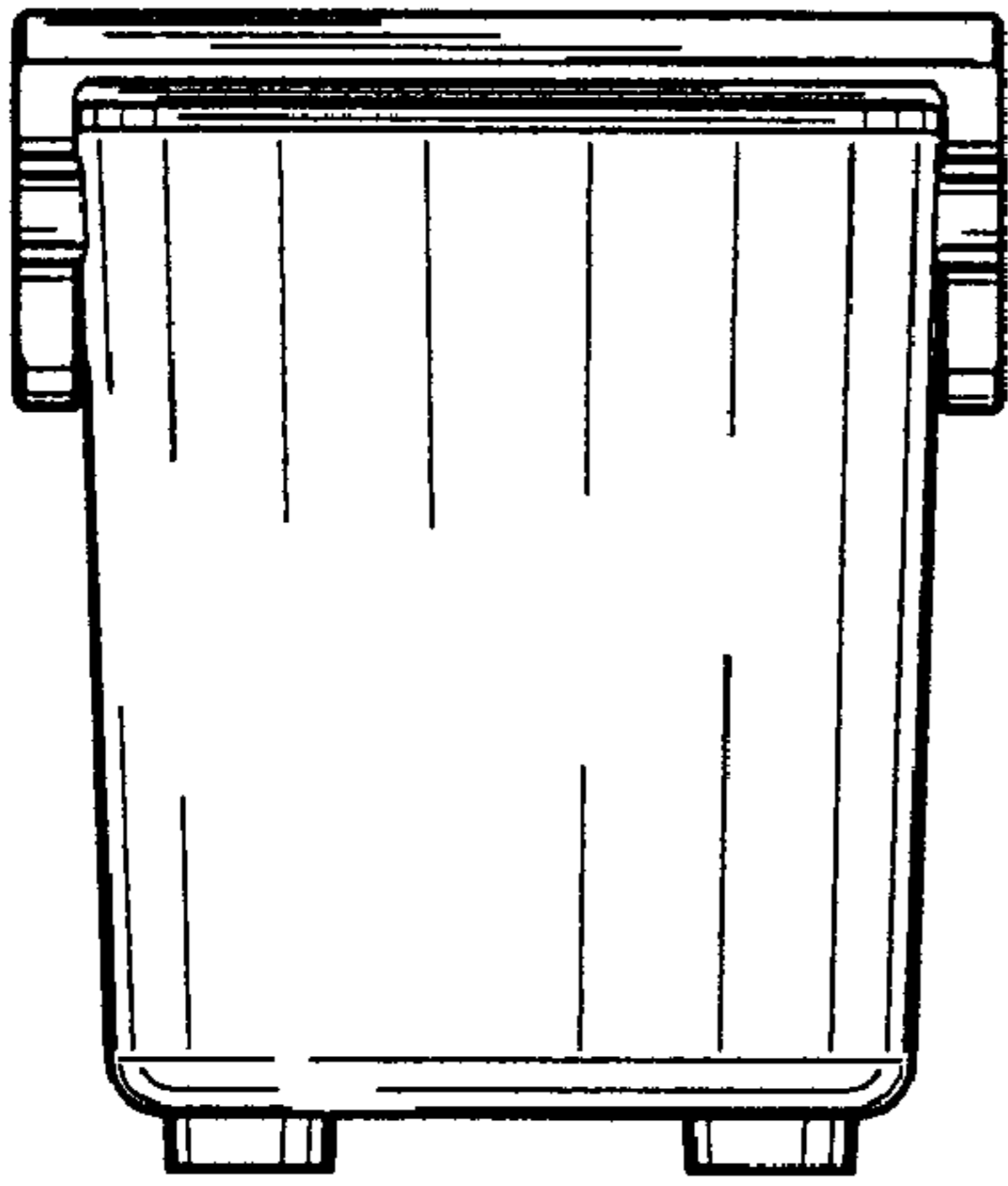


FIG. 5

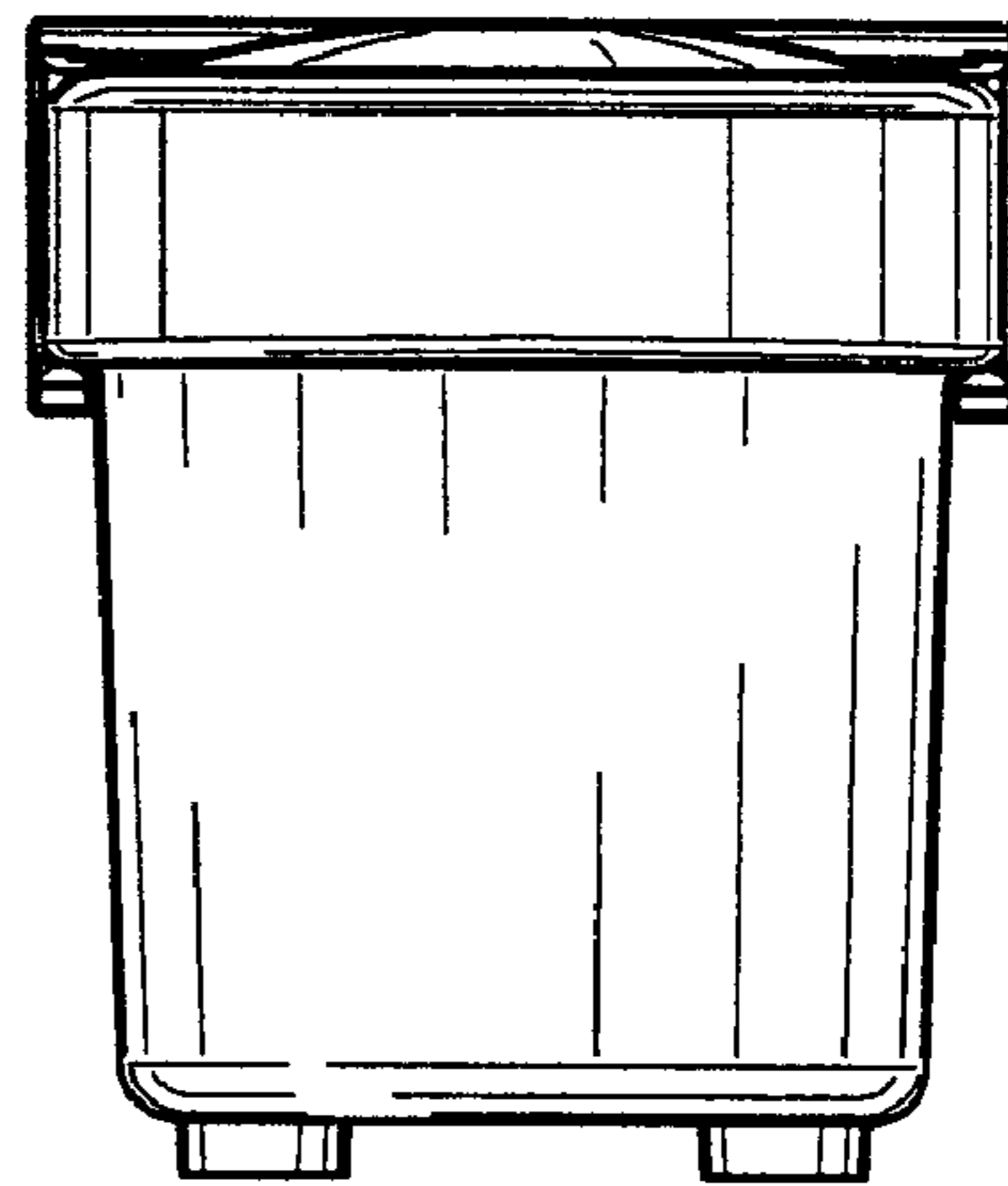


FIG. 6

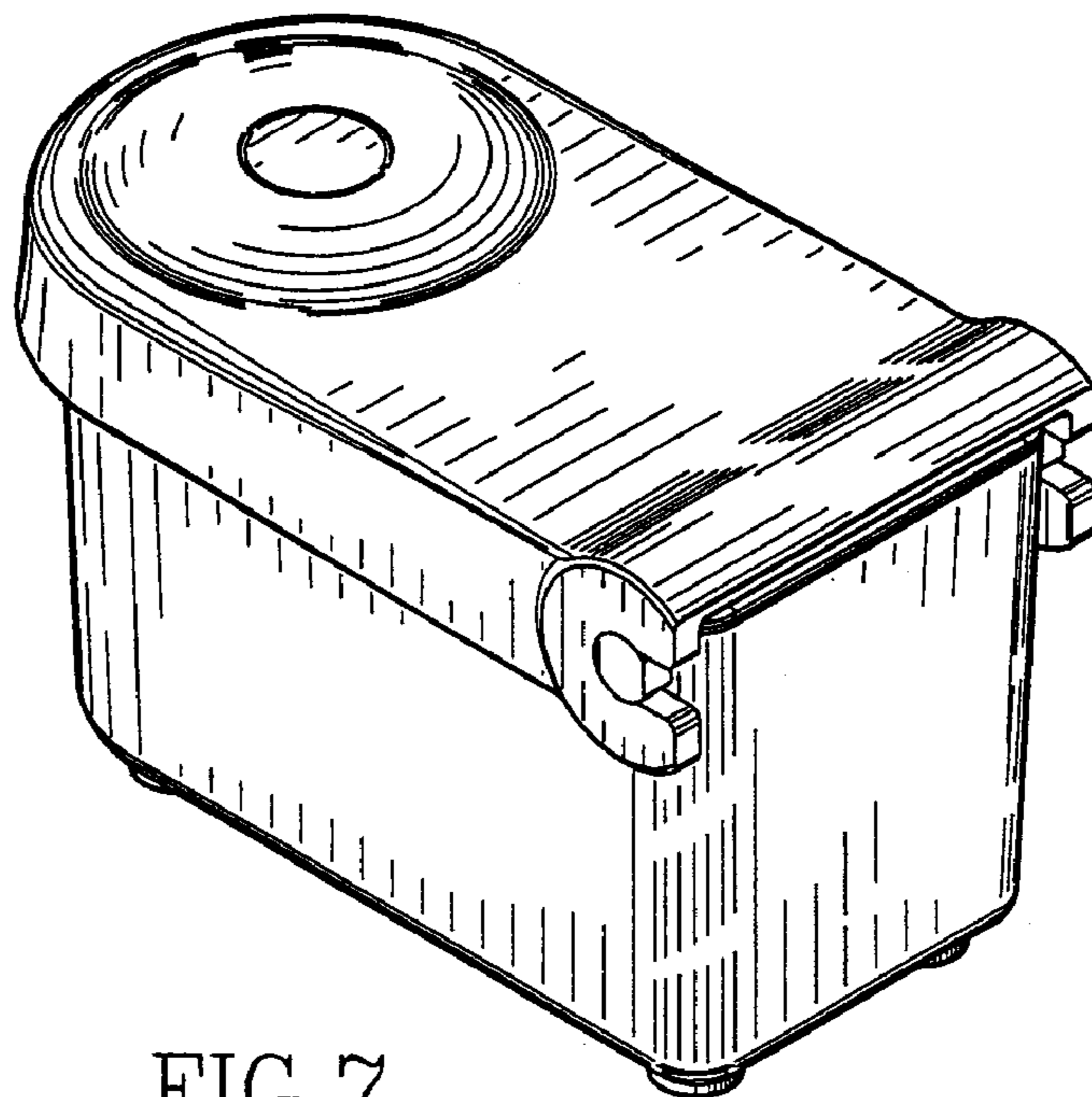


FIG. 7