



US00D512608S

(12) **United States Design Patent**
Gutierrez

(10) **Patent No.:** **US D512,608 S**

(45) **Date of Patent:** **** Dec. 13, 2005**

(54) **TUNA SQUEEZER**

D444,357 S * 7/2001 Meer et al. D7/666
6,561,084 B2 * 5/2003 Lane 99/508

(76) **Inventor:** **Jeffery D. Gutierrez**, 9895 Florida
Blvd., Suite 2, Baton Rouge, LA (US)
70815

* cited by examiner

(**) **Term:** **14 Years**

Primary Examiner—Terry A. Wallace
(74) *Attorney, Agent, or Firm*—Wood, Herron & Evans,
LLP

(21) **Appl. No.:** **29/217,239**

(57) **CLAIM**

(22) **Filed:** **Nov. 15, 2004**

The ornamental design for a tuna squeezer, as shown and
described.

(51) **LOC (6) Cl.** **07-04**

(52) **U.S. Cl.** **D7/666**

(58) **Field of Search** D7/665–668, 686;
99/495, 501–513; 100/110, 113, 116, 213,
234, 243

DESCRIPTION

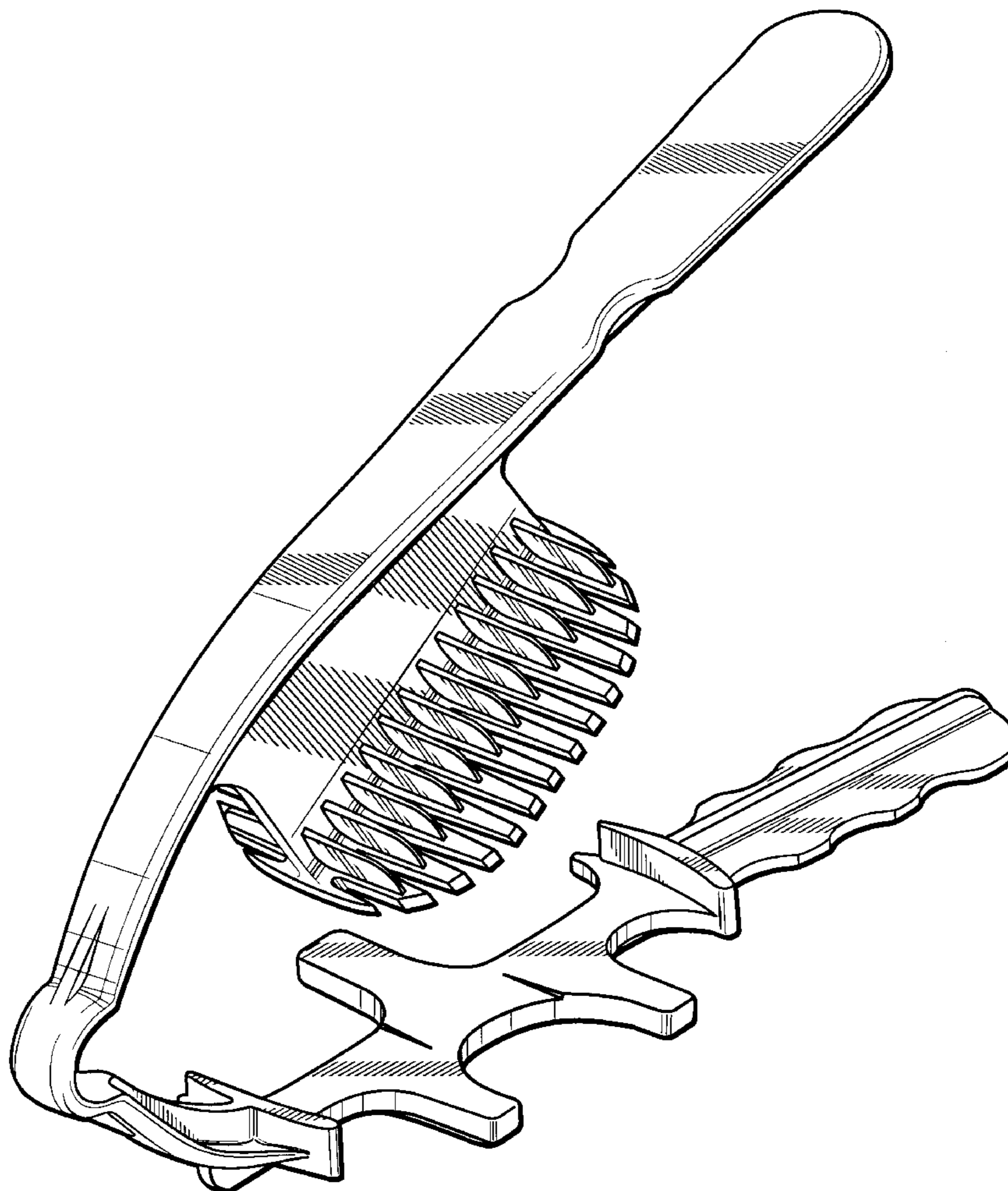
FIG. 1 is a perspective view of a tuna squeezer showing my
design;
FIG. 2 is a front elevational view thereof;
FIG. 3 is a rear elevational view thereof;
FIG. 4 is a left side elevational view thereof;
FIG. 5 is a right elevational view thereof.
FIG. 6 is a top plan view thereof; and,
FIG. 7 is a bottom plan view thereof.

(56) **References Cited**

U.S. PATENT DOCUMENTS

5,272,969 A * 12/1993 McDonald 100/110
6,092,460 A * 7/2000 Engelhardt 99/495
6,112,650 A * 9/2000 Mazzaccaro 100/110
6,227,104 B1 * 5/2001 Watkins, Jr. 100/110

1 Claim, 5 Drawing Sheets



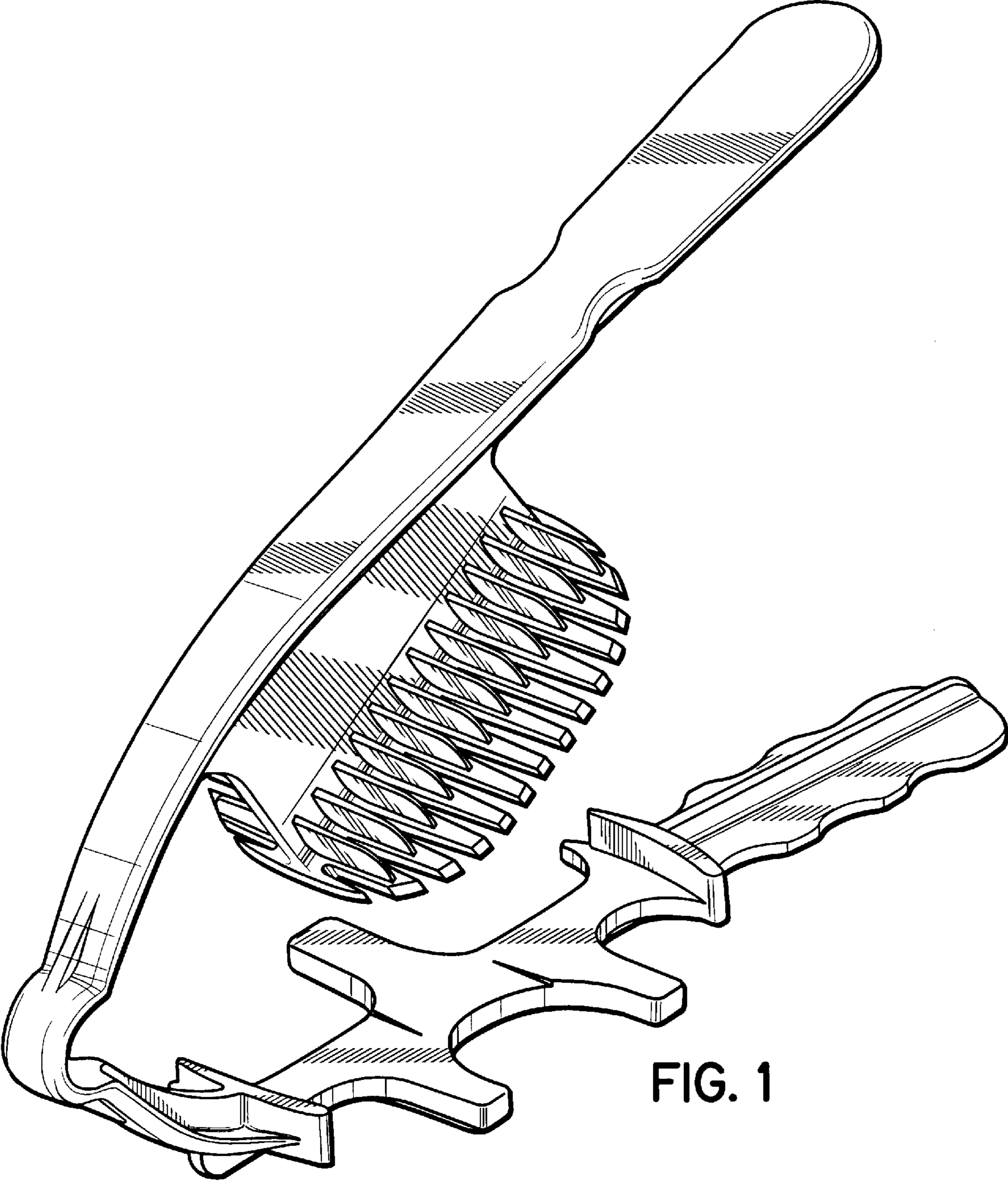


FIG. 1

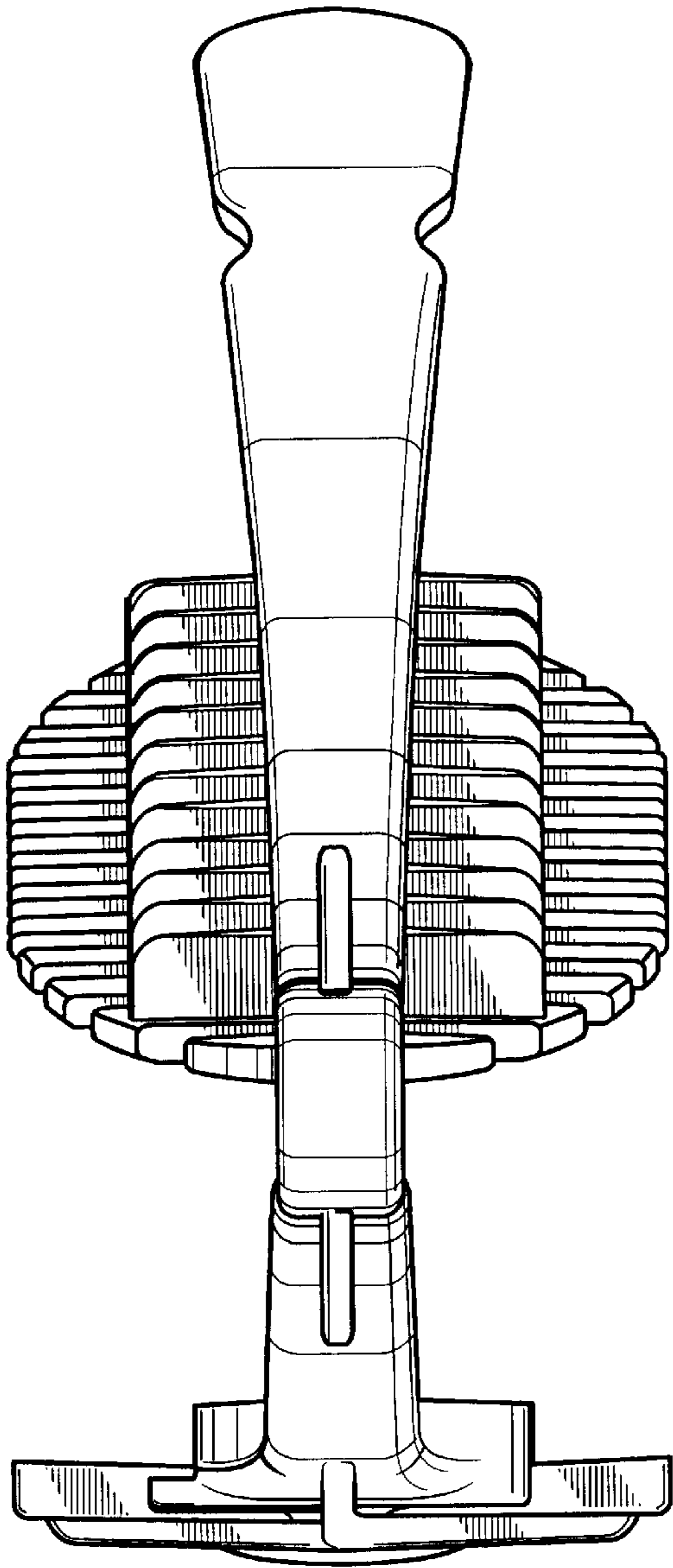


FIG. 2

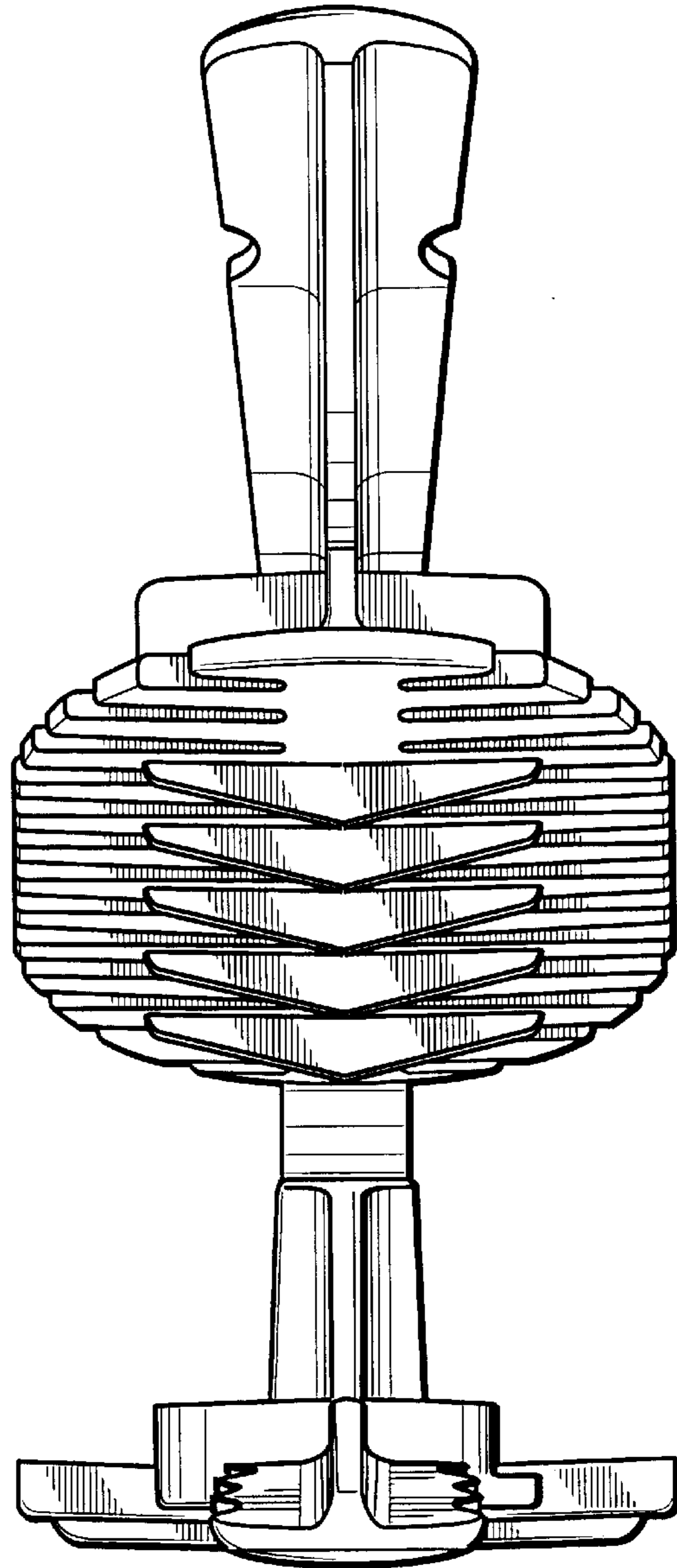


FIG. 3

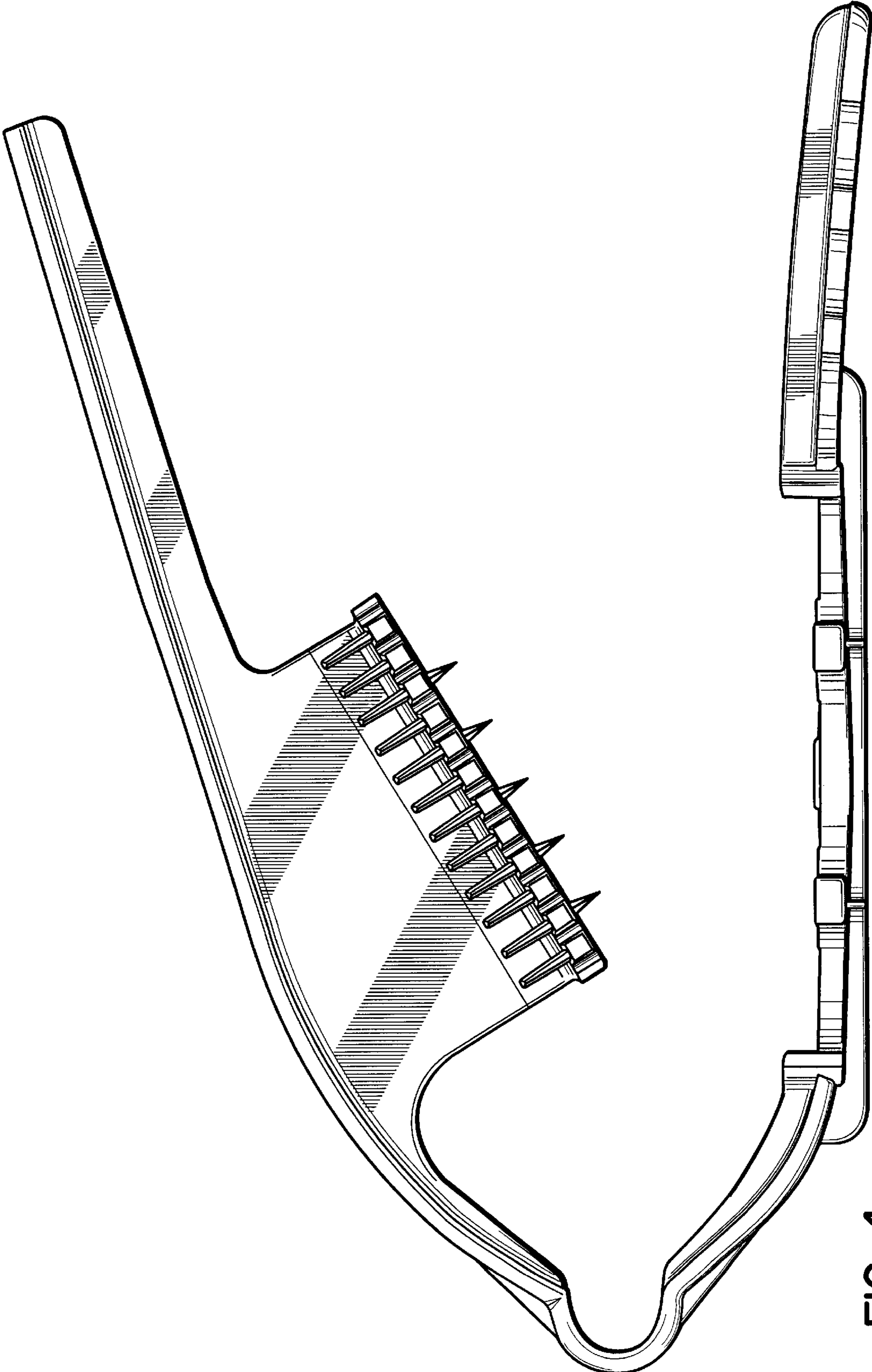


FIG. 4

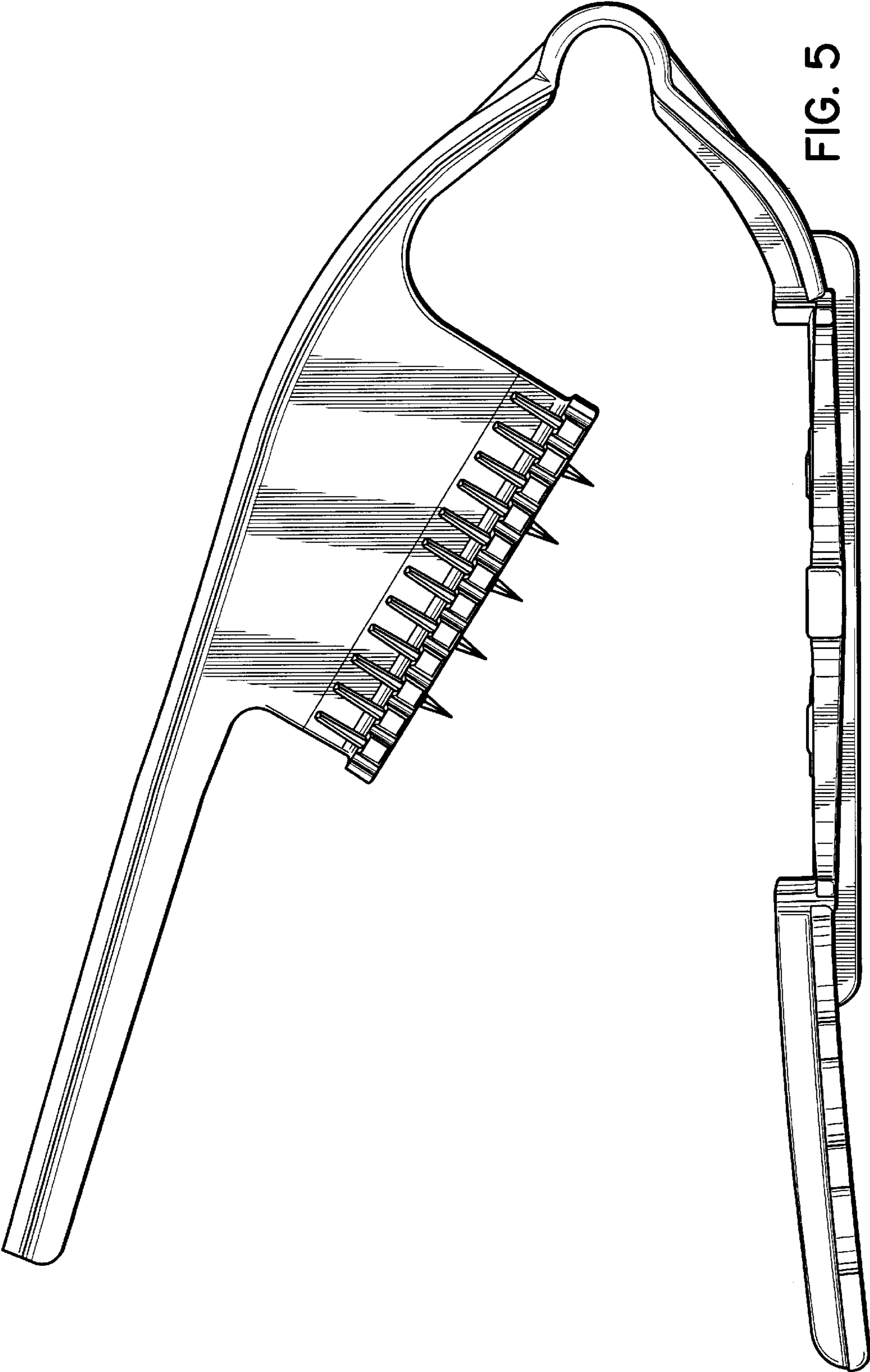


FIG. 5

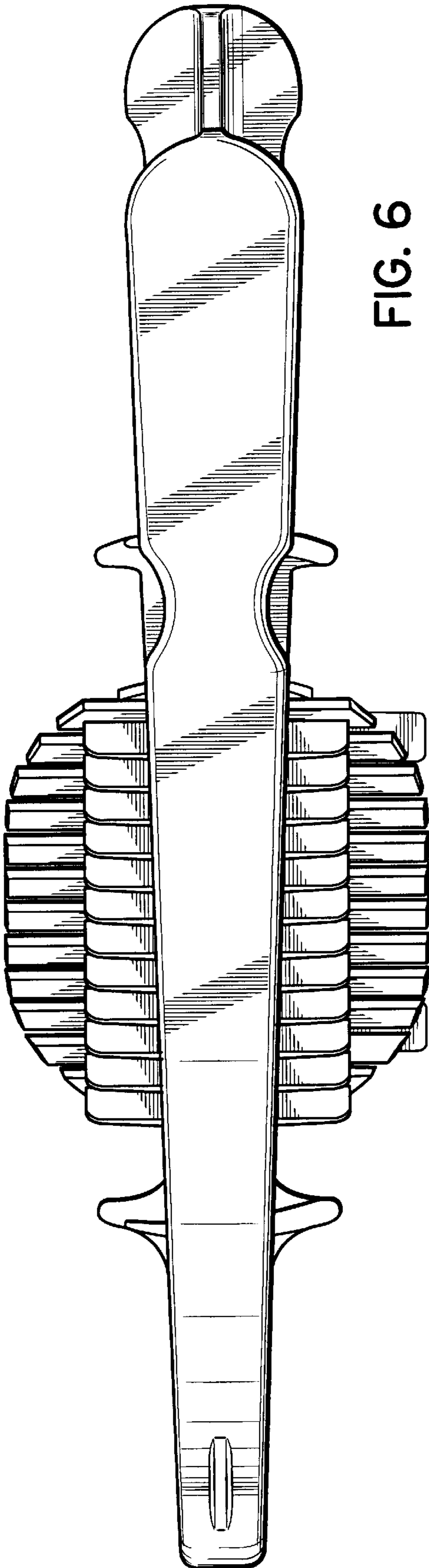


FIG. 6

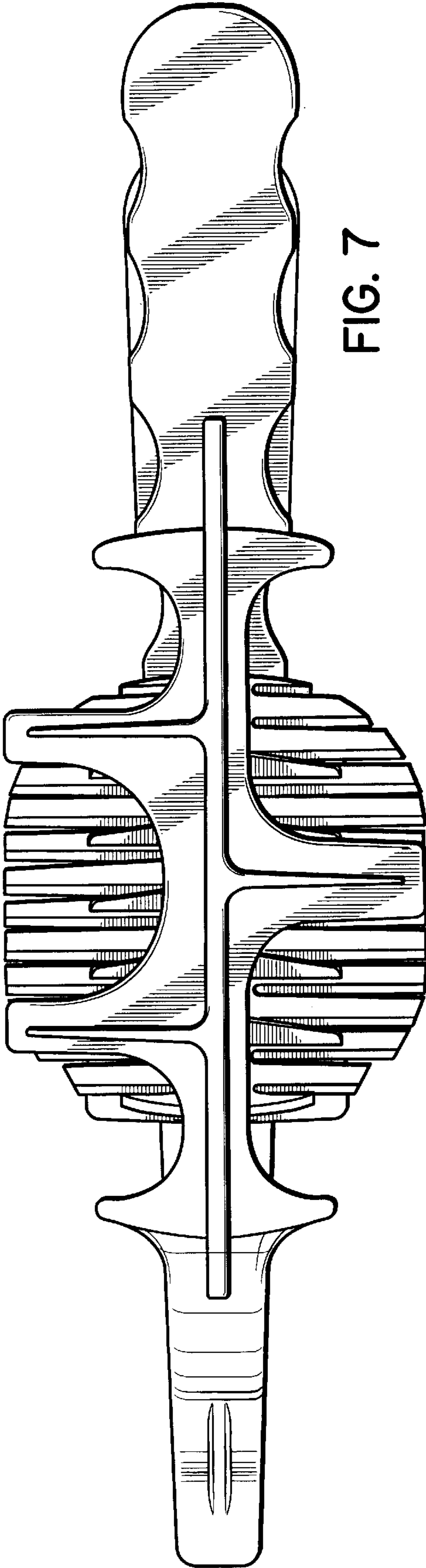


FIG. 7