



US00D512607S

(12) **United States Design Patent**
Bodum

(10) **Patent No.: US D512,607 S**
(45) **Date of Patent: ** Dec. 13, 2005**

(54) **CARVING KNIFE**

D434,281 S * 11/2000 Guodace D7/645
D497,083 S * 10/2004 Welch D7/645

(75) Inventor: **Jørgen Bodum**, St. Niklausen (CH)

(73) Assignee: **PI-Design AG**, Triengen (CH)

(**) Term: **14 Years**

(21) Appl. No.: **29/224,438**

(22) Filed: **Mar. 3, 2005**

Related U.S. Application Data

(62) Division of application No. 29/187,130, filed on Jul. 29, 2003.

(30) **Foreign Application Priority Data**

Feb. 14, 2003 (DK) DA 2003 00119

(51) **LOC (6) Cl.** **07-03**

(52) **U.S. Cl.** **D7/649**

(58) **Field of Search** D7/643-645, 653-656,
D7/662-664, 683, 688, 401.2, 649, 652,
673, 691-692; 30/147-150, 322-328, 137-142,
340, 329, 342-346; D8/98, 107

(56) **References Cited**

U.S. PATENT DOCUMENTS

D1,681 S * 12/1862 Bussell D7/645
D210,509 S * 3/1968 Wallance D7/649
D309,849 S * 8/1990 Callinan D7/649
D420,258 S * 2/2000 Leo et al. D7/649

OTHER PUBLICATIONS

Schoner Wohnen Nov. 1980, p. 192 SW (the knifr).*
Schonen Wohnen Jul. 1984 p. 77 (the knives labeled "A" and "B").*
Design vol. 396 Dec. 1982 p. 34 (The knives labeled "A" and "B").*

* cited by examiner

Primary Examiner—Caron D. Veynar

Assistant Examiner—Maurice Stevens

(74) *Attorney, Agent, or Firm*—Nath & Associates PLLC;
Gregory B. Kang; Derek Richmond

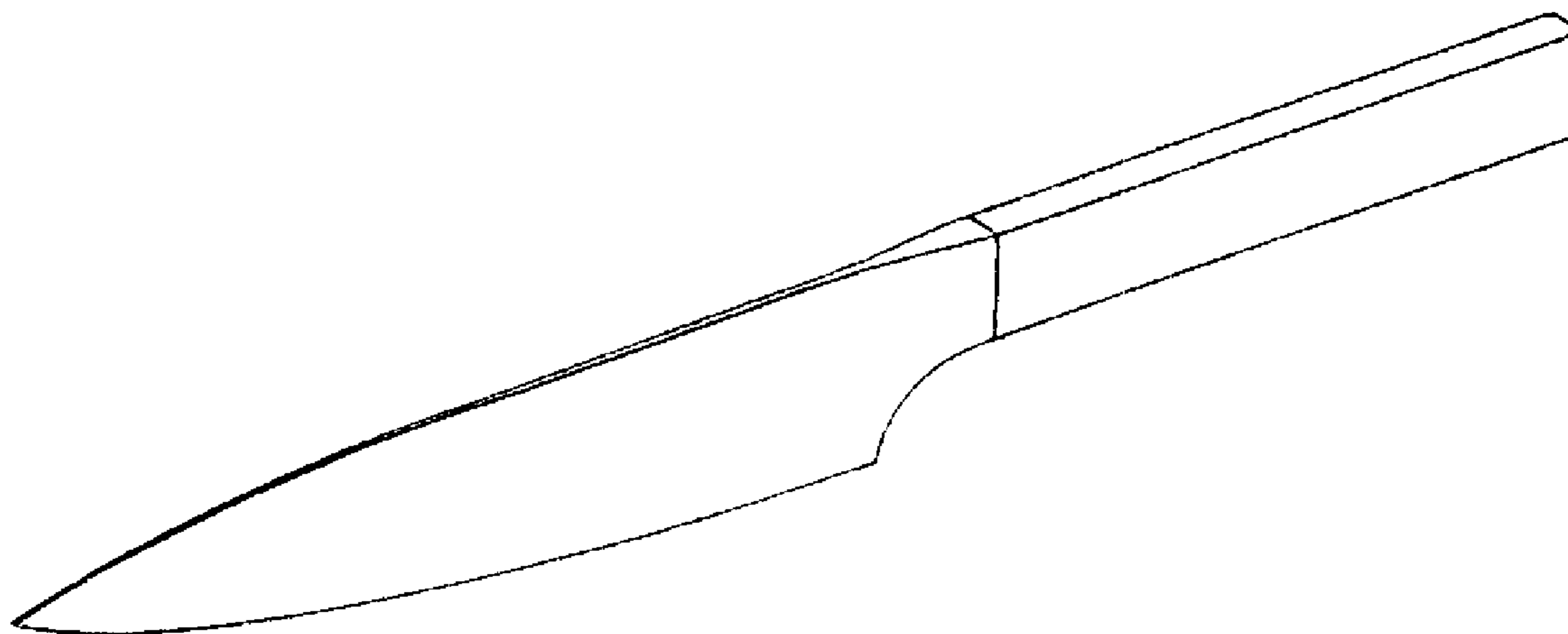
(57) **CLAIM**

The ornamental design for a carving knife, as shown and described.

DESCRIPTION

FIG. 1 is an oblique perspective view of the carving knife; FIG. 2 is a front view of the carving knife, as shown in FIG. 1;
FIG. 3 is a back side view of the carving knife;
FIG. 4 is a right side view of the carving knife;
FIG. 5 is a left side view of the carving knife;
FIG. 6 is a top view of the carving knife; and,
FIG. 7 is a bottom view of the carving knife.

1 Claim, 7 Drawing Sheets



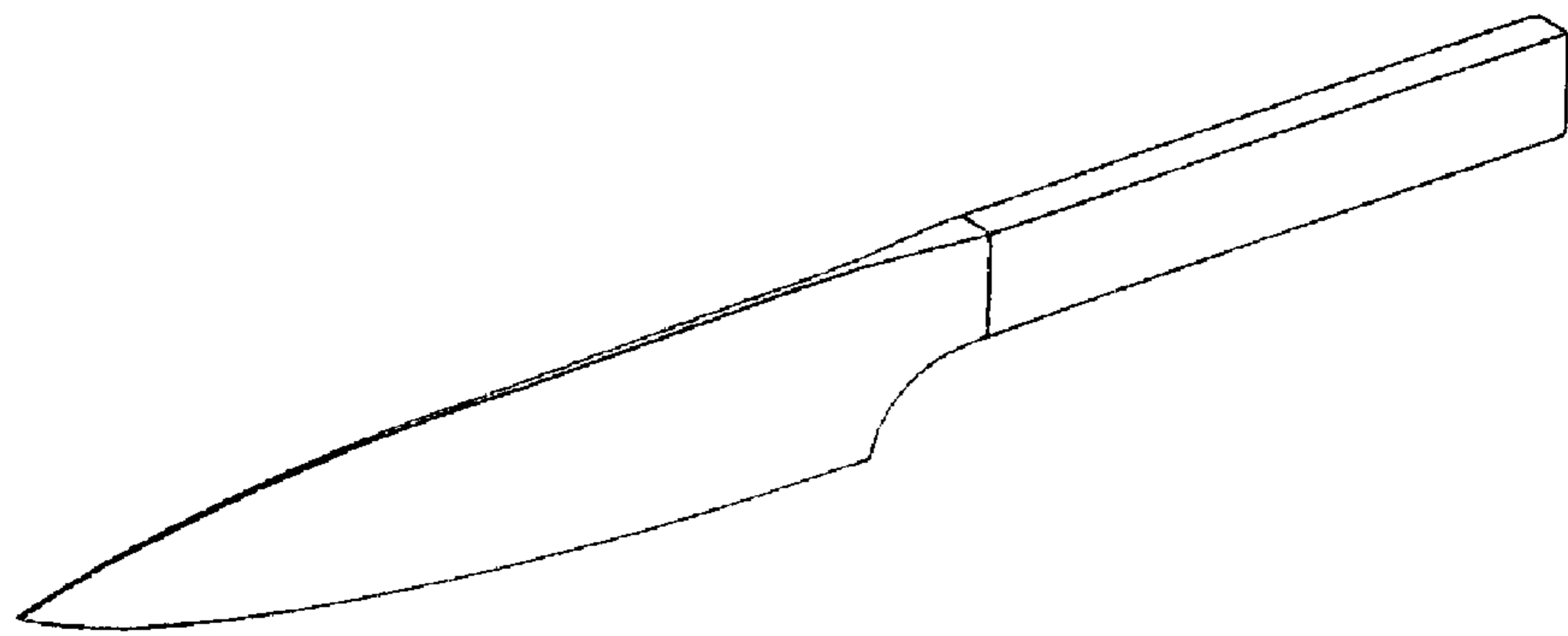


Fig. 1



Fig. 2



Fig. 3



Fig. 4

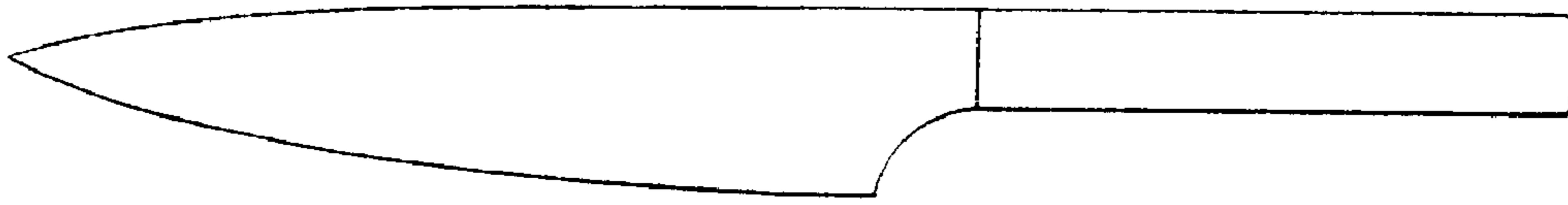


Fig. 5



Fig. 6



Fig. 7