



US00D512605S

(12) **United States Design Patent** (10) **Patent No.:** **US D512,605 S**  
**Estes** (45) **Date of Patent:** **\*\* Dec. 13, 2005**

(54) **SPORTS COOLER**

(76) **Inventor:** **Larry R. Estes**, 3559 Lorna Rd., Apt. D., Birmingham, AL (US) 35216

(\*\*) **Term:** **14 Years**

(21) **Appl. No.:** **29/214,482**

(22) **Filed:** **Oct. 5, 2004**

(51) **LOC (6) Cl.** ..... **07-01**

(52) **U.S. Cl.** ..... **D7/606; D7/605**

(58) **Field of Search** ..... D7/301, 300, 306, D7/312, 313, 603, 605, 606, 613, 515, 302, 355, 356, 361, 901; 280/30, 47.34, 47.26, 655; 222/183, 185, 129.1, 131, 146.6; 137/212, 322; 220/522, 254.3, 23.83; 215/385; 62/457.2; D3/273, 299; 206/315.1, 542, 541, 545, 217; D9/307; D6/450, 710; D34/39

D354,639 S \* 1/1995 Stoddard et al. .... D6/450  
D354,641 S \* 1/1995 Stoddard et al. .... D6/450  
D354,642 S \* 1/1995 Stoddard et al. .... D6/450  
D354,882 S \* 1/1995 Hurst et al. .... D7/515  
D357,386 S \* 4/1995 Jones ..... D7/606  
D370,391 S \* 6/1996 Bauer et al. .... D7/606  
D372,360 S \* 8/1996 Burns et al. .... D3/273  
D374,959 S \* 10/1996 Mull ..... D34/39  
D391,451 S \* 3/1998 Todorya ..... D7/606  
D401,117 S \* 11/1998 Anderson et al. .... D7/606  
D411,715 S \* 6/1999 Hansen ..... D7/606  
D413,755 S \* 9/1999 Strum et al. .... D7/302  
D416,770 S \* 11/1999 Thorpe ..... D7/710  
D419,387 S \* 1/2000 Hansen ..... D7/606  
D451,765 S \* 12/2001 Israel et al. .... D7/605  
D452,120 S \* 12/2001 Brangle et al. .... D7/606  
D455,934 S \* 4/2002 Culp et al. .... D7/605  
6,364,329 B1 \* 4/2002 Holub et al. .... 280/47.26  
D467,770 S \* 12/2002 Blalock ..... D7/605  
D490,654 S \* 6/2004 Allen et al. .... D7/515  
D491,408 S \* 6/2004 Clark et al. .... D7/306

(56) **References Cited**

**U.S. PATENT DOCUMENTS**

D135,747 S \* 6/1943 Austin ..... D7/639  
3,065,885 A \* 11/1962 Chatten ..... 222/400.7  
D232,798 S \* 9/1974 Roche ..... D7/605  
D244,402 S \* 5/1977 Less et al. .... D7/301  
4,162,029 A \* 7/1979 Gottsegen et al. .... 222/131  
D257,934 S \* 1/1981 Buss ..... D7/605  
D259,232 S \* 5/1981 Tarozzi ..... D7/313  
D259,320 S \* 5/1981 Tarozzi ..... D7/313  
D268,979 S \* 5/1983 Ruxton ..... D7/605  
D275,643 S \* 9/1984 Petterson ..... D7/355  
4,648,512 A \* 3/1987 Tarozzi et al. .... 206/542  
D289,597 S \* 5/1987 Averitt ..... D7/605  
D290,539 S \* 6/1987 Jennette ..... D34/13  
D309,396 S \* 7/1990 Lundblade et al. .... D7/313  
D343,327 S \* 1/1994 Bailey et al. .... D7/301  
D349,009 S \* 7/1994 Minor ..... D7/606  
D350,459 S \* 9/1994 Blackwell et al. .... D7/605  
D352,208 S \* 11/1994 Brookshire ..... D7/605

\* cited by examiner

*Primary Examiner*—M. N. Pandozzi  
(74) *Attorney, Agent, or Firm*—Wm. Randall May

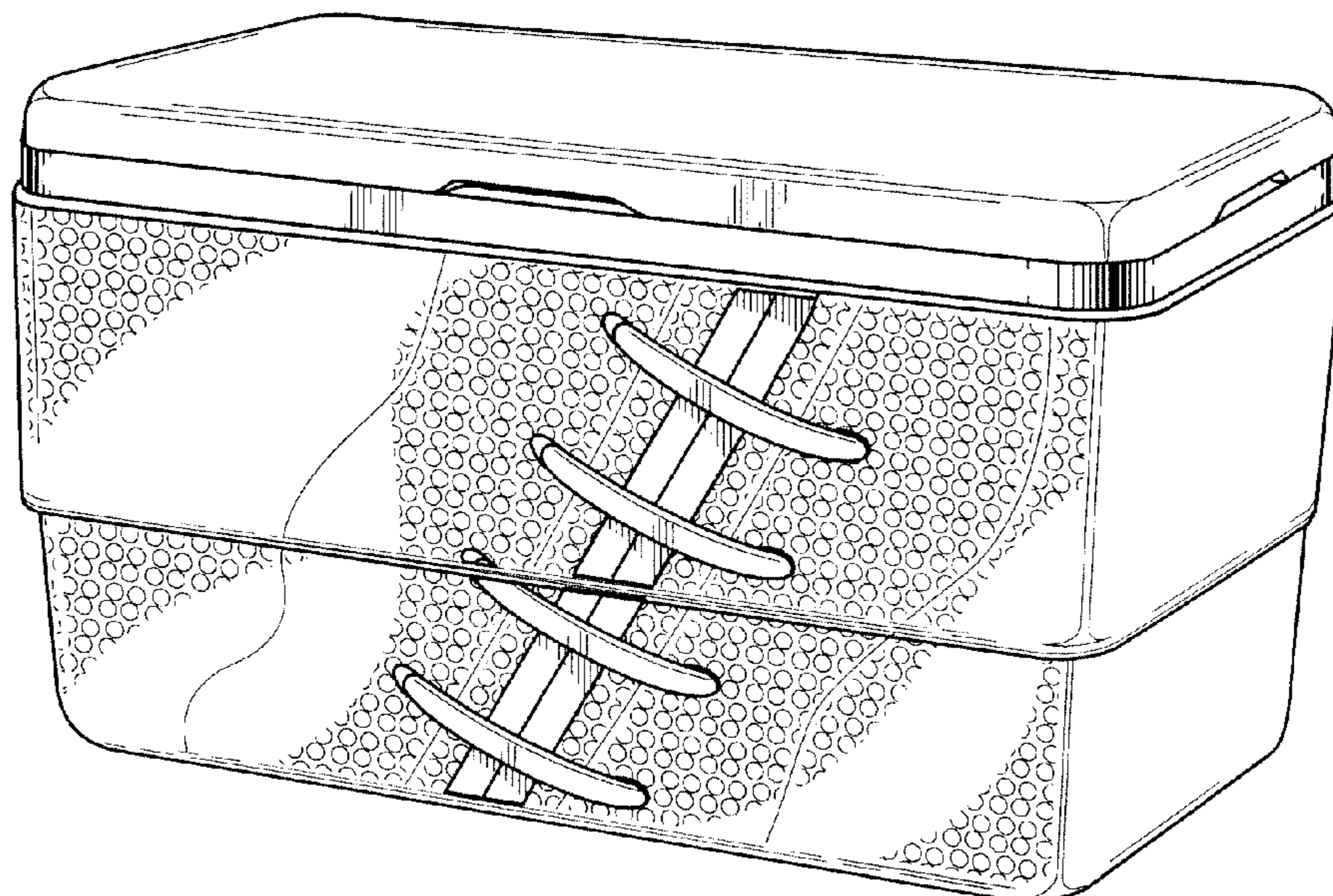
(57) **CLAIM**

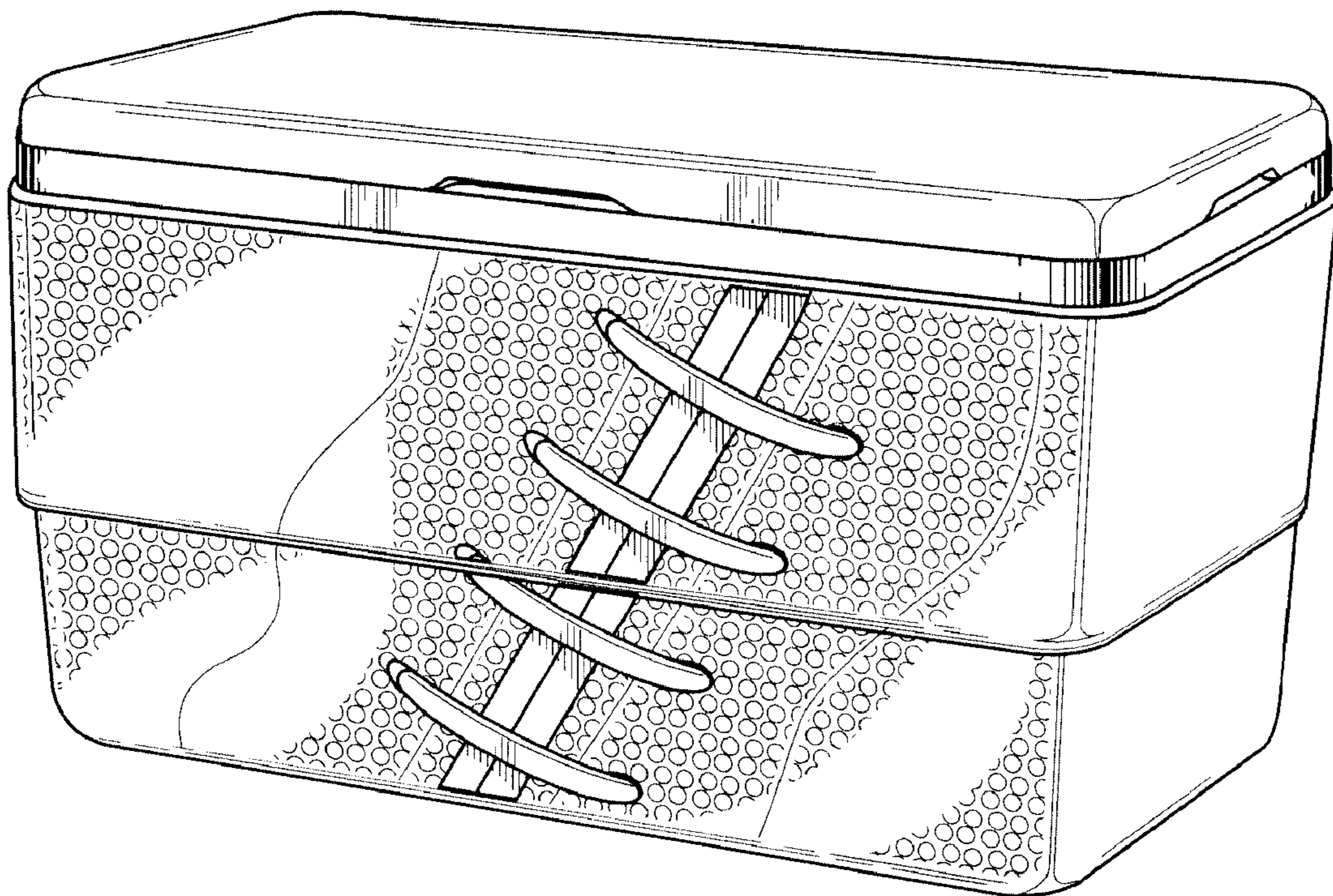
The ornamental design for a sports cooler, as shown and described.

**DESCRIPTION**

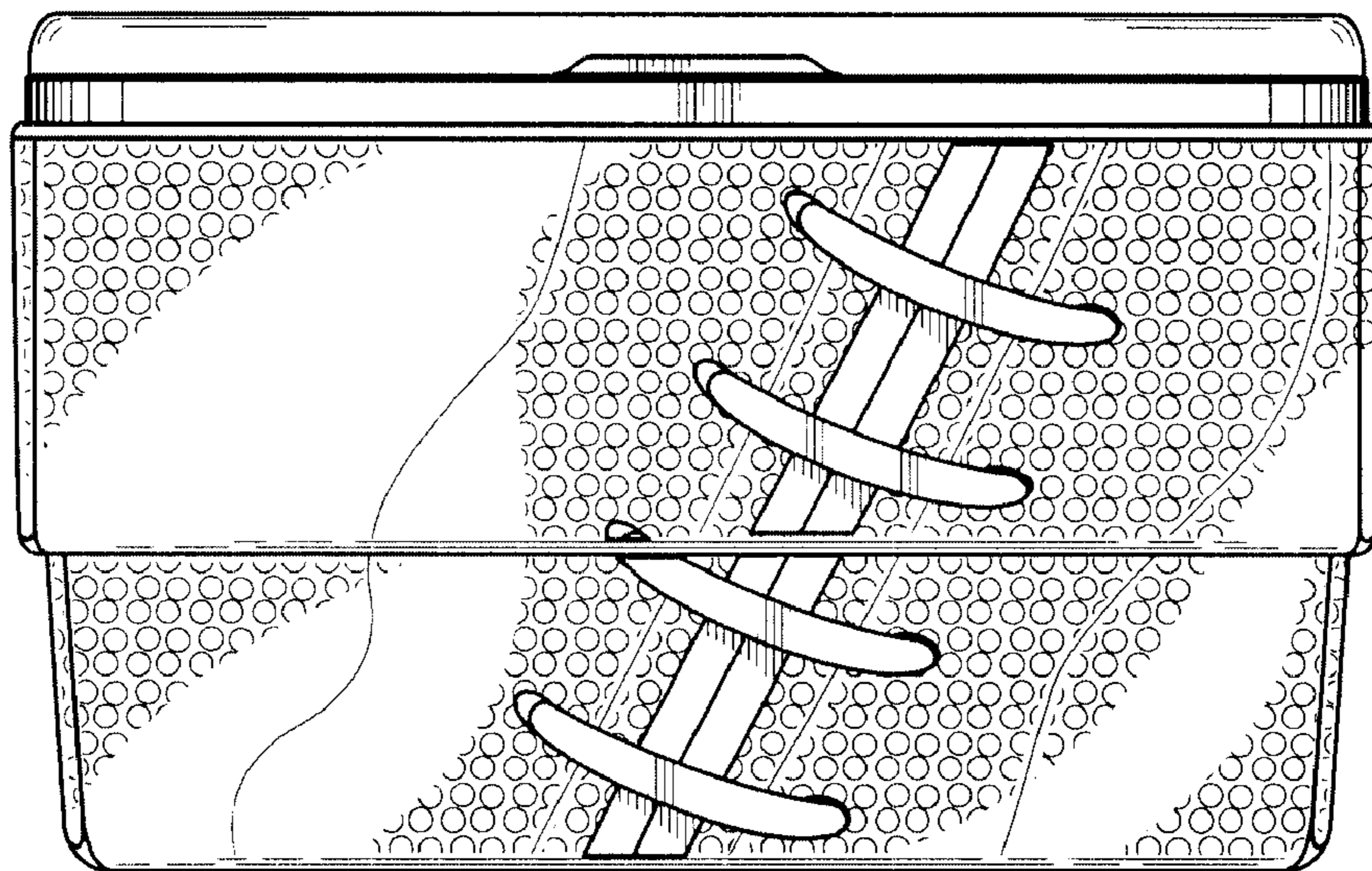
FIG. 1 is a front perspective view of a sports cooler showing my new design;  
FIG. 2 is a front elevational view thereof;  
FIG. 3 is a rear elevational view thereof;  
FIG. 4 is a left side elevational view thereof;  
FIG. 5 is a right side elevational view thereof;  
FIG. 6 is a top plan view thereof; and,  
FIG. 7 is a bottom plan view thereof.

**1 Claim, 3 Drawing Sheets**

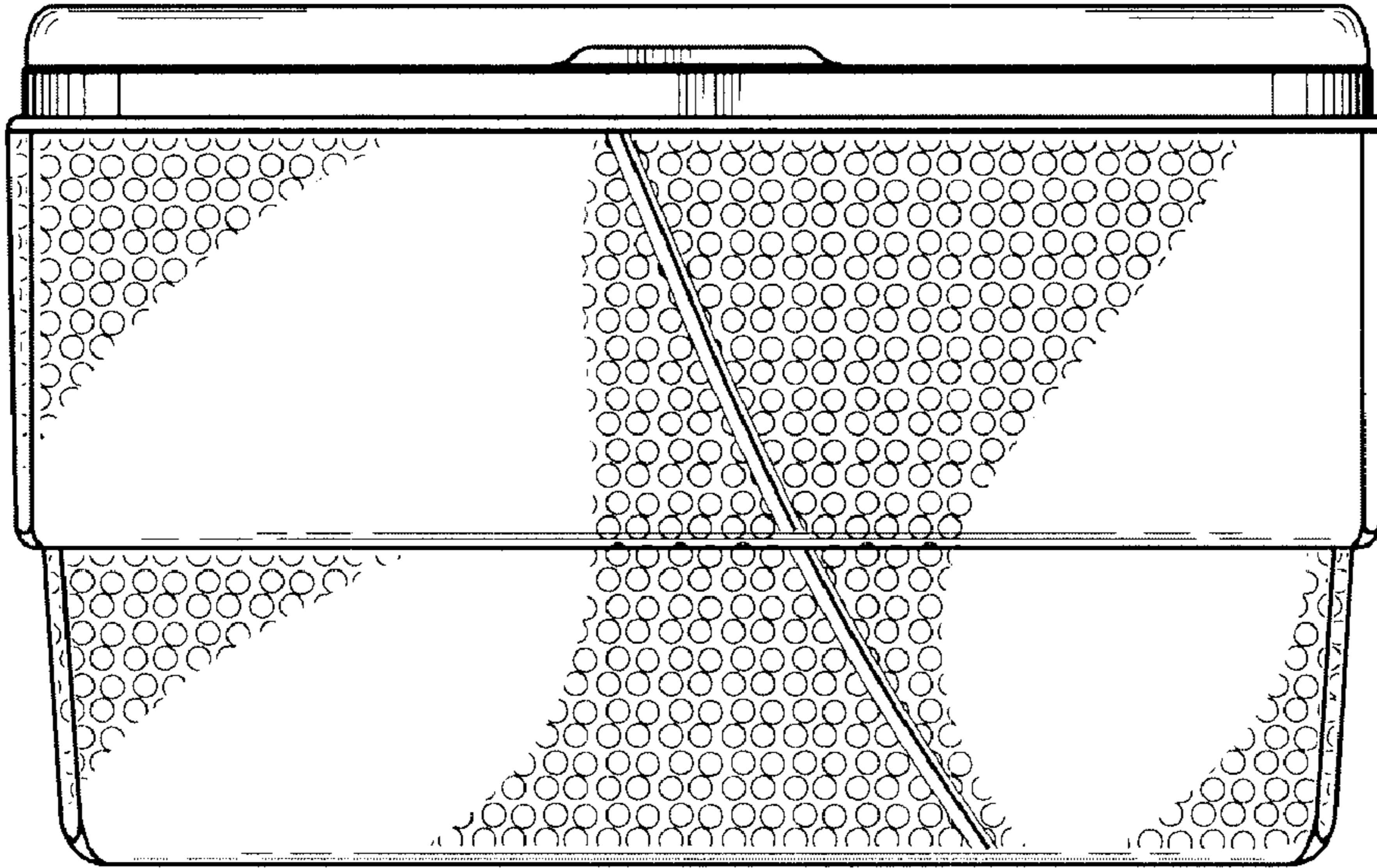




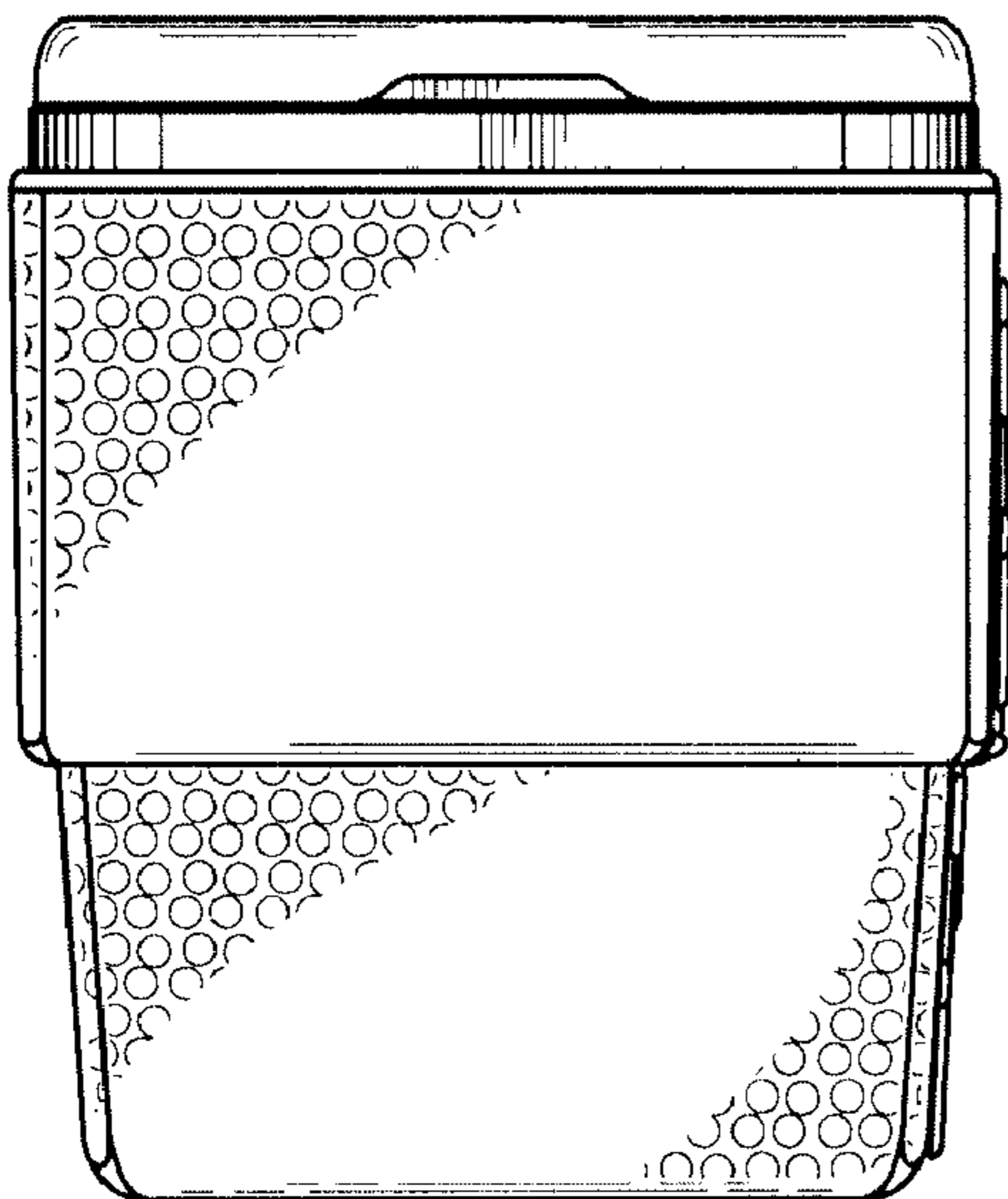
*Fig. 1*



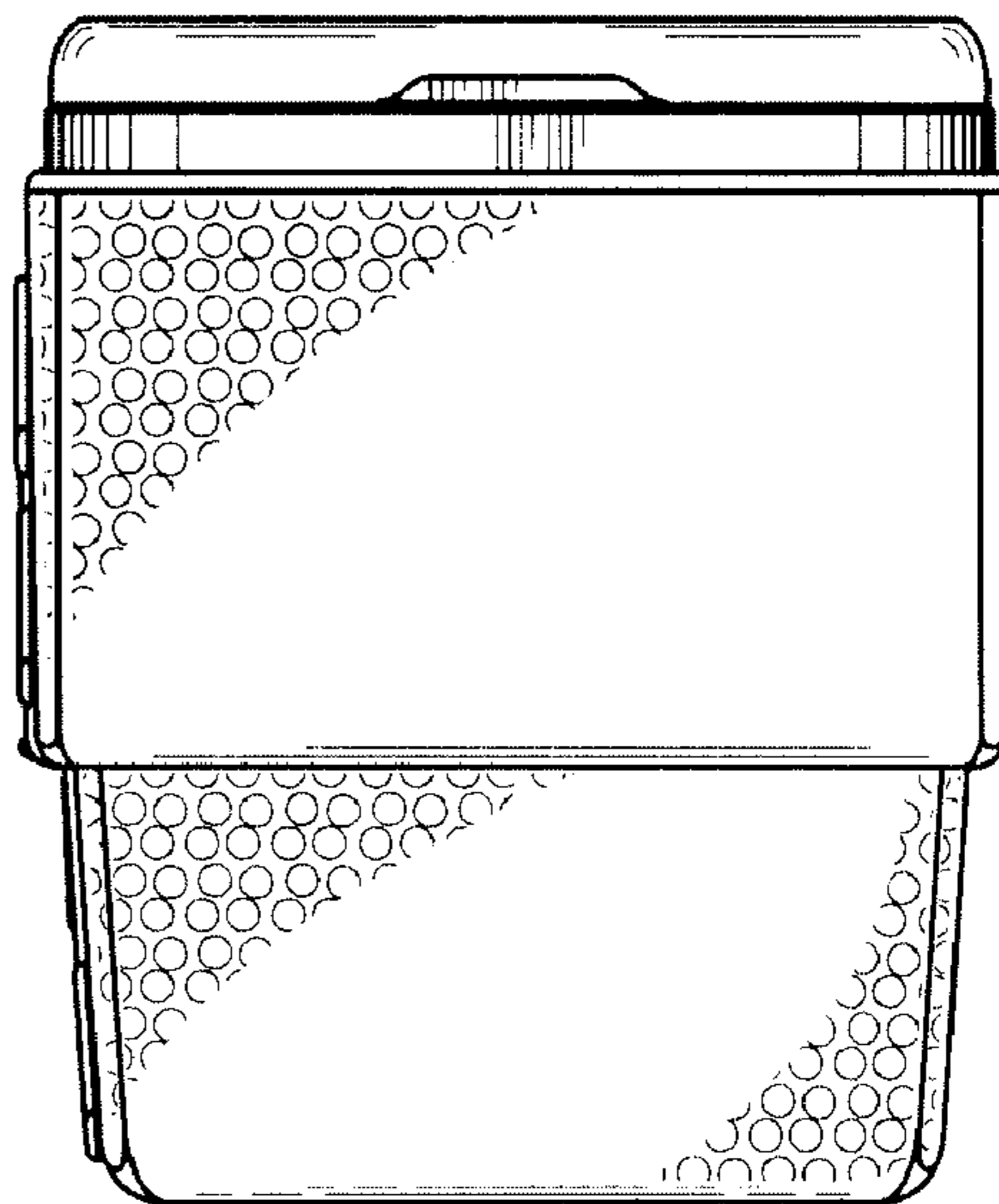
*Fig. 2*



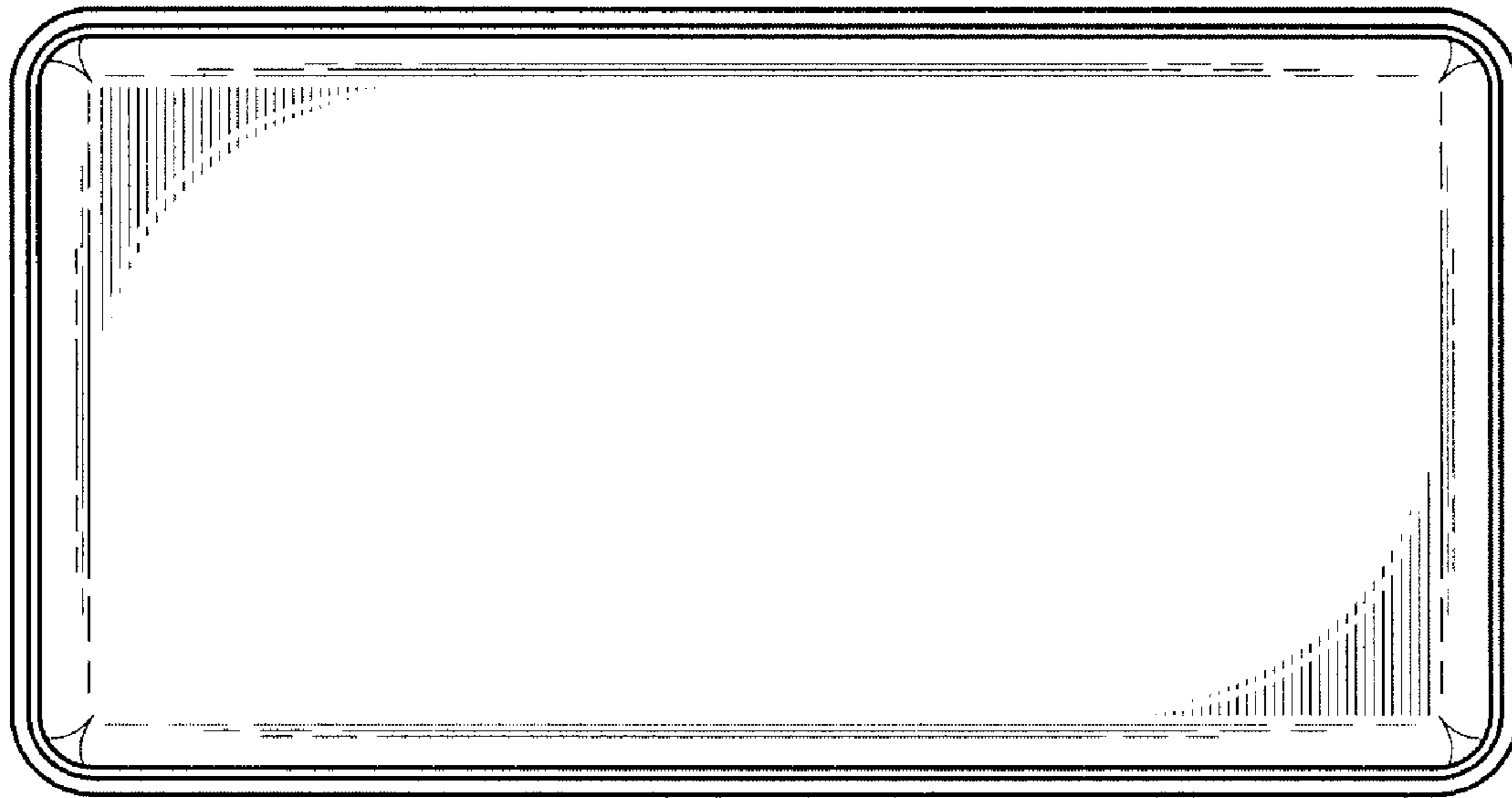
*Fig. 3*



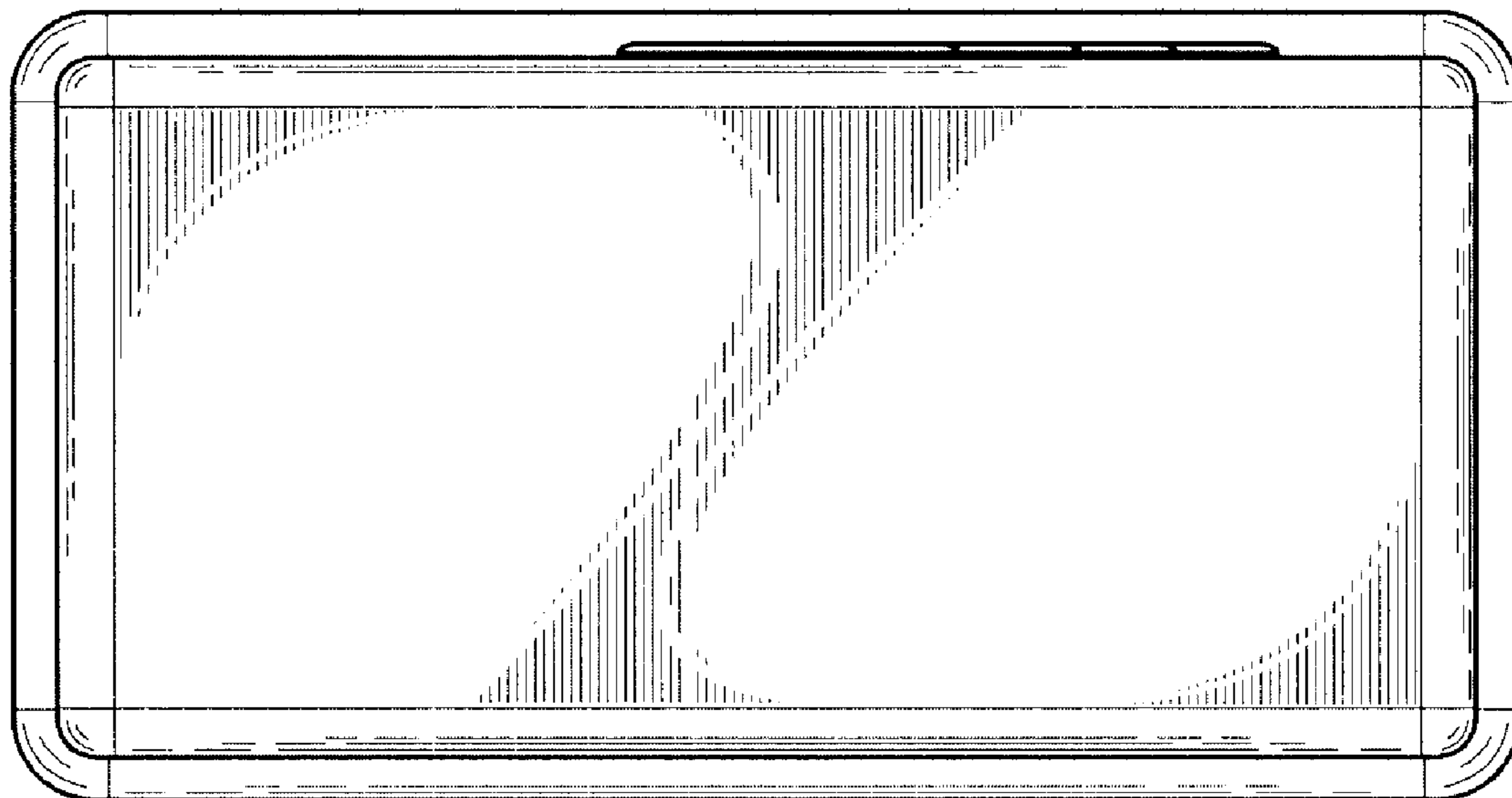
*Fig. 4*



*Fig. 5*



*Fig. 6*



*Fig. 7*