



US00D512603S

(12) **United States Design Patent**
Kim et al.

(10) **Patent No.: US D512,603 S**

(45) **Date of Patent: ** Dec. 13, 2005**

(54) **OVEN RANGE**

5,711,288 A * 1/1998 Sparks 126/37 R
6,191,391 B1 * 2/2001 Deo et al. 126/273 R

(75) Inventors: **Young Don Kim**, Sunnam-shi (KR);
Wook Jun Jung, Pusan (KR)

* cited by examiner

(73) Assignee: **LG Electronics Inc.**, Seoul (KR)

Primary Examiner—Robert A. Delehanty
(74) *Attorney, Agent, or Firm*—Birch, Stewart, Kolasch &
Birch, LLP

(**) Term: **14 Years**

(57) **CLAIM**

(21) Appl. No.: **29/216,373**

We claim the ornamental design for oven range, as shown
and described.

(22) Filed: **Nov. 3, 2004**

(30) **Foreign Application Priority Data**

DESCRIPTION

May 4, 2004 (KR) 30-2004-0012895

FIG. 1 is a Perspective view of oven range showing the new
design;

(51) **LOC (6) Cl.** **07-02**

FIG. 2 is a Front Elevation View thereof;

(52) **U.S. Cl.** **D7/406**

FIG. 3 is a Rear Elevation View thereof;

(58) **Field of Search** D7/405-406, 348-349;

FIG. 4 is a Left-side Elevation View thereof;

D32/3, 28; 34/524, 88; 126/273 A, 52,

FIG. 5 is a Right-side Elevation View thereof;

19 R, 273 R, 39 B, 39 R, 1 R, 37 R; D14/257

FIG. 6 is a Top Plan View thereof; and,

FIG. 7 is a Bottom Plan View thereof.

(56) **References Cited**

The broken line showing of an oven is for illustrative
purposes only and forms no part of the claimed design.

U.S. PATENT DOCUMENTS

D385,071 S * 10/1997 Hughes et al. D32/3

1 Claim, 4 Drawing Sheets

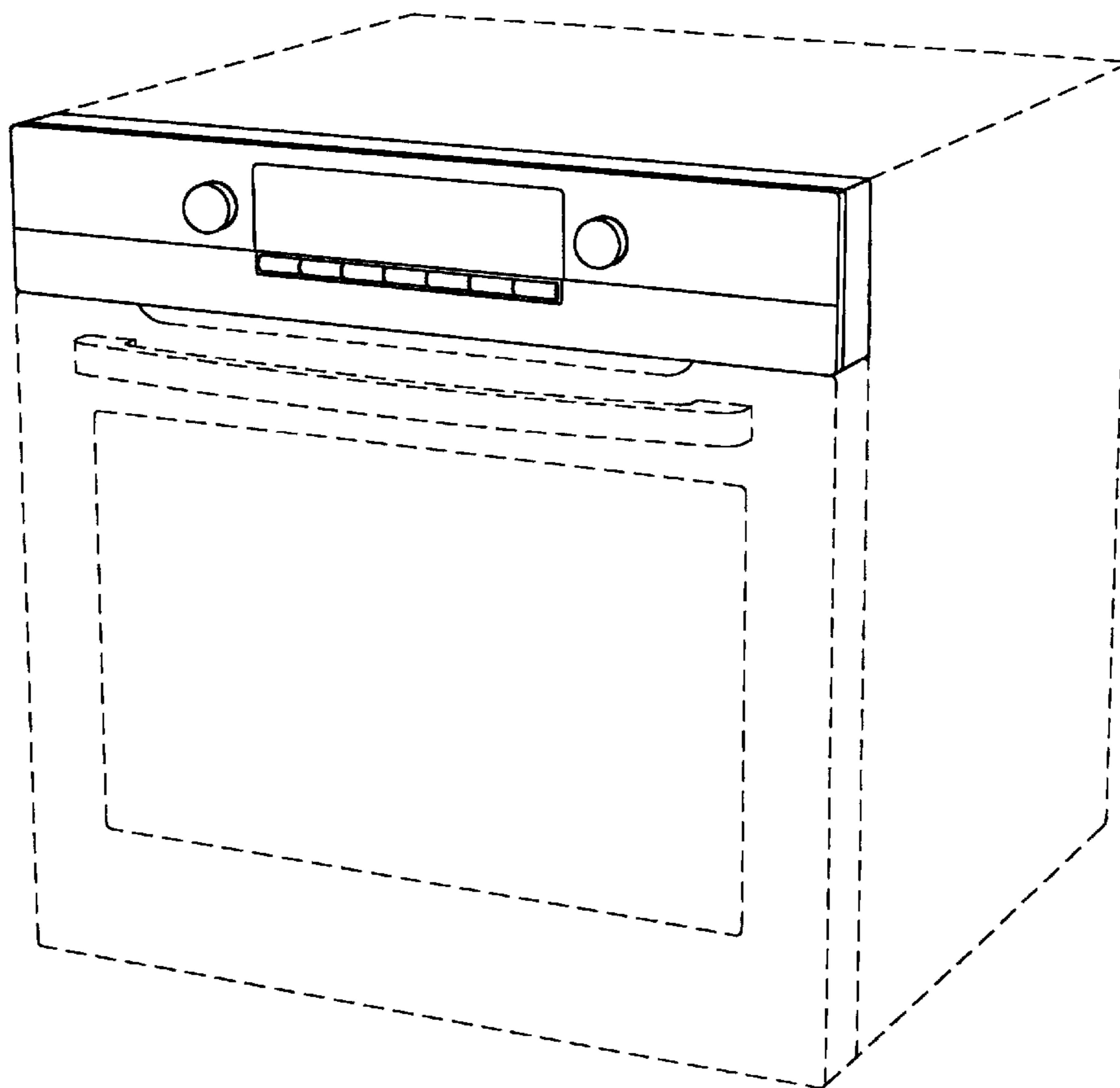


FIG. 1

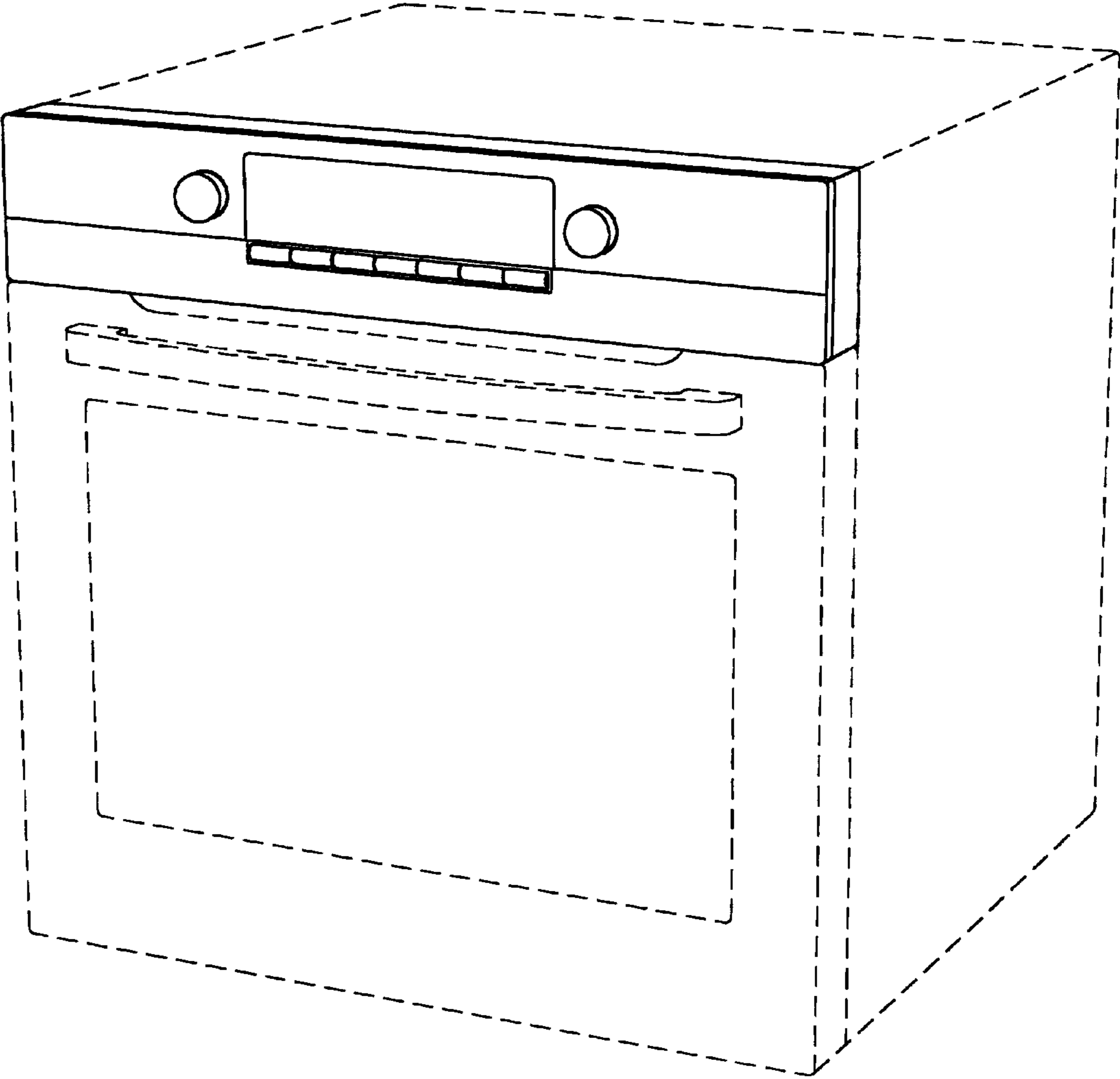


FIG. 2

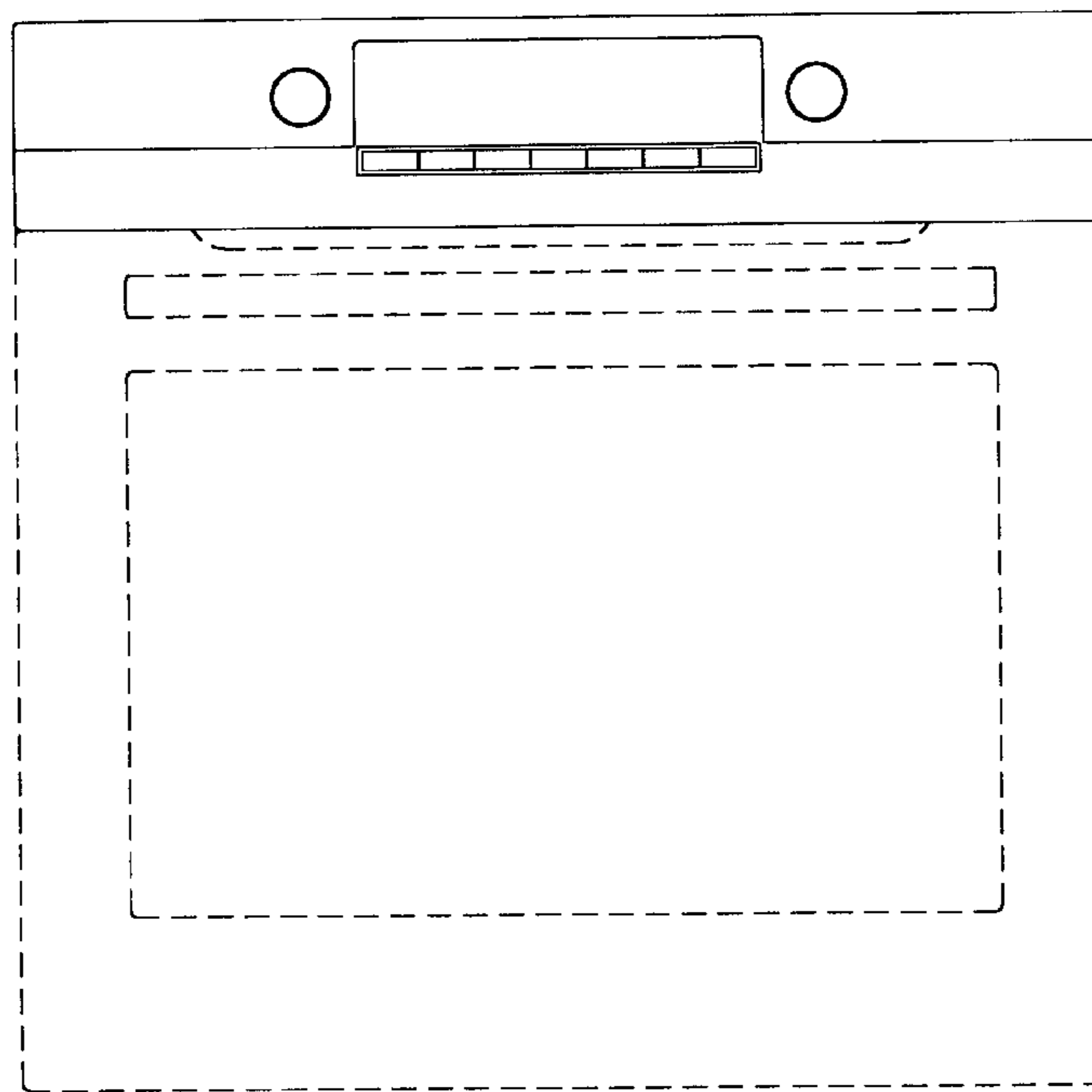


FIG. 3

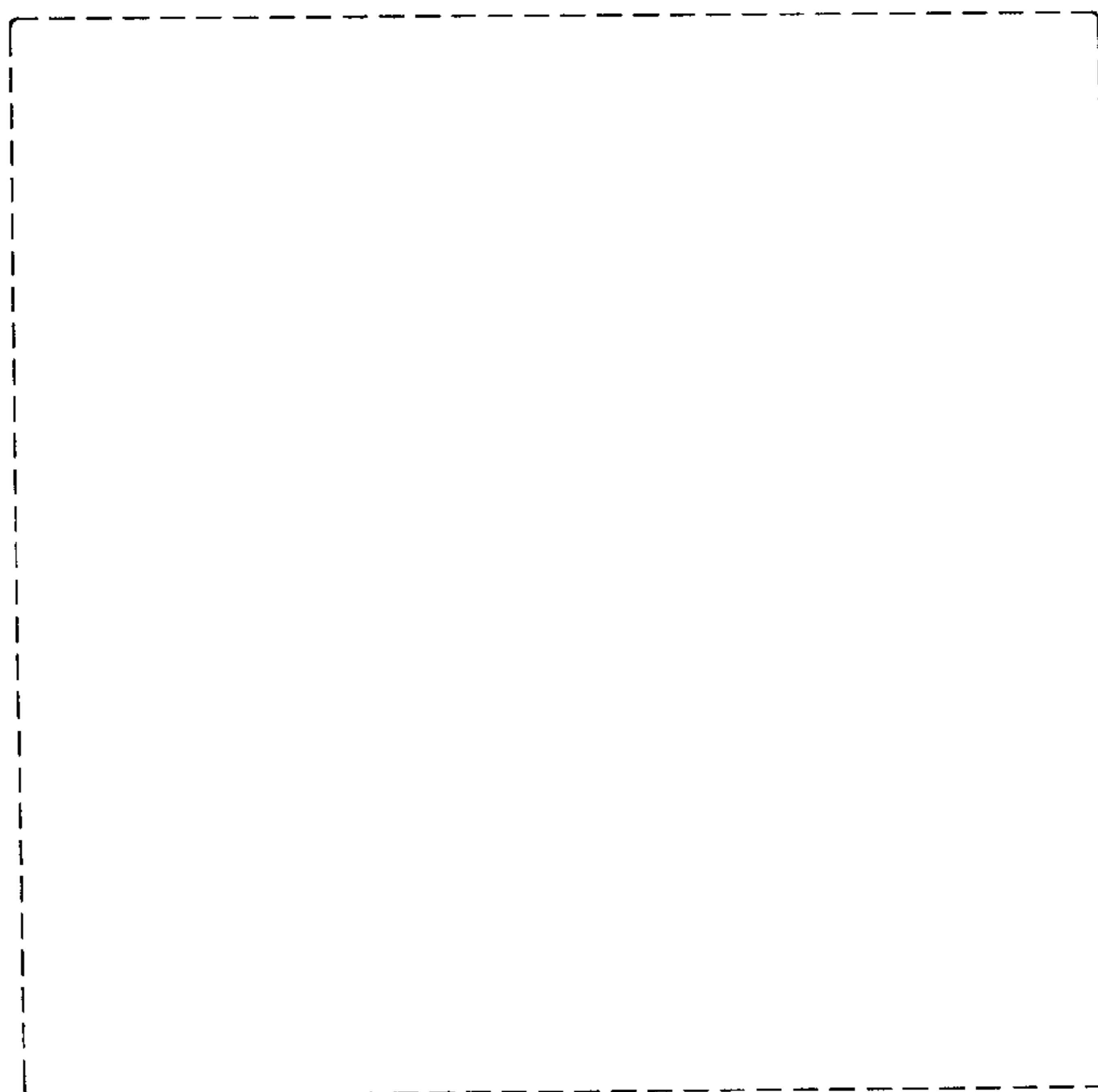


FIG. 4

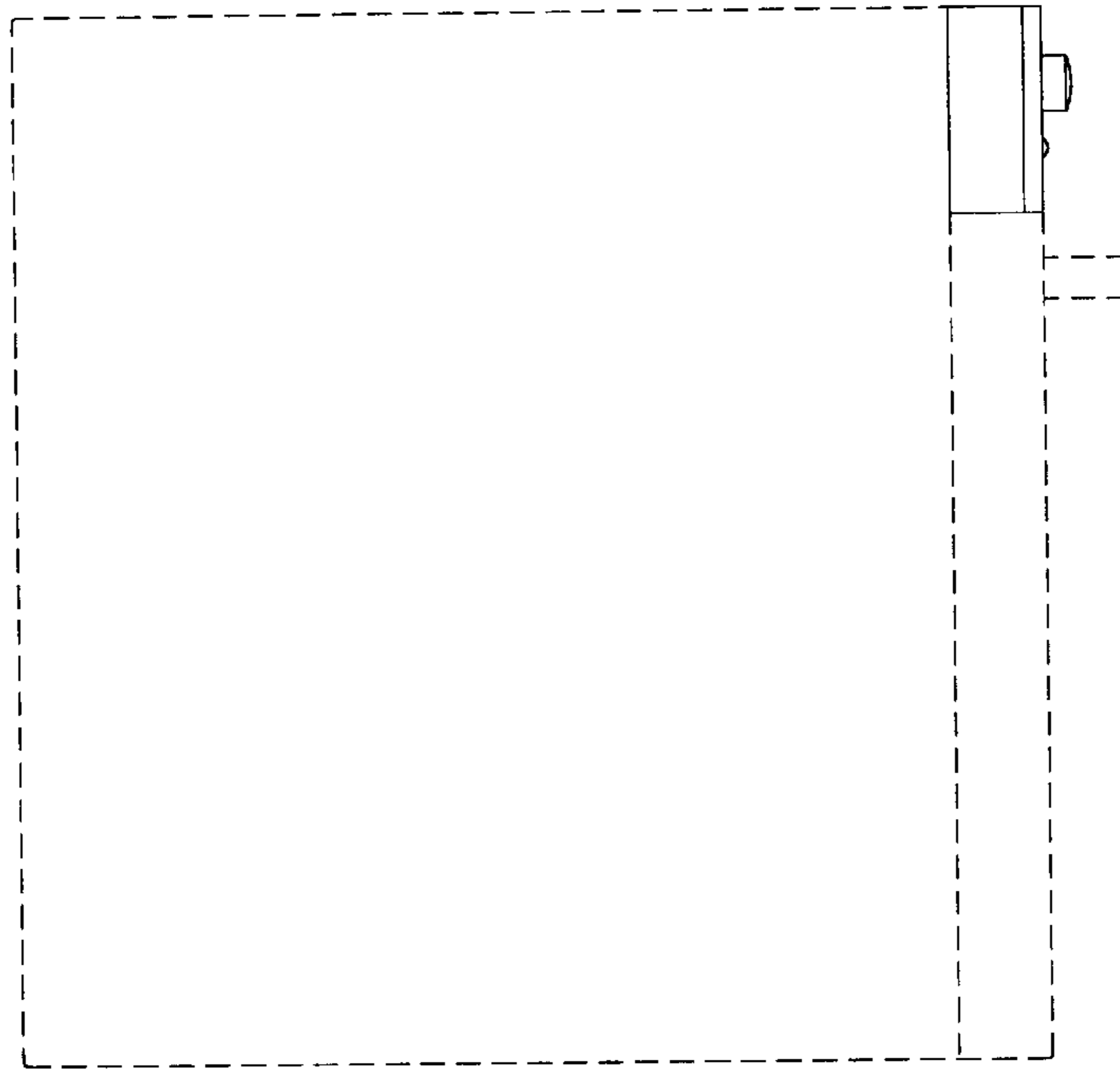


FIG. 5

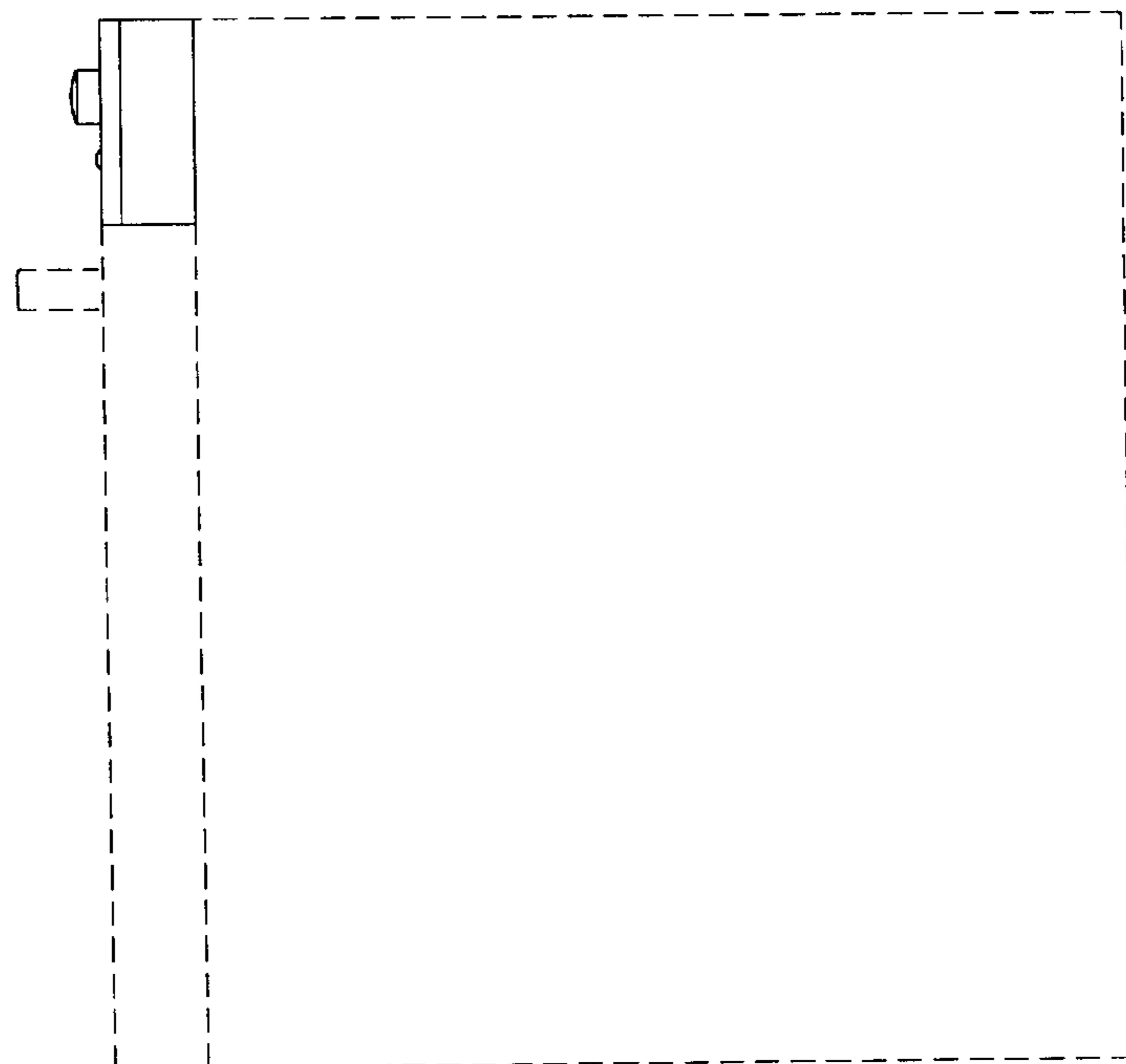


FIG. 6

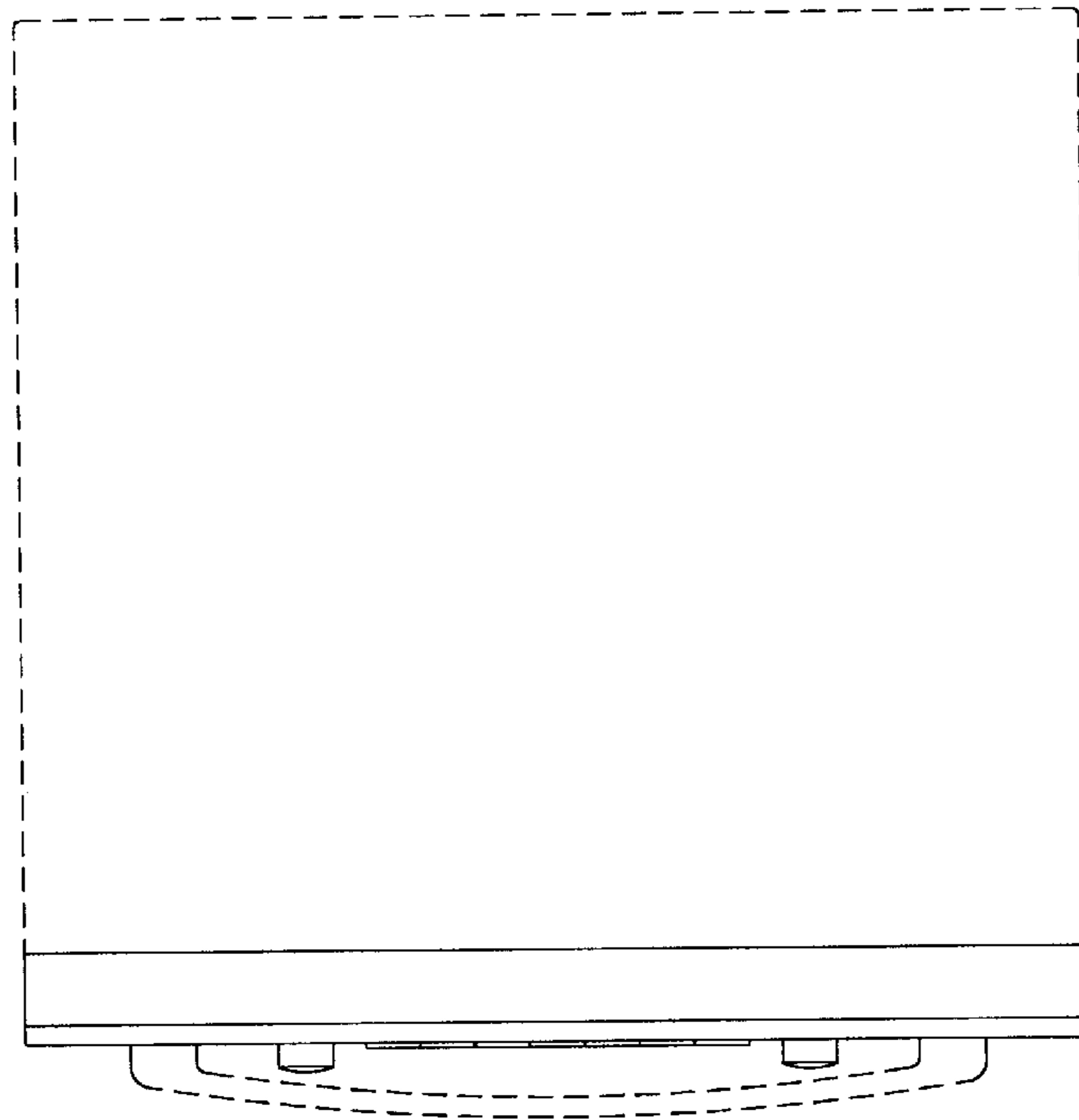


FIG. 7

