



US00D512601S

(12) **United States Design Patent**  
**Pitteurs**

(10) **Patent No.: US D512,601 S**  
(45) **Date of Patent: \*\* Dec. 13, 2005**

(54) **SUPPORT FOR WAFFLE IRON**  
(75) Inventor: **Benny M. L. Pitteurs**, Denderhoutem (BE)  
(73) Assignee: **H.V.D. Besloten Vennootschap met Beperkte aansprakelijkheid**, Brussel (BE)  
(\*\*) Term: **14 Years**

4,253,424 A \* 3/1981 Williams ..... 119/61  
4,531,048 A \* 7/1985 Carbon ..... 219/525  
D308,317 S \* 6/1990 Koziol ..... D7/409  
D371,228 S \* 6/1996 Monin ..... D30/121  
5,572,924 A \* 11/1996 Crnjanski ..... 99/426  
5,636,564 A \* 6/1997 Weiss ..... 99/332  
D412,642 S \* 8/1999 King ..... D7/409  
5,937,742 A \* 8/1999 Steeb et al. .... 99/375  
6,044,755 A \* 4/2000 Misceo ..... D7/332  
D456,671 S \* 5/2002 Pai ..... D7/403  
D465,965 S \* 11/2002 Dalton et al. .... D7/352

(21) Appl. No.: **29/192,416**  
(22) Filed: **Oct. 24, 2003**  
(30) **Foreign Application Priority Data**  
Apr. 25, 2003 (EP) ..... 000023528  
(51) **LOC (6) Cl.** ..... **07-99**  
(52) **U.S. Cl.** ..... **D7/388; D7/410; D7/409**  
(58) **Field of Search** ..... D7/352, 409, 410,  
D7/403, 387, 388, 332; 248/250, 346.1;  
108/156; 219/732, 521, 525, 536; D30/131;  
119/61; 99/342, 377, 374, 332, 331, 337;  
294/7

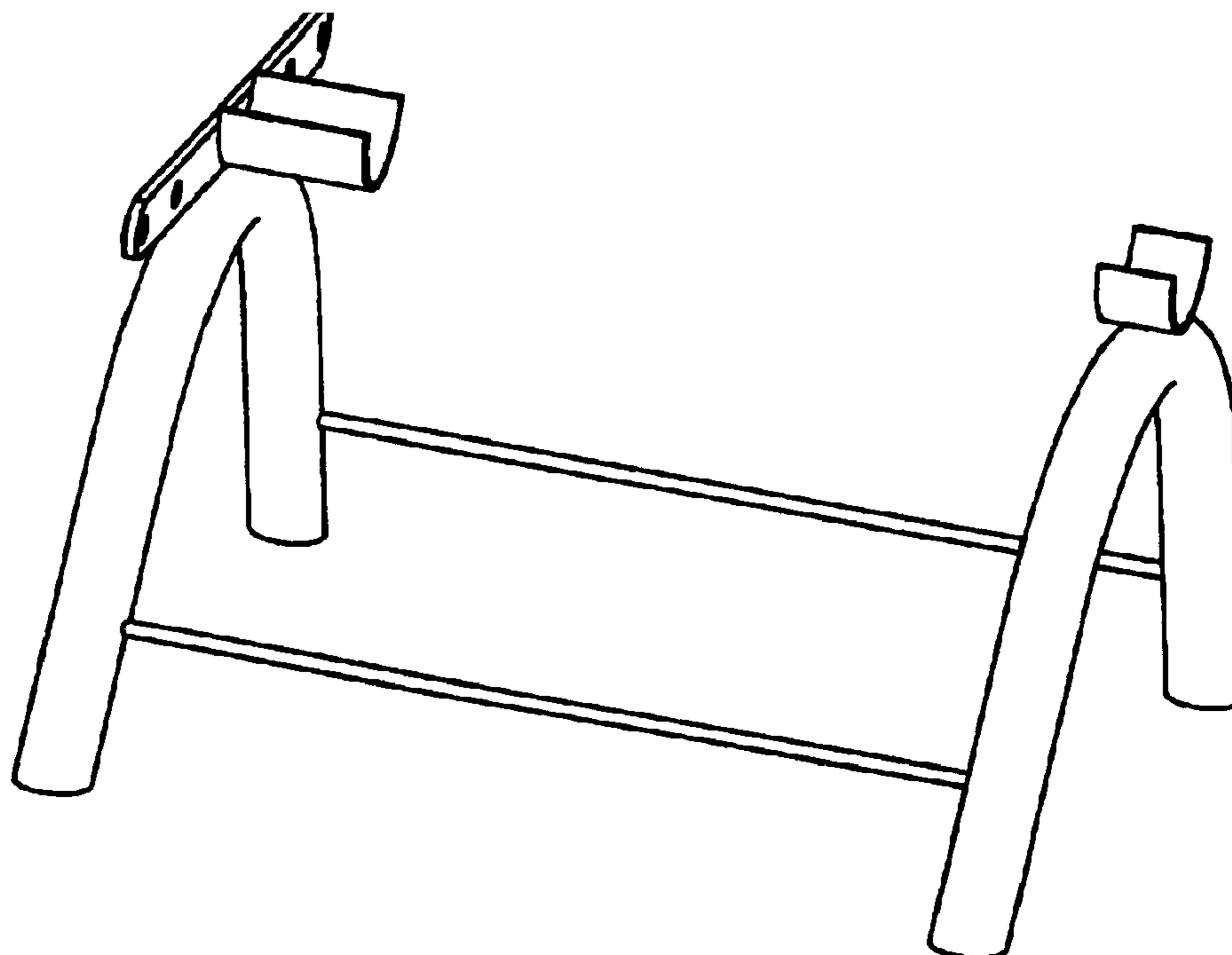
\* cited by examiner  
*Primary Examiner*—M. N. Pandozzi  
(74) *Attorney, Agent, or Firm*—Bacon & Thomas

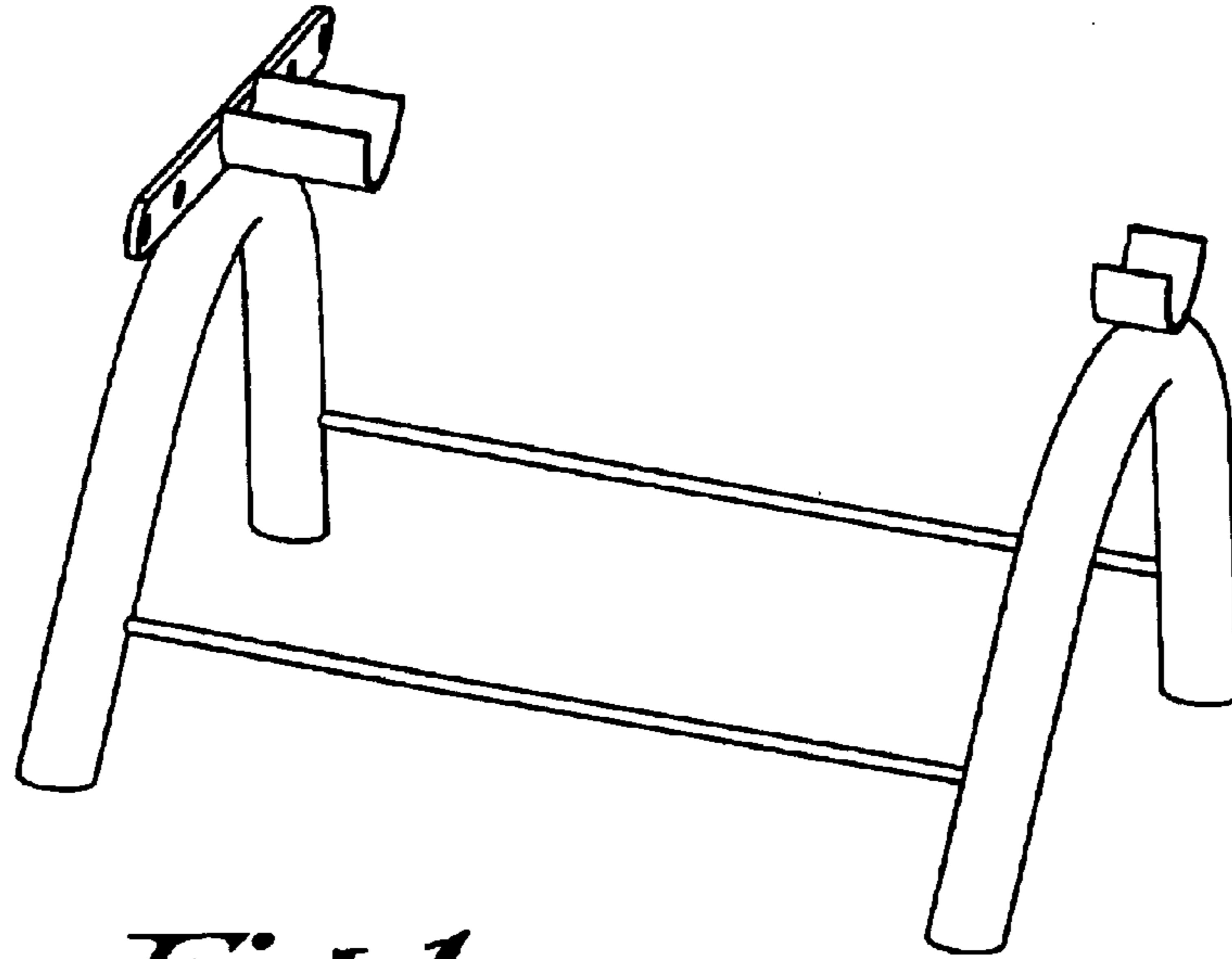
(56) **References Cited**  
**U.S. PATENT DOCUMENTS**  
2,014,001 A \* 9/1935 Knapp et al. .... 219/536  
2,116,688 A \* 5/1938 Ratliff ..... 99/37  
D195,687 S \* 7/1963 Petroff ..... D7/409

(57) **CLAIM**  
The ornamental design for a support for waffle iron, as shown.

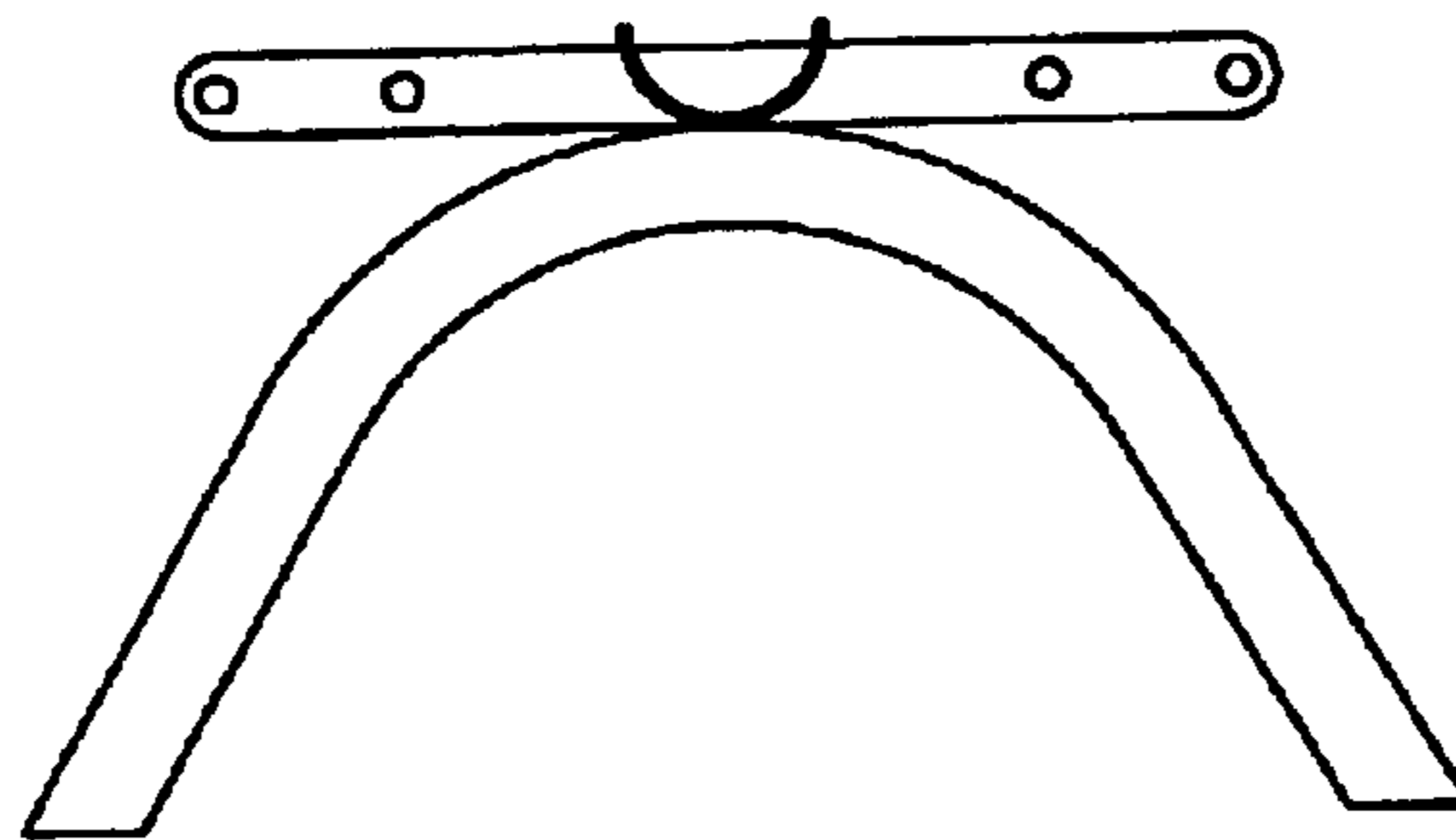
**DESCRIPTION**  
FIG. 1 is a perspective view of a support for waffle iron, showing my new design;  
FIG. 2 is a right side elevational view thereof;  
FIG. 3 is a left side elevational view thereof;  
FIG. 4 is a bottom plan view thereof;  
FIG. 5 is a top plan view thereof;  
FIG. 6 is a front elevational view thereof; and,  
FIG. 7 is a rear elevational view thereof.

**1 Claim, 2 Drawing Sheets**

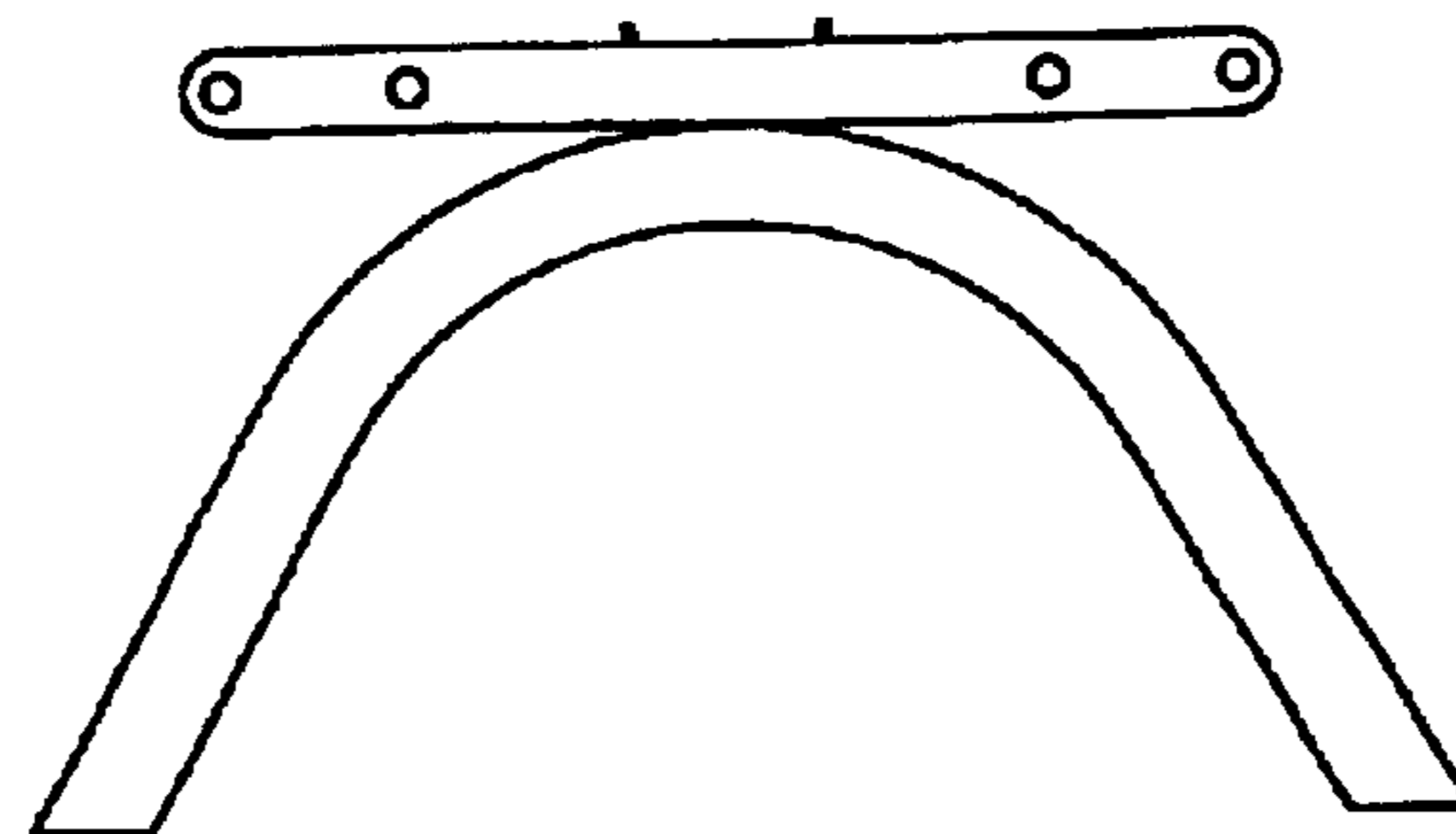




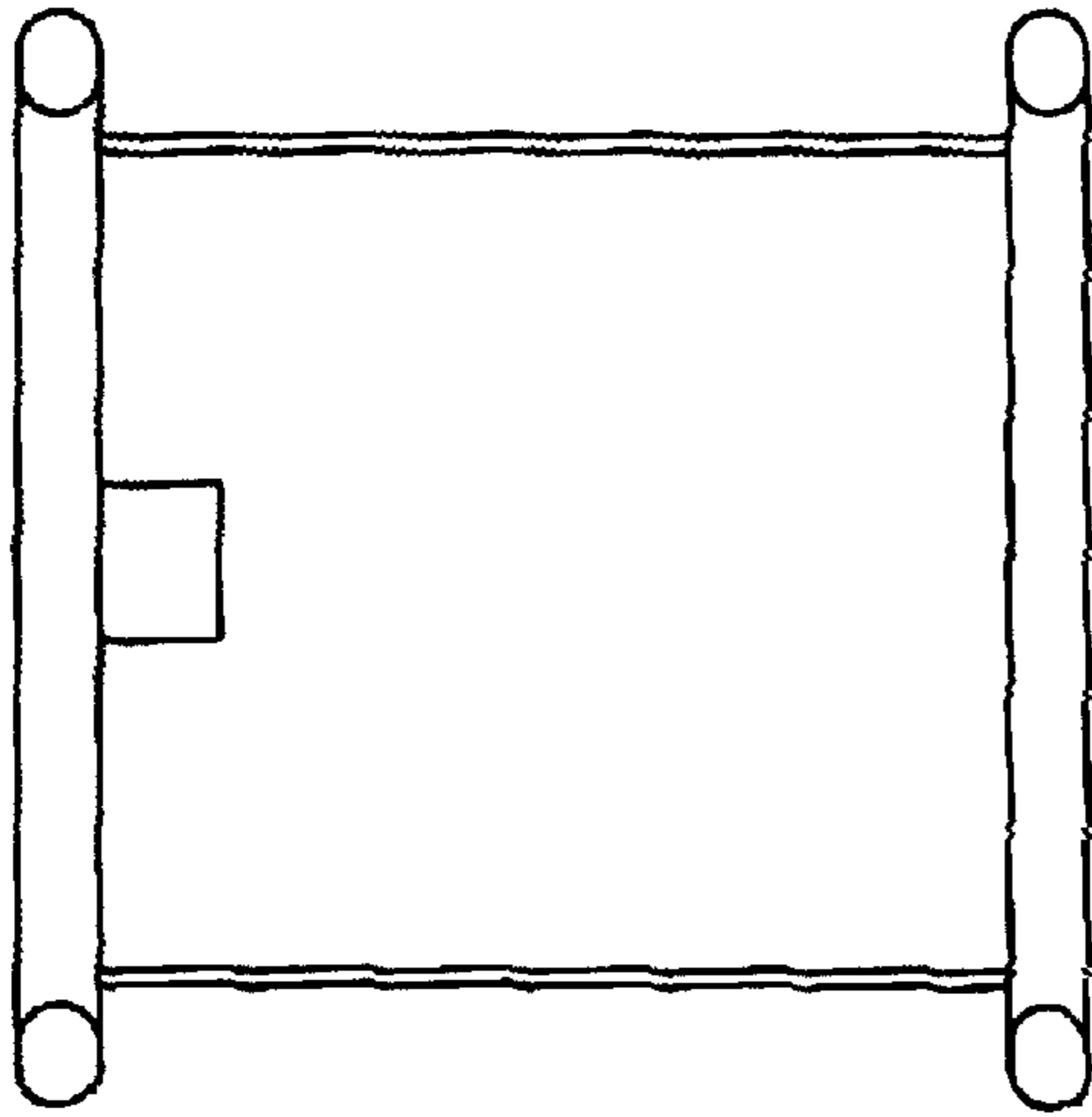
*Fig. 1*



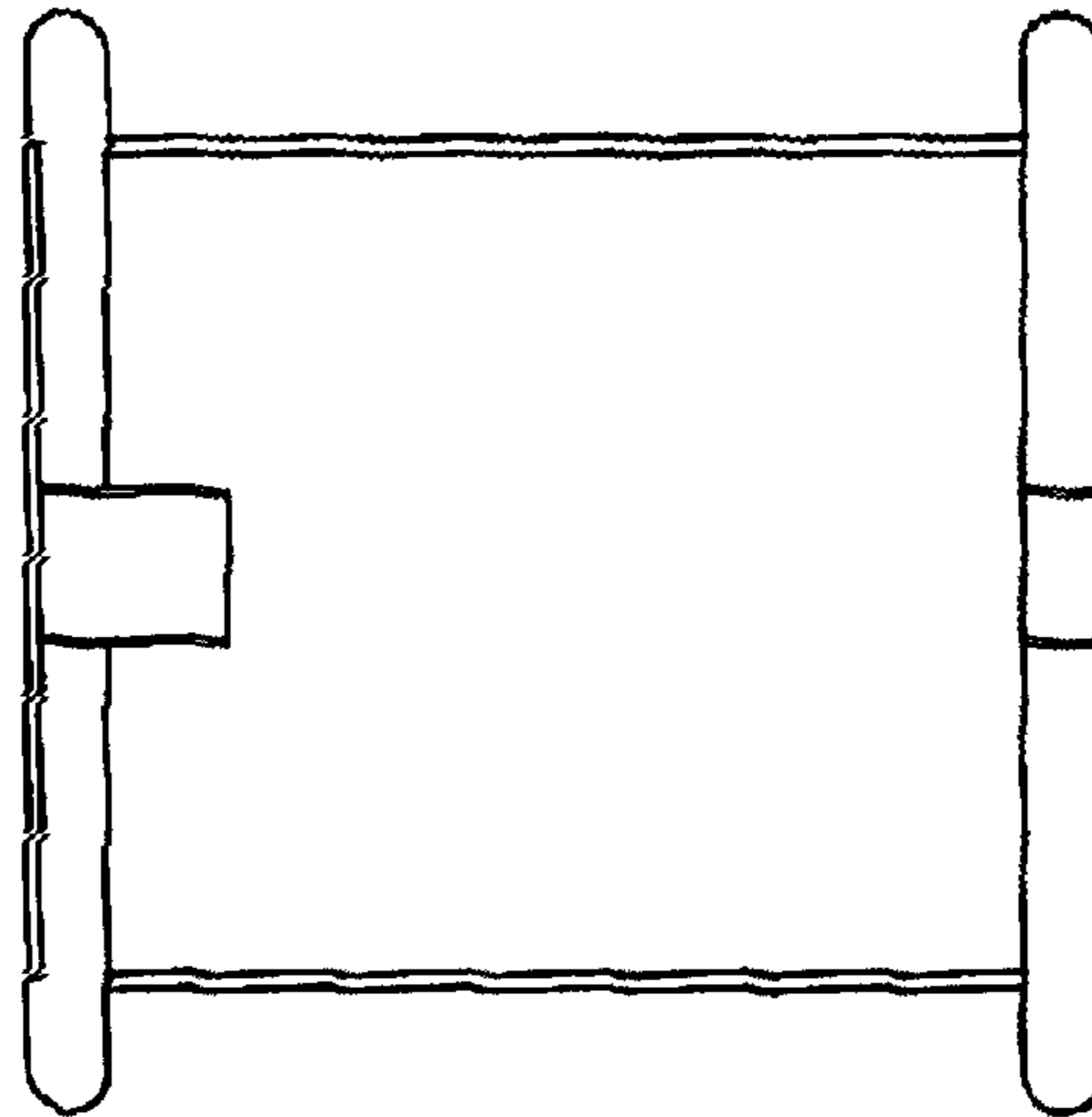
*Fig. 2*



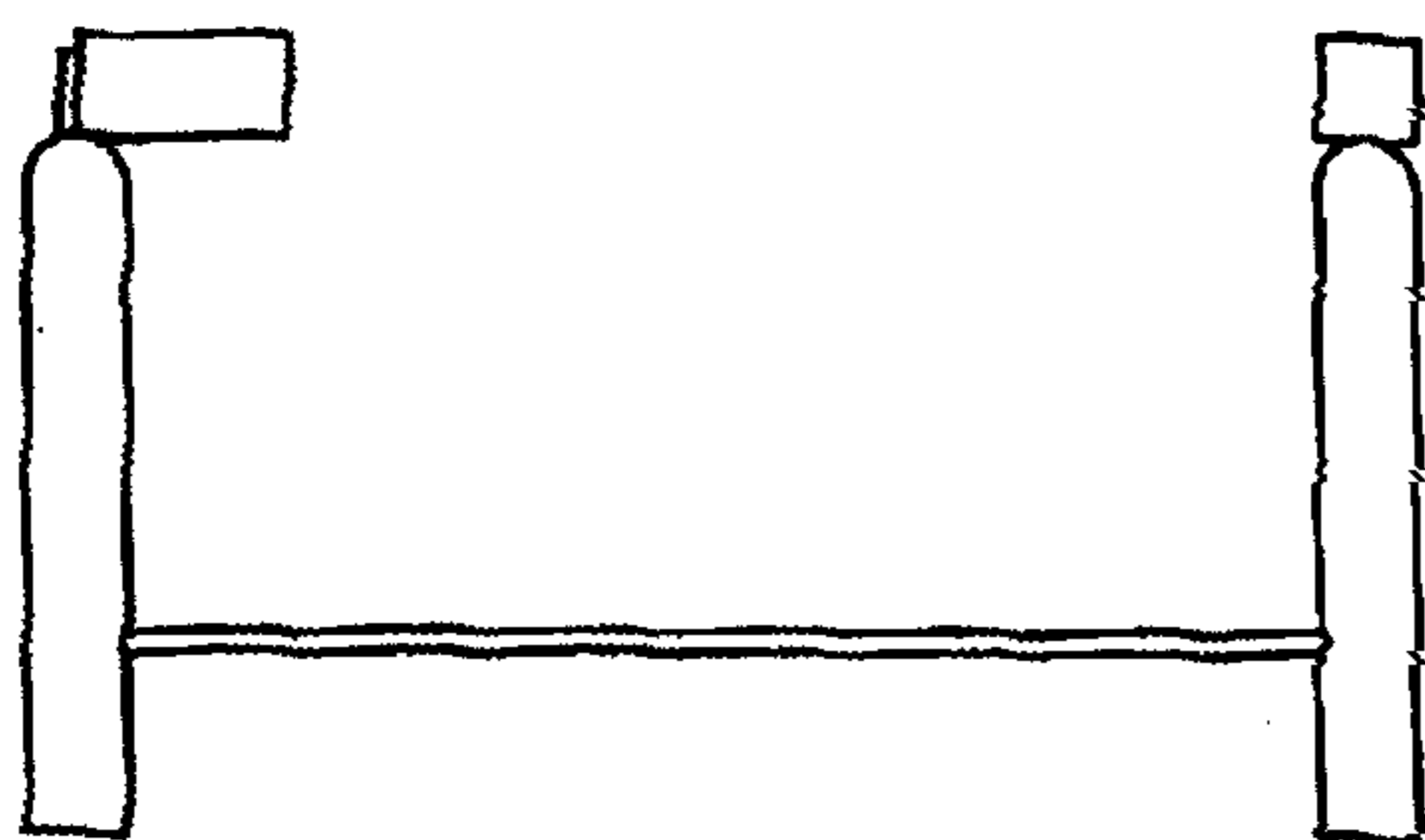
*Fig. 3*



*Fig. 4*



*Fig. 5*



*Fig. 6*



*Fig. 7*