



US00D512597S

(12) **United States Design Patent**
Bjørn

(10) **Patent No.:** **US D512,597 S**
(45) **Date of Patent:** **** Dec. 13, 2005**

(54) **ELECTRIC KETTLE**

(75) **Inventor:** **Christian Bjørn, Copenhagen (DK)**

(73) **Assignee:** **OBH Nordica Denmark A/S, Taastrup (DK)**

(**) **Term:** **14 Years**

(21) **Appl. No.:** **29/192,480**

(22) **Filed:** **Oct. 27, 2003**

(30) **Foreign Application Priority Data**

Apr. 25, 2003 (EM) 15359

(51) **LOC (6) Cl.** **07-01**

(52) **U.S. Cl.** **D7/318; D7/316**

(58) **Field of Search** D7/316-319, 300,
D7/322, 598, 600, 622, 305, 321; 219/441,
447, 437; 222/517, 472, 494, 143, 183,
169, 129.1, 129.2, 129.3, 129.4, 465.1,
478, 144.5, 131; D23/207

(56) **References Cited**

U.S. PATENT DOCUMENTS

1,569,445 A * 1/1926 Workman 222/144.5
D221,796 S * 9/1971 Greger D7/317
D225,365 S * 12/1972 Beckman D7/317

D293,871 S * 1/1988 Turner et al. D7/318
D326,978 S * 6/1992 Zimmermann D7/317
D343,983 S * 2/1994 Tardif D7/319
D365,721 S * 1/1996 Huang D7/317
D373,923 S * 9/1996 Huang D7/319
D389,369 S * 1/1998 Hippen D7/319
D405,640 S * 2/1999 Saltet D7/319
D414,071 S * 9/1999 Mork et al. D7/319
D454,468 S * 3/2002 Mano D7/318
D461,087 S * 8/2002 Hatsumoto D7/318
D478,766 S * 8/2003 Questelles D7/321

* cited by examiner

Primary Examiner—M. N. Pandozzi

(74) *Attorney, Agent, or Firm*—Browdy and Neimark PLLC

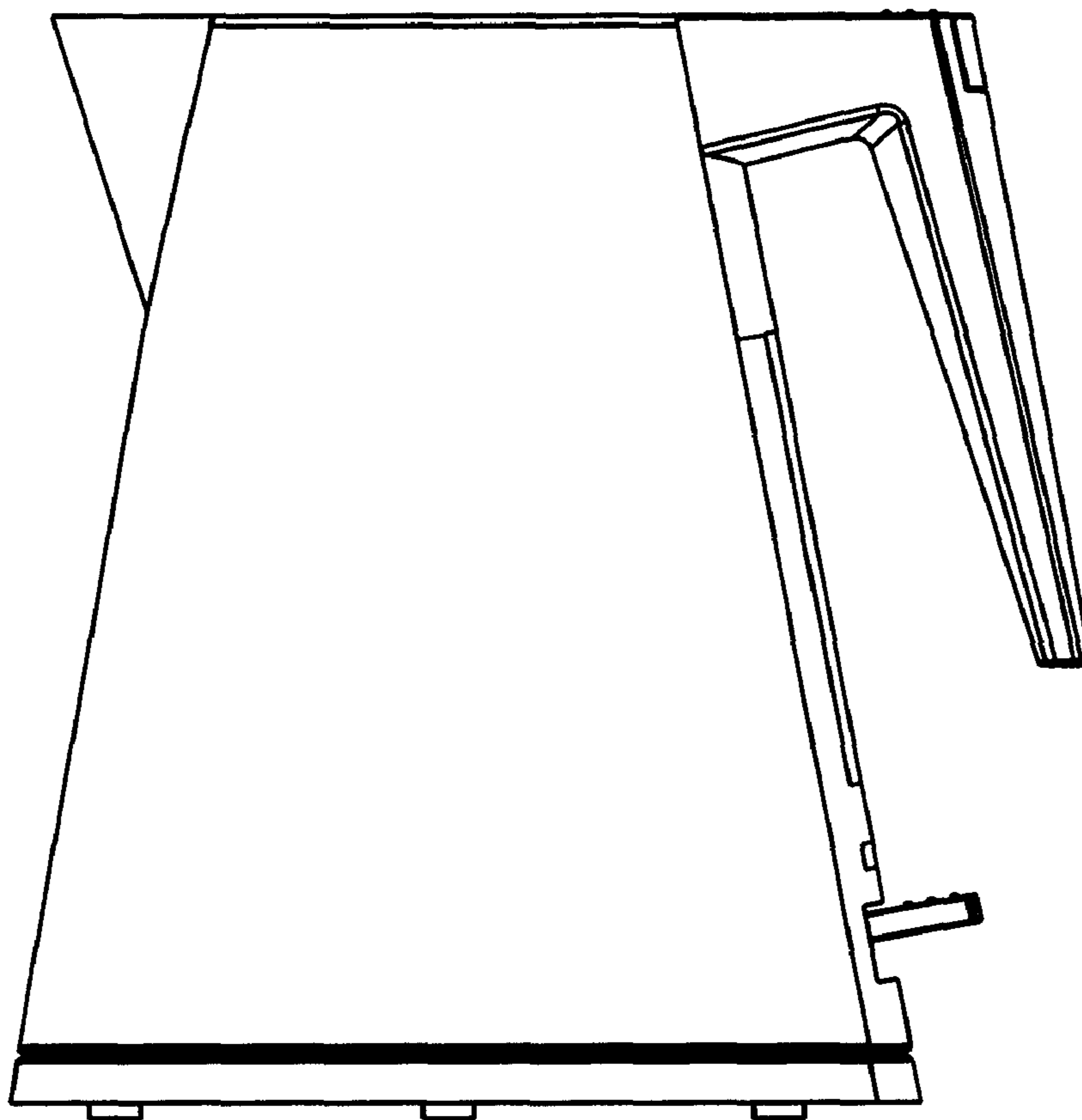
(57) **CLAIM**

The ornamental design for an electric kettle, as shown and described.

DESCRIPTION

FIG. 1 is a top plan view of an electric kettle;
FIG. 2 is a front view of an electric kettle;
FIG. 3 is a left side view of an electric kettle;
FIG. 4 is a rear view of an electric kettle; and,
FIG. 5 is a right side view of an electric kettle.

1 Claim, 5 Drawing Sheets



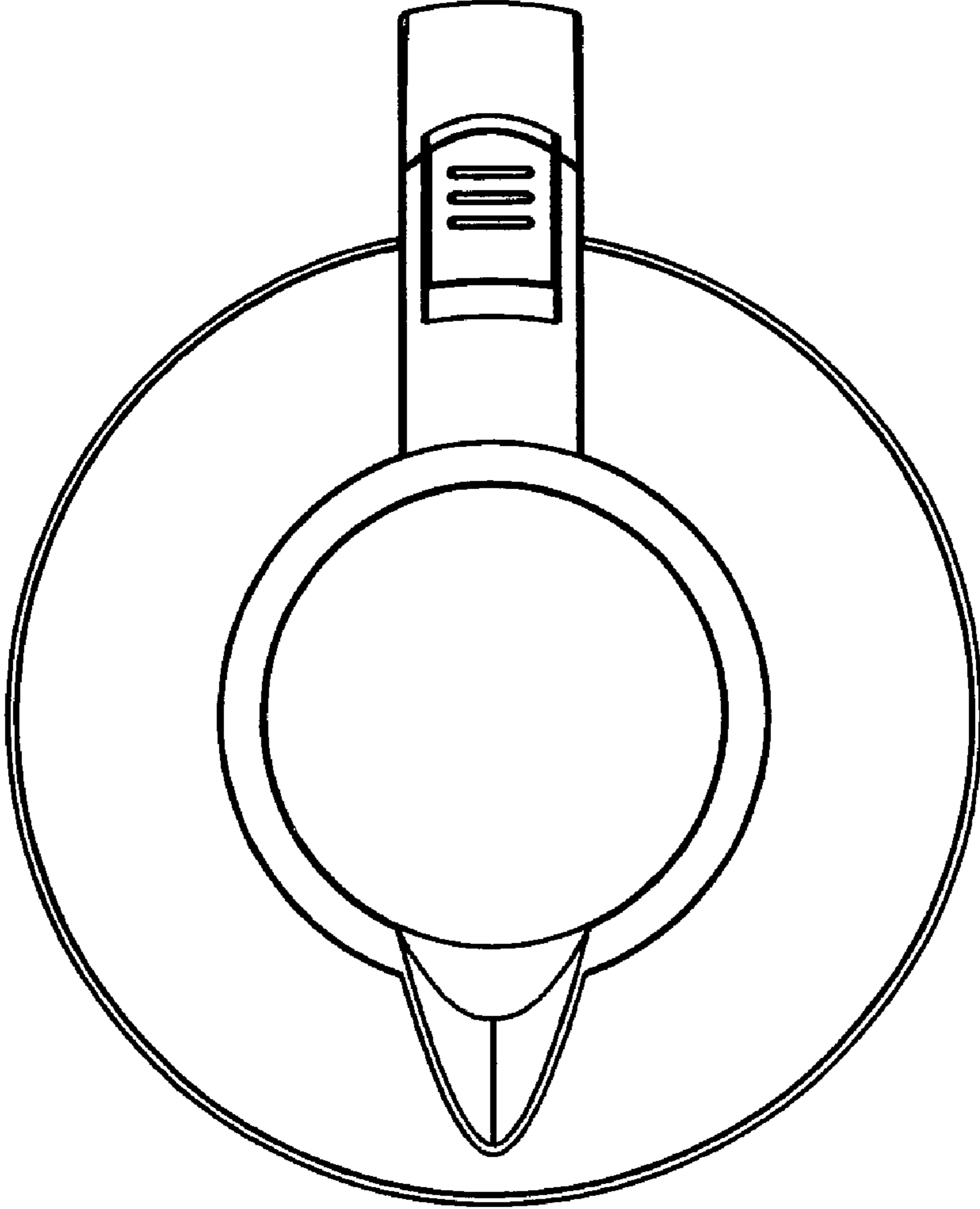


Figure 1

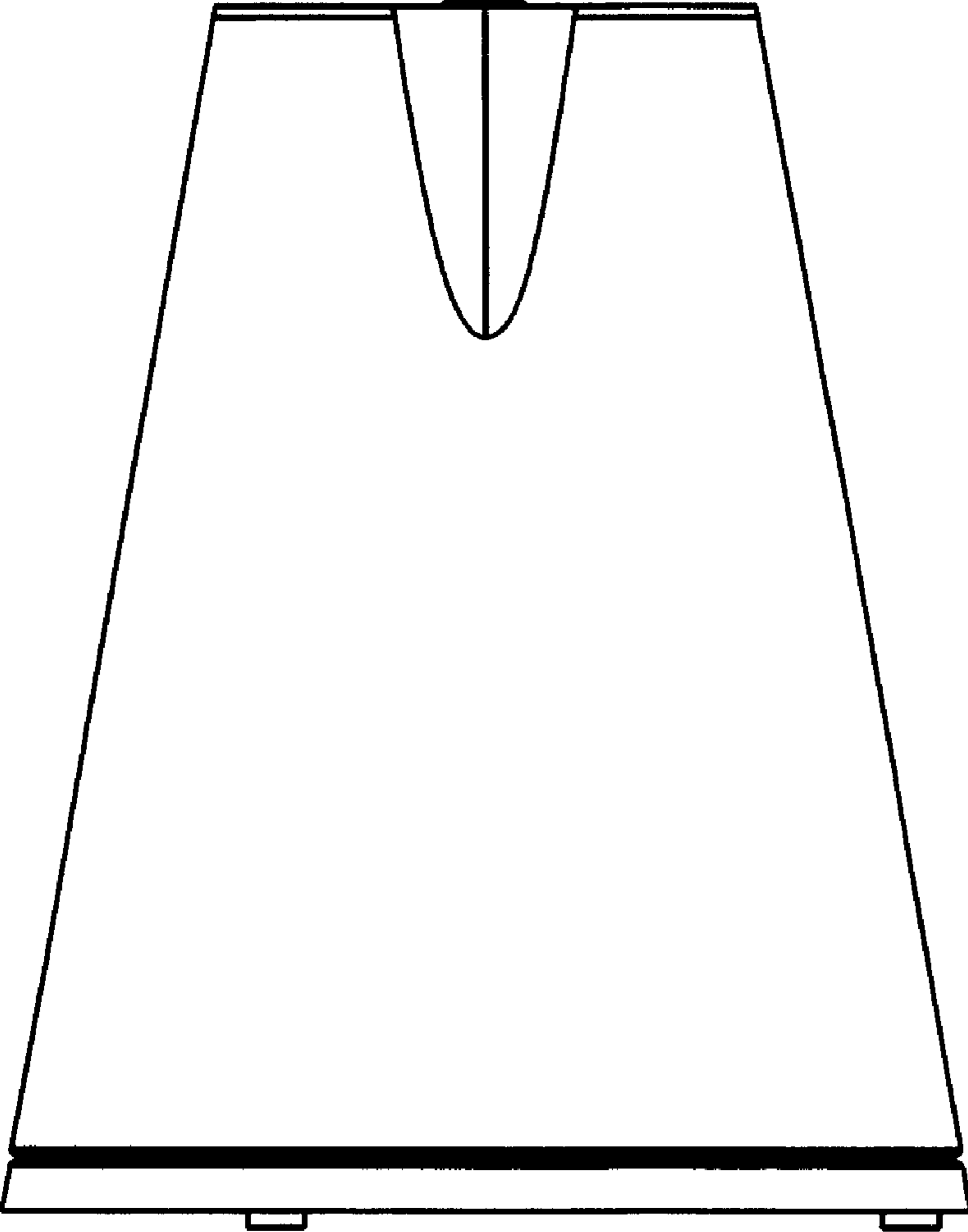


Figure 2

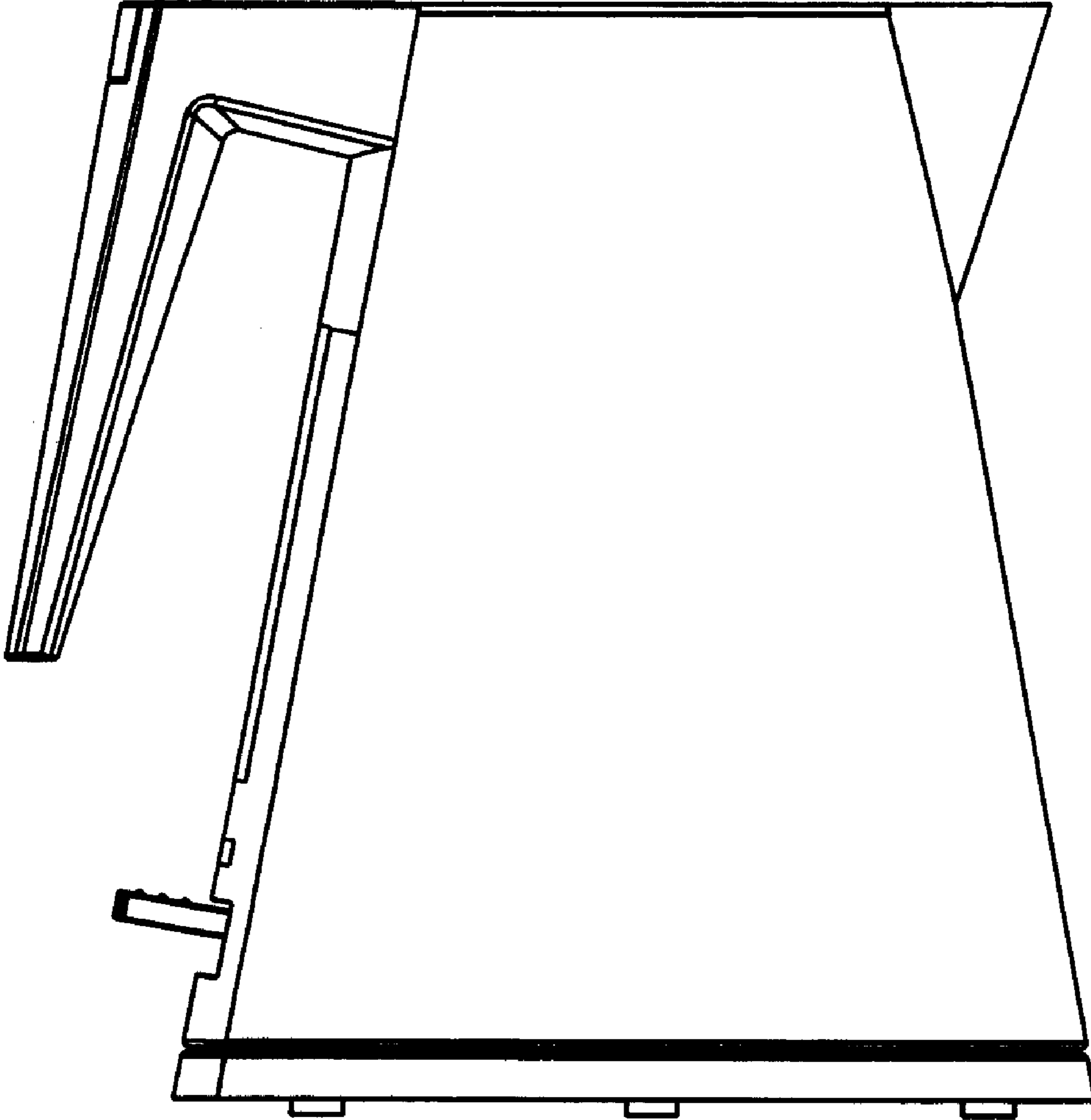


Figure 3

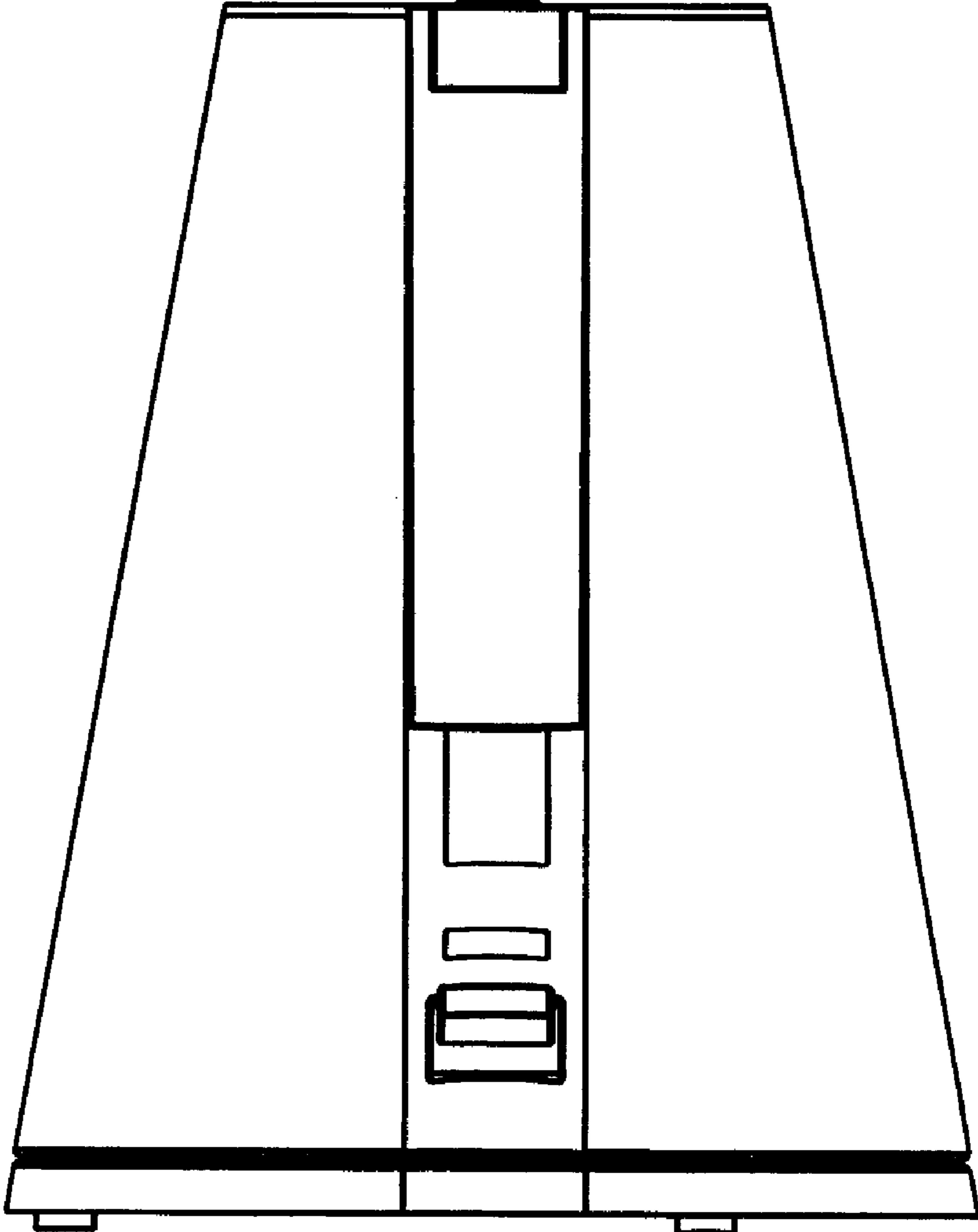


Figure 4

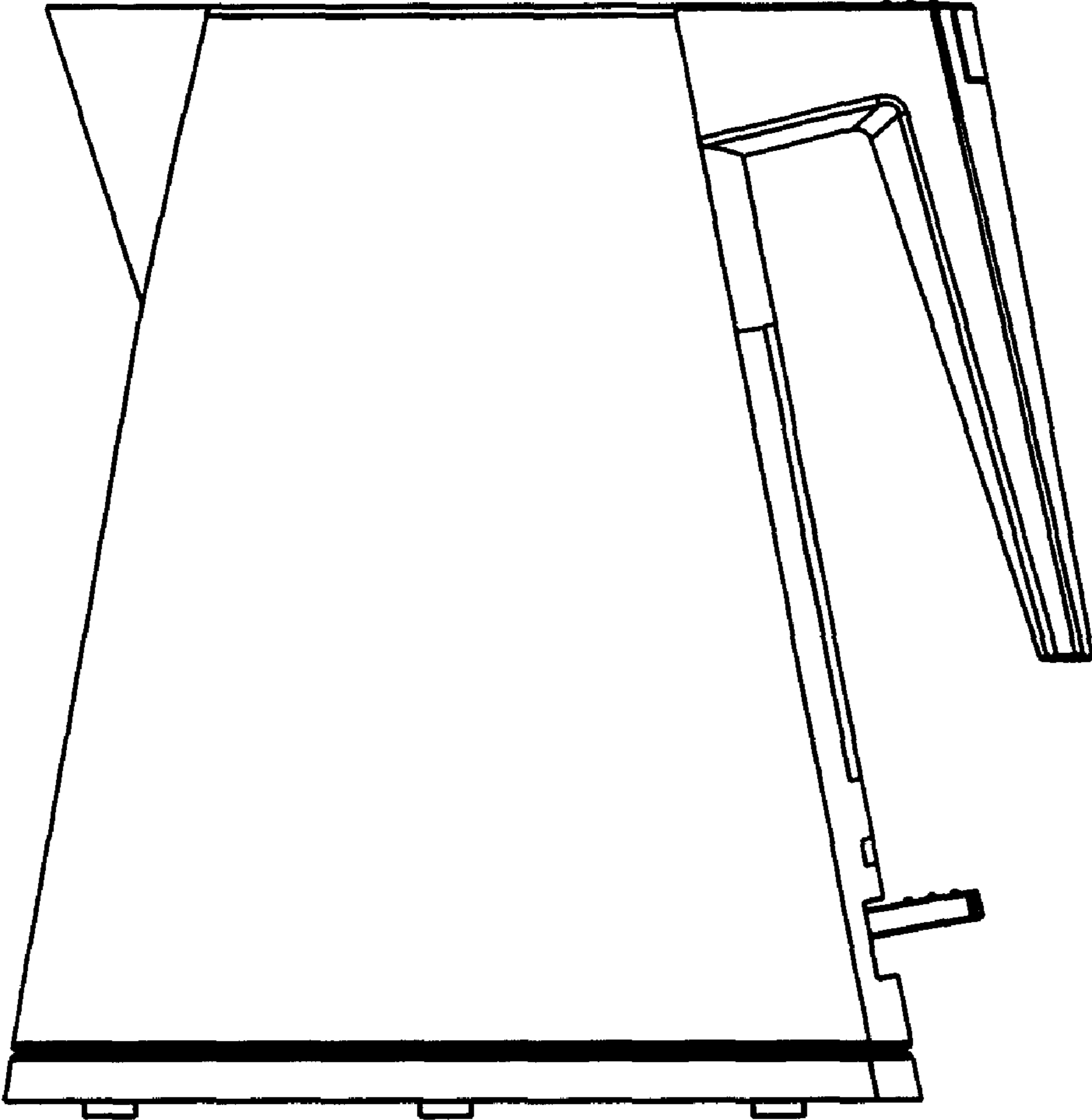


Figure 5