



US00D512596S

(12) **United States Design Patent**
Bjørn

(10) **Patent No.: US D512,596 S**
(45) **Date of Patent: ** Dec. 13, 2005**

(54) **ELECTRIC COFFEE MAKER**
(75) Inventor: **Christian Bjørn**, Copenhagen (DK)
(73) Assignee: **OBH Nordica Denmark A/S**, Taastrup (DK)
(**) Term: **14 Years**
(21) Appl. No.: **29/192,550**
(22) Filed: **Oct. 27, 2003**
(30) **Foreign Application Priority Data**
Apr. 25, 2003 (EM) 15359

5,485,778 A * 1/1996 Ullmann 99/295
D369,268 S * 4/1996 Assmann et al. D7/309
D386,039 S * 11/1997 Dingelstad D7/309
D400,045 S * 10/1998 Schade D7/309
D411,705 S * 6/1999 Littmann D7/309
D440,811 S * 4/2001 Littmann et al. D7/309
D446,987 S * 8/2001 Bureaux D7/309
D447,903 S * 9/2001 Lin D7/309
D447,904 S * 9/2001 Kling D7/309
D457,376 S * 5/2002 Lin D7/309
D479,088 S * 9/2003 Yao D7/309
D481,902 S * 11/2003 OaConnor et al. D7/309
D484,733 S * 1/2004 Kling et al. D7/309
D488,949 S * 4/2004 Moisan D7/309
D489,214 S * 5/2004 Noda et al. D7/309

* cited by examiner

(51) **LOC (6) Cl.** **07-01**
(52) **U.S. Cl.** **D7/309; D7/310; D7/311**
(58) **Field of Search** D7/300, 309, 310,
D7/311, 306, 305, 312, 37; 99/293, 295,
283, 275, 304, 285, 284, 289 R, 280; 222/169,
367, 129.1, 129.4, 129.2, 129.3; 219/432,
433; 220/504; 392/467

Primary Examiner—M. N. Pandozzi
(74) *Attorney, Agent, or Firm*—Browdy and Neimark PLLC

(57) **CLAIM**

The ornamental design for an electric coffee maker, as shown and described.

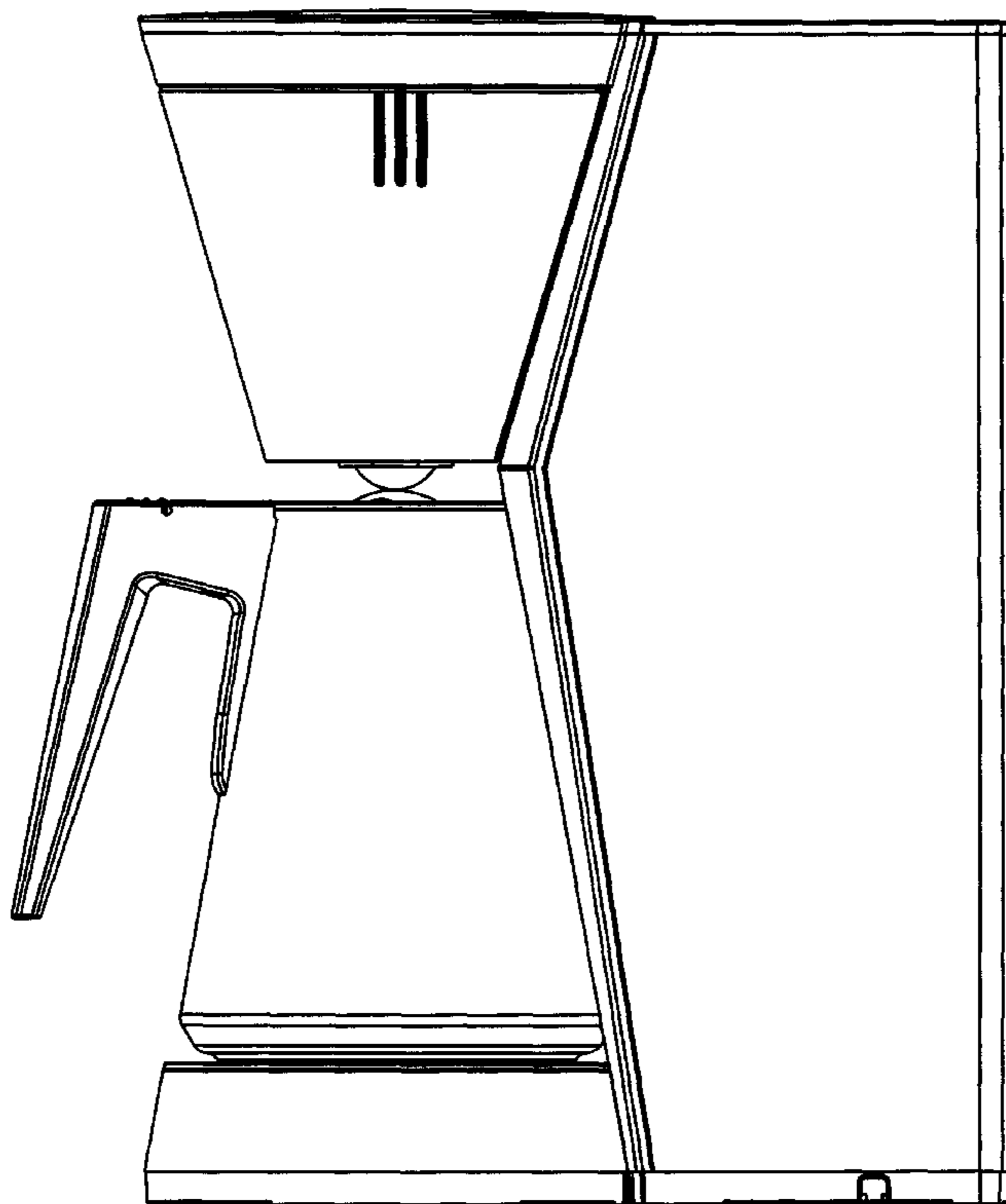
(56) **References Cited**
U.S. PATENT DOCUMENTS

D257,475 S * 11/1980 Luehe D7/309
D336,586 S * 6/1993 Dingelstad et al. D7/309
D342,413 S * 12/1993 Ullmann D7/309
D342,639 S * 12/1993 Ullmann D7/309
D347,350 S * 5/1994 Ullmann D7/309
D354,878 S * 1/1995 Lin D7/309
D355,561 S * 2/1995 Ullman D7/309

DESCRIPTION

FIG. 1 is a rear view of an electric coffee maker;
FIG. 2 is a left side view of an electric coffee maker;
FIG. 3 is a front view of an electric coffee maker;
FIG. 4 is a right side view of an electric coffee maker; and,
FIG. 5 is a top plan view of an electric coffee maker.

1 Claim, 5 Drawing Sheets



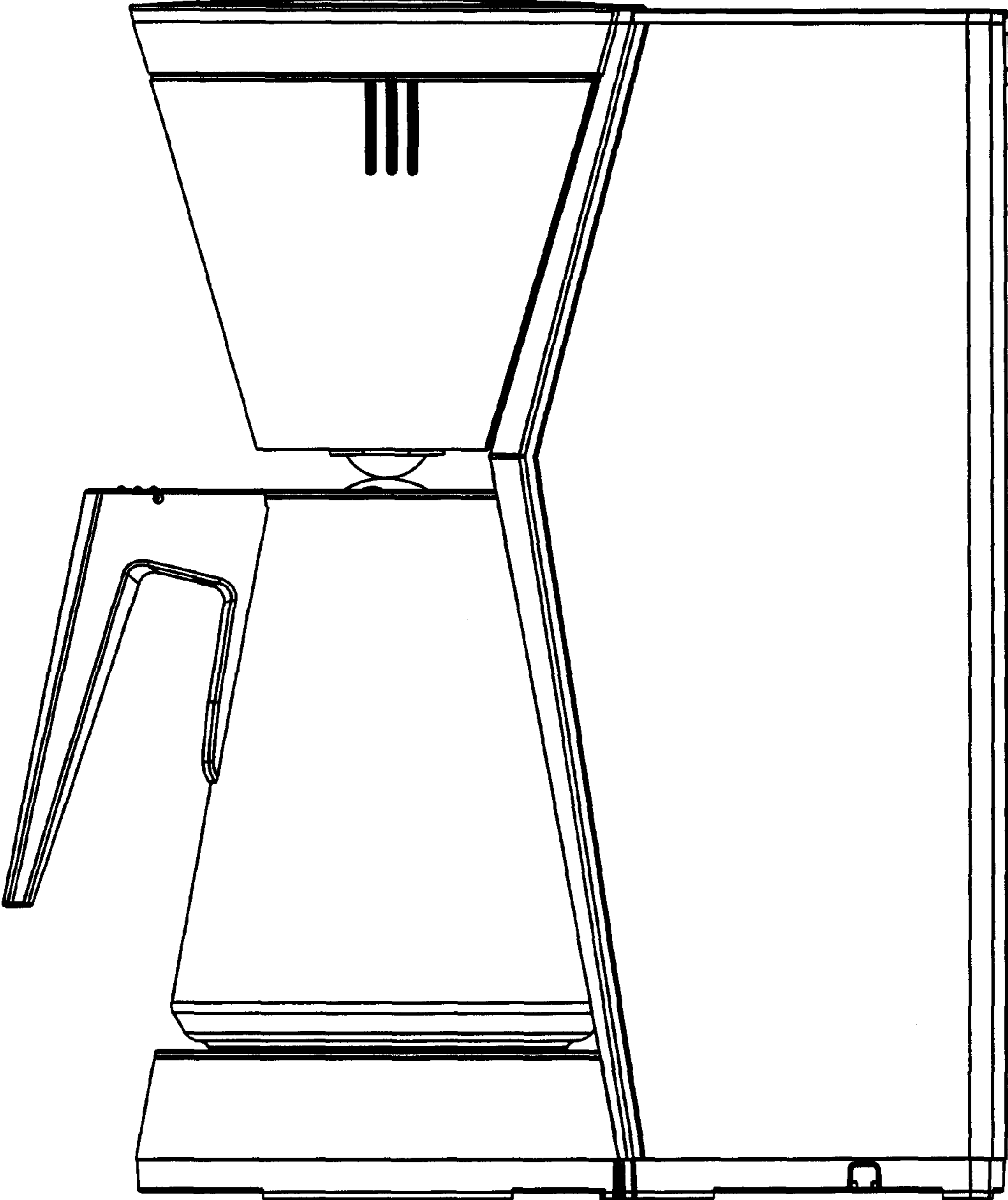


Figure 1

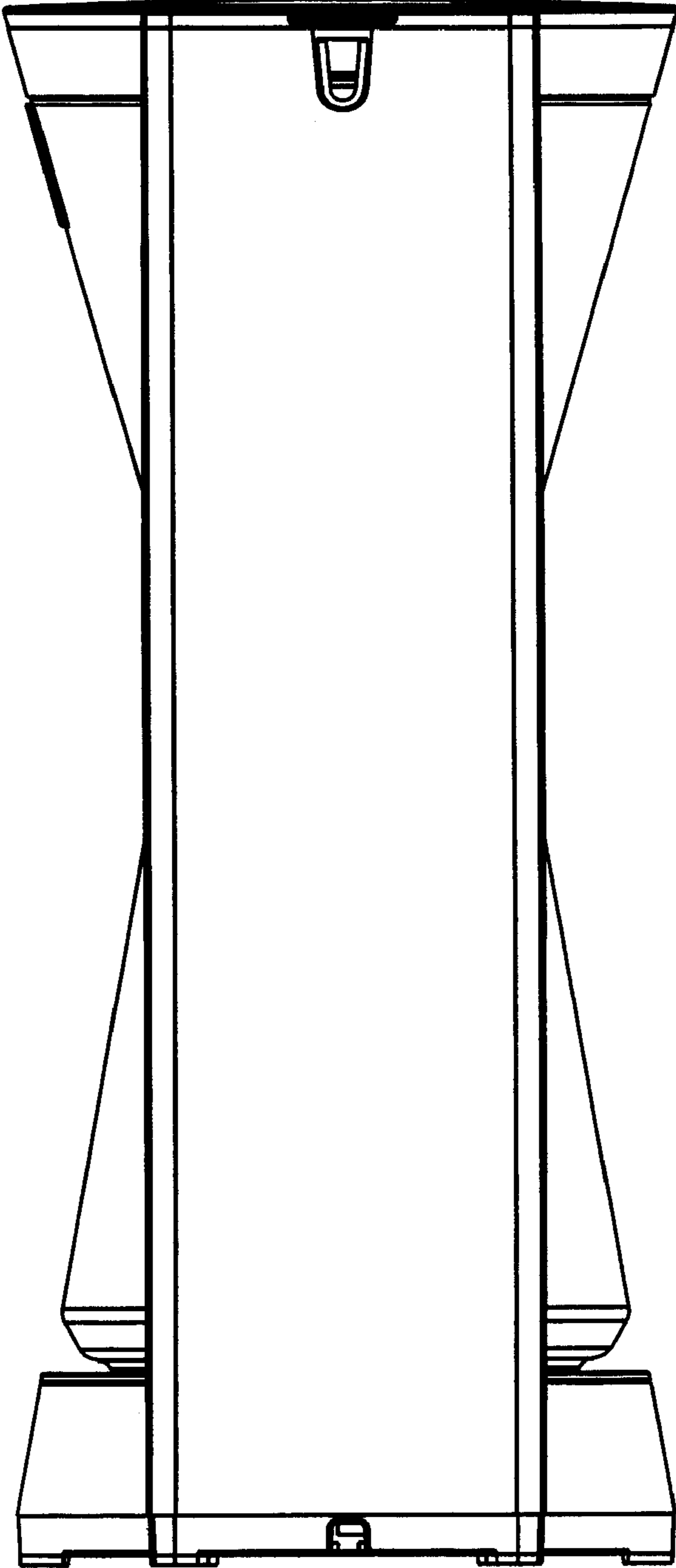


Figure 2

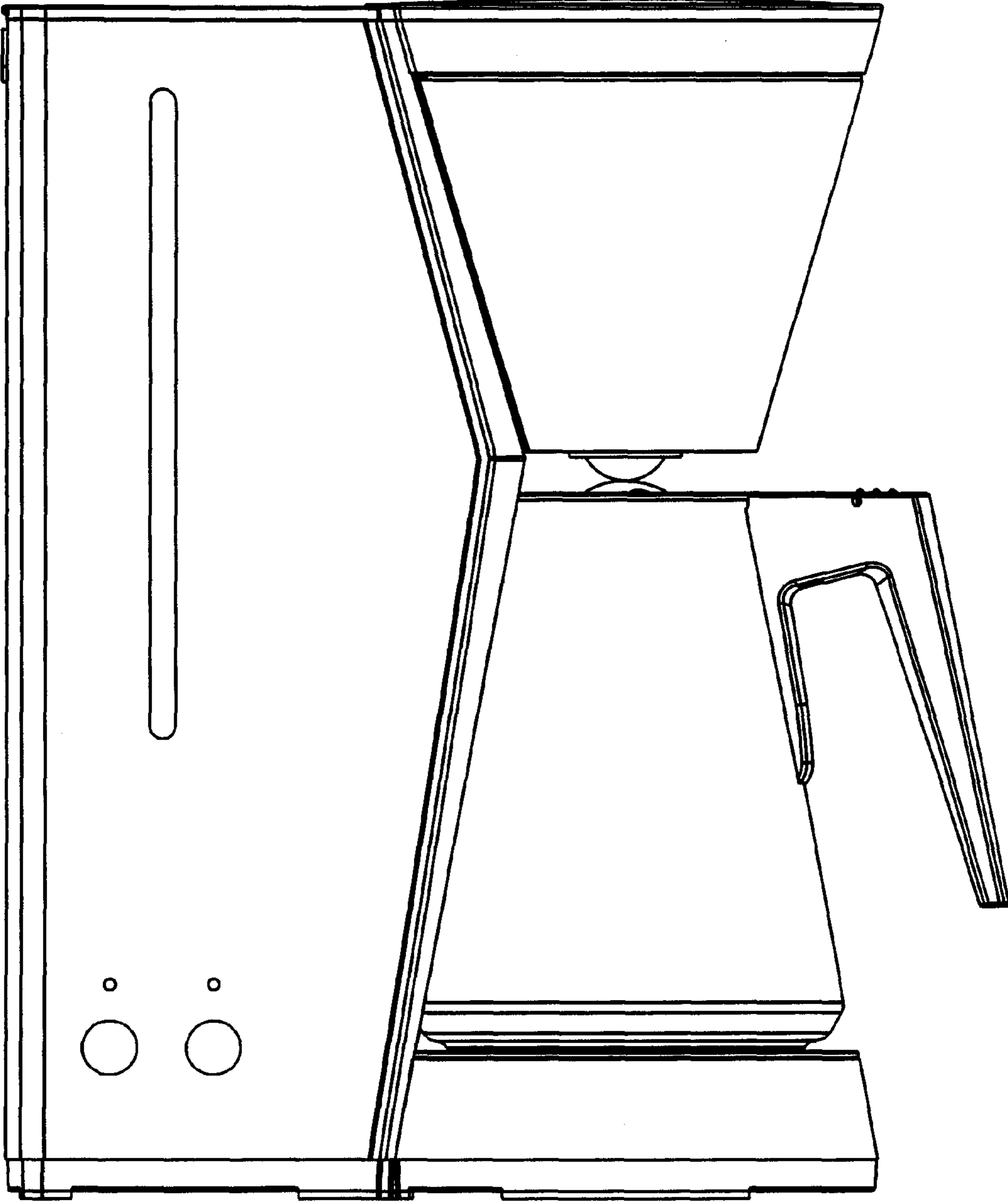


Figure 3

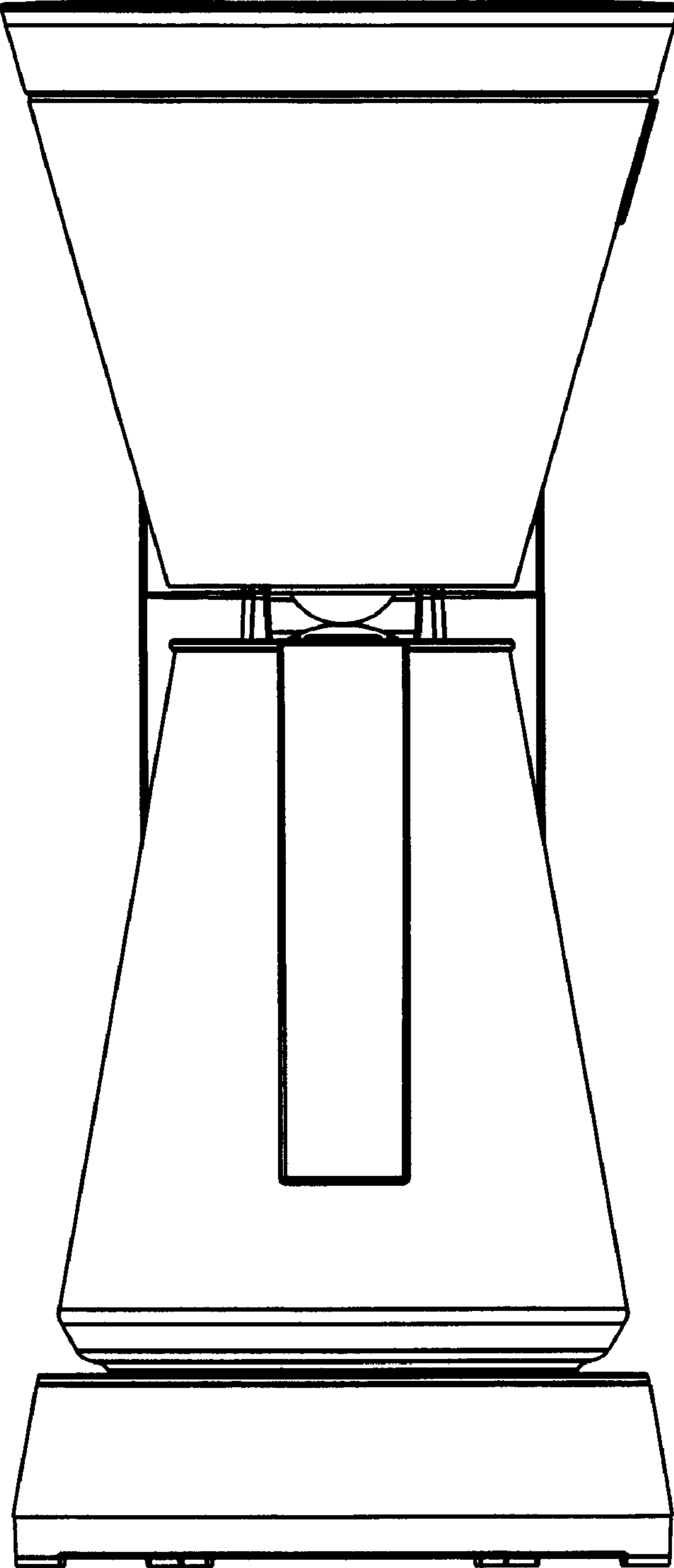


Figure 4

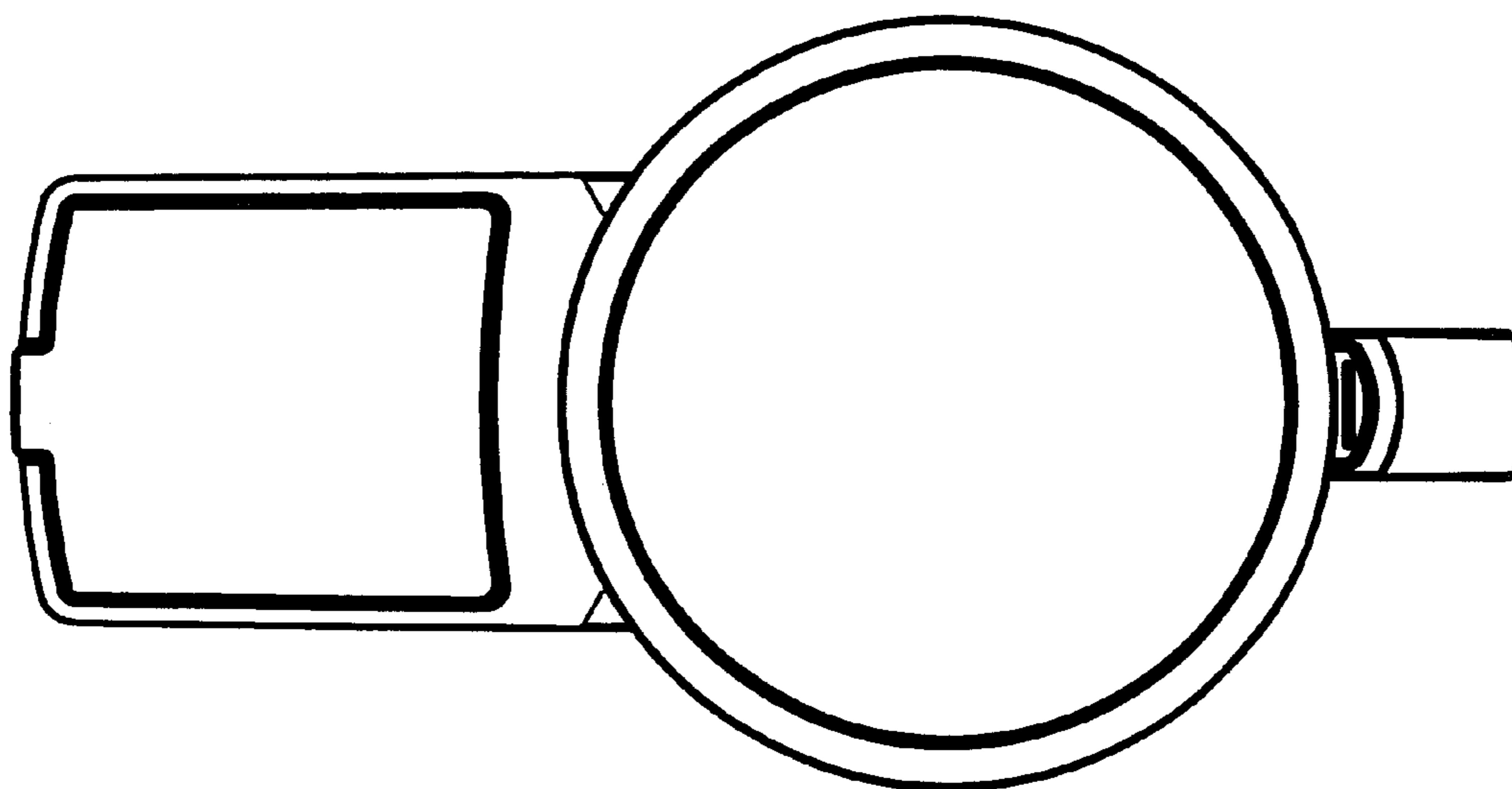


Figure 5