



US00D512591S

(12) **United States Design Patent**
Ferrer Beltran

(10) **Patent No.: US D512,591 S**

(45) **Date of Patent: ** Dec. 13, 2005**

(54) **ROLLHOLDER FOR BATHROOM**

(75) **Inventor: Jose M. Ferrer Beltran, Bonrepos (ES)**

(73) **Assignee: Ibergesfer, S.L. (ES)**

(**) **Term: 14 Years**

(21) **Appl. No.: 29/185,333**

(22) **Filed: Jun. 26, 2003**

(30) **Foreign Application Priority Data**

Feb. 20, 2003 (ES) 156282

(51) **LOC (6) Cl. 23-02**

(52) **U.S. Cl. D6/523**

(58) **Field of Search** D6/546-550, 518-519,
D6/522-524; D8/300, 303, 315-321, 354,
363, 373, 380; 108/28-29; 211/13.1, 16,
60.1, 86.01, 87.01, 88.01, 88.04, 100, 105.1-105.2,
123, 126.1, 133.6, 134, 181.1, 182; 248/175,
176.1, 200, 251, 302, 309.1; 16/110.1,
412, 415; 242/570, 590, 595-598; 206/389,
557

(56) **References Cited**

U.S. PATENT DOCUMENTS

D374,585 S * 10/1996 Moon D6/523

D436,477 S * 1/2001 Ming-Hsiao D6/523
D466,735 S * 12/2002 Moore D6/523
D471,748 S * 3/2003 Moore D6/523
D479,931 S * 9/2003 Gilbert D6/549

* cited by examiner

Primary Examiner—Brian N Vinson

(74) *Attorney, Agent, or Firm*—Lackebach Siegel, LLP

(57) **CLAIM**

The ornamental design for the rollholder for bathroom, as shown and described.

DESCRIPTION

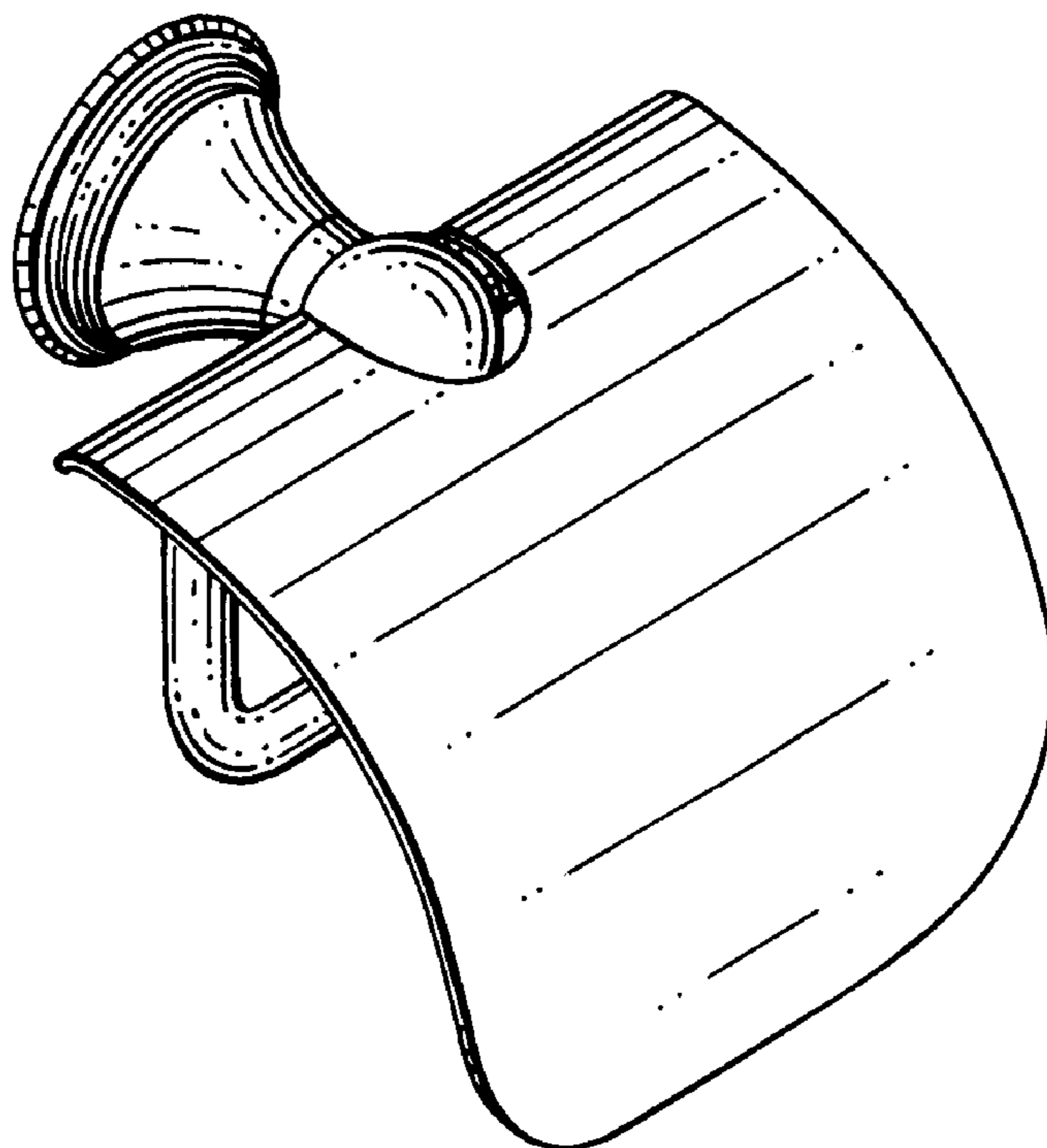
FIG. 1 is a right or left side elevational view of the rollholder;

FIG. 2 is a front elevational view of the rollholder of FIG. 1;

FIG. 3 is a top plan view of the rollholder of FIG. 1; and,

FIG. 4 is front perspective exploded view of the rollholder of FIG. 1.

1 Claim, 2 Drawing Sheets



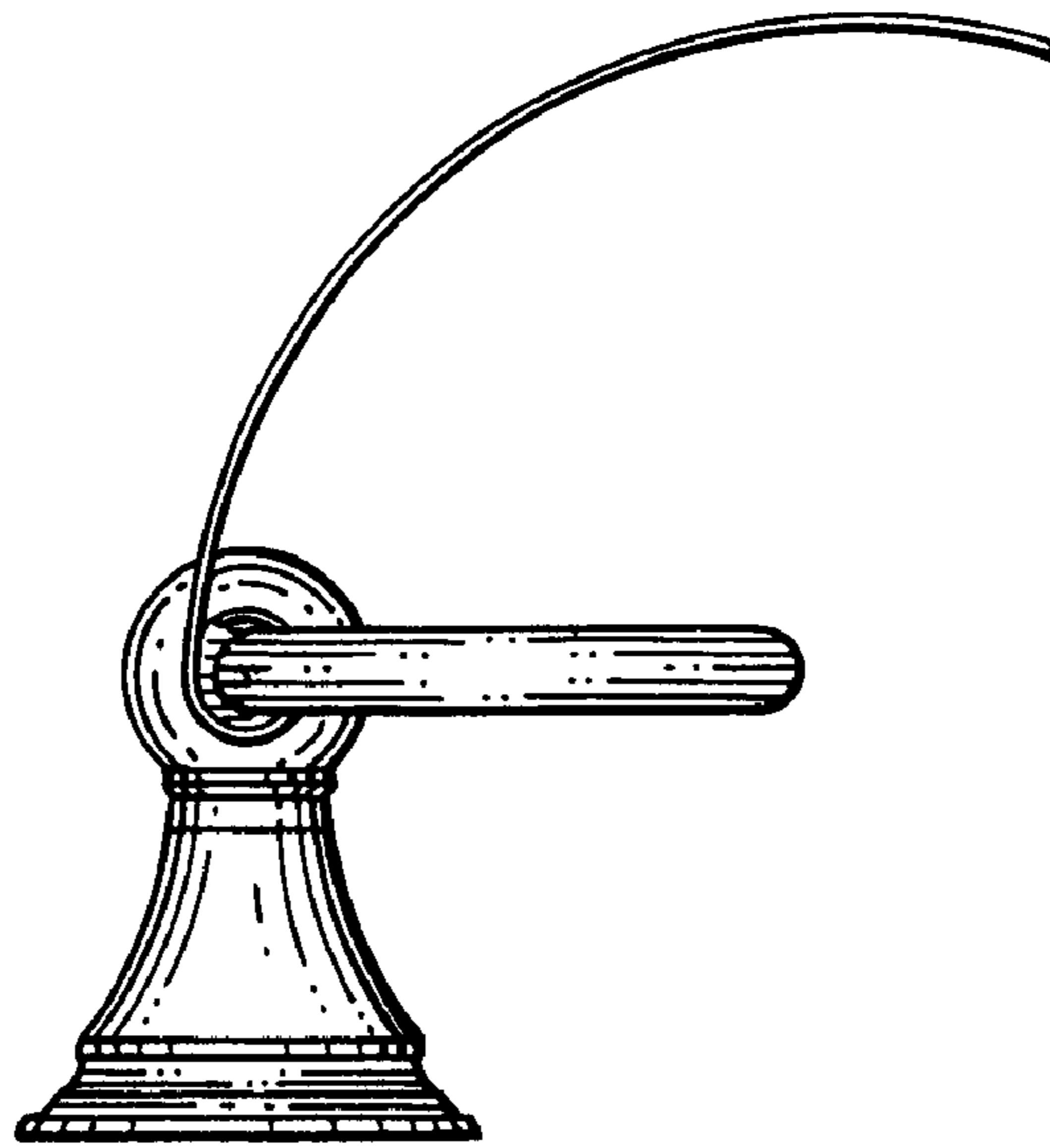


FIG. 1

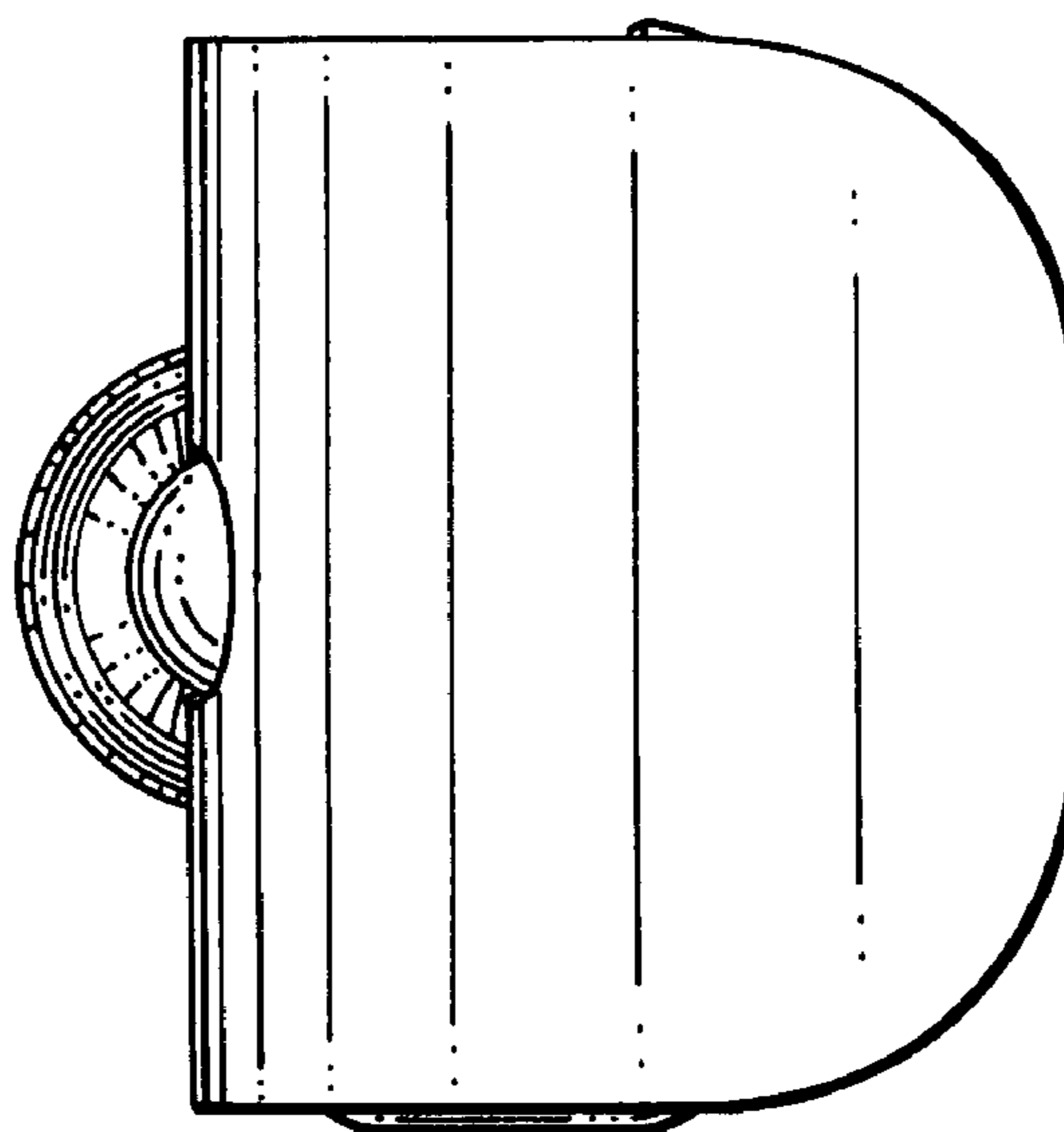


FIG. 2

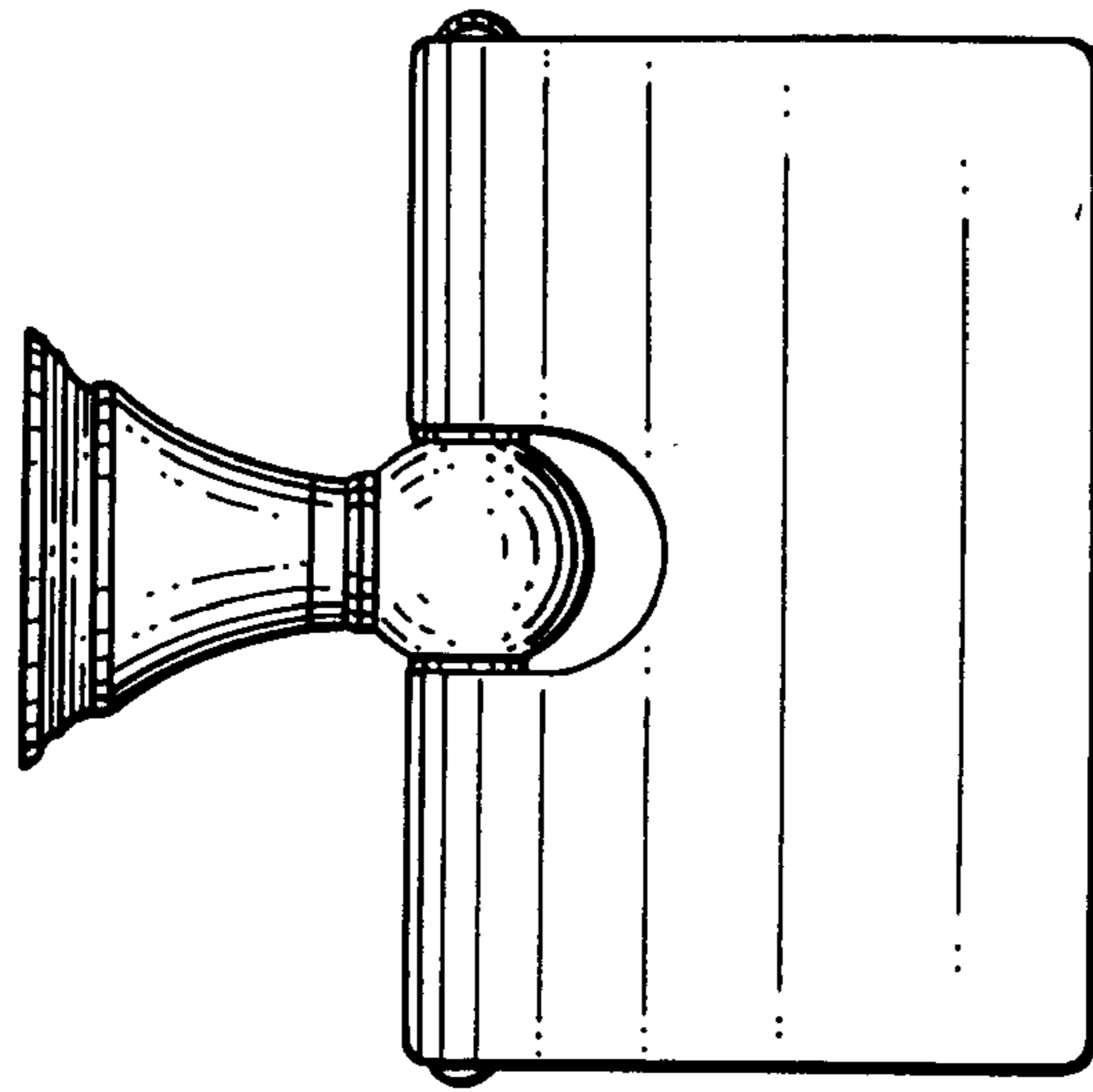


FIG. 3

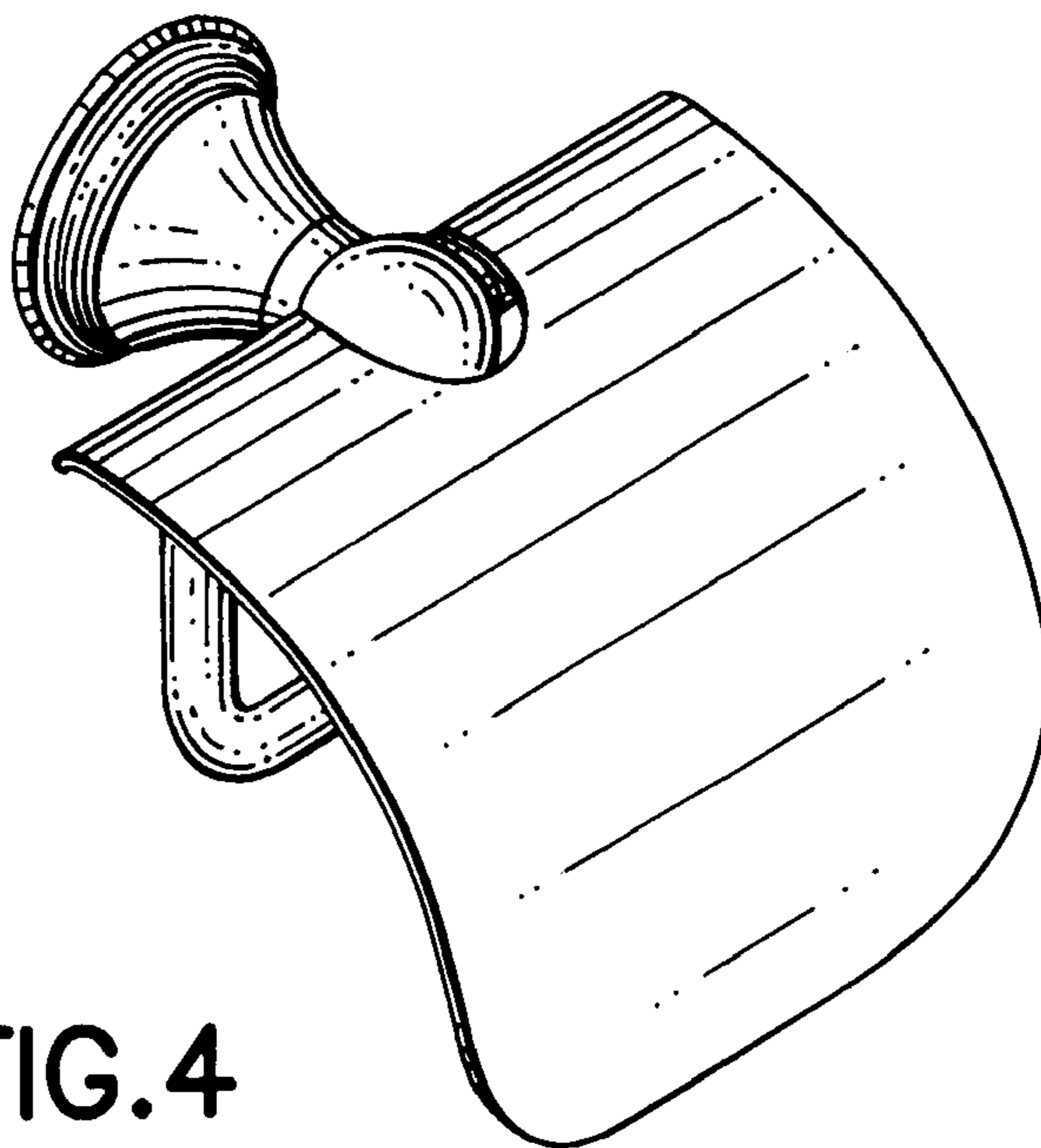


FIG. 4