



US00D512587S

(12) **United States Design Patent** (10) **Patent No.:** **US D512,587 S**
Frenkler et al. (45) **Date of Patent:** **** Dec. 13, 2005**

(54) **TABLE**

(75) Inventors: **Fritz Frenkler**, Frankfurt (DE); **Sven Birkenheuer**, Frankfurt (DE); **Hisashi Ejima**, Osaka (JP)

(73) Assignee: **Kokuyo Co., Ltd.**, Osaka (JP)

(**) Term: **14 Years**

(21) Appl. No.: **29/222,897**

(22) Filed: **Feb. 7, 2005**

Related U.S. Application Data

(62) Division of application No. 29/202,607, filed on Apr. 2, 2004.

(30) **Foreign Application Priority Data**

Oct. 22, 2003	(JP)	D2003-031152
Oct. 22, 2003	(JP)	D2003-031153

(51) **LOC (6) Cl.** **06-03**

(52) **U.S. Cl.** **D6/480**

(58) **Field of Search** D6/480-489, 495, D6/497-499, 511; D8/403; 108/151, 153.1, 155, 156, 157.1, 161; 248/188, 188.1, 188.7, 188.8

(56) **References Cited**

U.S. PATENT DOCUMENTS

2,787,087 A	*	4/1957	Whitman	248/188.3
3,093,924 A	*	6/1963	Pompa	248/345.1
D198,218 S	*	5/1964	Blluk	D6/480
D330,299 S	*	10/1992	Saotome	D6/429
D332,887 S	*	2/1993	Fjello-Jensen	D6/496
D489,551 S	*	5/2004	Cesaroni et al.	D6/480

* cited by examiner

Primary Examiner—Janice E. Seeger

(74) *Attorney, Agent, or Firm*—Banner & Witcoff Ltd.

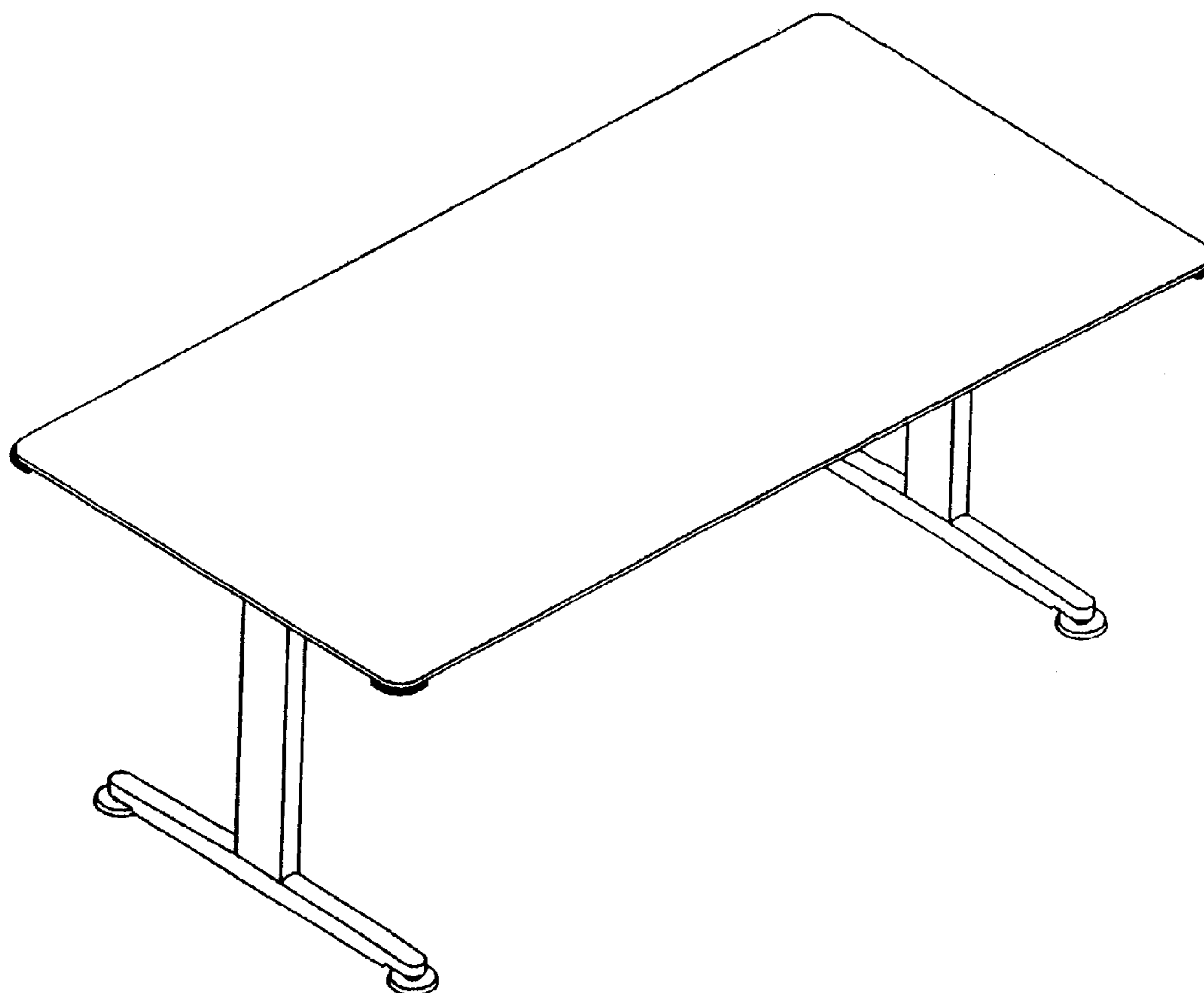
(57) **CLAIM**

The ornamental design for a table, as shown and described.

DESCRIPTION

FIG. 1 is a front elevational view of an embodiment of a table showing our new design;
 FIG. 2 is a top plan view thereof;
 FIG. 3 is a bottom plan view thereof;
 FIG. 4 is a right side elevational view thereof, the left side being a mirror image thereof; and,
 FIG. 5 is a perspective view.

1 Claim, 5 Drawing Sheets



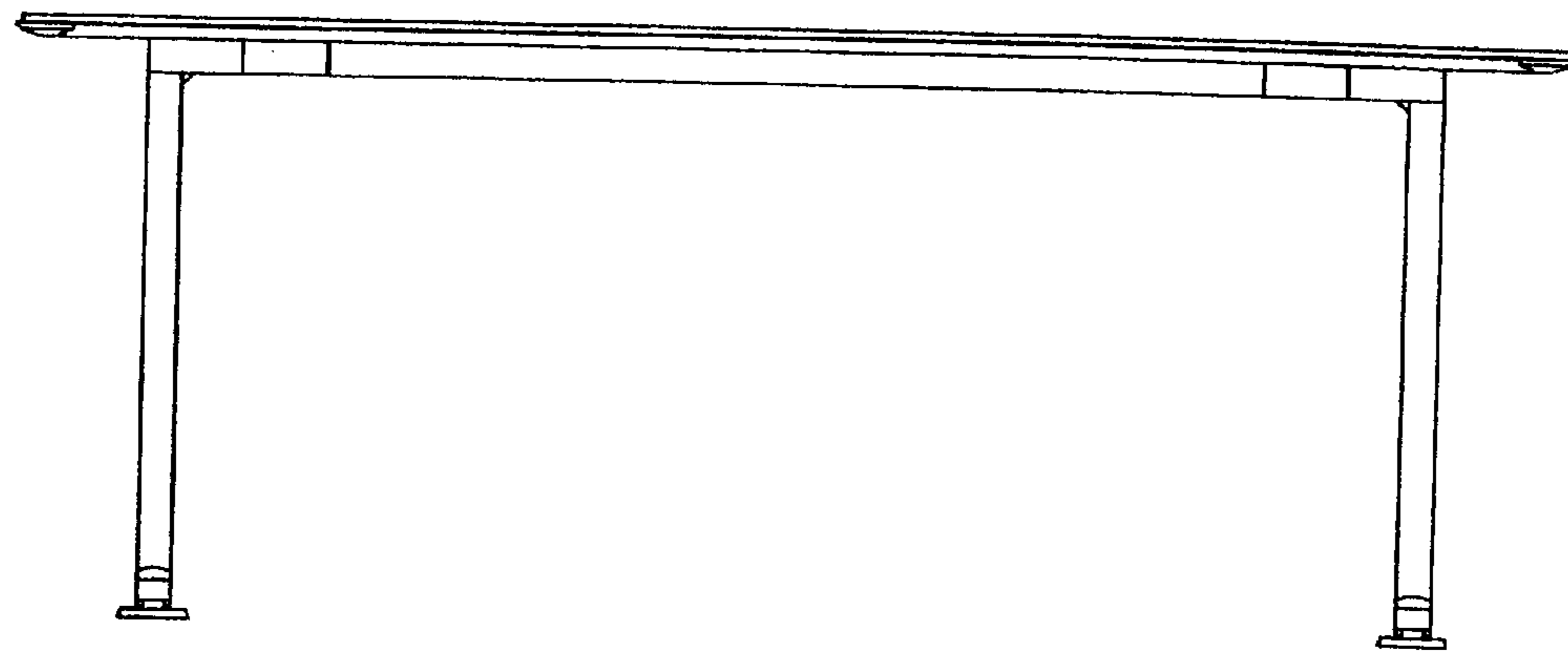


FIG. 1

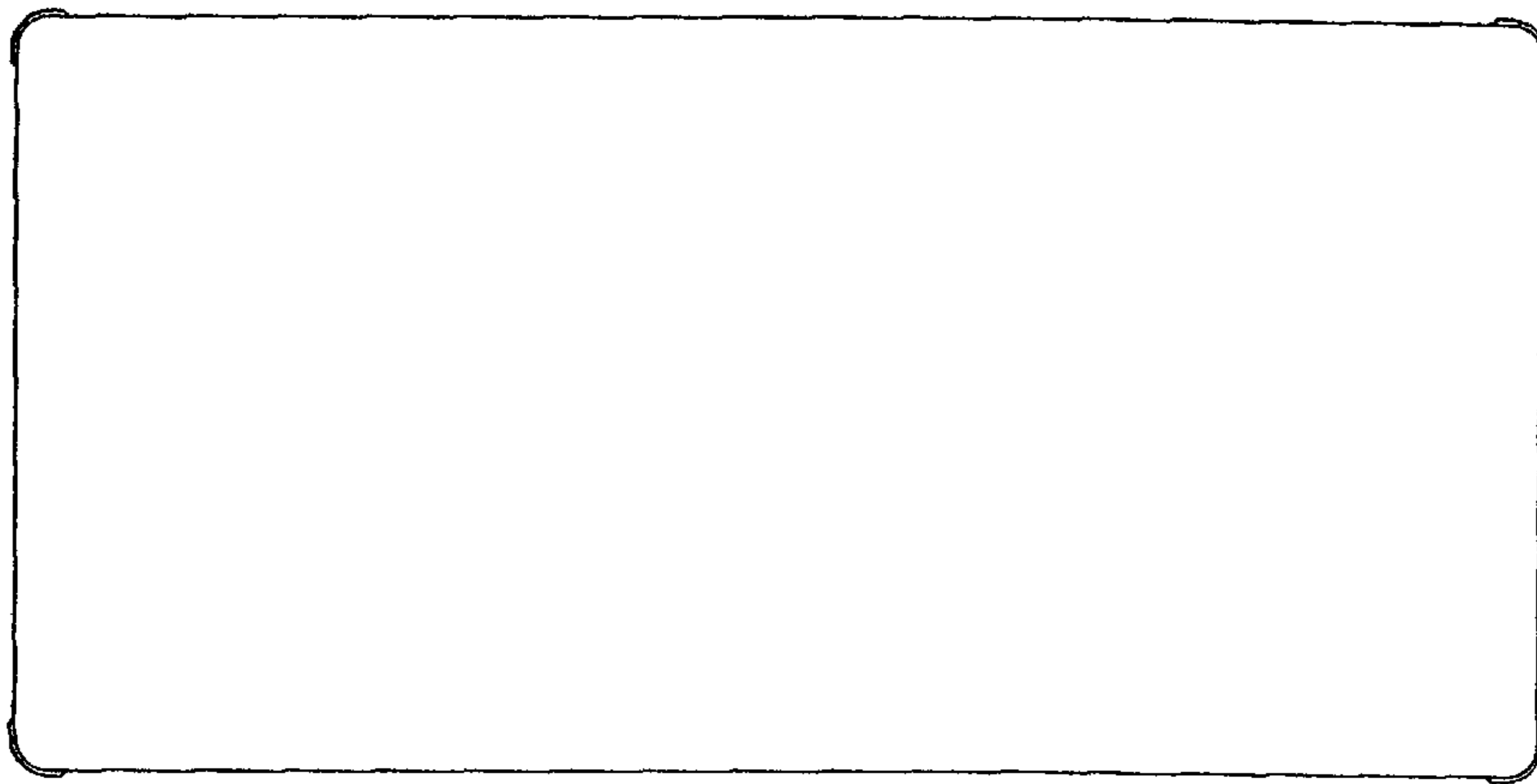


FIG. 2

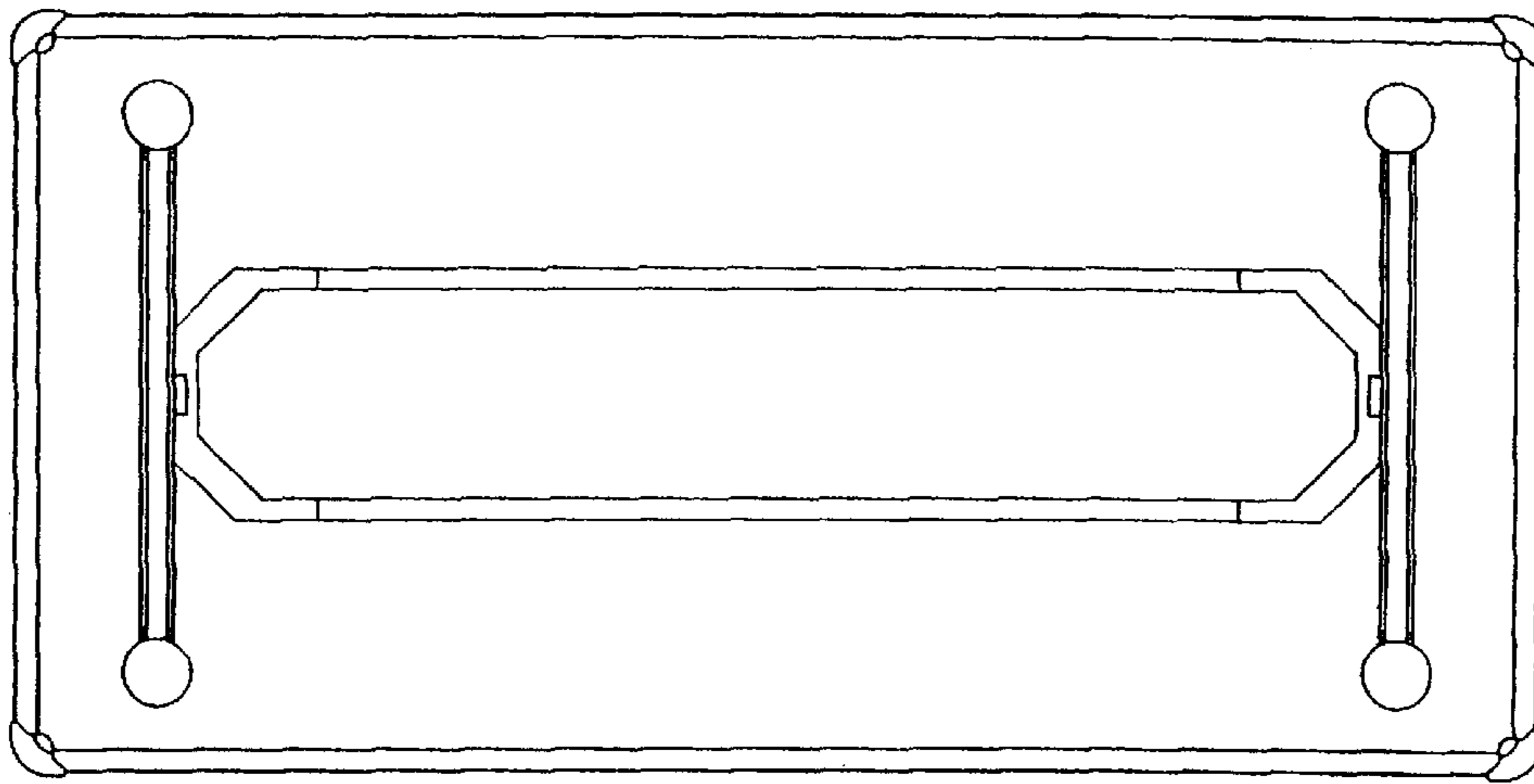


FIG. 3

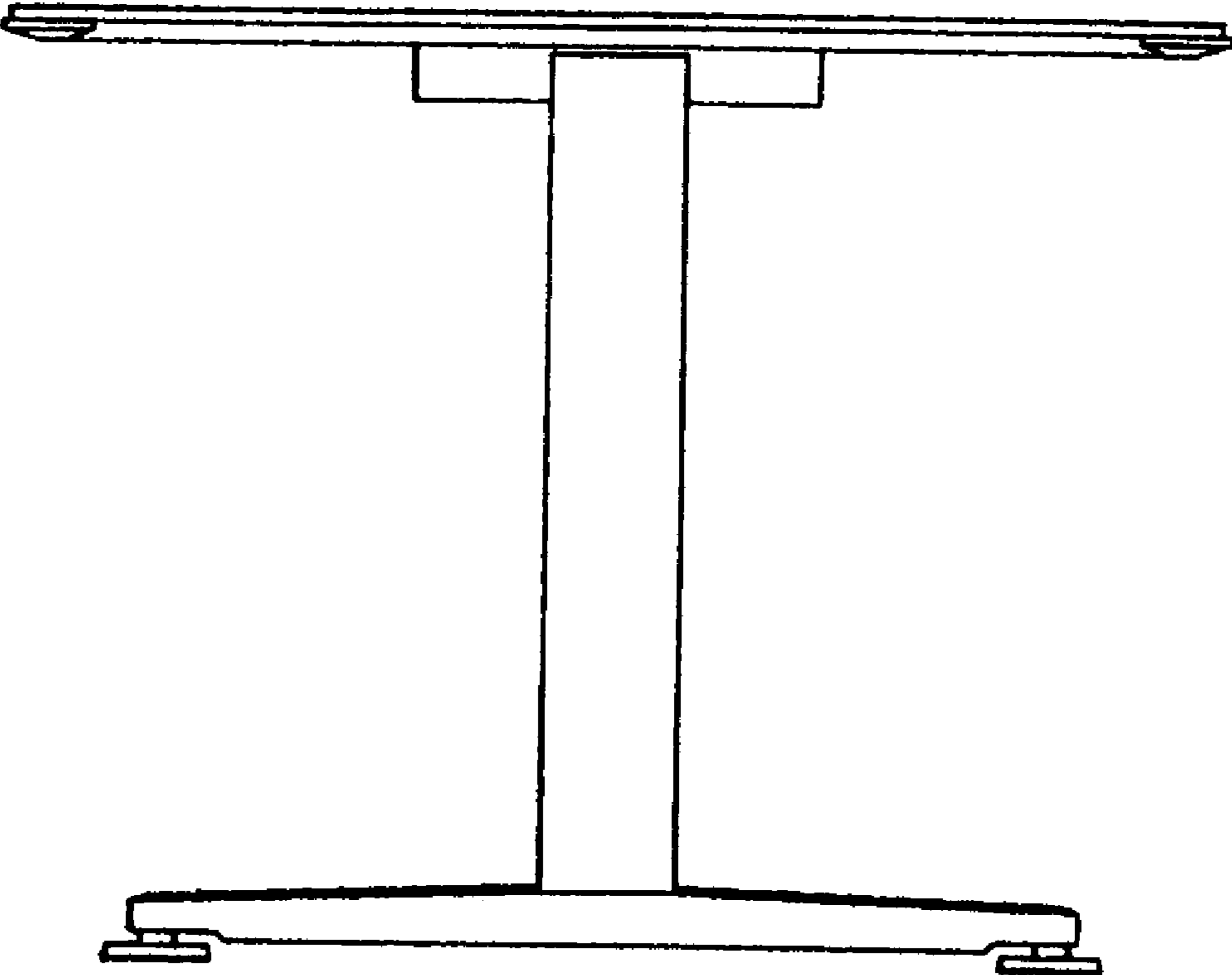


FIG. 4

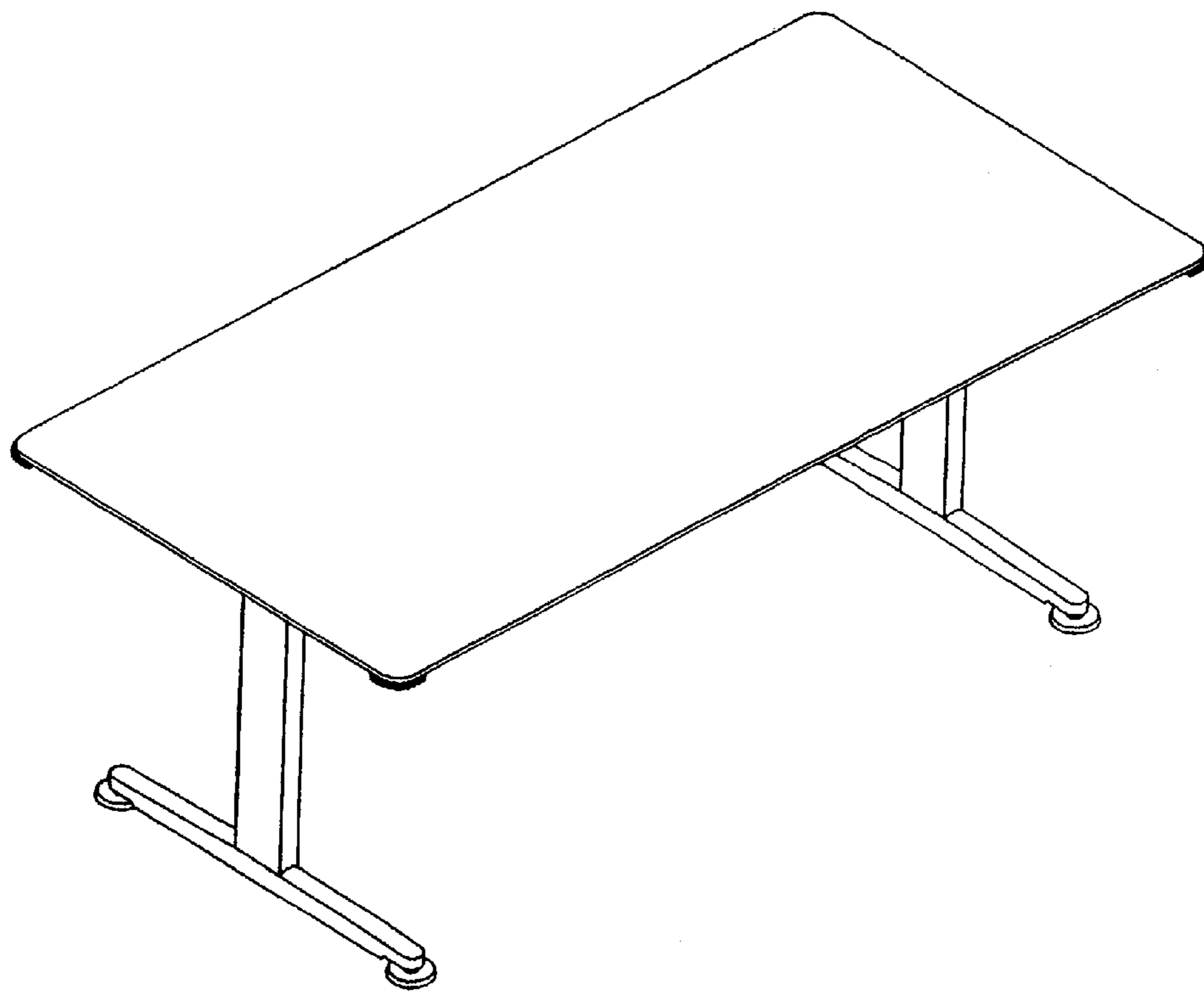


FIG. 5