



US00D512586S

(12) **United States Design Patent** (10) **Patent No.:** **US D512,586 S**
Cross (45) **Date of Patent:** **** Dec. 13, 2005**

(54) **TABLE WITH ANGLED LEGS**

(75) Inventor: **Curtis L. Cross**, 3663 Columbiaville Rd., Columbiaville, MI (US) 48421

(73) Assignee: **Curtis L. Cross**, Columbiaville, MI (US)

(**) Term: **14 Years**

(21) Appl. No.: **29/206,011**

(22) Filed: **May 24, 2004**

(51) **LOC (6) Cl.** **06-03**

(52) **U.S. Cl.** **D6/480**

(58) **Field of Search** D6/480-489, 495, D6/497-499, 511, 349; 108/151, 153.1, 155, 156, 157.1, 161; 248/188, 188.1, 188.7, 188.8

(56) **References Cited**

U.S. PATENT DOCUMENTS

D258,033 S * 1/1981 Mioni D6/484
4,383,488 A * 5/1983 Macho et al. 108/129
D406,708 S * 3/1999 Hilton D6/480

OTHER PUBLICATIONS

Country Casual, Mar. 24, 1994, p. 25, tables.*
Smith and Hawkin Jan. 14, 1997, p. 35, table.*

* cited by examiner

Primary Examiner—Janice E. Seeger
(74) *Attorney, Agent, or Firm*—Reising, Ethington, Barnes, Kisselle & Learman, P.C.

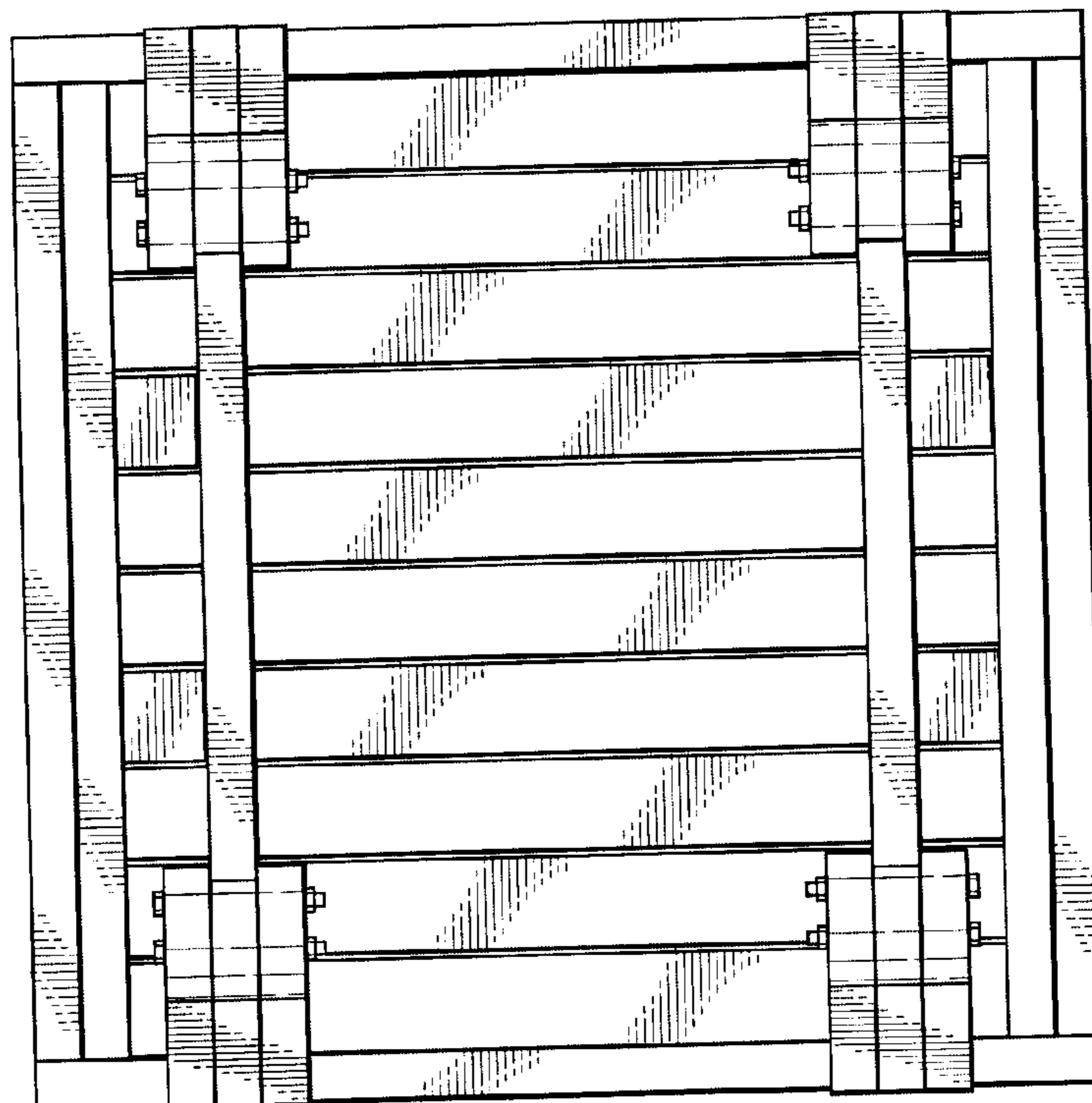
(57) **CLAIM**

The ornamental design for a table with angled legs, as shown and described.

DESCRIPTION

FIG. 1 is a perspective view of a table with angled legs;
FIG. 2 is an end elevational view of the table with angled legs;
FIG. 3 is a side elevational view of the table with angled legs;
FIG. 4 is a top plan view of the table with angled legs;
FIG. 5 is a top plan view of the table with angled legs;
FIG. 6 is a perspective plan view of a long table with angled legs; showing an alternate embodiment of my new design;
FIG. 7 is an end elevational view of the long table with angled legs;
FIG. 8 is a side elevational view of the long table with angled legs;
FIG. 9 is a top plan view of the long table with angled legs; and,
FIG. 10 is a bottom plan view of the long table with angled legs.

1 Claim, 5 Drawing Sheets



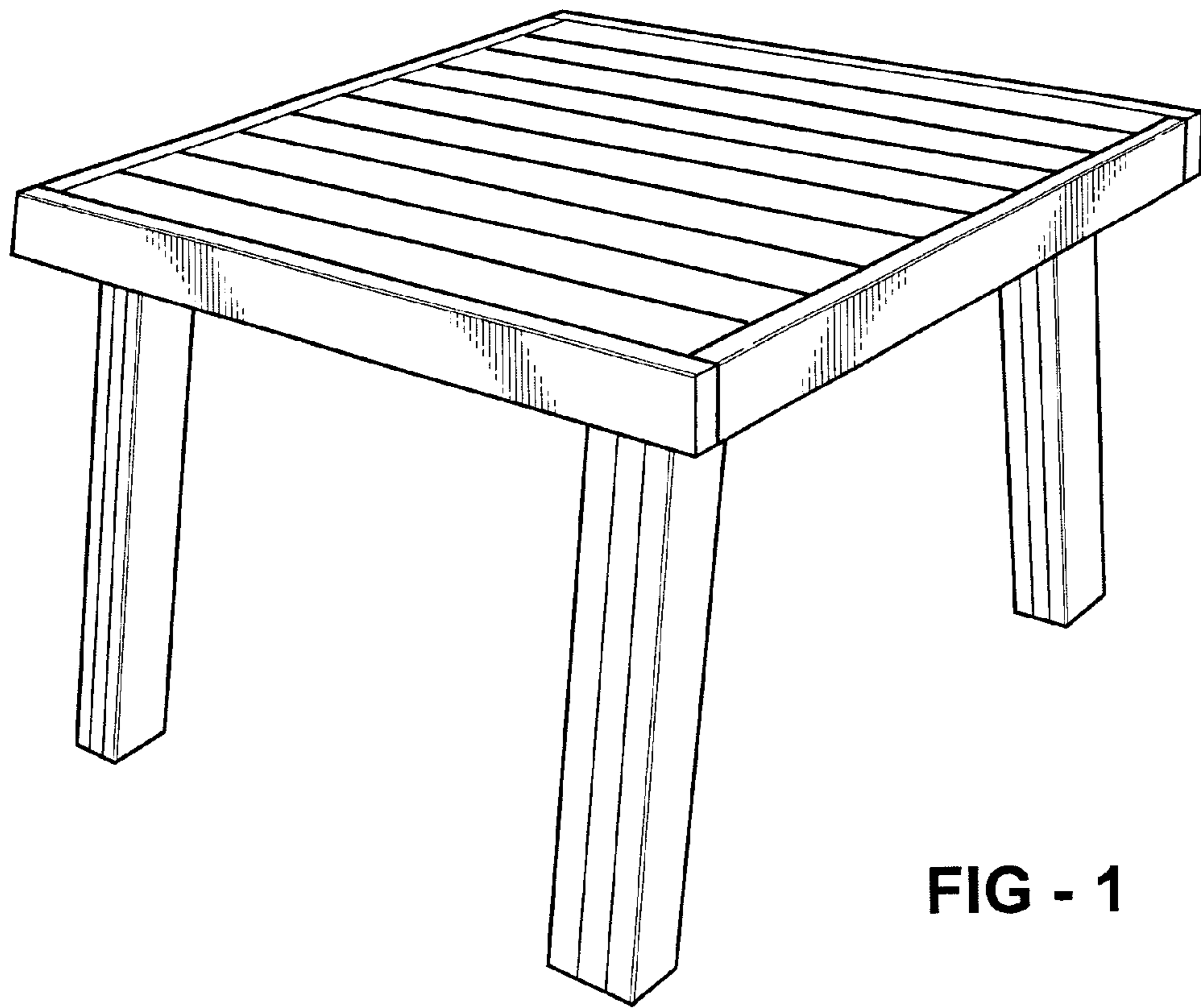


FIG - 1

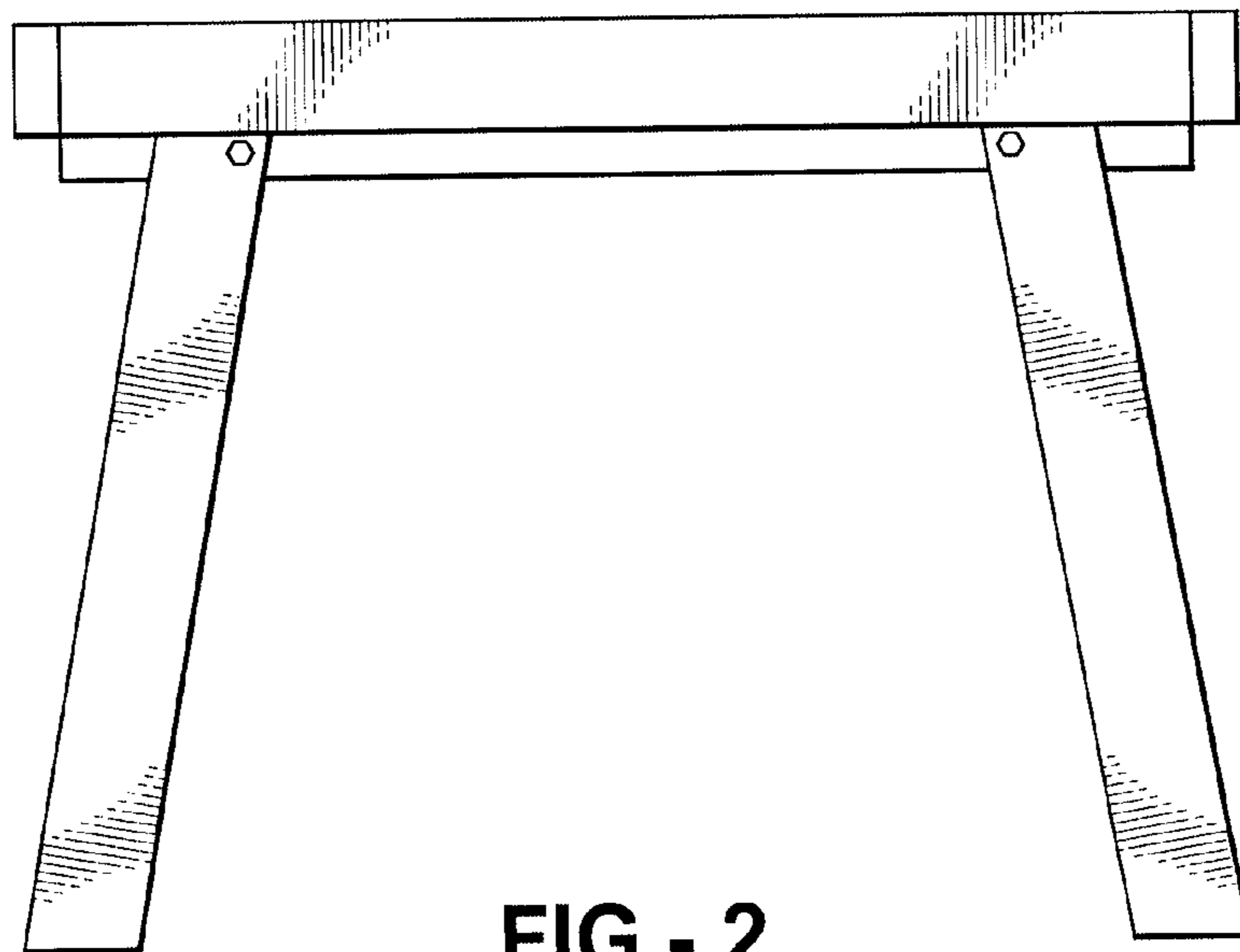


FIG - 2

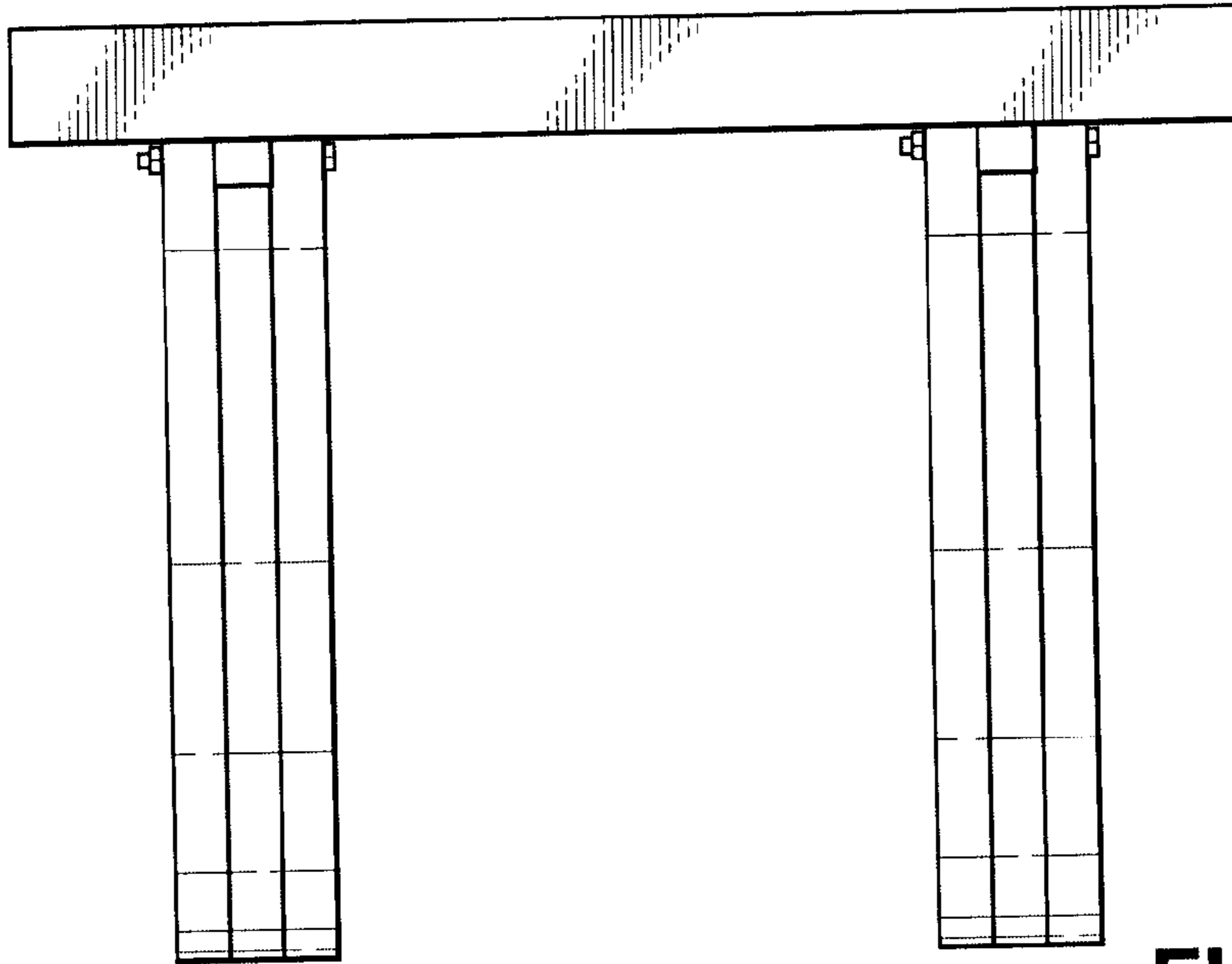


FIG - 3

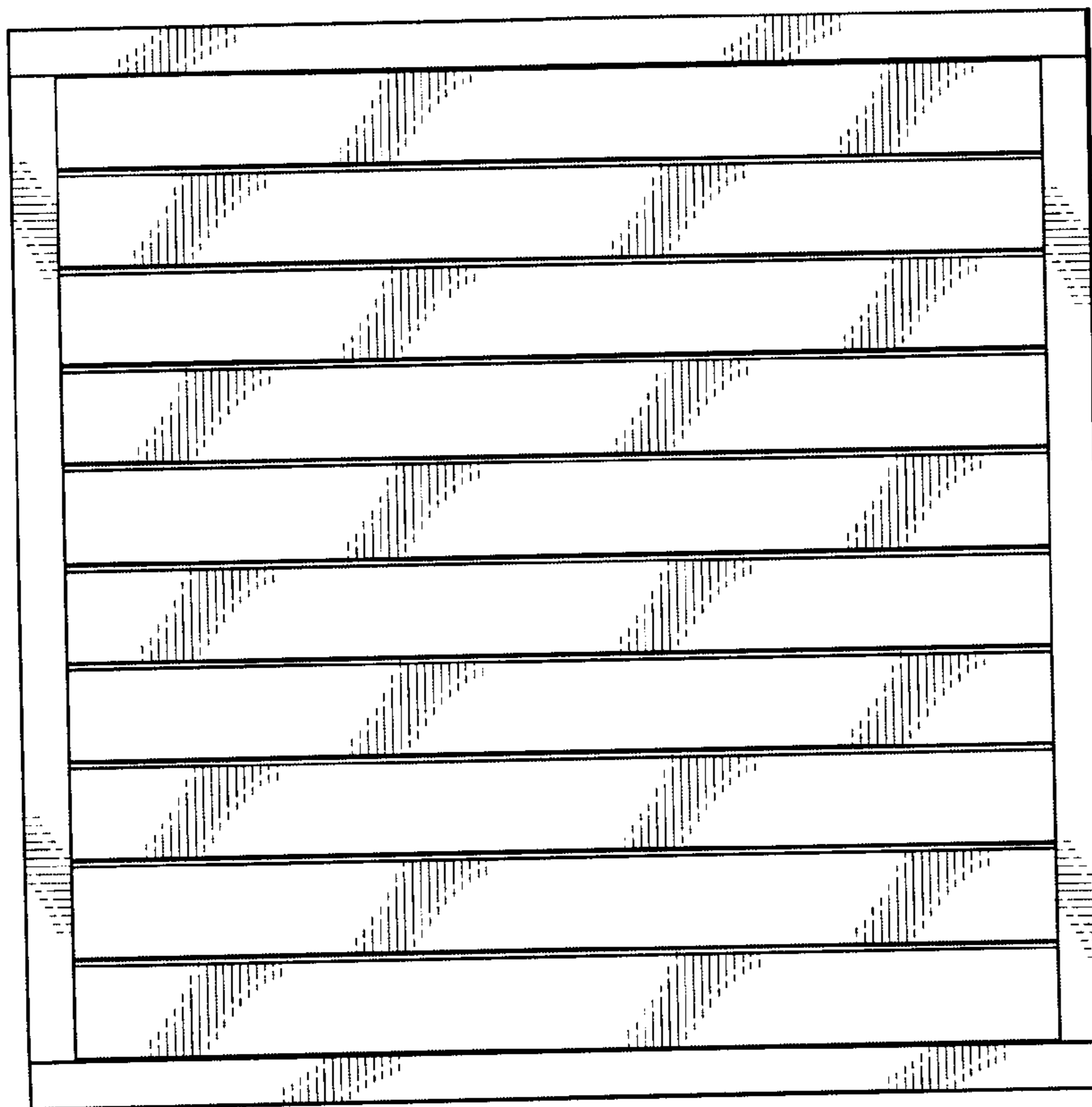


FIG - 4

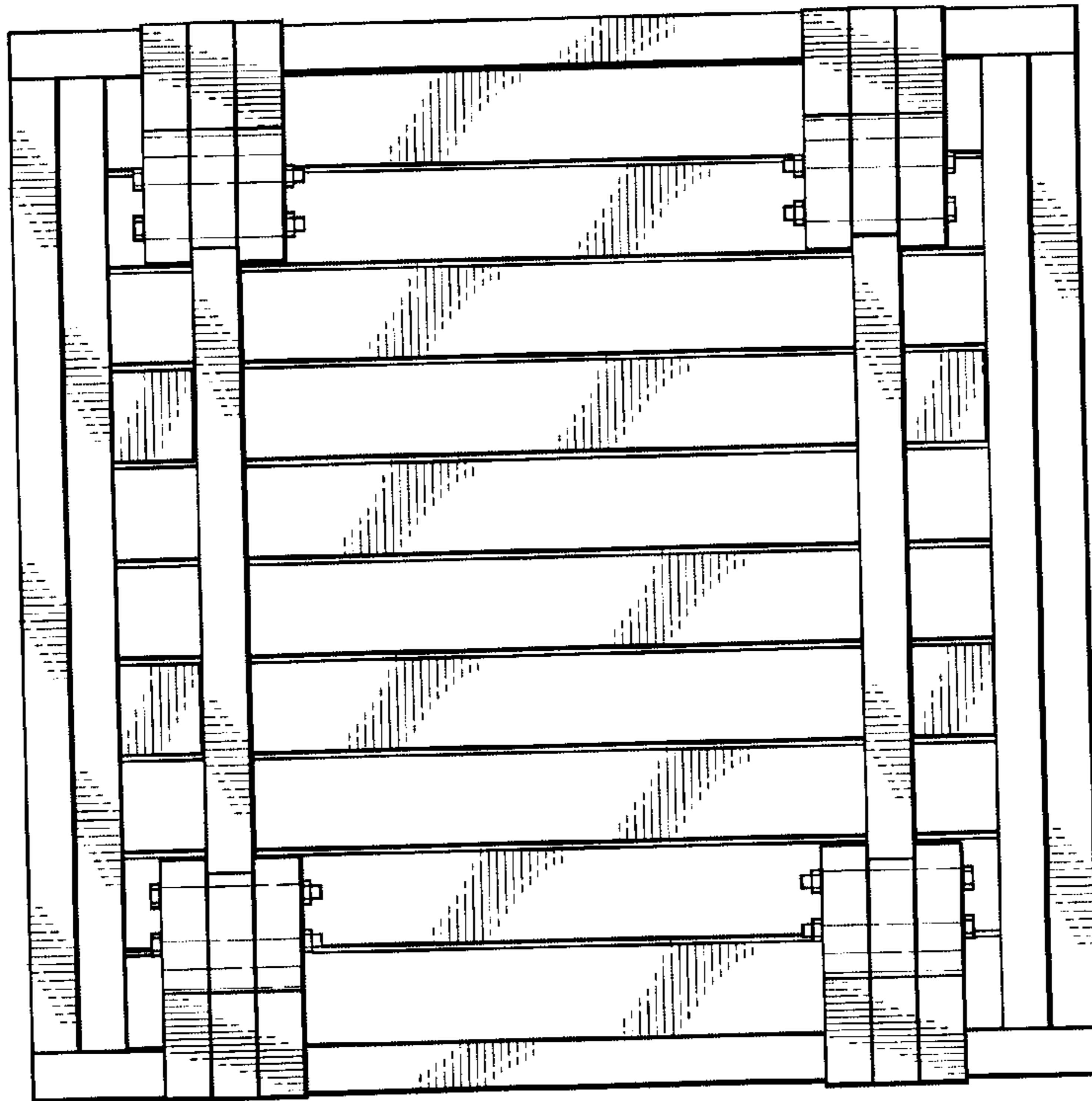


FIG - 5

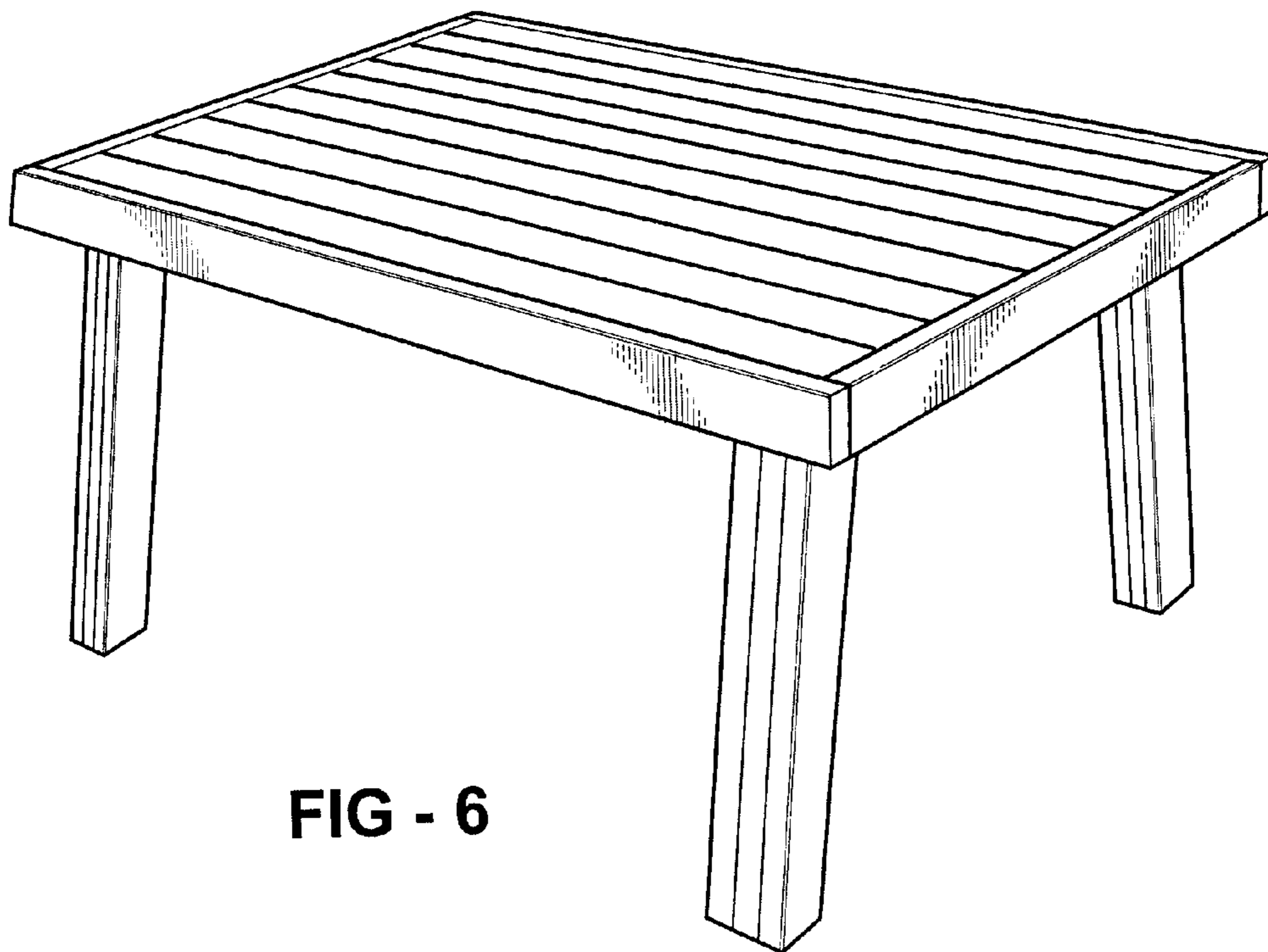


FIG - 6

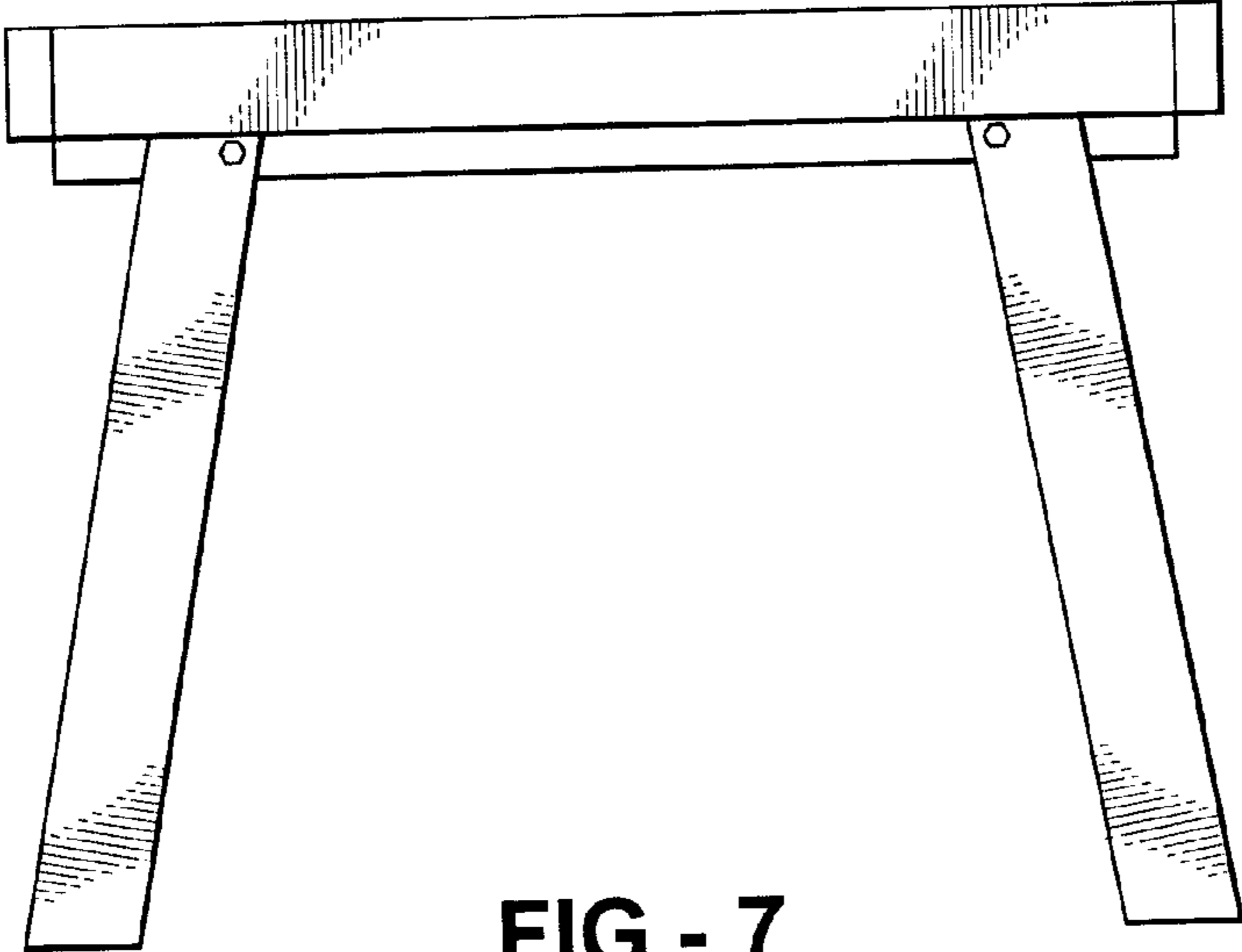


FIG - 7

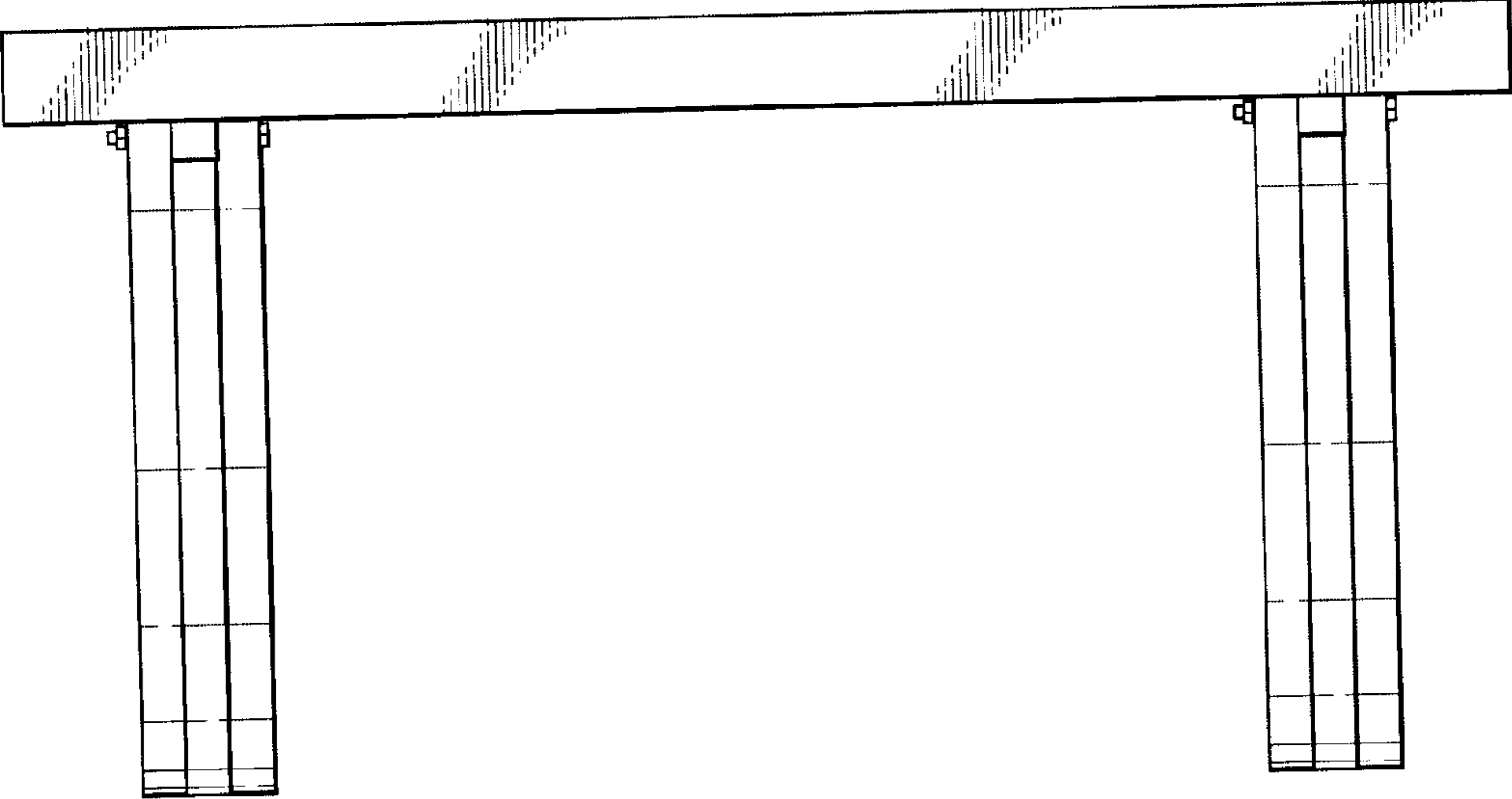


FIG - 8

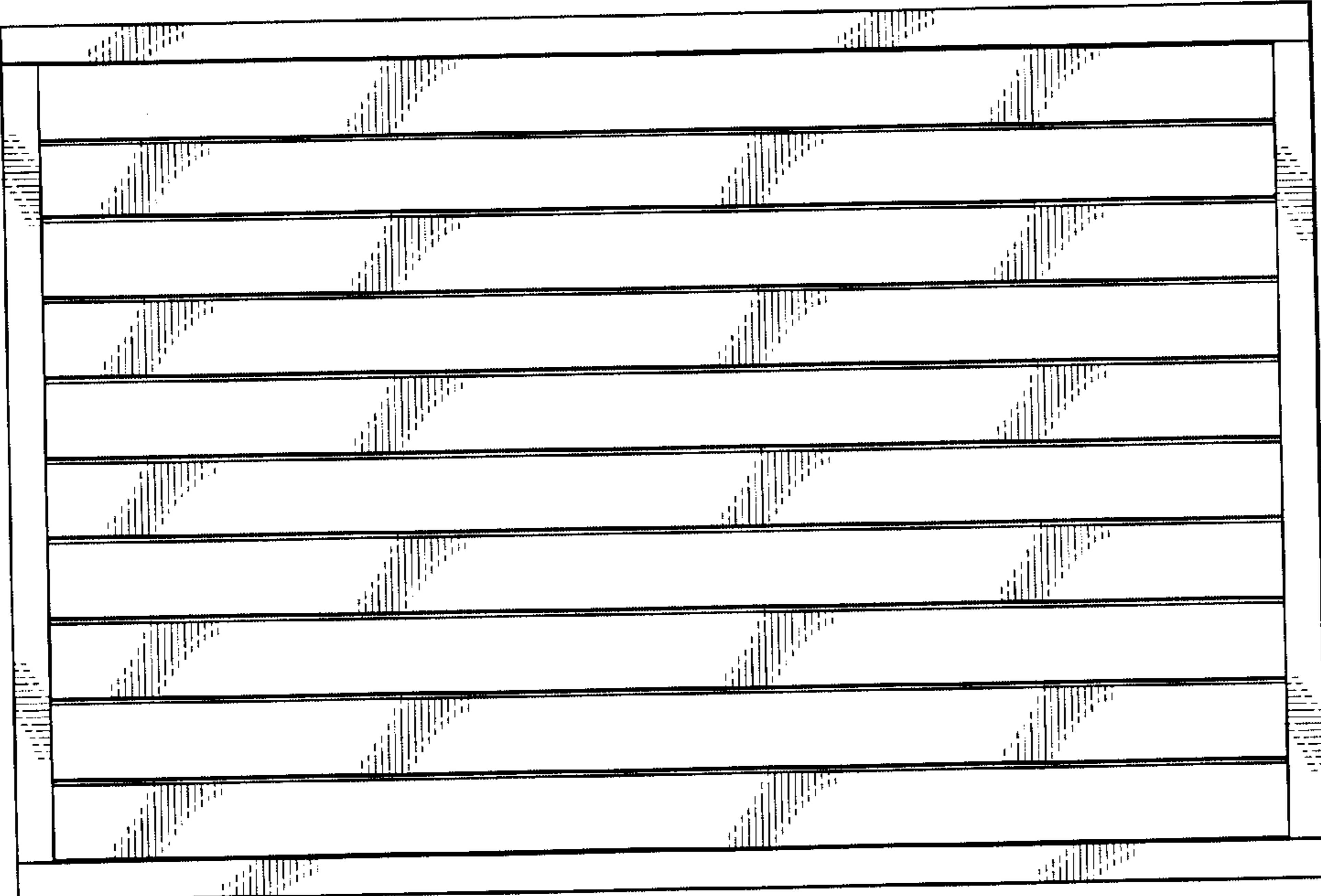


FIG - 9

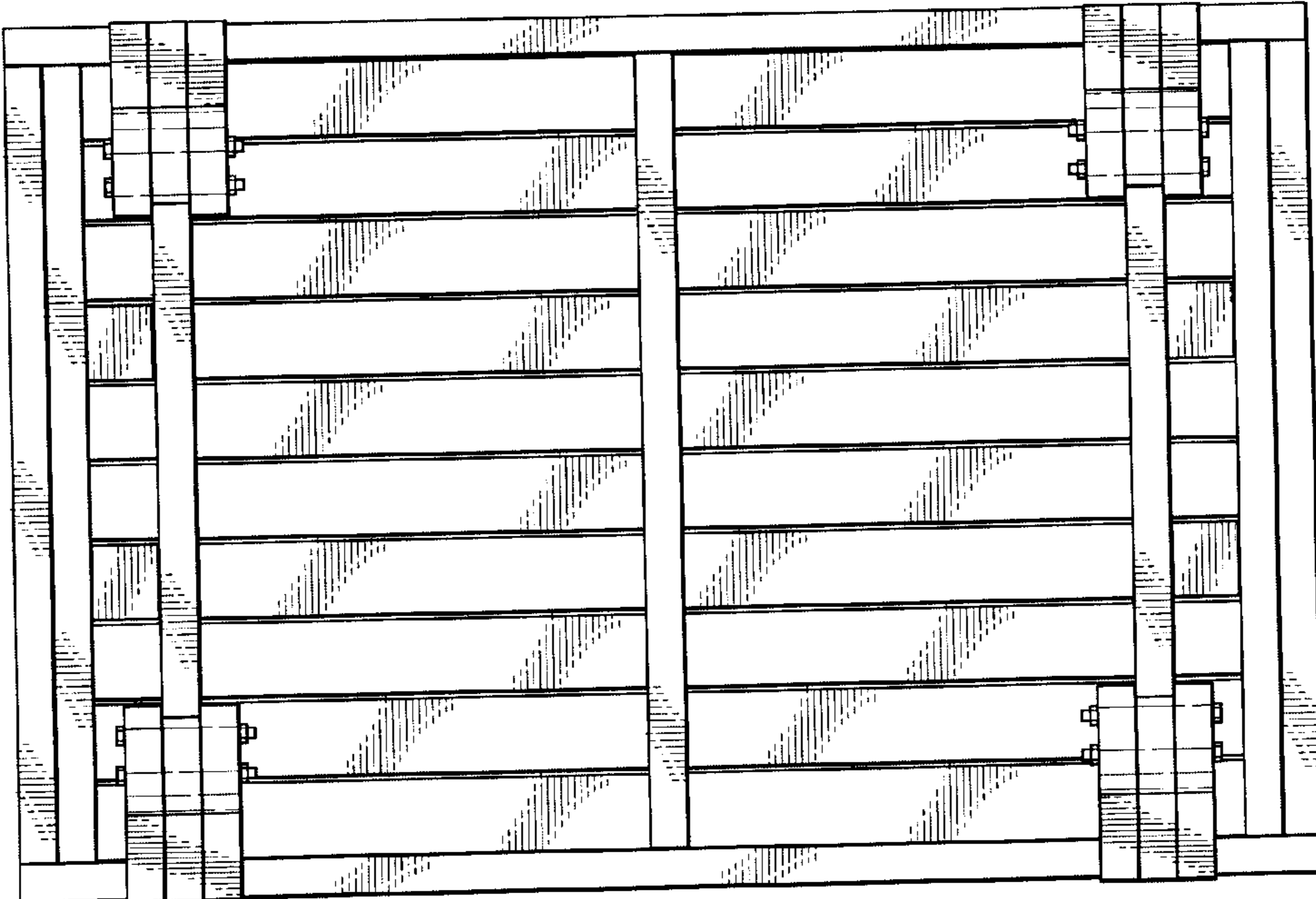


FIG - 10