



US00D512584S

(12) **United States Design Patent** (10) **Patent No.:** **US D512,584 S**  
**Peterson et al.** (45) **Date of Patent:** **\*\* Dec. 13, 2005**

(54) **BUFFET**

(75) Inventors: **Dale Peterson**, New York, NY (US);  
**Jonsara Ruth**, Brooklyn, NY (US);  
**Stacy Mar**, New York, NY (US)

(73) Assignee: **Martha Stewart Living Omnimedia, Inc.**, New York, NY (US)

(\*\*) Term: **14 Years**

(21) Appl. No.: **29/188,540**

(22) Filed: **Aug. 19, 2003**

(51) **LOC (6) Cl.** ..... **06-04**

(52) **U.S. Cl.** ..... **D6/446**

(58) **Field of Search** ..... D6/432-448; 312/204,  
312/224, 278, 279

(56) **References Cited**

**U.S. PATENT DOCUMENTS**

D389,670 S \* 1/1998 Paus ..... D6/445  
D437,150 S \* 2/2001 Cain ..... D6/446  
D459,112 S \* 6/2002 Keller ..... D6/446

**OTHER PUBLICATIONS**

Photo (I) of dresser taken in May 2002 at the Bernhardt showroom, IHFC Building, 210 E Commerce Ave, High Point, NC 27260 –one sheet.

\* cited by examiner

*Primary Examiner*—Cathron Brooks

(74) *Attorney, Agent, or Firm*—Kenyon & Kenyon

(57) **CLAIM**

The ornamental design for a buffet, as shown and described.

**DESCRIPTION**

FIG. 1 is a front perspective view of an embodiment of a buffet showing my new design;

FIG. 2 is a front view thereof;

FIG. 3 is a right side view thereof, the left side view being a mirror image thereof;

FIG. 4 is a top view thereof;

FIG. 5 is a front perspective view of a second embodiment of a buffet showing my new design; and,

FIG. 6 is a front perspective view of a third embodiment of a buffet showing my new design.

The broken line portions are for illustrative purposes only and form no part of the claimed design.

**1 Claim, 6 Drawing Sheets**

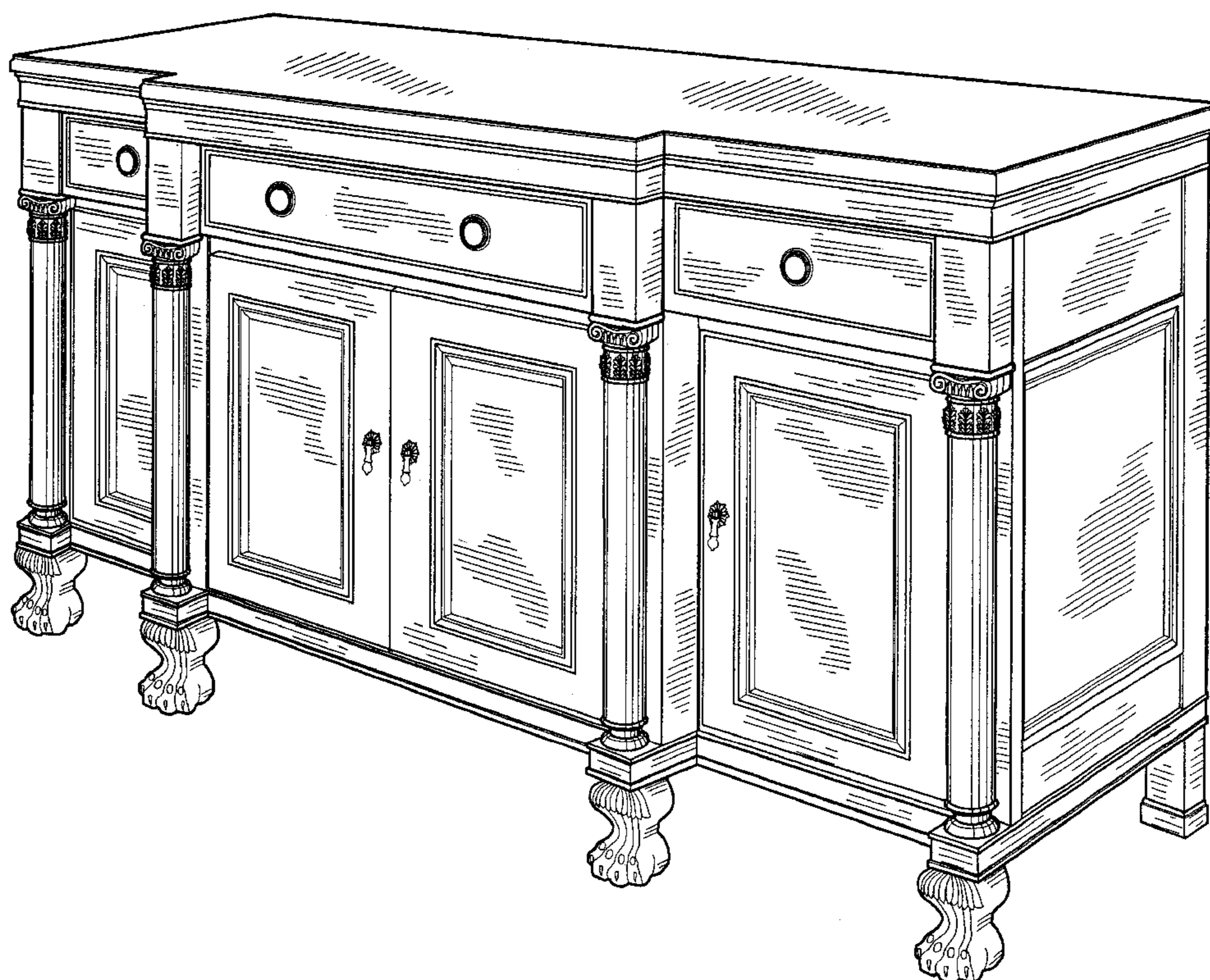


FIG. 1

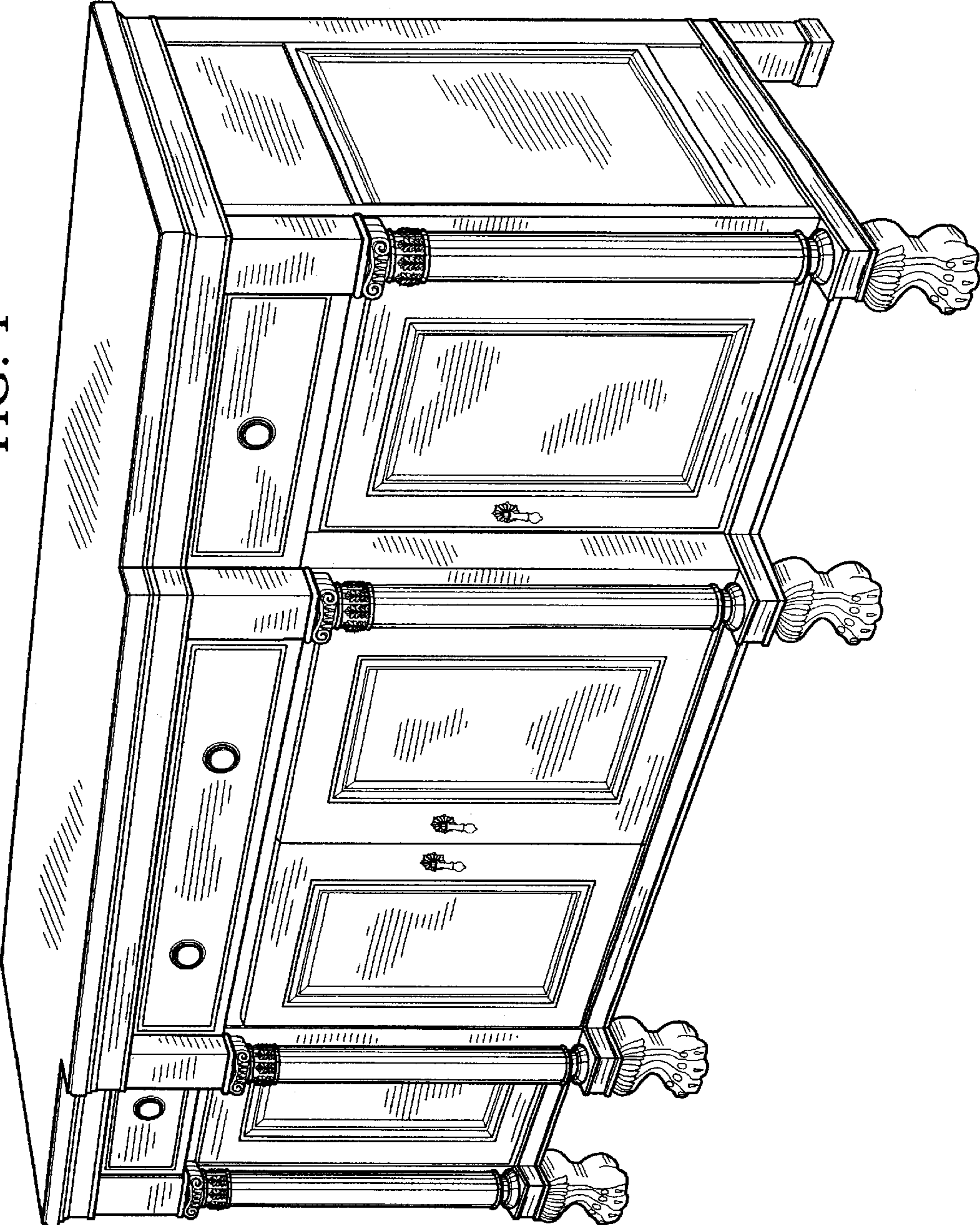


FIG. 2

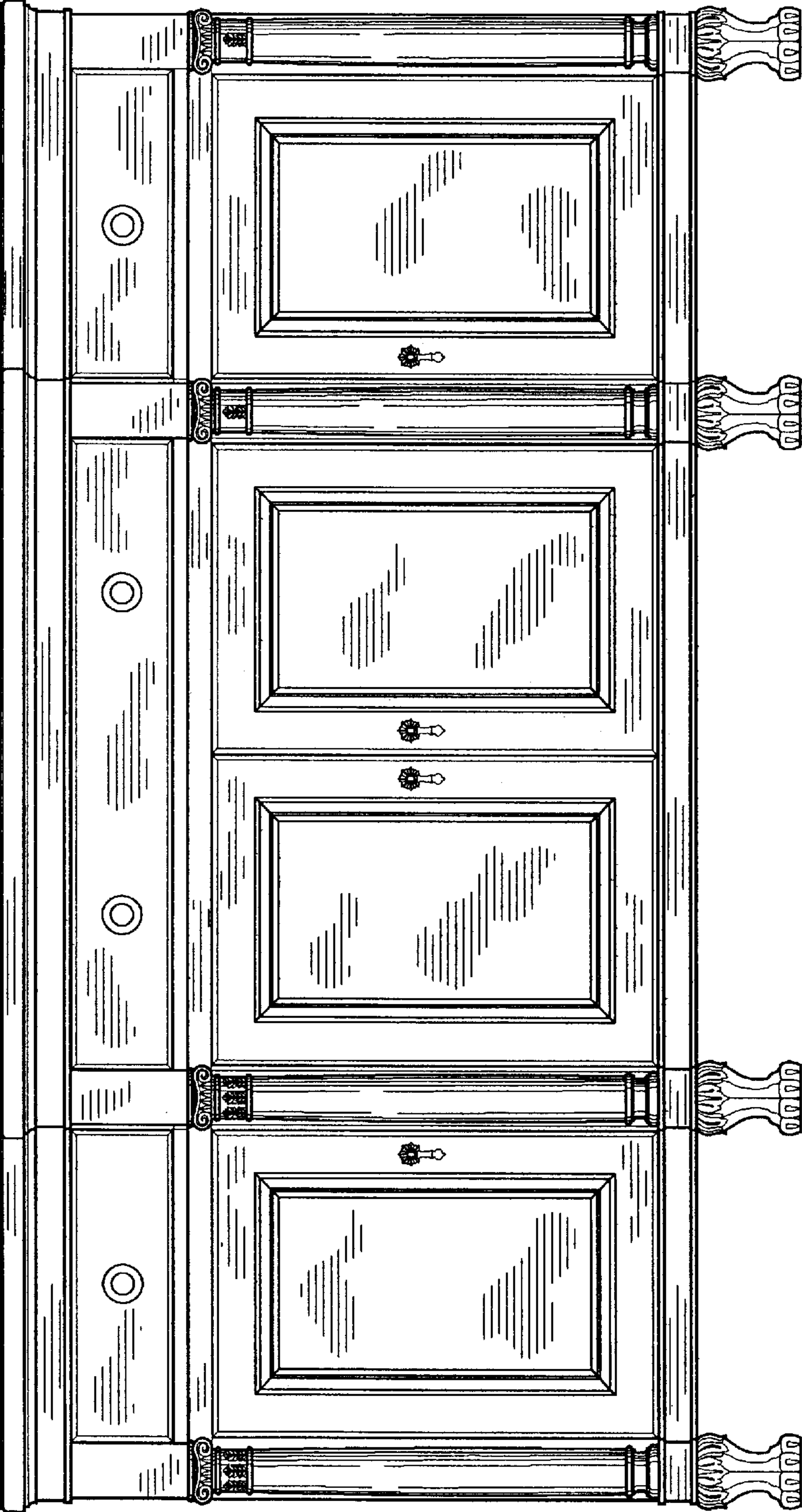


FIG. 3

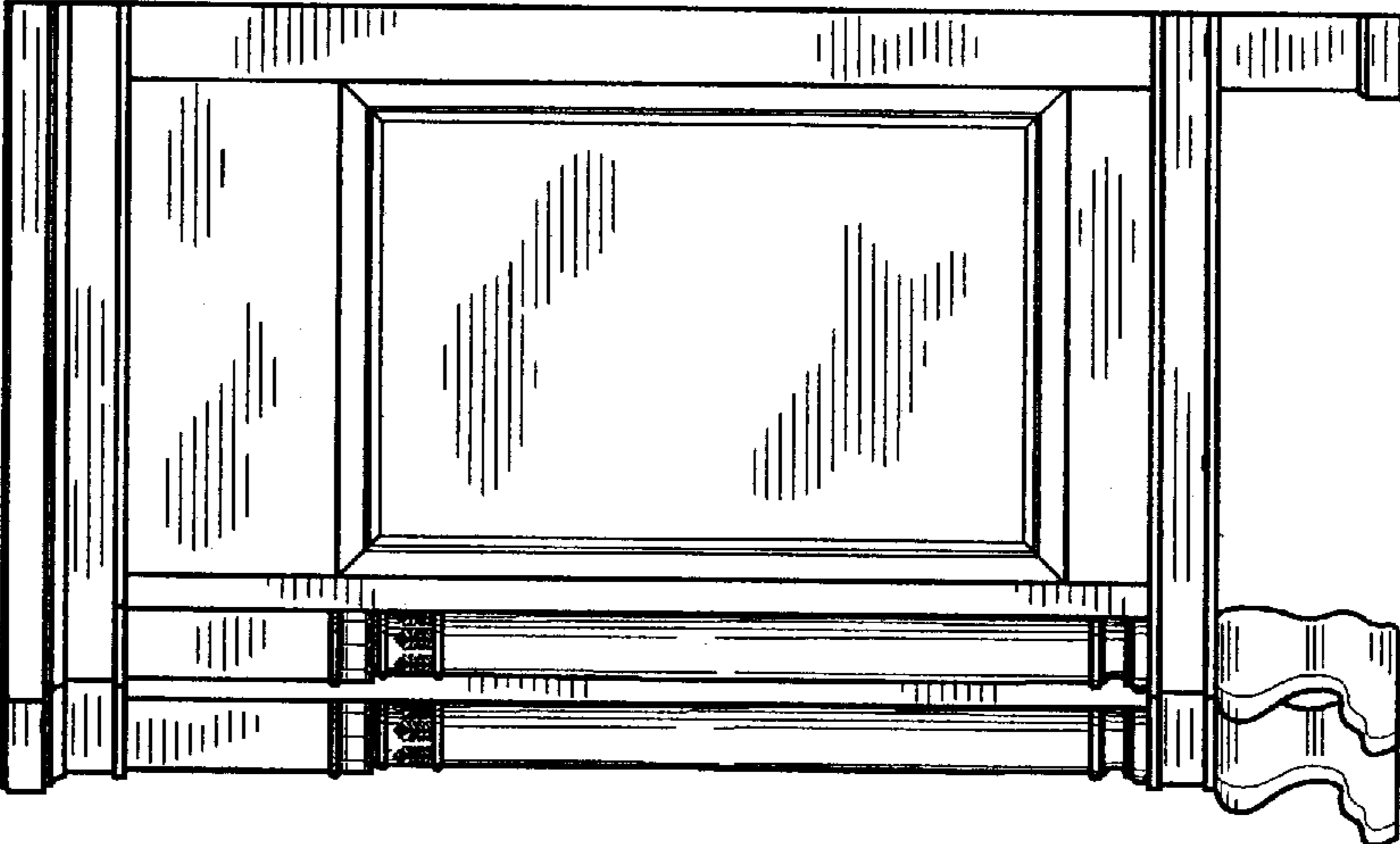


FIG. 4

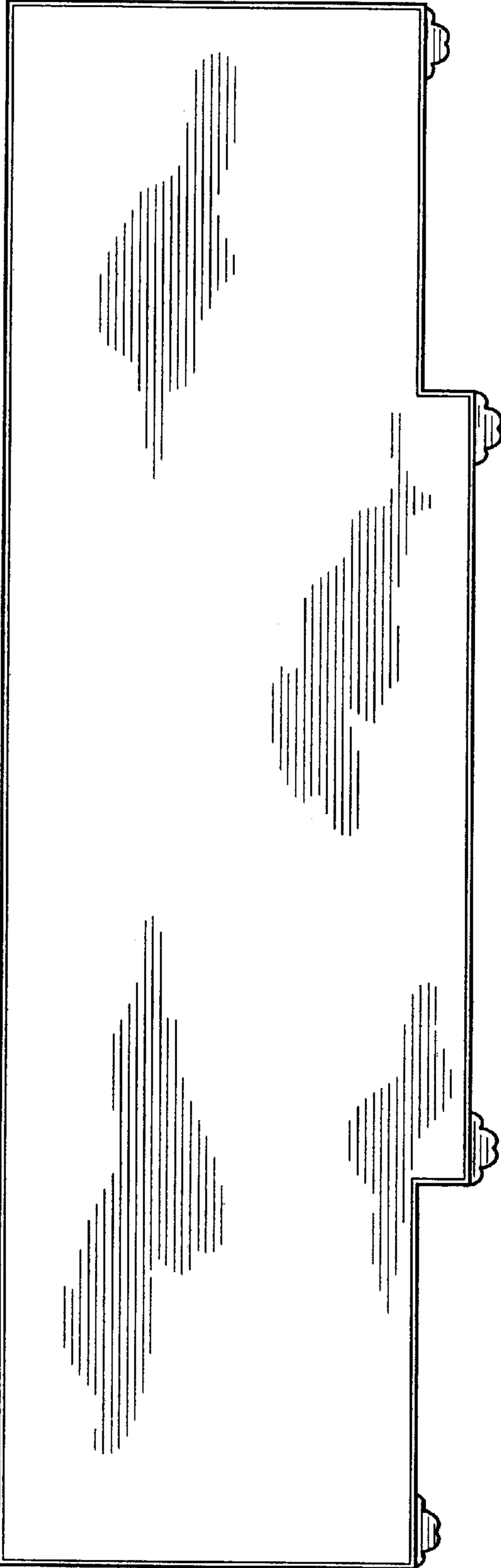


FIG. 5

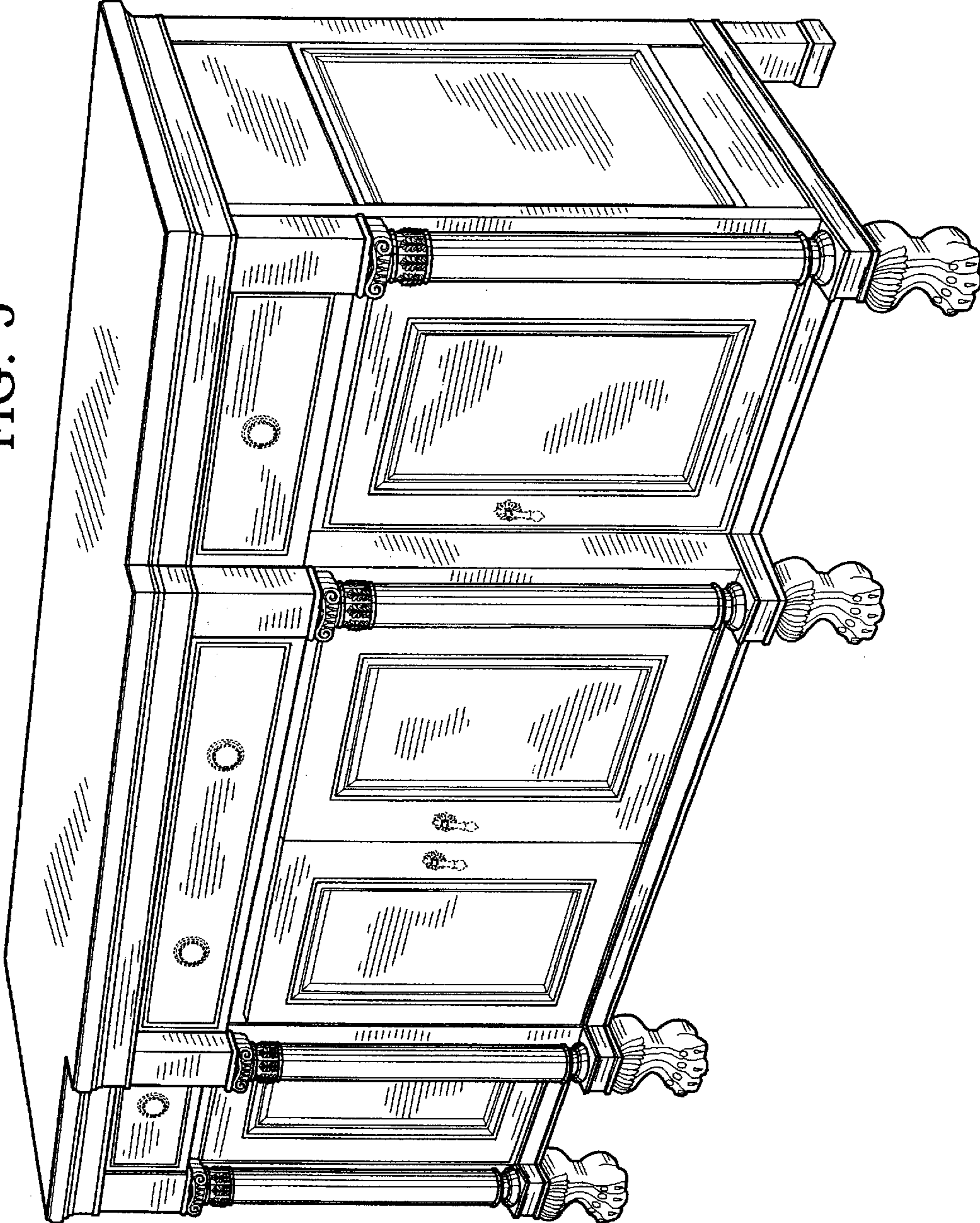


FIG. 6

