

US00D512576S

(12) **United States Design Patent**  
**Szyperski et al.**

(10) **Patent No.: US D512,576 S**  
(45) **Date of Patent: \*\* Dec. 13, 2005**

(54) **MULTI-TERRAIN ADJUSTING CHAIR**

(76) Inventors: **Kyle L. Szyperski**, 3345 Tower Beach Rd., Pinconning, MI (US) 48650;  
**Douglas J. Szyperski**, 3345 Tower Beach Rd., Pinconning, MI (US) 48650

(\*\*) Term: **14 Years**

(21) Appl. No.: **29/223,548**

(22) Filed: **Feb. 16, 2005**

(51) **LOC (6) Cl. .... 06-01**

(52) **U.S. Cl. .... D6/368**

(58) **Field of Search** ..... D6/334-336, 364, D6/367, 368, 374, 376, 379, 380, 500-502; 297/16.1, 16.2, 344.12, 377.18, 344.21, 354.1, 411.29, 452.13

(56) **References Cited**

**U.S. PATENT DOCUMENTS**

D279,336 S	*	6/1985	Duncan	.....	D6/368
D309,989 S	*	8/1990	Gotts	.....	D6/364
5,060,896 A	*	10/1991	Hobbins	.....	297/344.18
D351,740 S	*	10/1994	Tesmer	.....	D6/362
5,364,163 A	*	11/1994	Hardison	.....	297/344.21
D356,899 S	*	4/1995	Vasconcellos	.....	D6/367
5,427,438 A	*	6/1995	Fochs	.....	297/344.18
5,494,333 A		2/1996	Wilson		
5,516,197 A		5/1996	Condos		

5,522,642 A	*	6/1996	Herzog	.....	297/344.18
5,536,068 A		7/1996	Valentor et al.		
D376,484 S	*	12/1996	Gregory	.....	D6/368
D412,793 S	*	8/1999	Neubauer, Jr.	.....	D6/374
6,036,148 A		3/2000	Shank		
6,056,353 A		5/2000	Meara		
6,095,607 A		8/2000	Wenzel		
D439,429 S		3/2001	Higgs et al.		
D463,563 S	*	9/2002	Schoenig et al.	.....	D24/183
6,474,744 B1		11/2002	Taylor et al.		
6,634,704 B1	*	10/2003	Bergquist	.....	297/344.18

\* cited by examiner

*Primary Examiner*—Mimosa De

(57) **CLAIM**

The ornamental design for a multi-terrain adjusting chair, as shown and described.

**DESCRIPTION**

FIG. 1 is a front elevational view of a multi-terrain adjusting chair showing our new design;

FIG. 2 is a rear elevational view thereof;

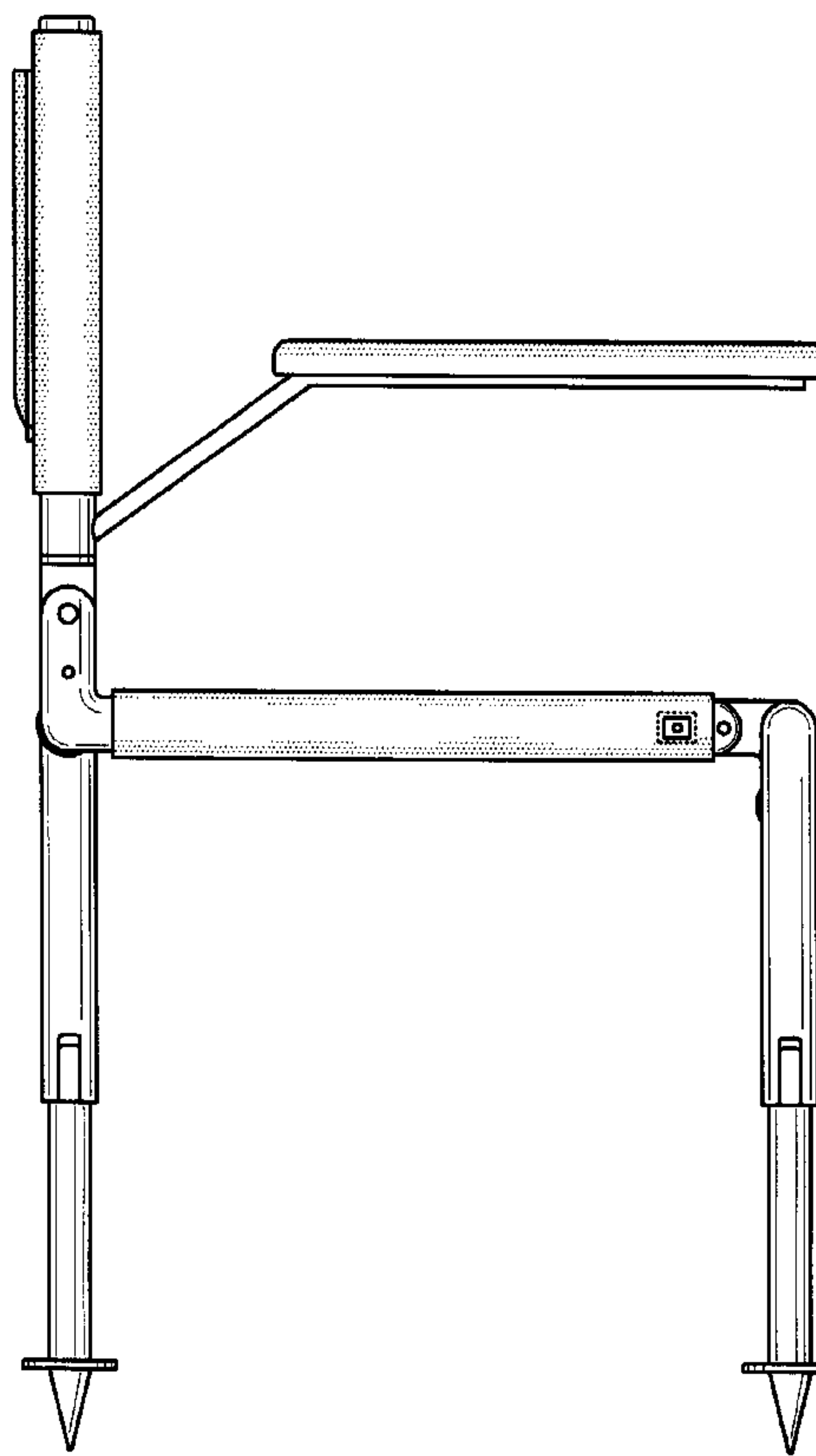
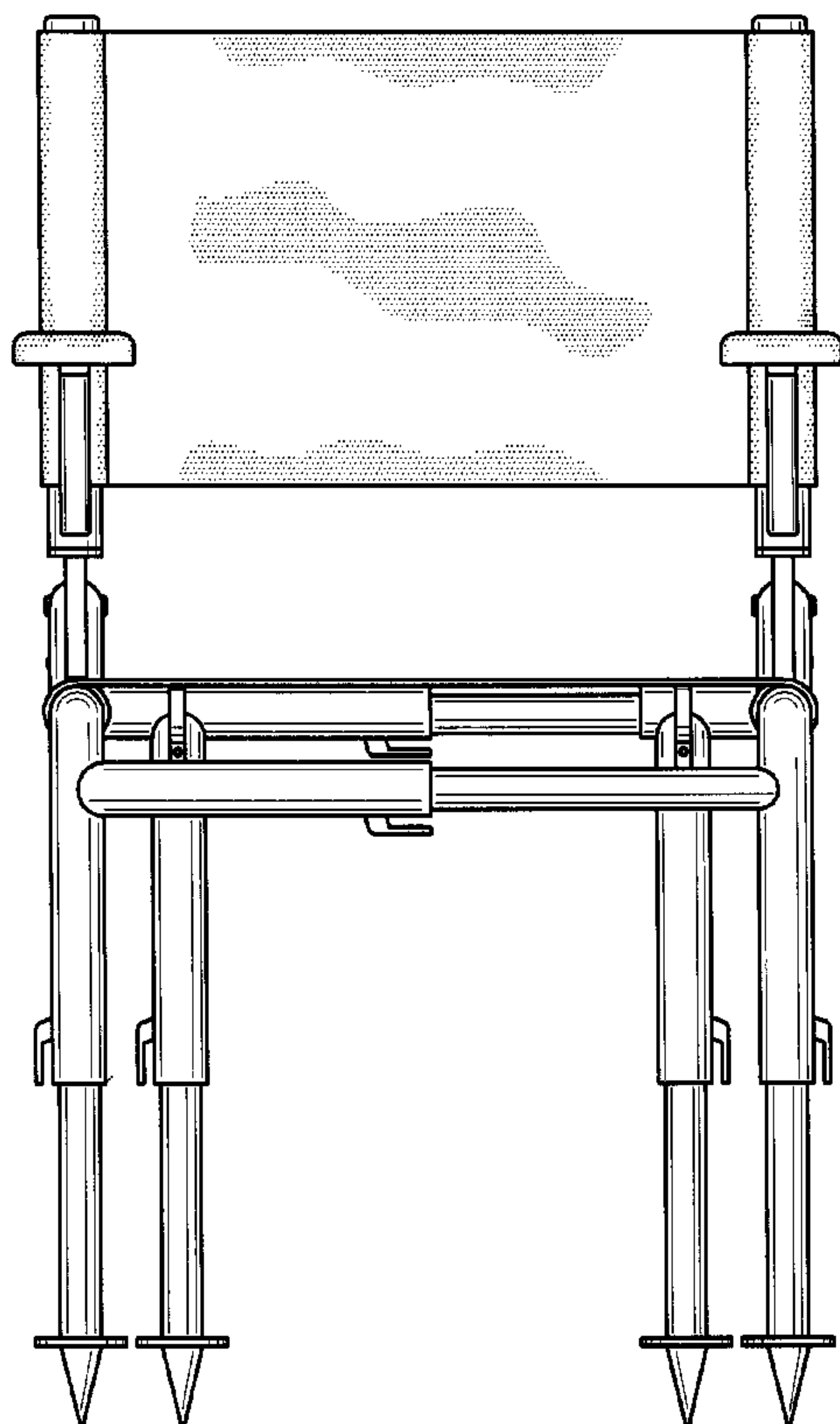
FIG. 3 is a right side elevational view thereof;

FIG. 4 is a top plan view thereof; and,

FIG. 5 is a bottom plan view thereof.

The broken line shown on the backrest in FIG. 2 represents stitching.

**1 Claim, 5 Drawing Sheets**



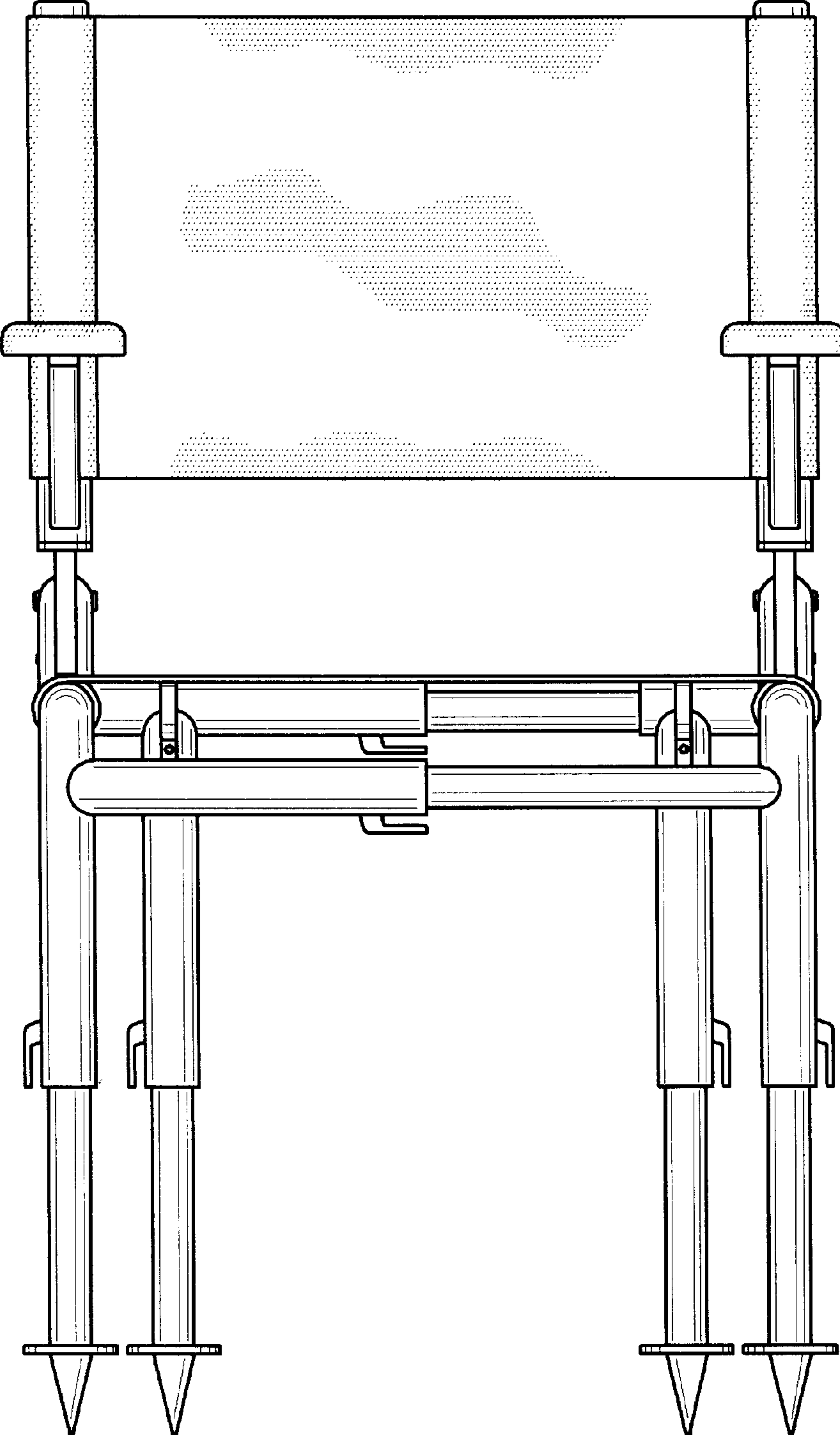


FIG.1

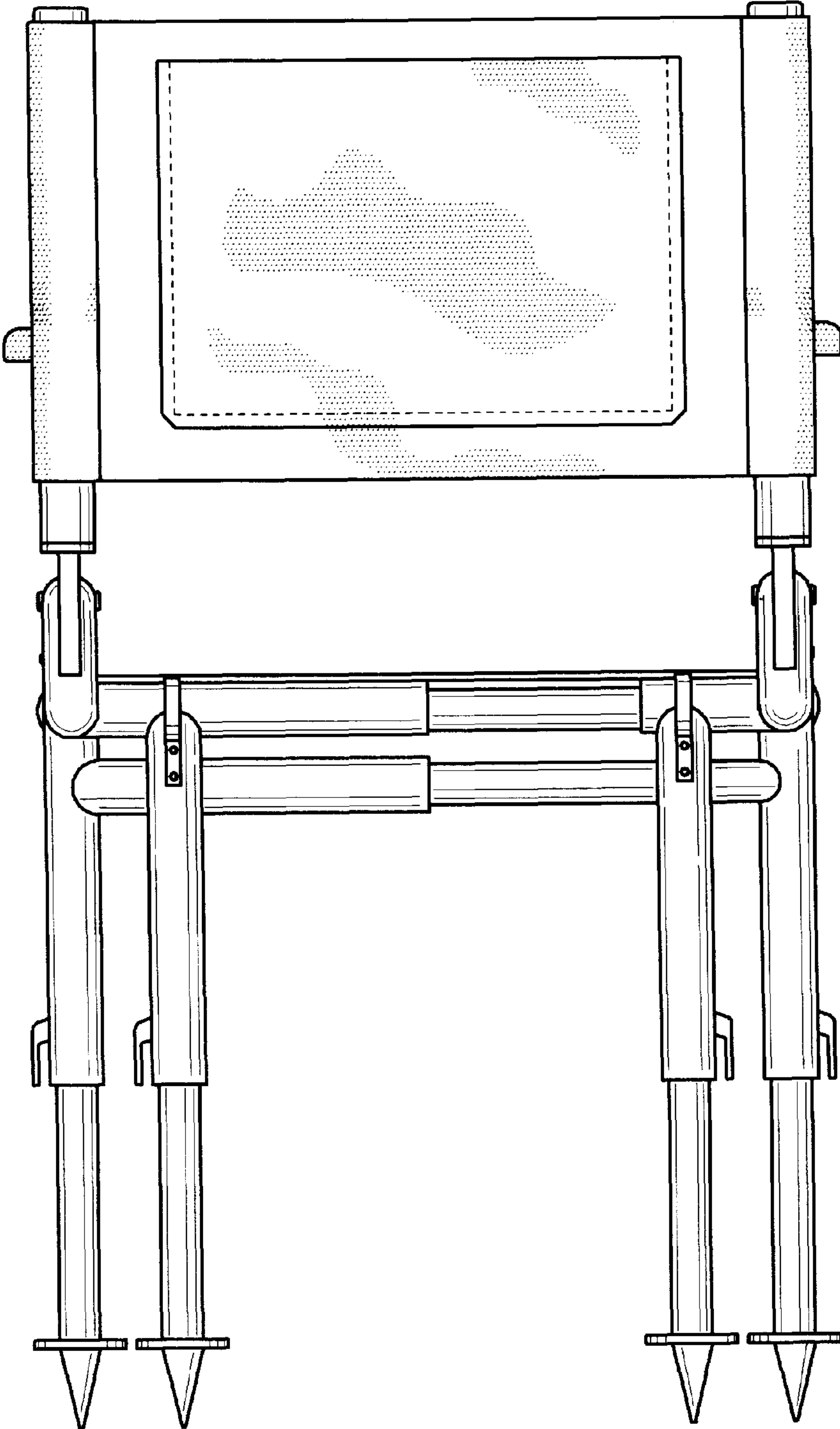


FIG.2

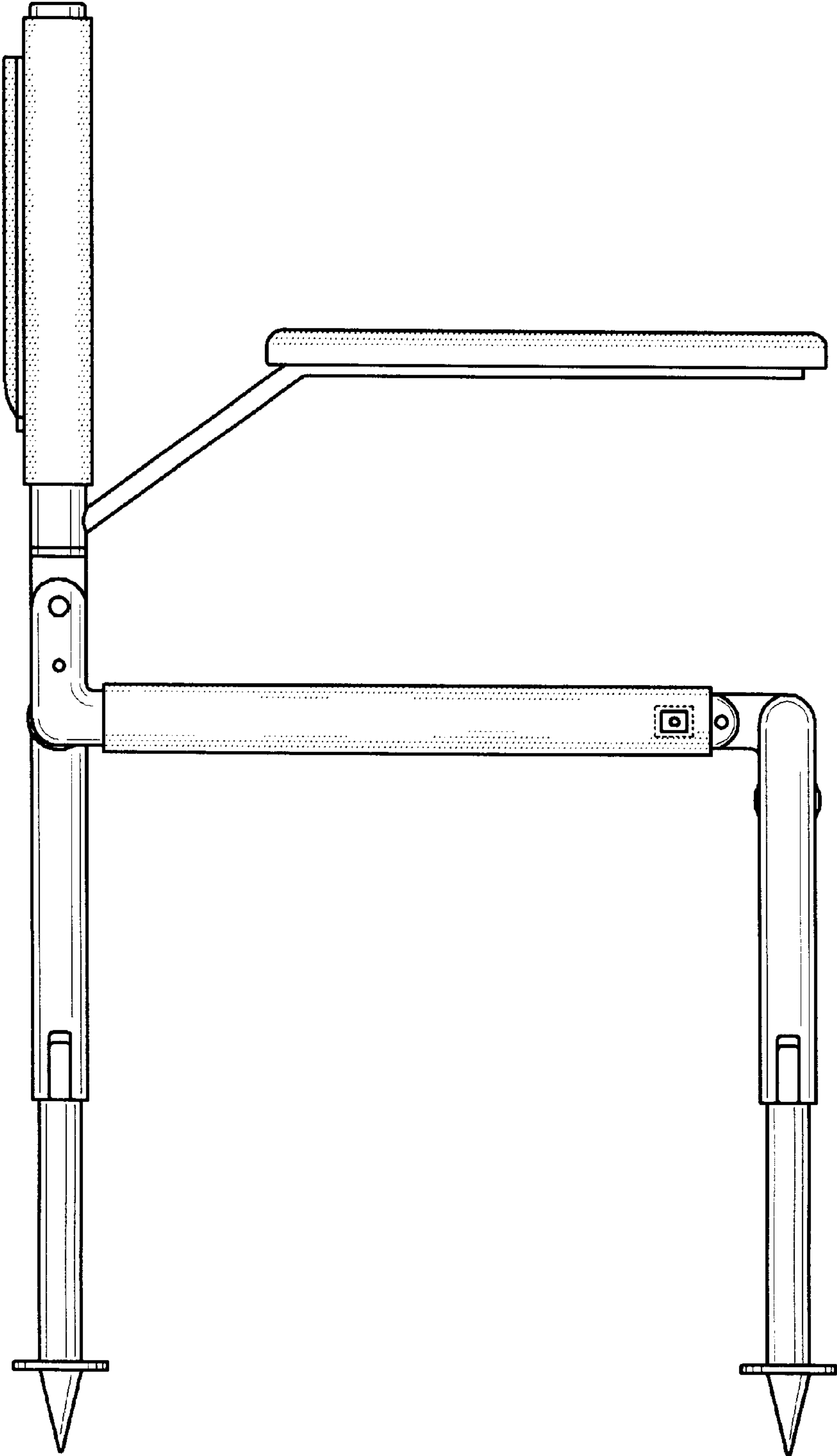


FIG.3

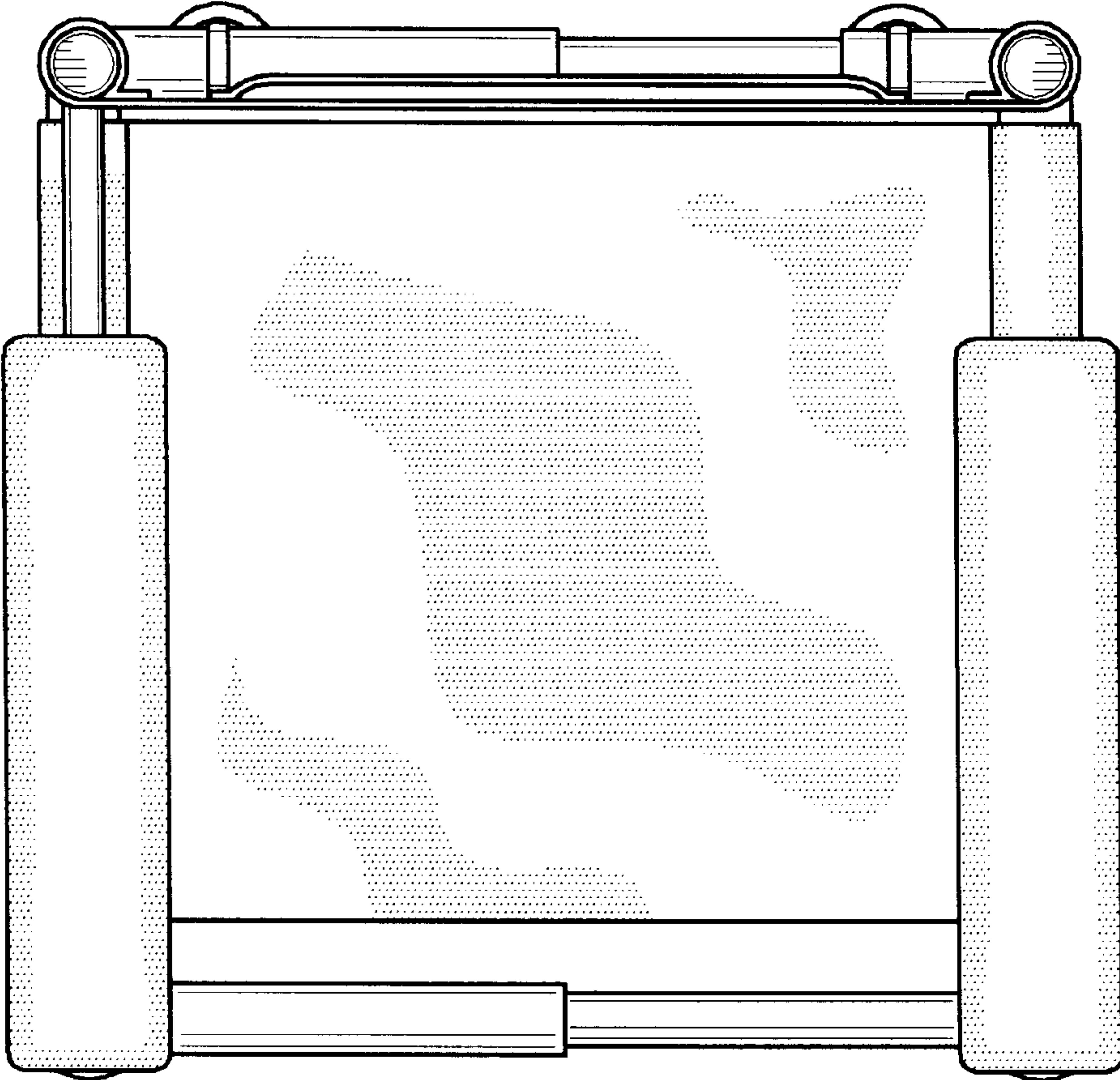


FIG.4

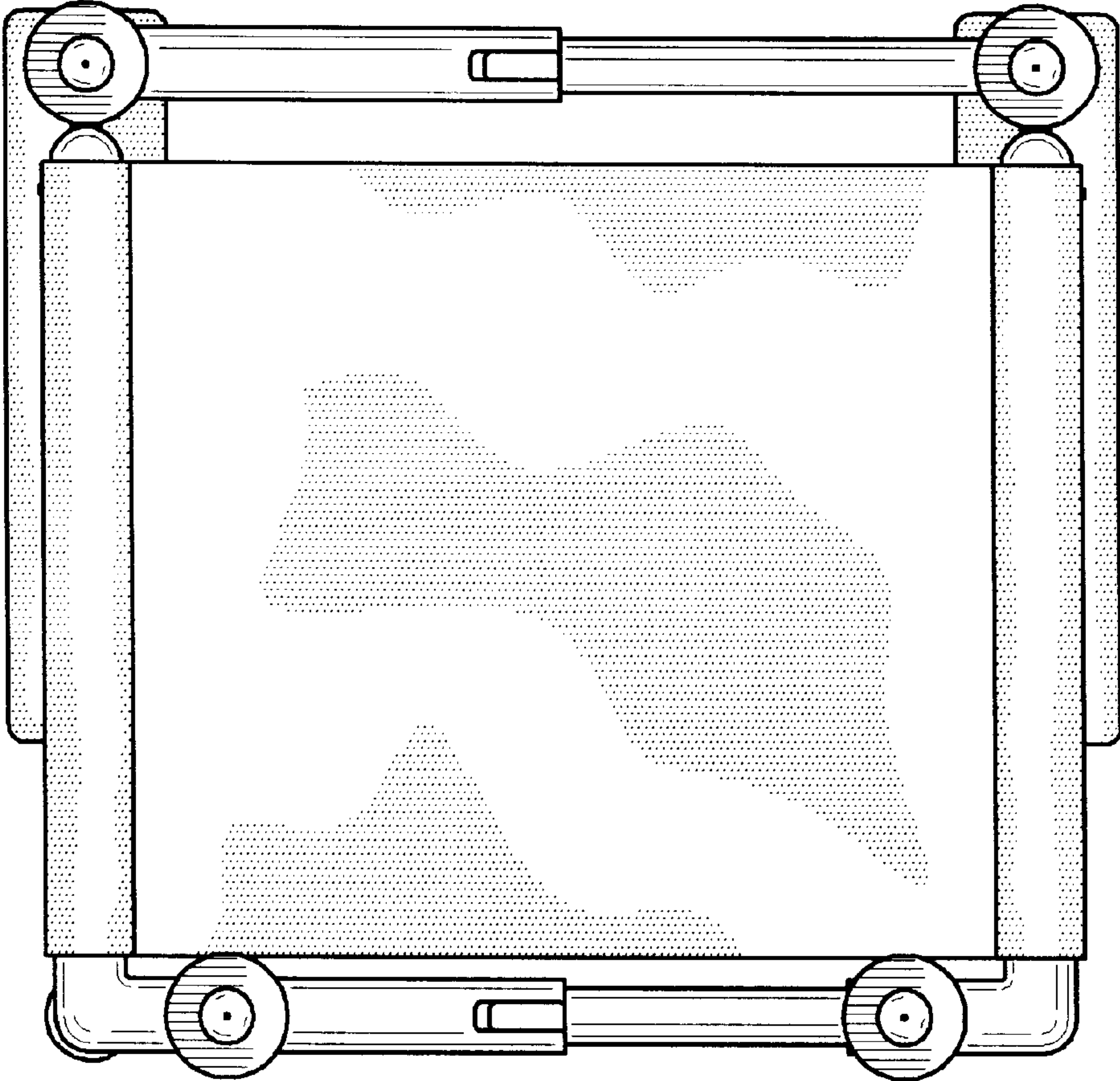


FIG.5