



US00D512562S

(12) **United States Design Patent** (10) **Patent No.:** **US D512,562 S**
Tsuda (45) **Date of Patent:** **** Dec. 13, 2005**

(54) **TOOL BIT CARRIER**

(75) Inventor: **Hollan A. Tsuda**, Portland, OR (US)

(73) Assignee: **Leatherman Tool Group, Inc.**,
Portland, OR (US)

(**) Term: **14 Years**

(21) Appl. No.: **29/200,348**

(22) Filed: **Feb. 25, 2004**

(51) **LOC (6) Cl.** **03-01**

(52) **U.S. Cl.** **D3/228**

(58) **Field of Search** D3/228, 215, 224;
206/372-375; 224/904, 236-240, 183, 222,
218

(56) **References Cited**

U.S. PATENT DOCUMENTS

6,243,901 B1	6/2001	Elsener et al.	7/118
D490,975 S *	6/2004	Hung	D3/228
D496,157 S *	9/2004	Contarino et al.	D3/228

* cited by examiner

Primary Examiner—Catherine R. Oliver
(74) *Attorney, Agent, or Firm*—Chernoff, Vilhauer,
McClung & Stenzel, LLP

(57) **CLAIM**

The ornamental design for a tool bit carrier, as shown and described.

DESCRIPTION

FIG. 1 is an isometric view from the lower right front of a tool bit carrier including my new design, wherein tool bits shown in broken line are included merely for illustrative purposes and form no part of the claimed design;

FIG. 2 is a front elevational view thereof;

FIG. 3 is a right side elevational view thereof, the left side elevational view thereof being a mirror image of FIG. 3;

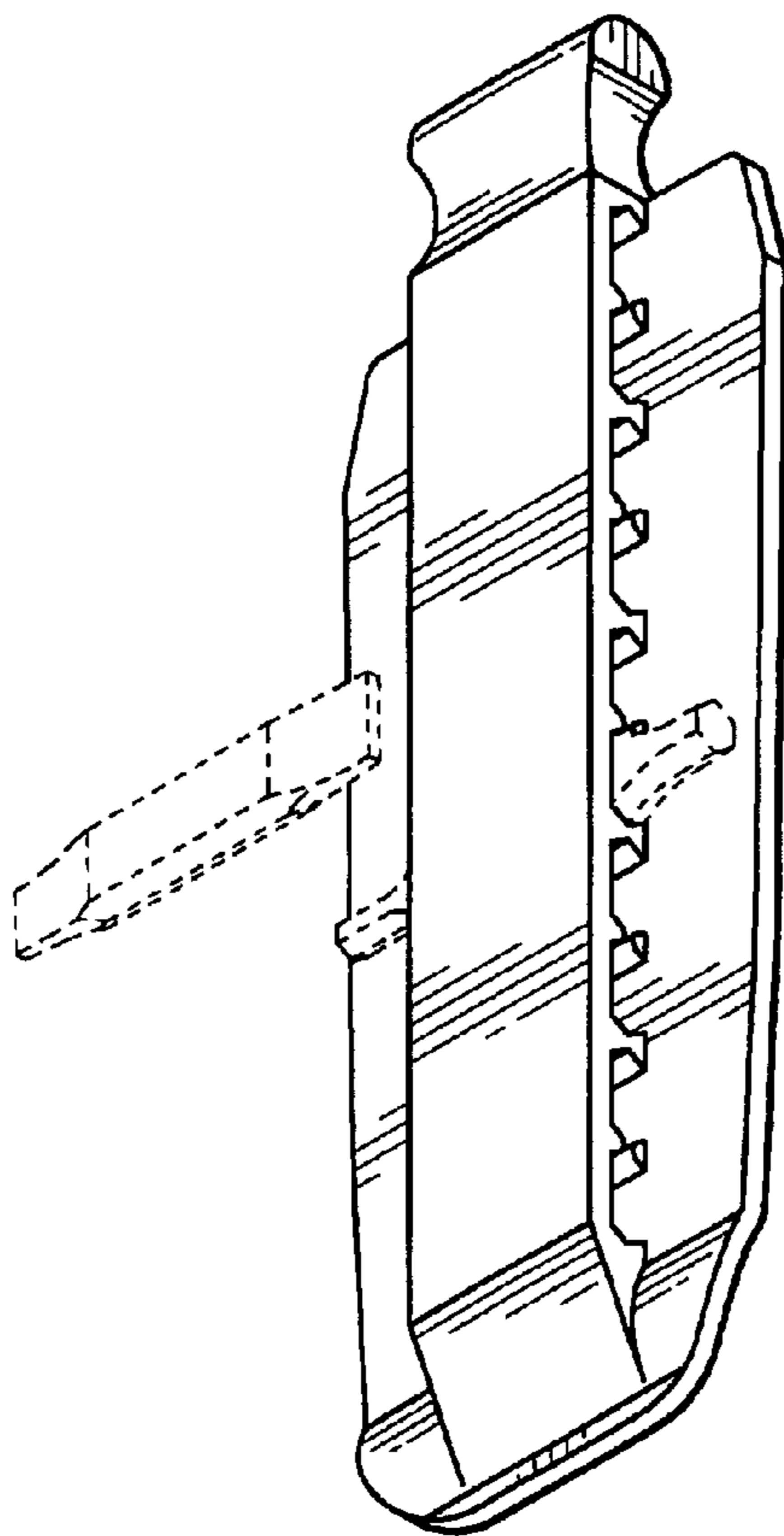
FIG. 4 is top plan view thereof;

FIG. 5 is a bottom plan view thereof;

FIG. 6 is a rear side elevational view thereof; and,

FIG. 7 is an isometric view thereof taken from the lower right front.

1 Claim, 2 Drawing Sheets



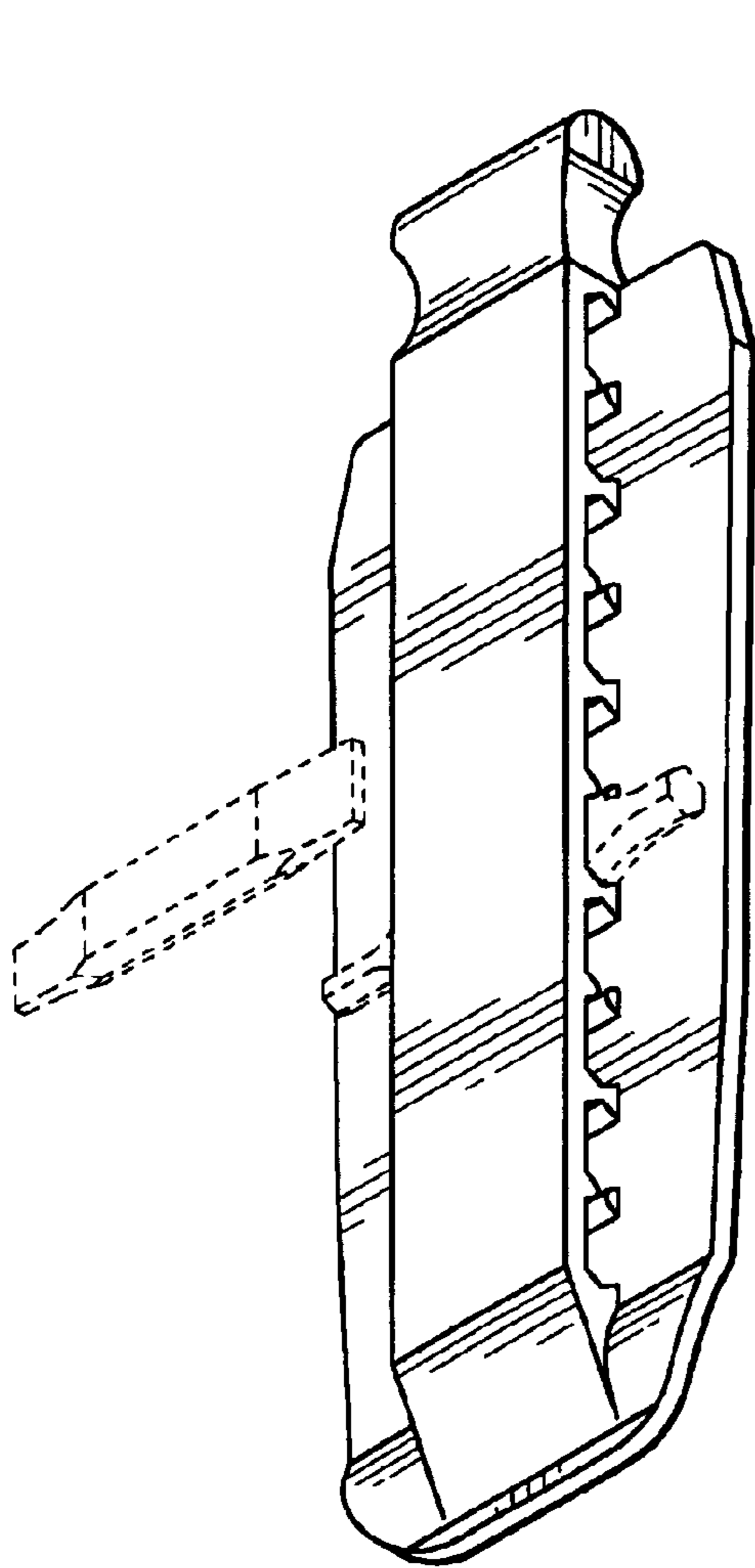


FIG. 1

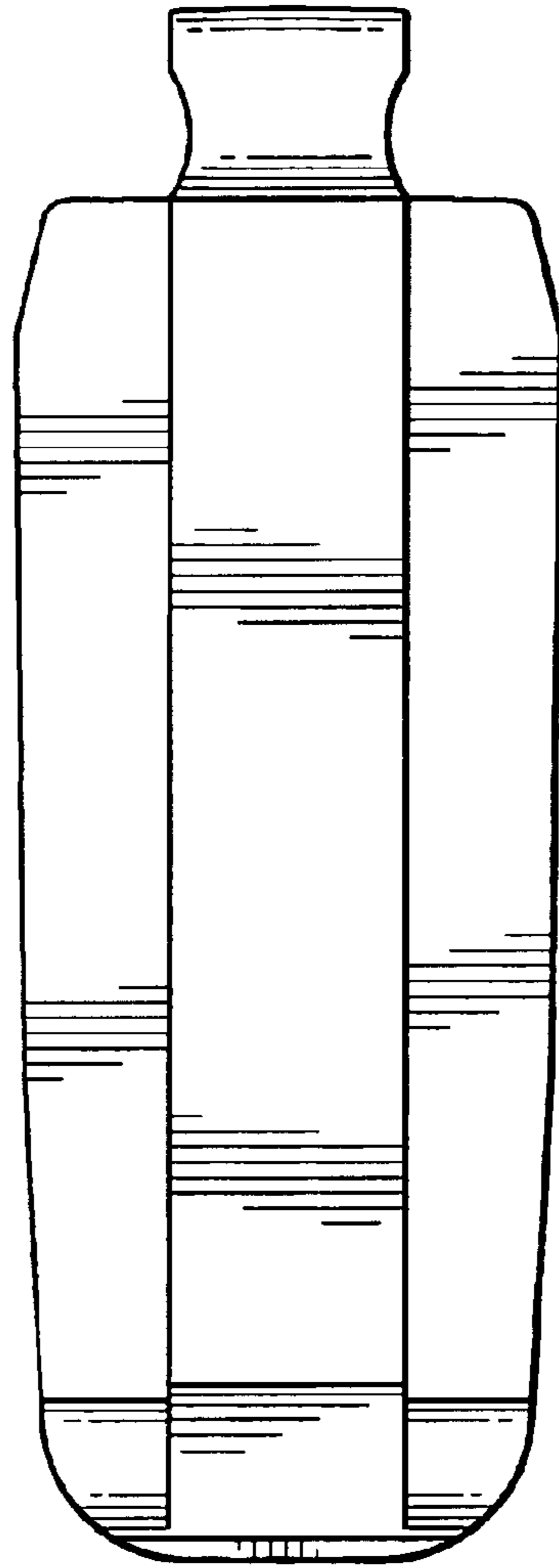


FIG. 2

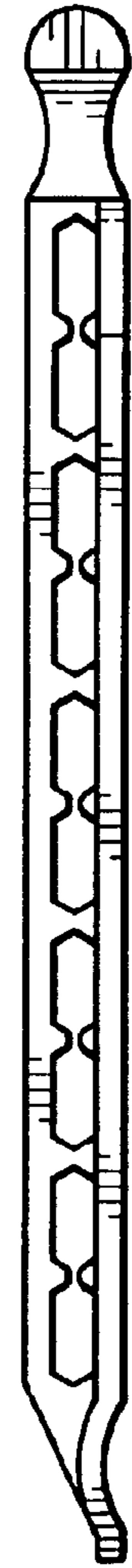


FIG. 3

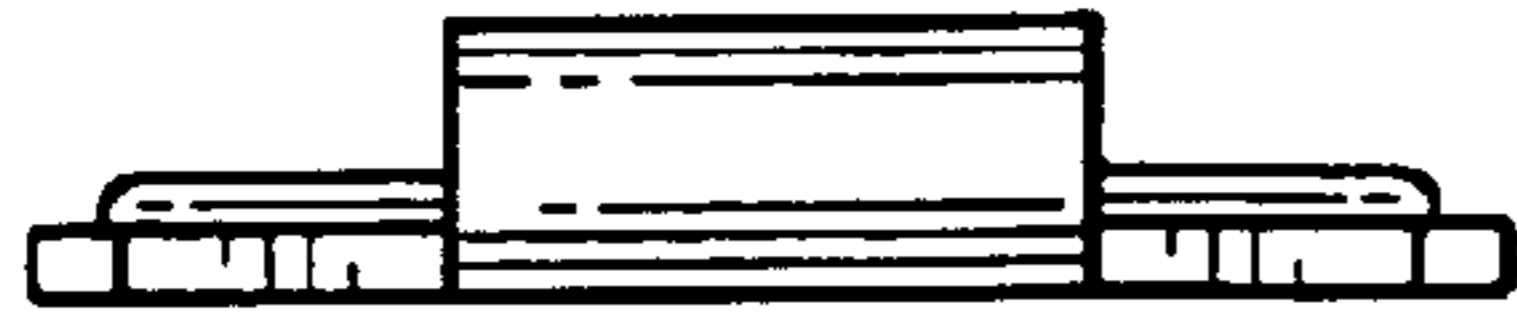


FIG. 4

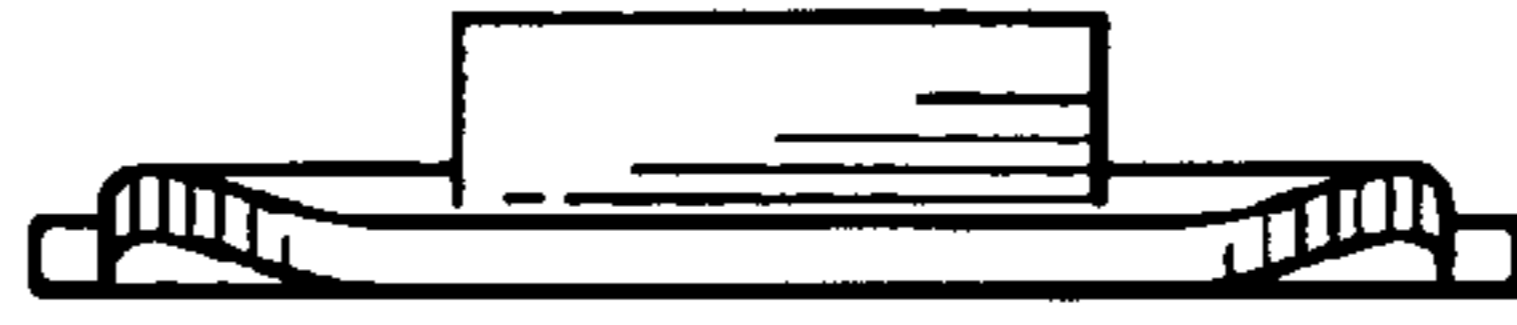


FIG. 5

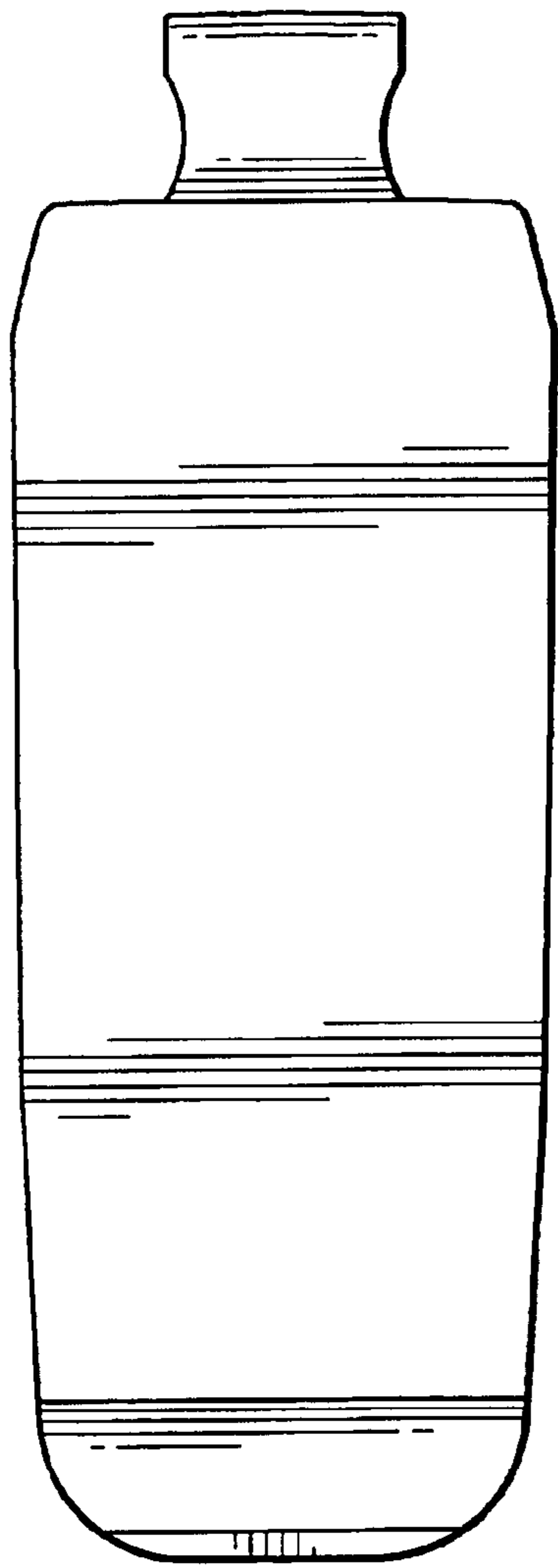


FIG. 6

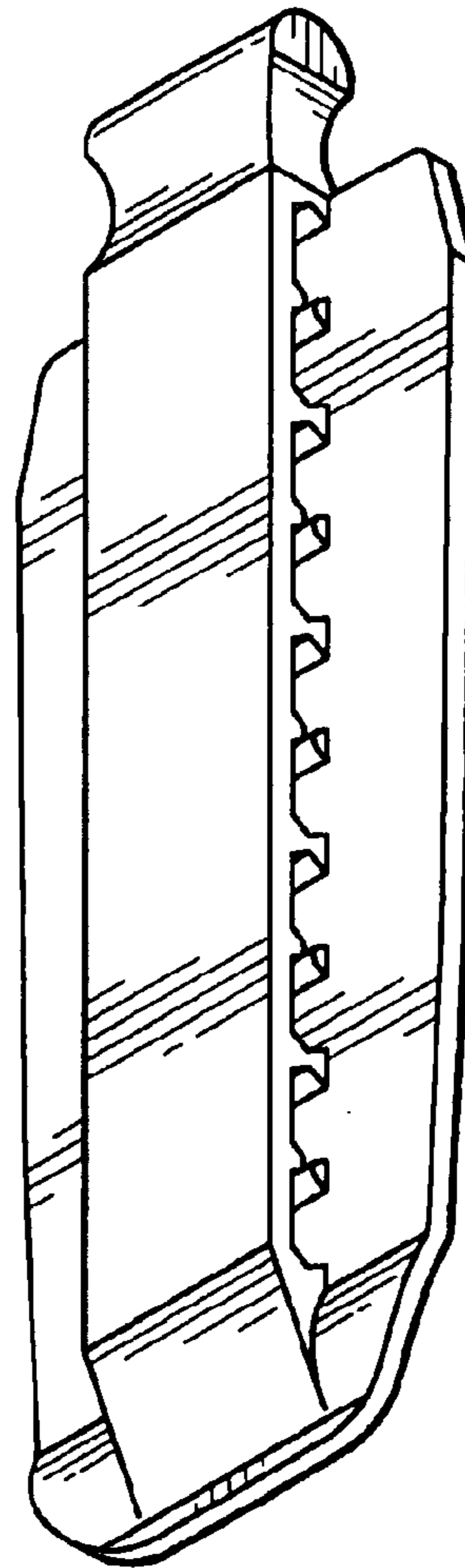


FIG. 7