



US00D512552S

(12) **United States Design Patent**  
**Benini**

(10) **Patent No.:** **US D512,552 S**

(45) **Date of Patent:** **\*\* Dec. 13, 2005**

(54) **GRIPPING PANEL OF AN ATHLETIC JERSEY**

D423,762 S \* 5/2000 Dale ..... D2/853

\* cited by examiner

(75) **Inventor:** **Bryon Benini**, Cardiff By The Sea, CA (US)

*Primary Examiner*—Doris Clark

(74) *Attorney, Agent, or Firm*—Richard D. Clarke

(73) **Assignee:** **Dye Precision, Inc.**, San Diego, CA (US)

(57) **CLAIM**

(\*\*) **Term:** **14 Years**

The ornamental design for a gripping panel of an athletic jersey, as shown and described.

(21) **Appl. No.:** **29/166,978**

**DESCRIPTION**

(22) **Filed:** **Sep. 6, 2002**

(51) **LOC (6) Cl.** ..... **02-02**

FIG. 1 is a front view of the gripping panel;

(52) **U.S. Cl.** ..... **D2/853**

FIG. 2 is a rear view thereof; and,

(58) **Field of Search** ..... D2/853, 728, 840; 2/1, 46, 455

FIG. 3 is a front view of the gripping panel in combination with an athletic jersey.

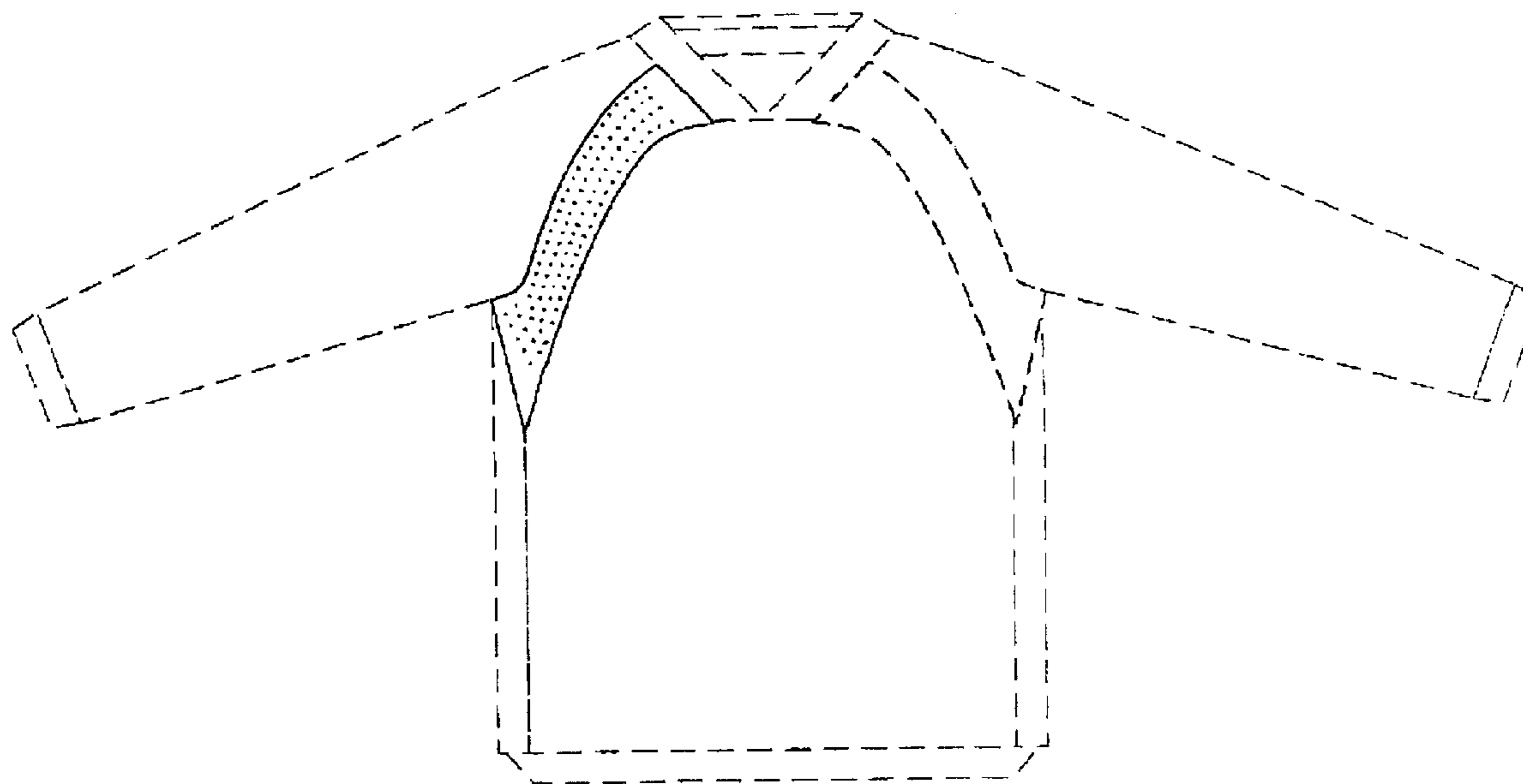
The broken lines are for illustrative purposes only and form no part of the claimed design.

(56) **References Cited**

**U.S. PATENT DOCUMENTS**

D380,286 S \* 7/1997 O'Neill ..... D2/853

**1 Claim, 1 Drawing Sheet**



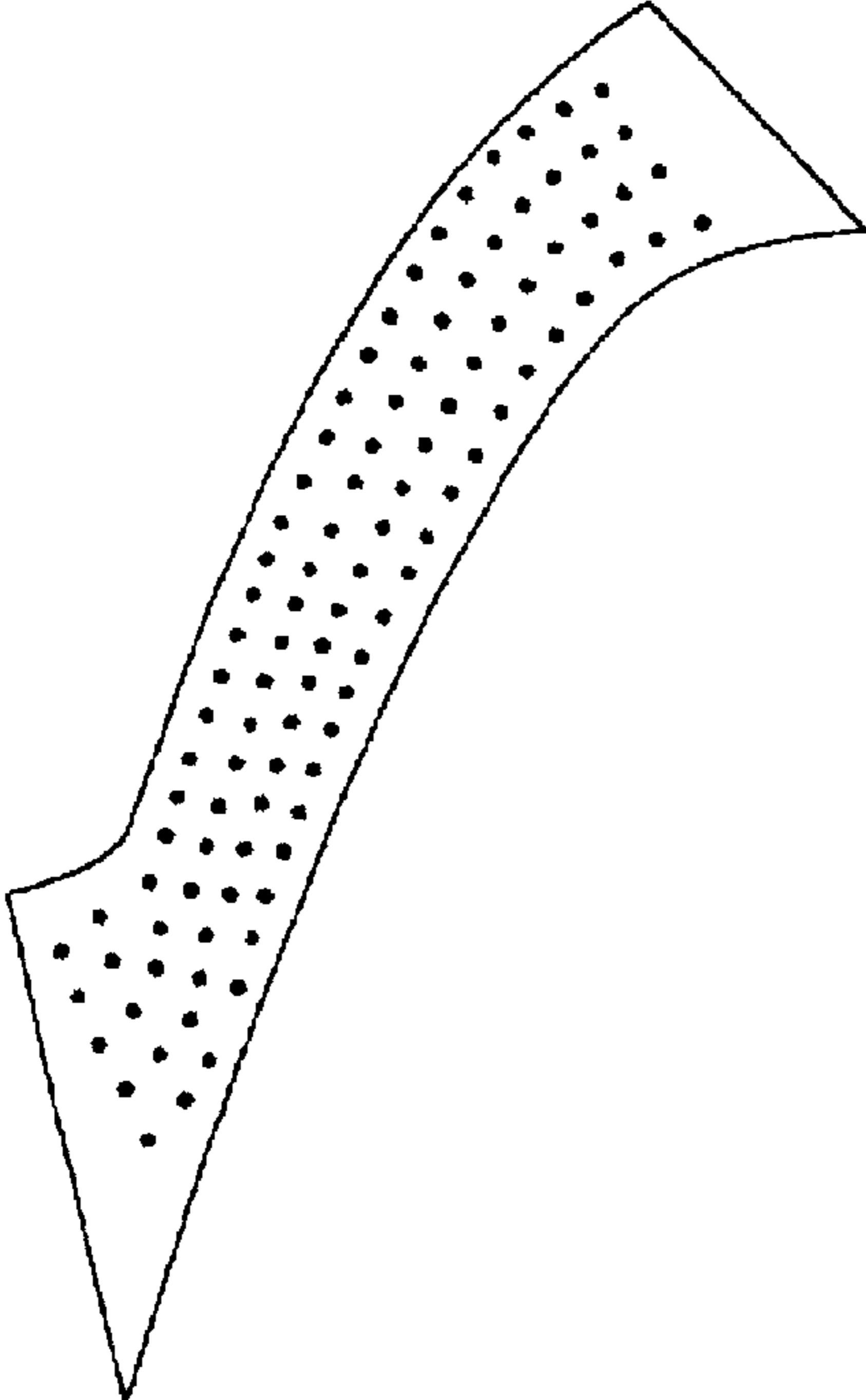


FIGURE 1

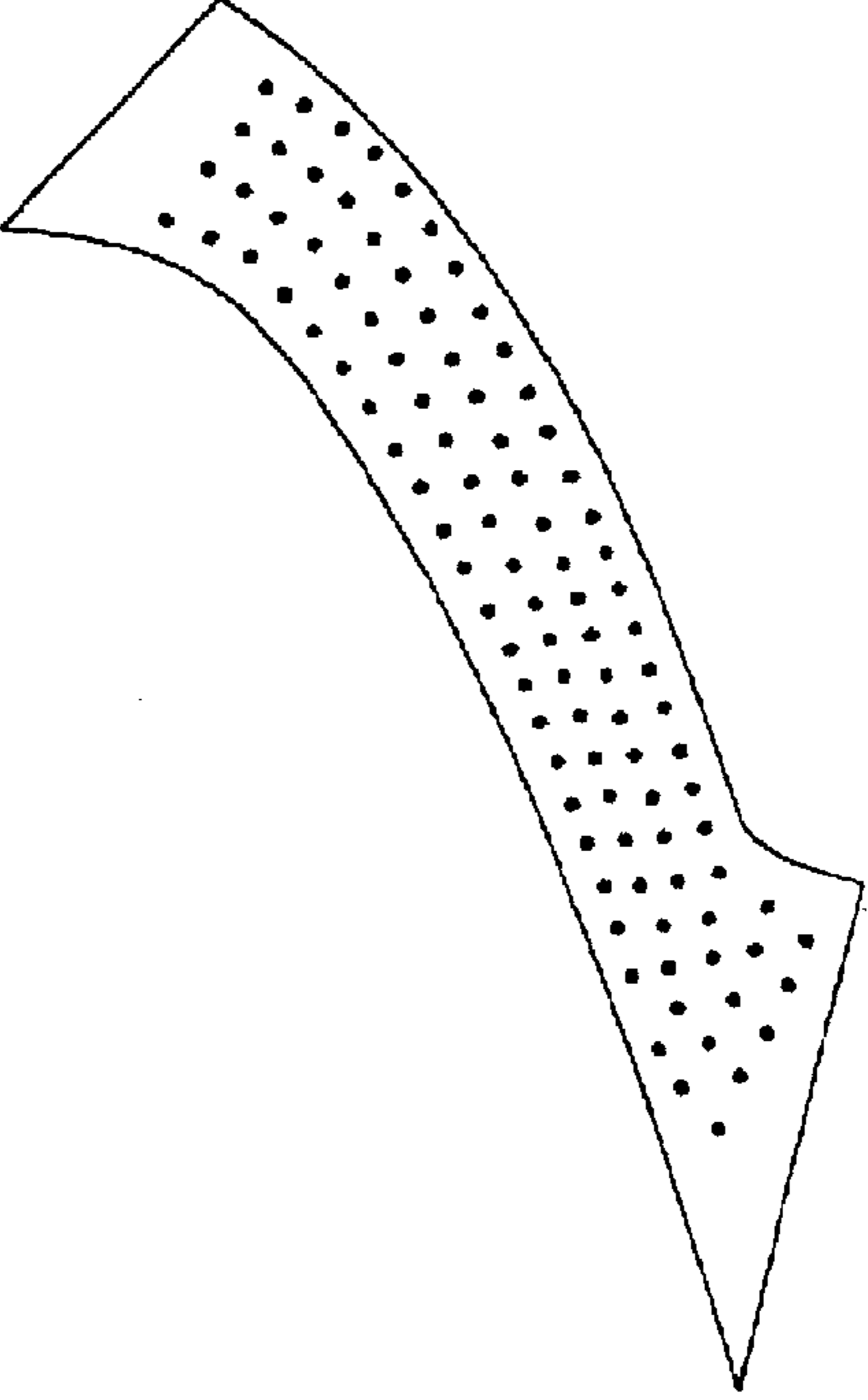


FIGURE 2

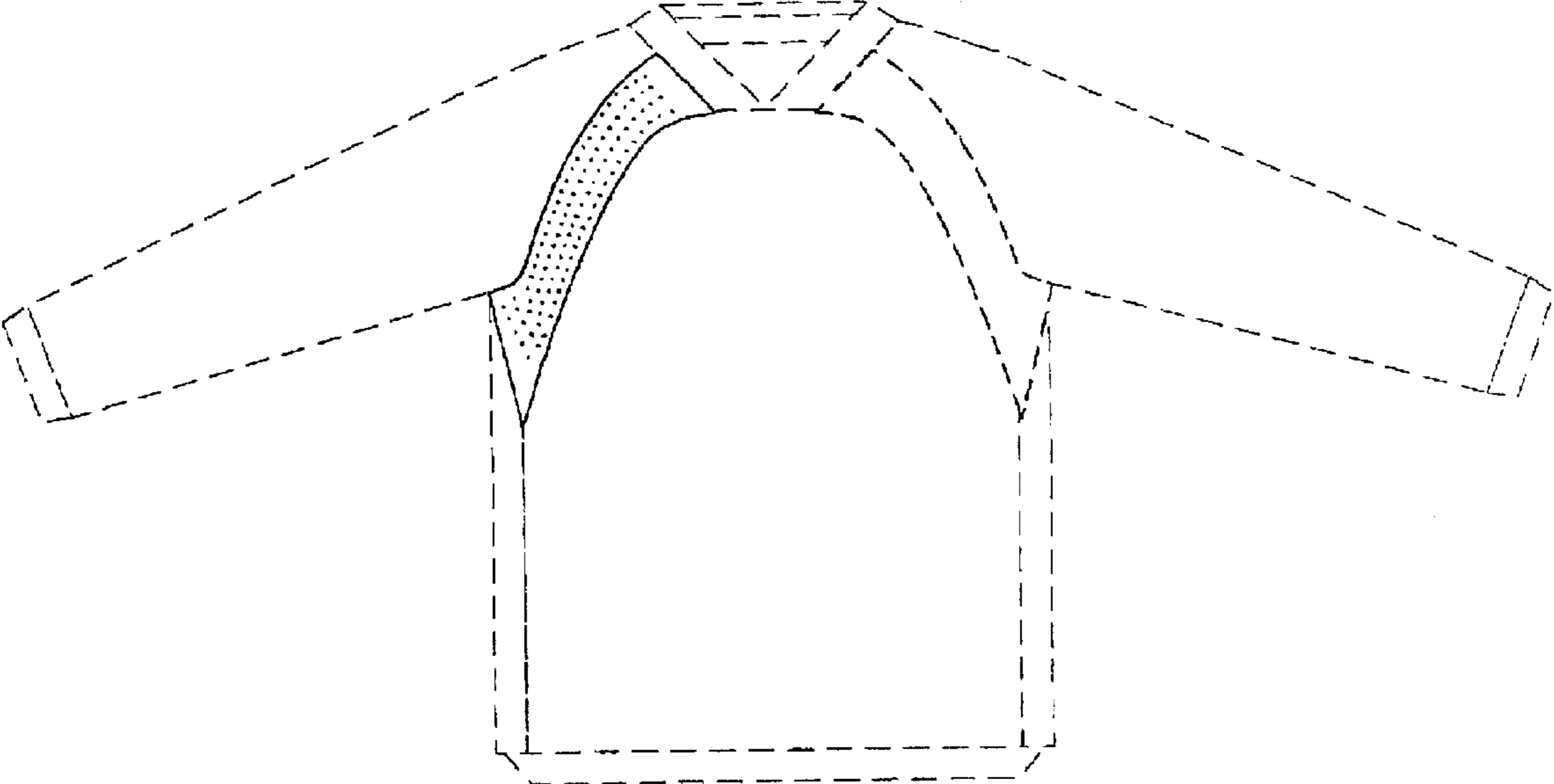


FIGURE 3