



US00D512544S

(12) **United States Design Patent**  
**Jeong et al.**

(10) **Patent No.:** **US D512,544 S**

(45) **Date of Patent:** **\*\* Dec. 6, 2005**

(54) **DOOR FOR DISHWASHER**

D493,923 S \* 8/2004 Ott et al. .... D32/3  
D495,102 S \* 8/2004 Kaczmarek .... D32/3

(75) Inventors: **Sang Moon Jeong**, Kyunggi-do (KR);  
**Yoon Ha**, Seoul (KR)

\* cited by examiner

(73) Assignee: **LG Electronics Inc.**, Seoul (KR)

*Primary Examiner*—Louis S. Zarfes  
*Assistant Examiner*—John Windmuller

(\*\*) Term: **14 Years**

(74) *Attorney, Agent, or Firm*—Birch, Stewart, Kolasch &  
Birch, LLP

(21) Appl. No.: **29/200,972**

(57) **CLAIM**

(22) Filed: **Mar. 9, 2004**

We claim the ornamental design for door for dishwasher, as shown and described.

(30) **Foreign Application Priority Data**

Sep. 16, 2003 (KR) ..... 30-2003-0026102

**DESCRIPTION**

(51) **LOC (8) Cl.** ..... **15-05**

FIG. 1 is a perspective view of door for dishwasher showing the new design:

(52) **U.S. Cl.** ..... **D32/3**

FIG. 2 is a front view thereof;

(58) **Field of Search** ..... D32/1-3, 5, 6,  
D32/8, 25, 28; D7/340, 405, 348-351;  
68/212; 312/31, 228, 228.1, 204; 134/113,  
201, 57 D, 57 DL, 56 D, 58 D, 58 DL

FIG. 3 is a rear view thereof;

FIG. 4 is a left-side view thereof;

FIG. 5 is a right-side view thereof;

FIG. 6 is a top plan view thereof;

FIG. 7 is a bottom plan view thereof; and,

FIG. 8 is a perspective view thereof attached to a dishwasher. The broken line showing of portions of a dishwasher in FIG. 8 is for illustrative purposes only and forms no part of the claimed design.

(56) **References Cited**

**U.S. PATENT DOCUMENTS**

D377,853 S \* 2/1997 Sparks ..... D32/3  
D385,070 S \* 10/1997 Hughes et al. .... D32/3  
D493,580 S \* 7/2004 Ott et al. .... D32/3

**1 Claim, 6 Drawing Sheets**

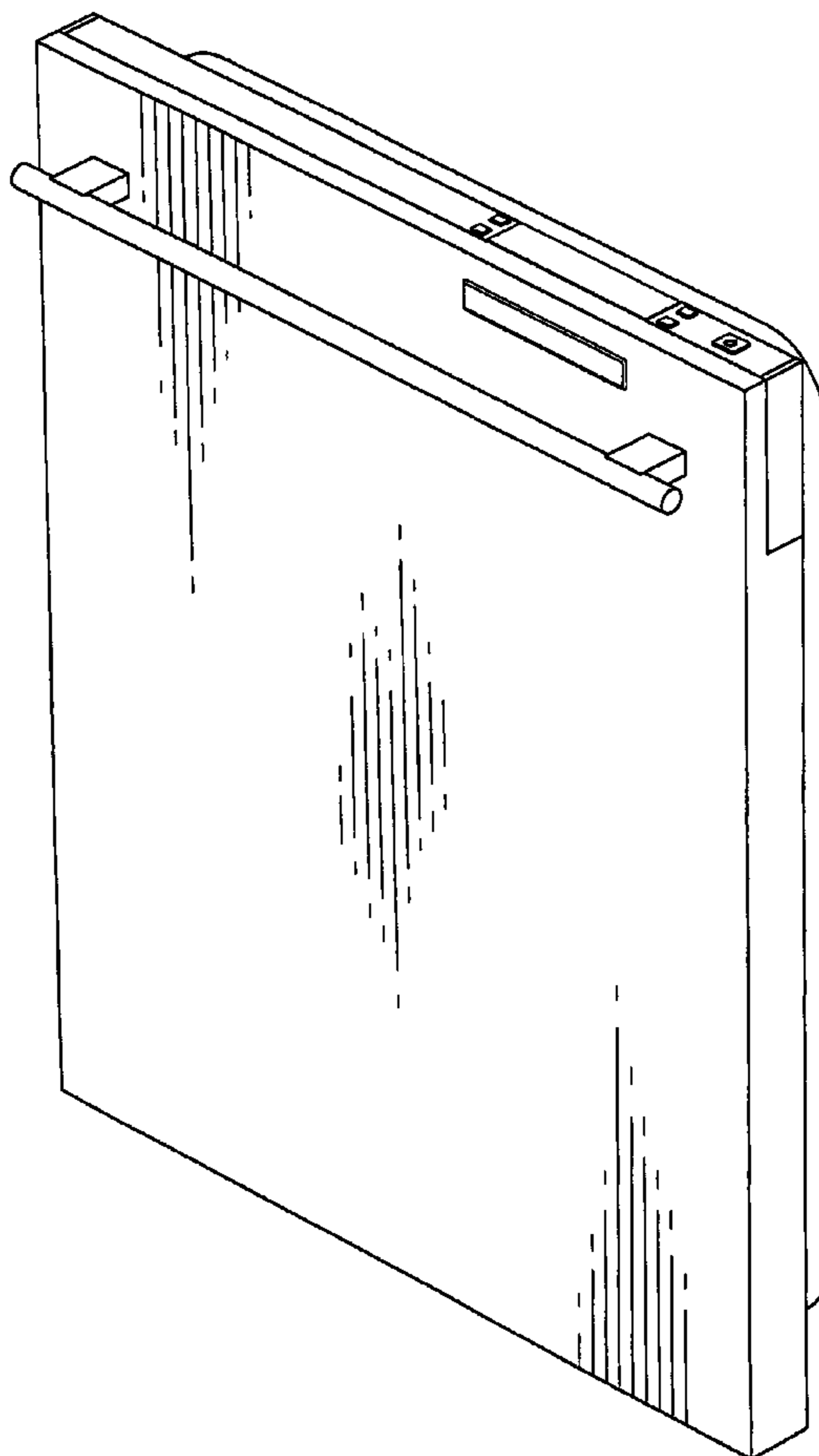


FIG. 1

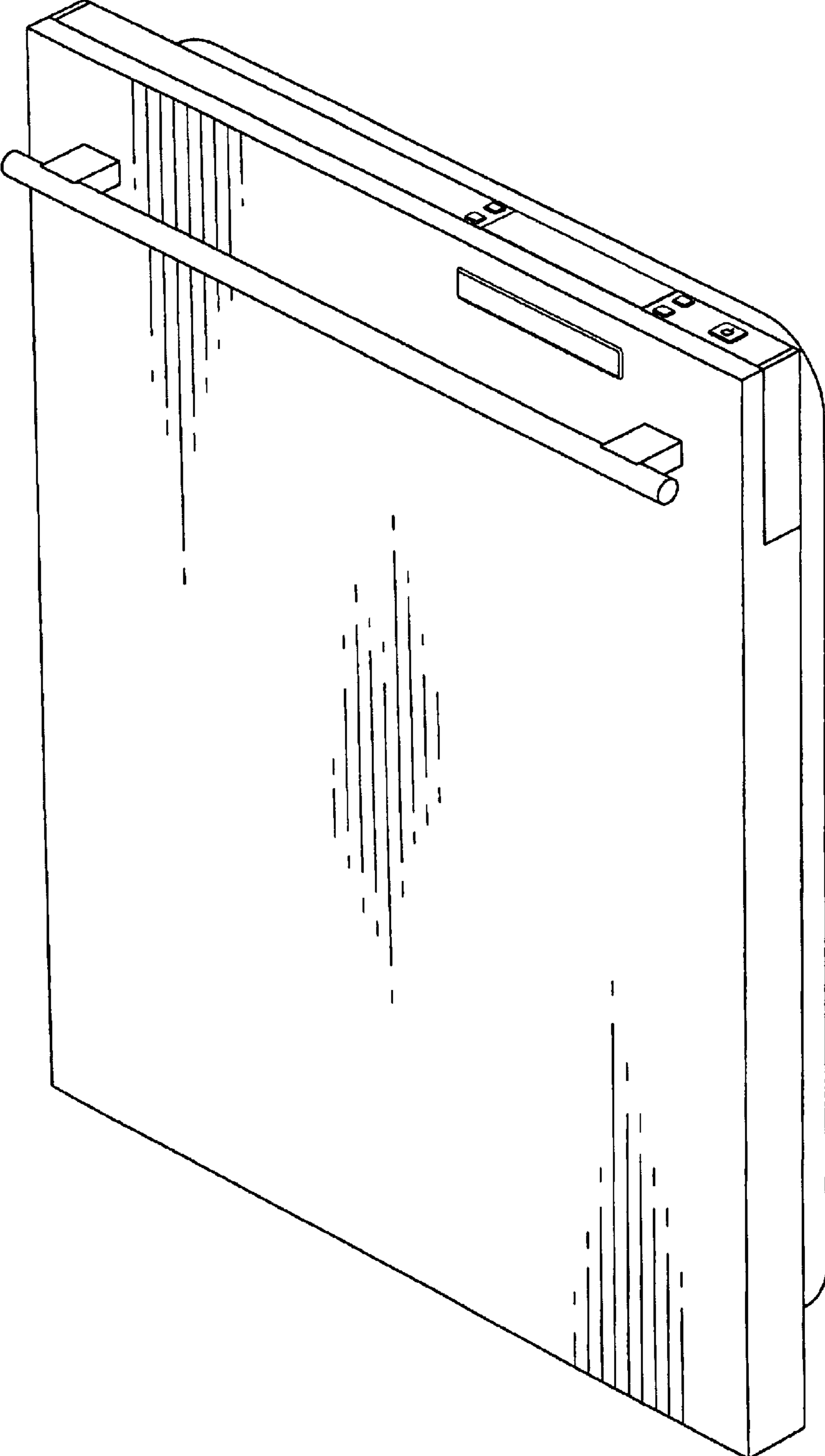


FIG. 2

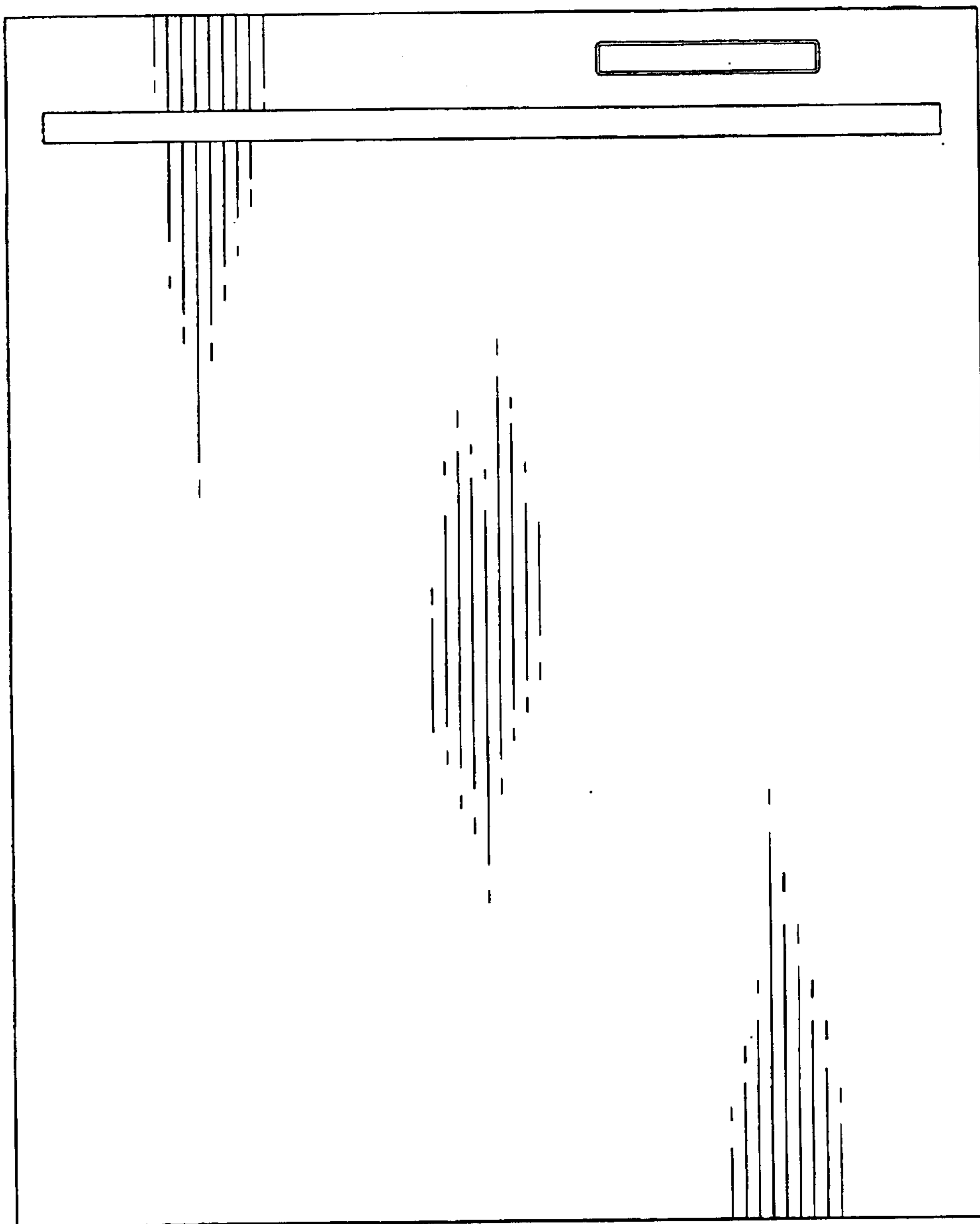


FIG. 3

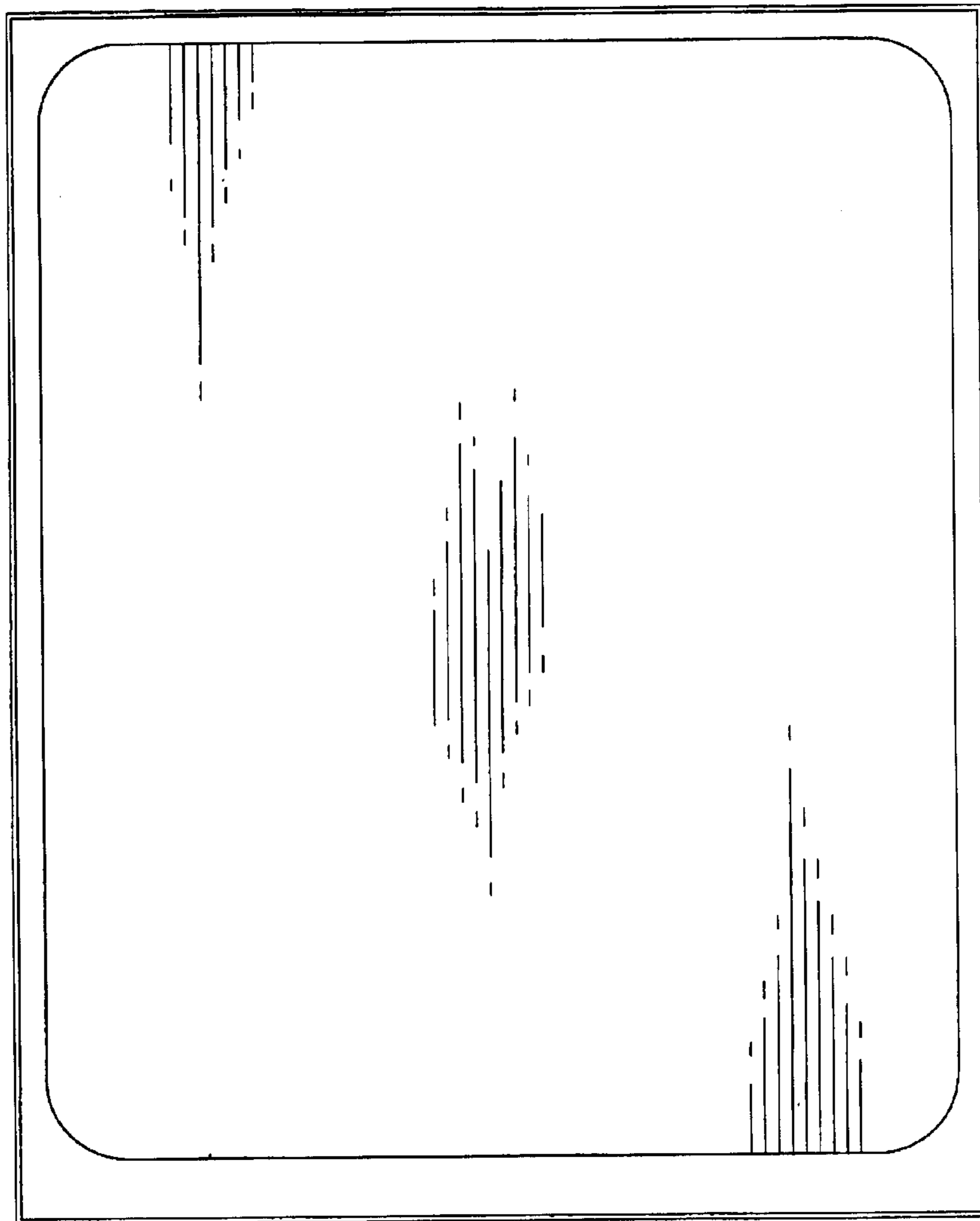


FIG. 4

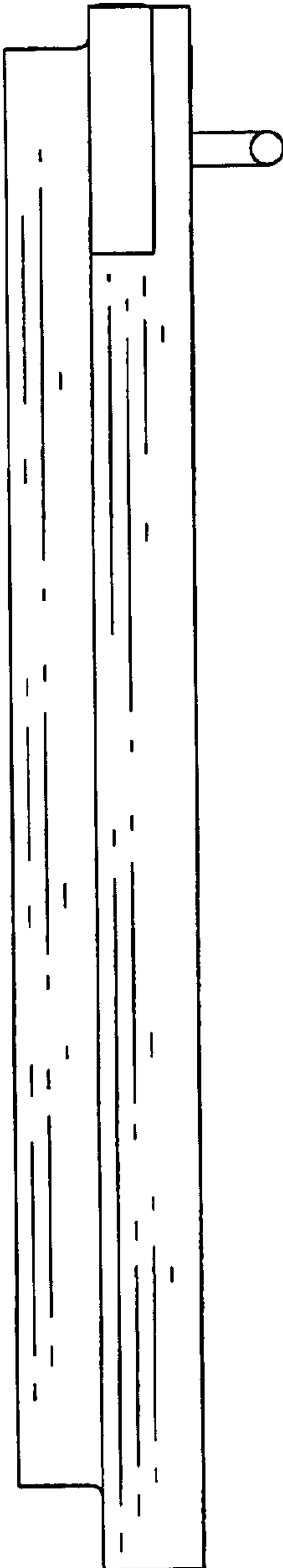


FIG. 5

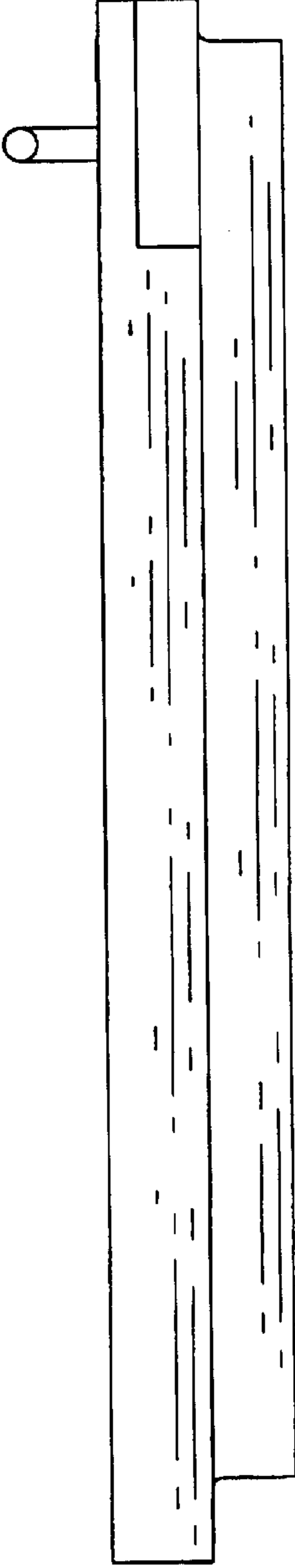


FIG. 6

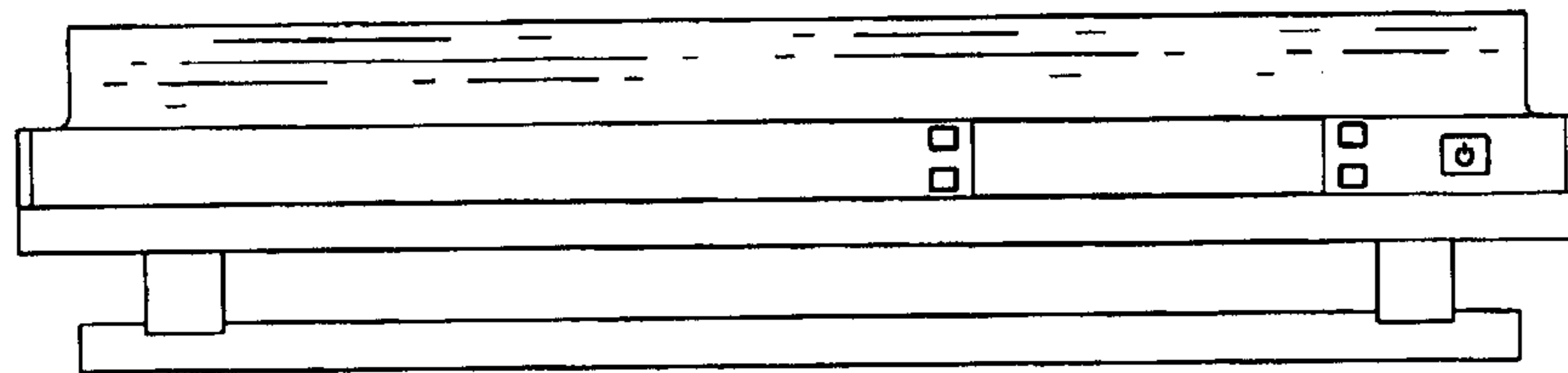


FIG. 7

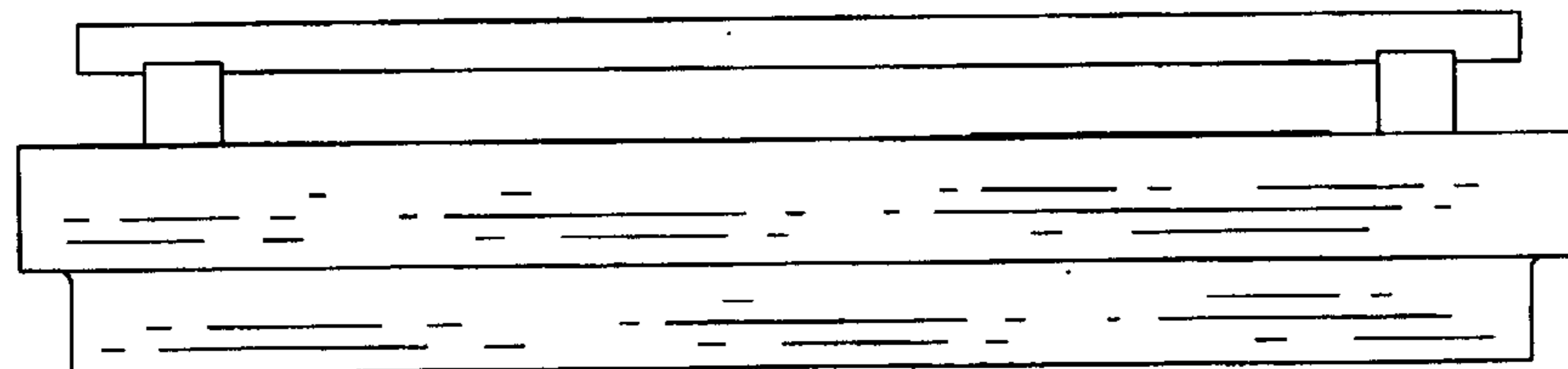


FIG. 8

