

US00D512542S

(12) **United States Design Patent**
Northrop et al.

(10) **Patent No.:** **US D512,542 S**
(45) **Date of Patent:** **** Dec. 6, 2005**

(54) **SURROUNDING HOUSING FOR A CAT LITTER BOX**

(75) Inventors: **Melaney Northrop**, Cleburne, TX (US); **Staci A. Mininger**, Dallas, TX (US)

(73) Assignee: **Doskocil Manufacturing Company, Inc.**, Arlington, TX (US)

(**) Term: **14 Years**

(21) Appl. No.: **29/176,397**

(22) Filed: **Feb. 21, 2003**

(51) **LOC (8) Cl.** **30-99**

(52) **U.S. Cl.** **D30/161**

(58) **Field of Search** D30/108-119, D30/161; 119/161, 163, 165-166, 168, 170, 482, 496, 498-499

(56) **References Cited**

U.S. PATENT DOCUMENTS

4,505,226	A	*	3/1985	Carlson	119/166
4,517,920	A	*	5/1985	Yamamoto	119/166
4,949,673	A	*	8/1990	Yamamoto	119/169
5,167,204	A	*	12/1992	Nussle	119/166
5,259,340	A	*	11/1993	Arbogast	119/166
D361,175	S	*	8/1995	VanSkiver	D30/161

5,558,041	A	*	9/1996	Fairall et al.	119/165
5,755,182	A	*	5/1998	Brown et al.	119/166
6,055,935	A	*	5/2000	Engel	119/170
6,082,302	A		7/2000	Thaler et al.		
RE36,847	E		9/2000	Waters		
6,205,954	B1		3/2001	Bogaerts		
6,378,461	B1		4/2002	Thaler et al.		
6,439,160	B1	*	8/2002	Wheelwright	119/165
D468,493	S	*	1/2003	Chase-Gilpin	D30/161
6,523,495	B1	*	2/2003	Rydman	119/167
D497,691	S	*	10/2004	Hardt	D30/161

* cited by examiner

Primary Examiner—Cathy Anne MacCormac

(74) *Attorney, Agent, or Firm*—Locke Liddell & Sapp LLP

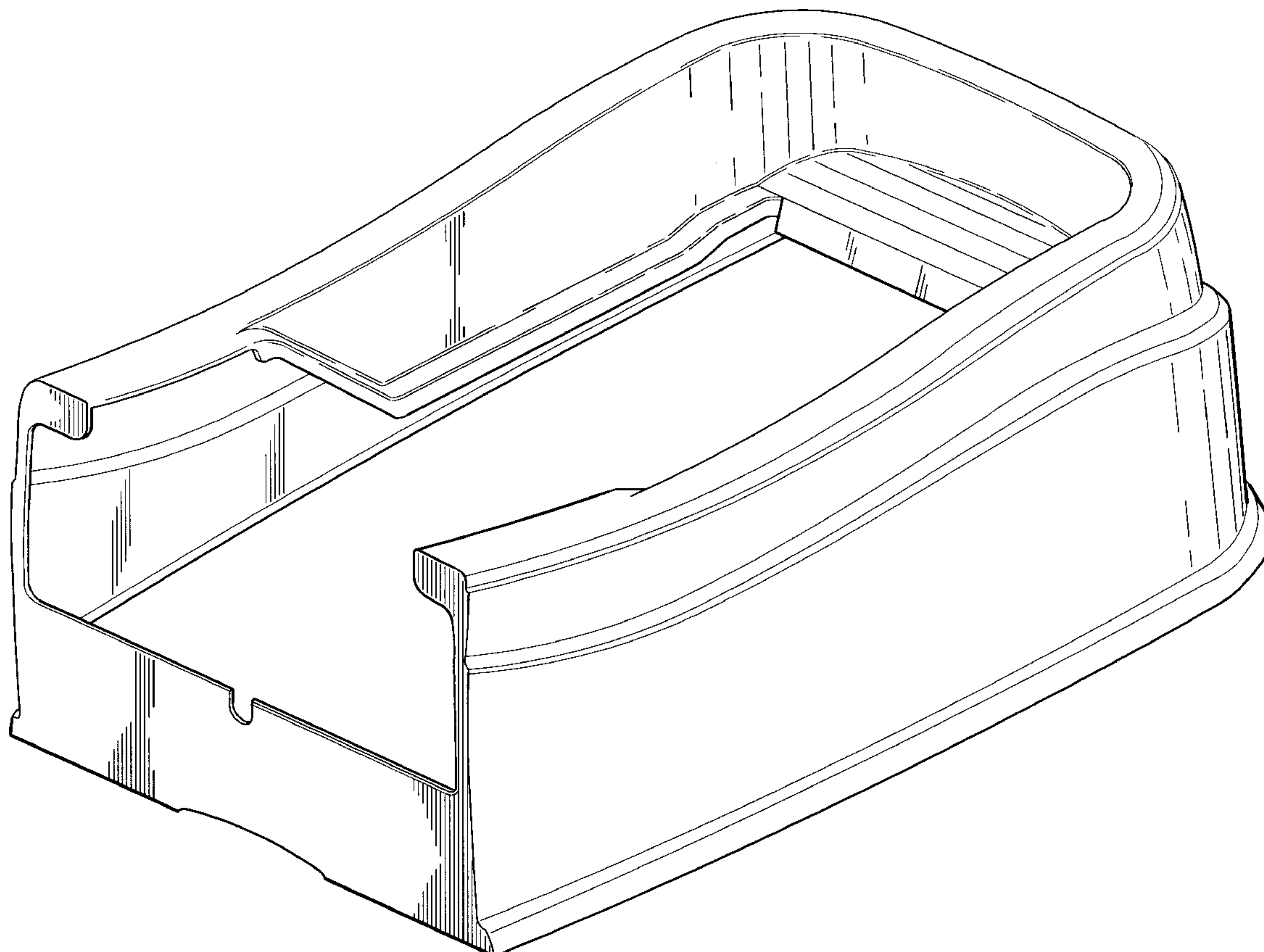
(57) **CLAIM**

The ornamental design for a surrounding housing for a cat litter box, as shown and described.

DESCRIPTION

FIG. 1 is a perspective view showing our design; FIG. 2 is a right side elevation view of the litter box with the left side being a mirror image; FIG. 3 is a front elevation view thereof; FIG. 4 is a rear elevation view thereof; FIG. 5 is a top plan view thereof; and, FIG. 6 is a bottom plan view thereof.

1 Claim, 5 Drawing Sheets



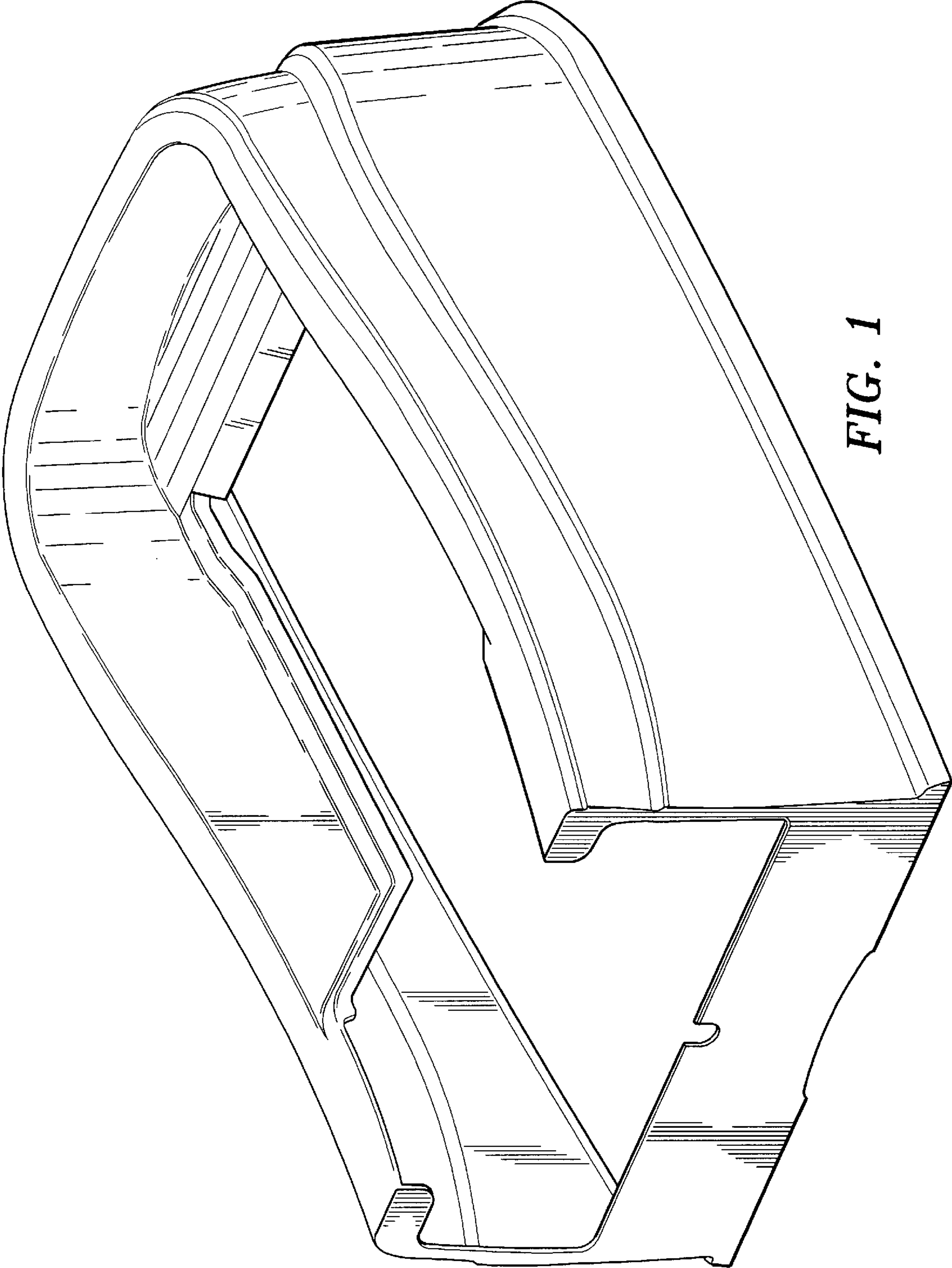


FIG. 1

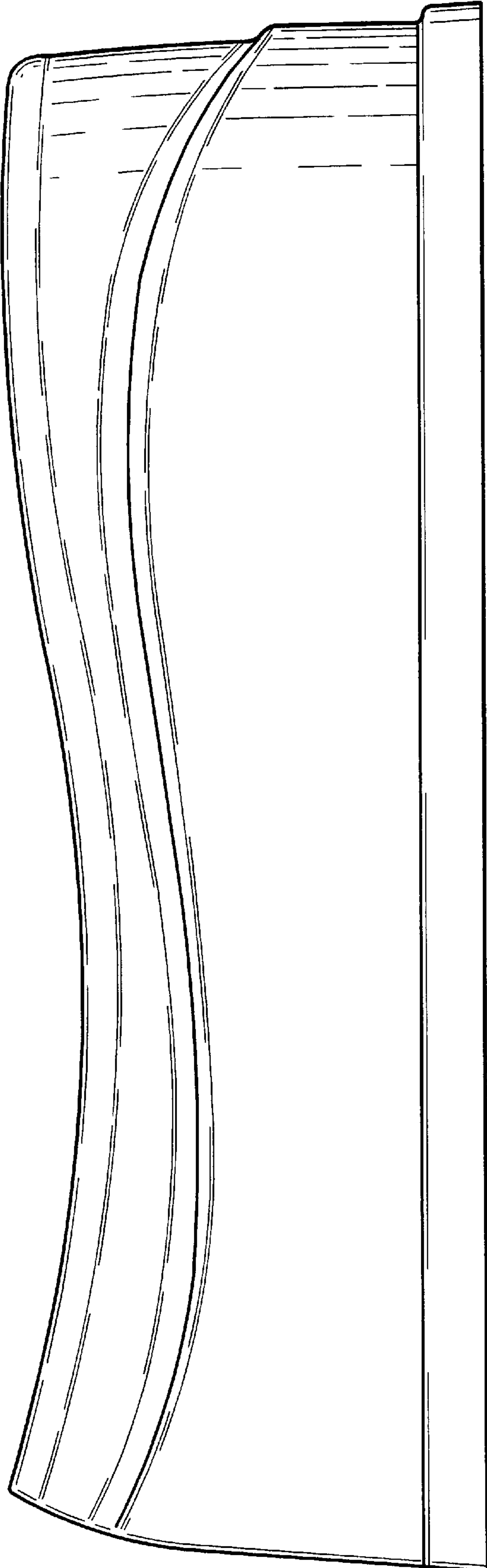


FIG. 2

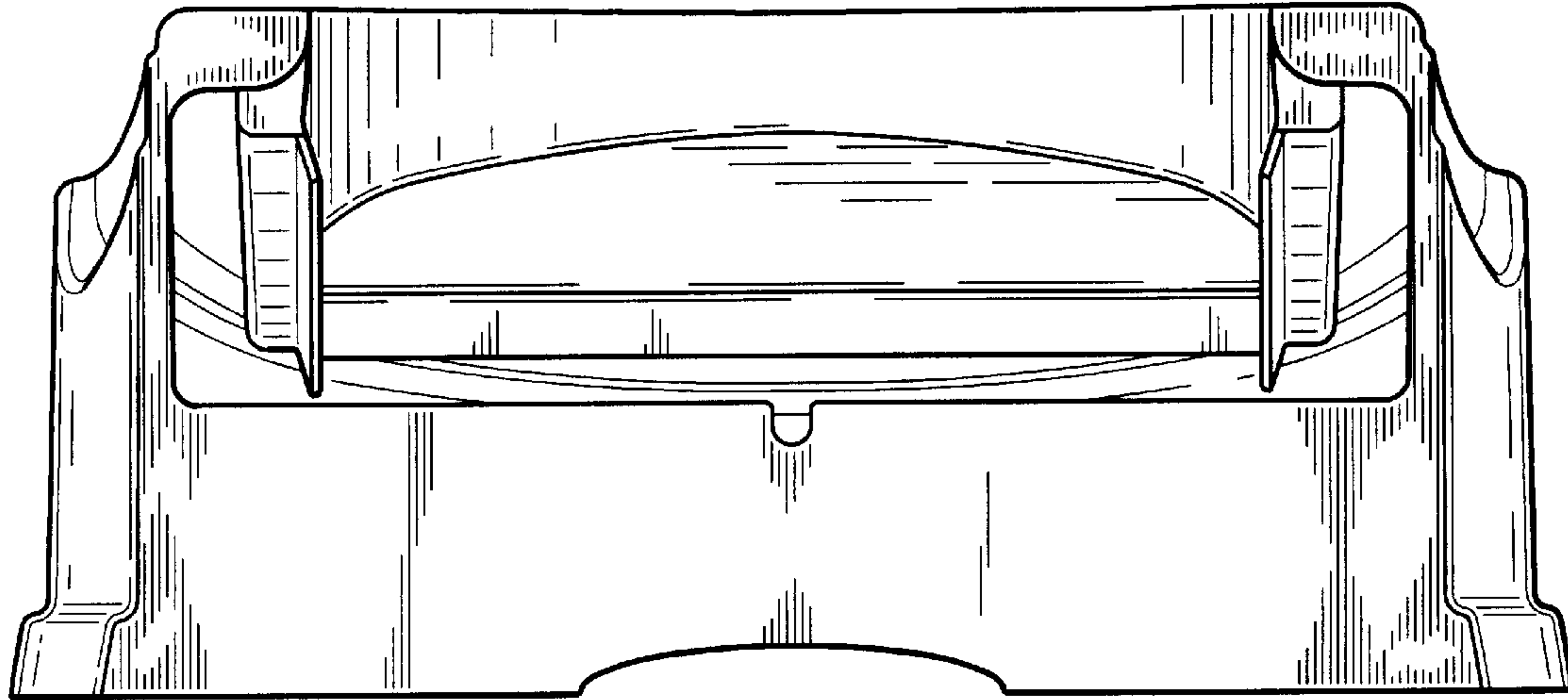


FIG. 3

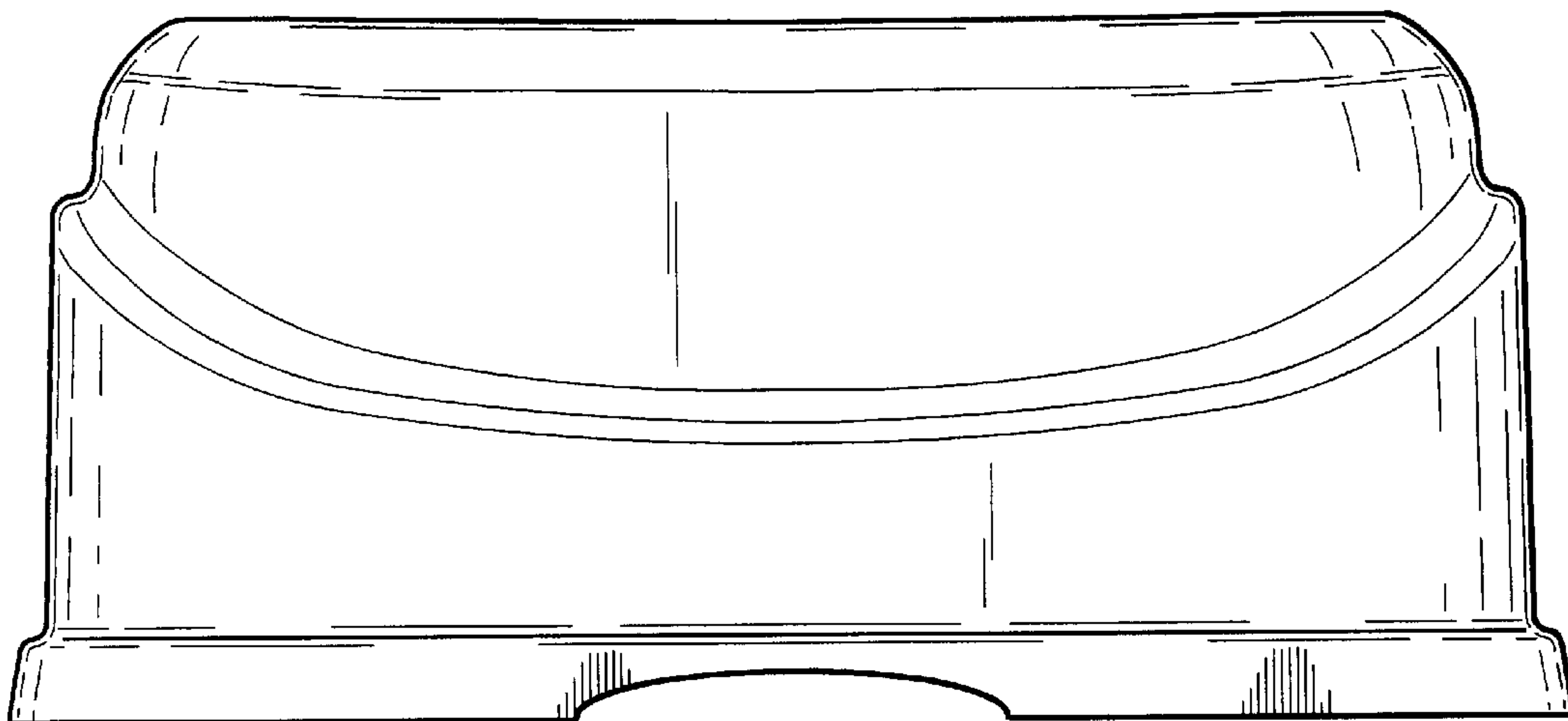


FIG. 4

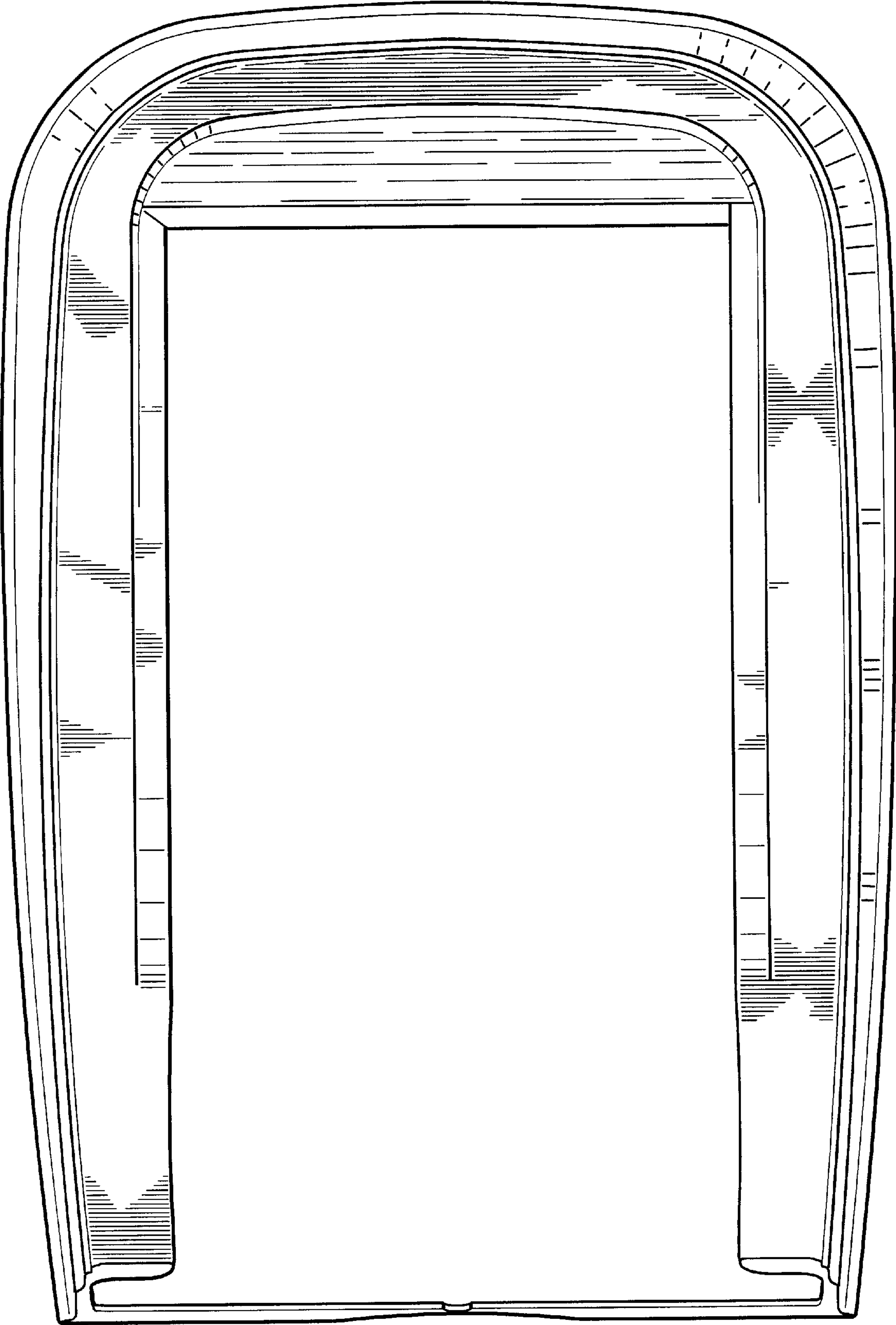


FIG. 5

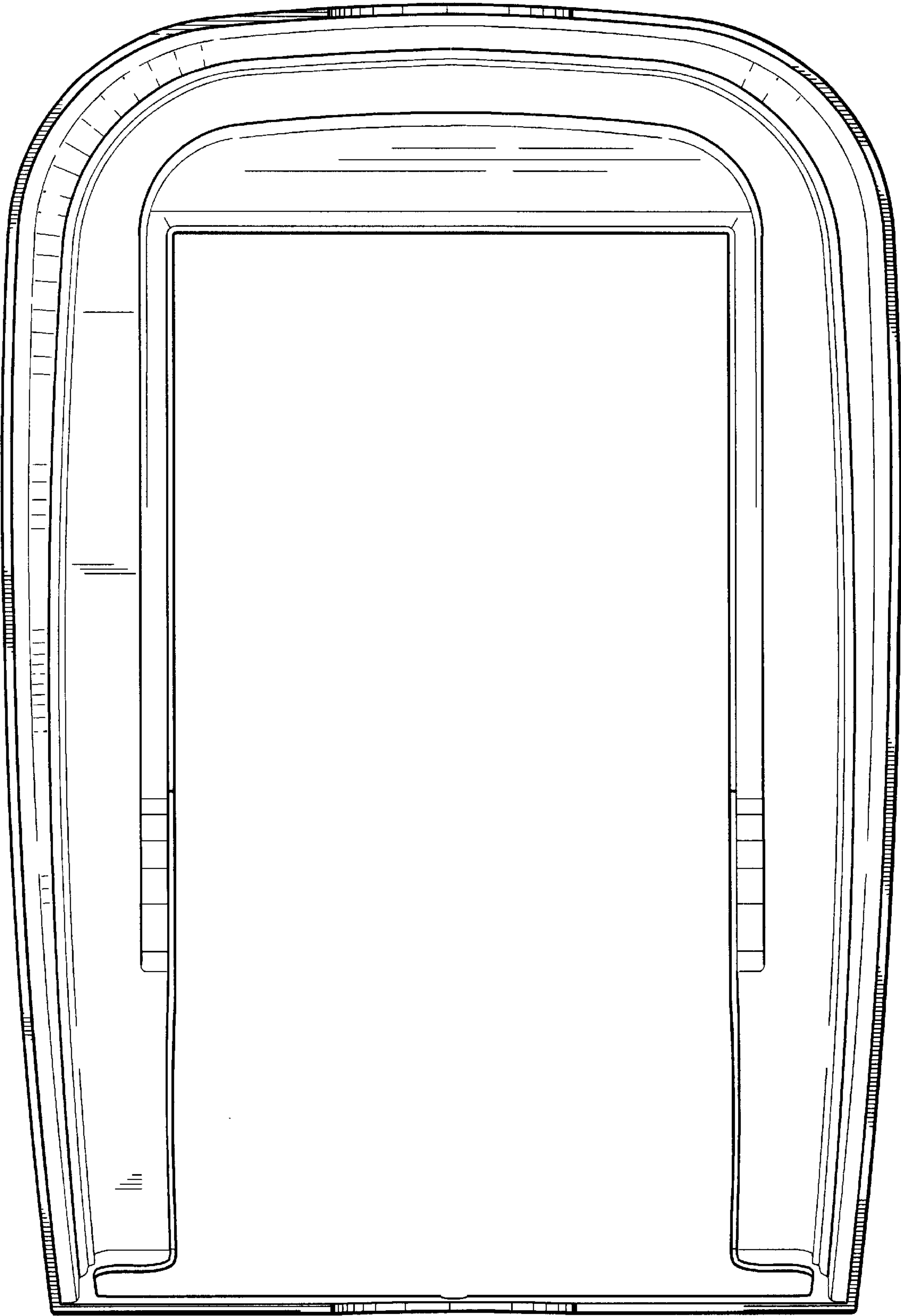


FIG. 6