



US00D512538S

(12) **United States Design Patent**  
**Bird et al.**

(10) **Patent No.:** **US D512,538 S**  
(45) **Date of Patent:** **\*\* Dec. 6, 2005**

(54) **FEED HOPPER**

(75) Inventors: **Charles R. Bird**, Milford, IN (US);  
**Lionel L. Kreger**, Warsaw, IN (US);  
**Theodore J. Cole**, Milford, IN (US)

(73) Assignee: **CTB IP, Inc.**, Wilmington, DE (US)

(\*\*) Term: **14 Years**

(21) Appl. No.: **29/209,557**

(22) Filed: **Jul. 16, 2004**

(51) **LOC (8) Cl.** ..... **30-07**

(52) **U.S. Cl.** ..... **D30/121**; 119/52.1

(58) **Field of Search** ..... D30/124, 132,  
D30/121-2, 126, 128; 119/51.01, 53, 52.1,  
57.5, 57.6; 209/270, 283, 244; 221/174

(56) **References Cited**

**U.S. PATENT DOCUMENTS**

2,534,442	A	*	12/1950	Harvey	.....	119/53
2,601,057	A	*	6/1952	Roberts et al.	.....	119/57.6
4,841,912	A	*	6/1989	Oswald	.....	119/53
4,889,078	A	*	12/1989	Smiley	.....	119/53.5
4,945,859	A	*	8/1990	Churchwell	.....	119/57.91
5,069,164	A	*	12/1991	Wiwi	.....	119/53

**OTHER PUBLICATIONS**

Chore-Time Hopper Weigh Scales brochure; One page; Published Jun. of 1988.  
Chore-Time 100# Hopper Assembly and Parts List; Two pages; Published Mar. of 1992.  
Chore-Time 34851 Hopper Mount Bracket Installation Instruction sheet; One page; Published Oct. of 1995.

Chore-Time 200# Hopper Assembly and Parts List—Hopper with Switch: 9474 & Hopper without Switch: 7941; Two pages; Published Mar. of 1997.

Chore-Time 500 Pound Hopper Assembly with Legs Part No. 44297; Three pages; Published Feb. 2000.

Chore-Time Poultry Production Systems Model C2 Plus & Model G Plus Feeding System Installation and Operators Manual; Sixty pages; Published Jun. of 2001.

\* cited by examiner

*Primary Examiner*—Alan P. Douglas

*Assistant Examiner*—Susan M Lee

(74) *Attorney, Agent, or Firm*—Trexler, Bushnell, Giangiorgi, Blackstone & Marr, Ltd.

(57) **CLAIM**

We claim the ornamental design for feed hopper, as shown and described.

**DESCRIPTION**

FIG. 1 is a perspective view of the feed hopper according to our design;

FIG. 2 is a front plan view of the feed hopper according to our design;

FIG. 3 is a side plan view of the feed hopper according to our design;

FIG. 4 is a top plan view of the feed hopper according to our design; and,

FIG. 5 is a bottom plan view of the feed hopper according to our design.

The broken line showing of FIGS. 1-5 of the feed hopper is for illustrative purposes only and forms no part of the claimed design.

**1 Claim, 5 Drawing Sheets**

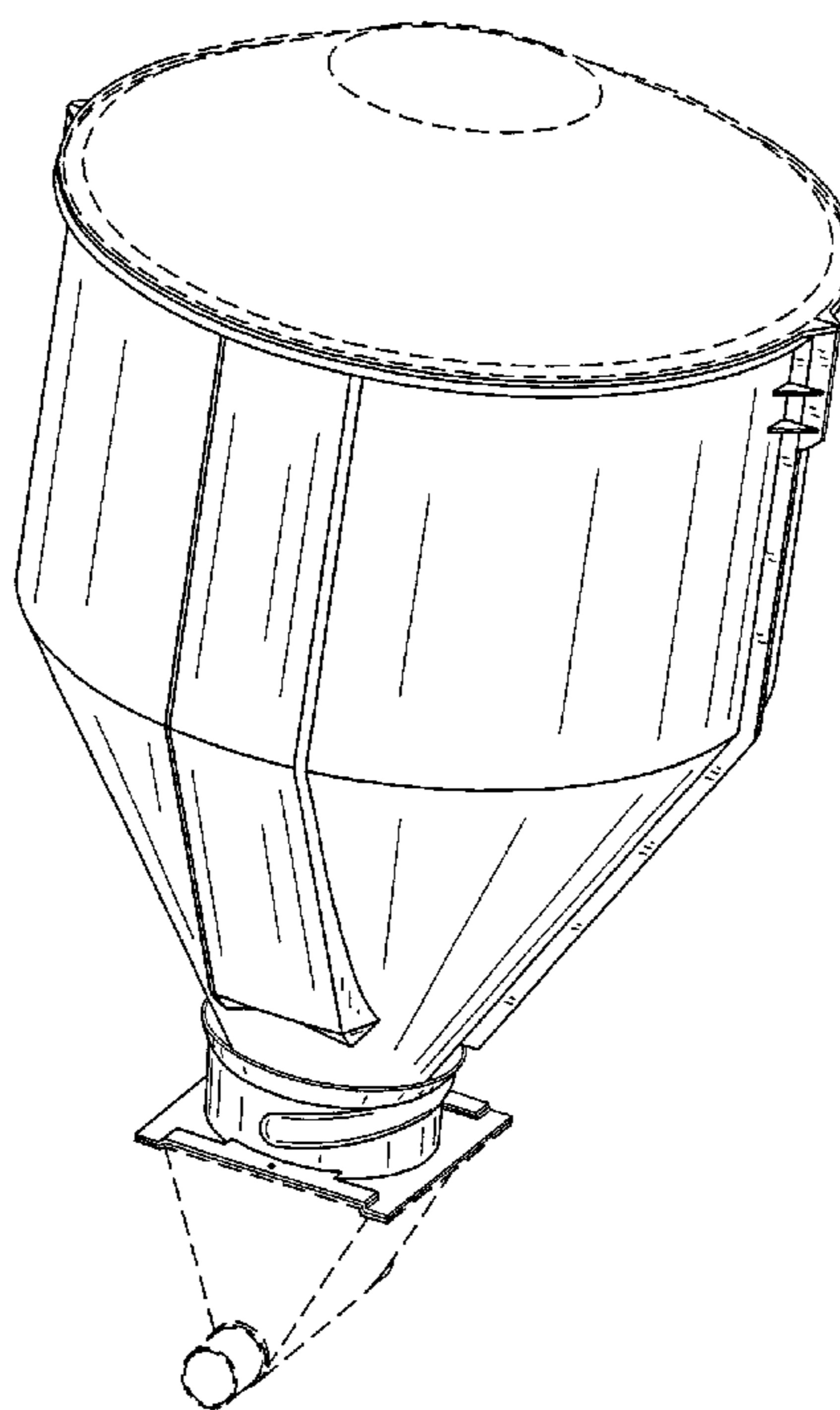


FIG. 1

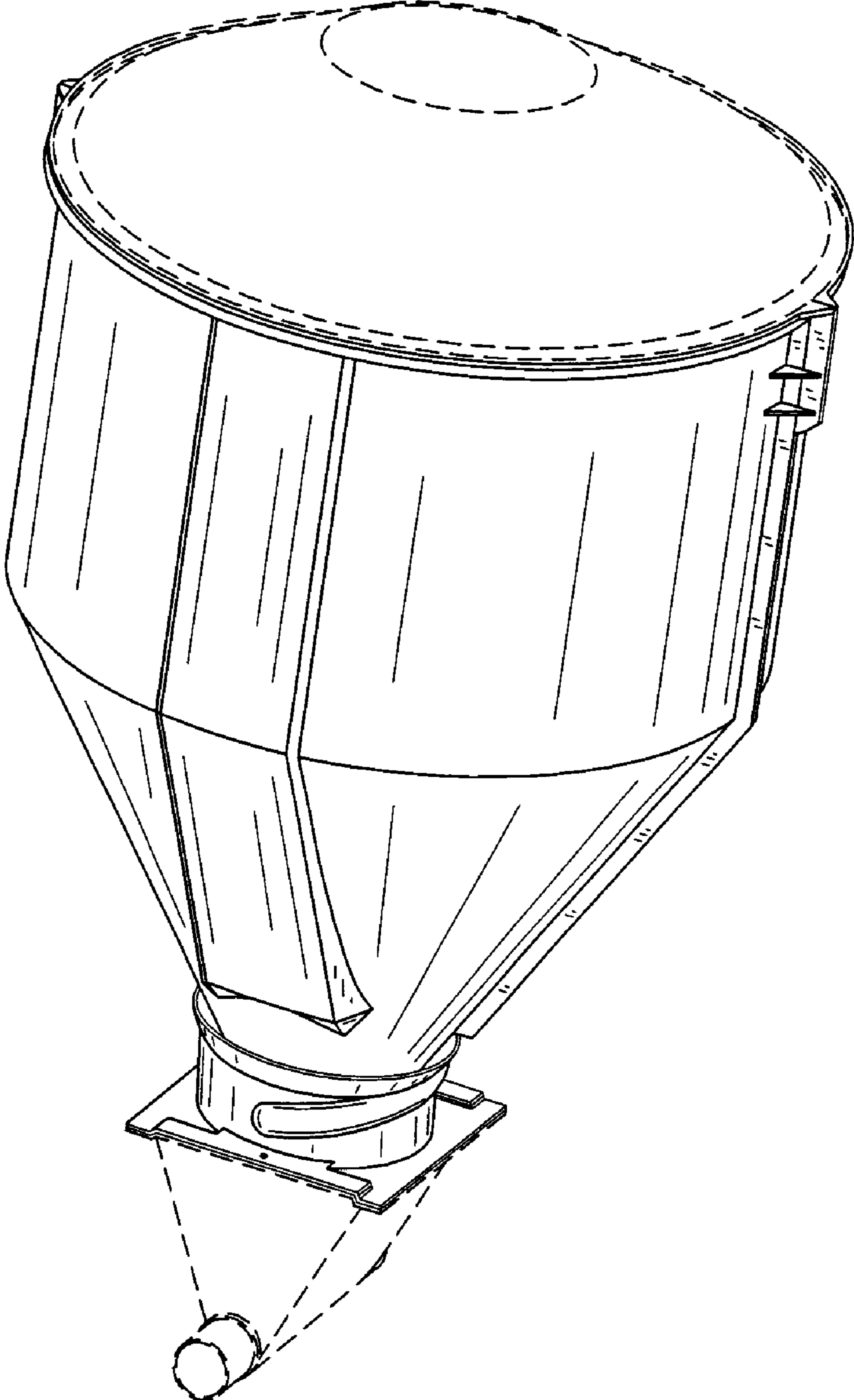


FIG. 2

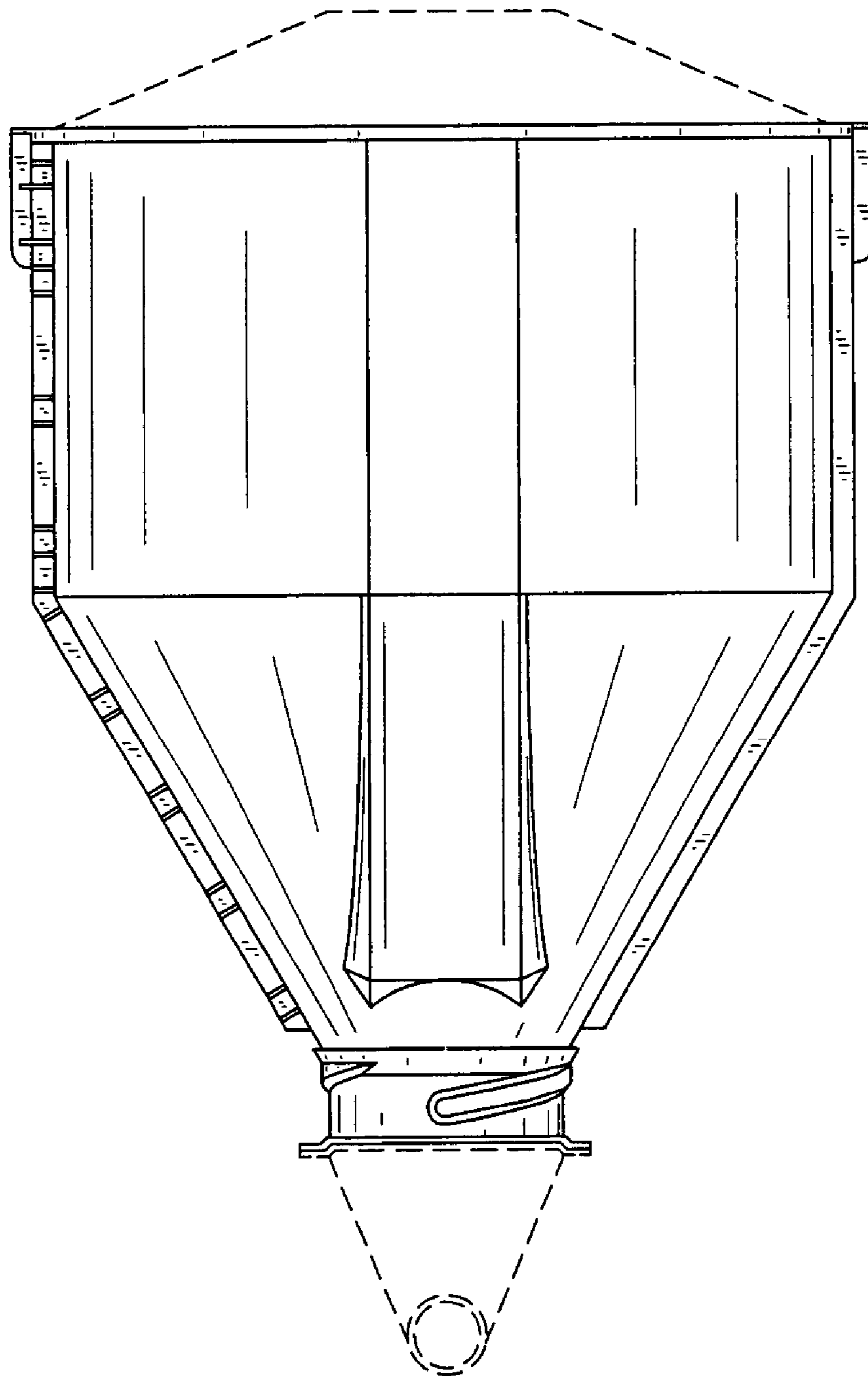


FIG. 3

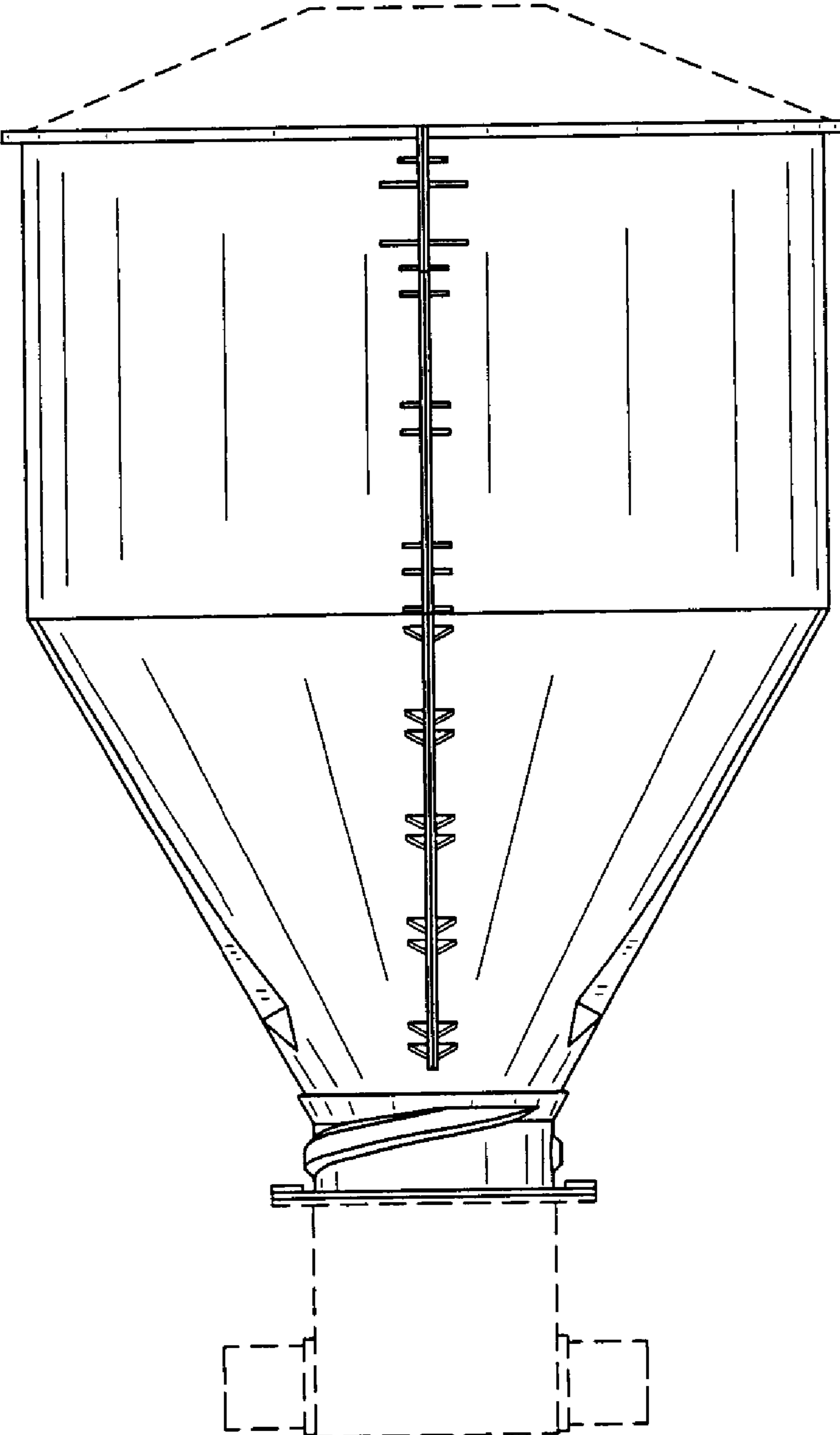


FIG. 4

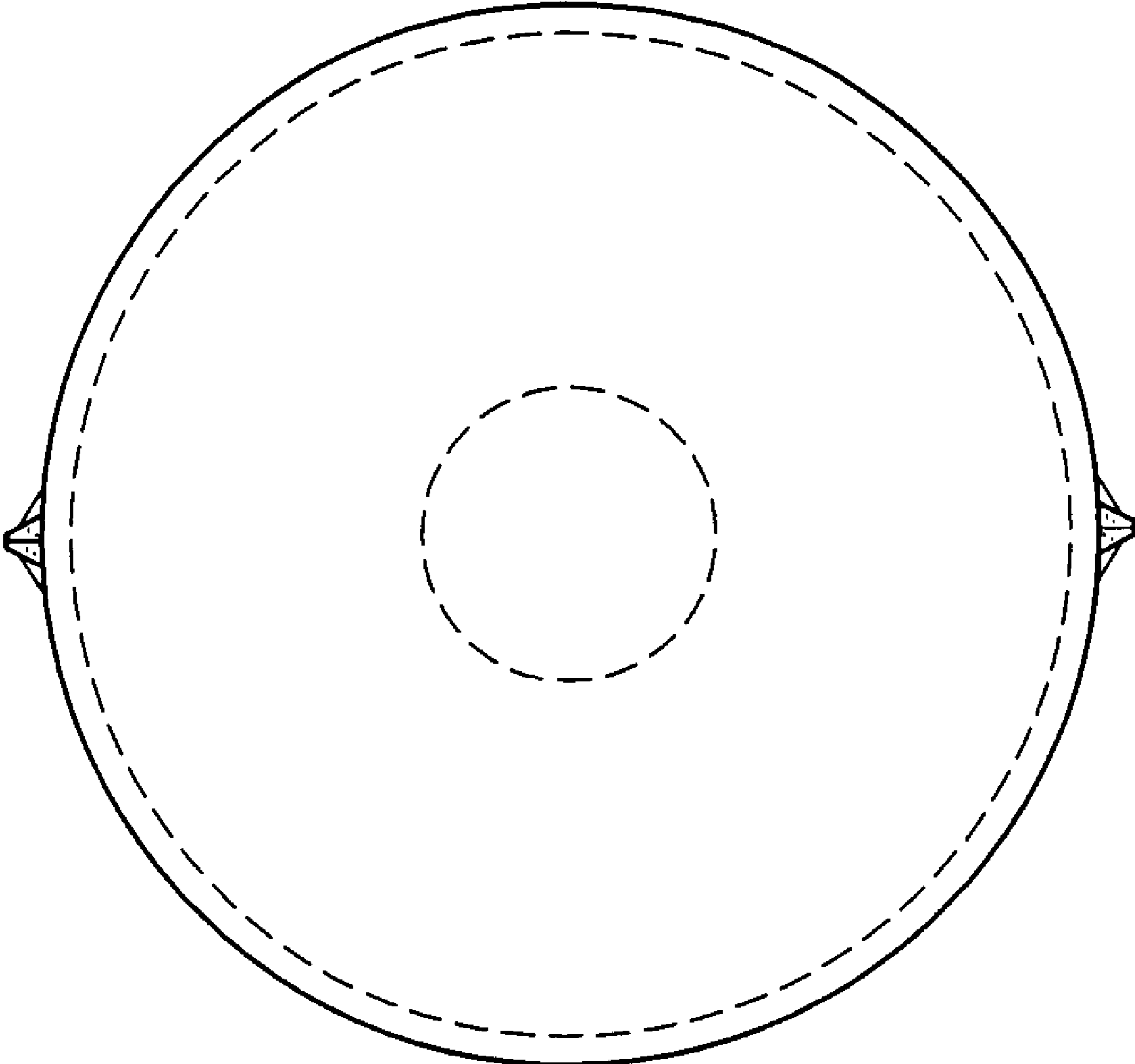


FIG. 5

