



US00D512530S

(12) **United States Design Patent**
Hartwein et al.

(10) **Patent No.:** **US D512,530 S**
(45) **Date of Patent:** **** Dec. 6, 2005**

(54) **CLEANING DEVICE FOR AN ELECTRIC SHAVER**

(75) Inventors: **Peter Hartwein**, Kronberg (DE);
Jurgen Greubel, Heidenrod (DE)

(73) Assignee: **Braun GmbH**, Kronberg (DE)

(**) Term: **14 Years**

(21) Appl. No.: **29/189,036**

(22) Filed: **Aug. 25, 2003**

(30) **Foreign Application Priority Data**

Feb. 26, 2003 (WO) DM/062 939

(51) **LOC (8) Cl.** **28-03**

(52) **U.S. Cl.** **D28/44; D28/73; D32/1**

(58) **Field of Search** D32/1, 25; 15/1,
15/104.92; 134/92, 135, 201; 320/115;
30/34.05, 541, 537-538, FOR 105; 206/351;
D6/526; D28/44, 73; D13/107-108

(56) **References Cited**

U.S. PATENT DOCUMENTS

- 3,172,416 A * 3/1965 Simmons 134/135
- D219,985 S 2/1971 Ray
- 4,054,963 A 10/1977 Taylor
- 5,649,556 A 7/1997 Braun
- 5,966,821 A 10/1999 Armbruster

- D416,536 S * 11/1999 Ross et al. D13/107
- 6,131,230 A * 10/2000 Manabat 15/104.92
- D449,708 S 10/2001 Ullmann
- D455,397 S * 4/2002 Weiner et al. D13/108
- 6,698,437 B2 * 3/2004 Hoser et al. 134/135
- 2005/0045204 A1 * 3/2005 Hoser et al. 134/201

OTHER PUBLICATIONS

U.S. Appl. No. 29/185,577, filed Jun. 30, 2003, Roland Ullmann.

* cited by examiner

Primary Examiner—Robert A. Delehanty

(74) *Attorney, Agent, or Firm*—Fish & Richardson P.C.

(57) **CLAIM**

The ornamental design for a cleaning device for an electric shaver, as shown and described.

DESCRIPTION

FIG. 1 is a perspective front elevational view of cleaning device for an electric shaver from above, showing our design;

FIG. 2 is a left side view of the appliance;

FIG. 3 is a front view thereof;

FIG. 4 is a right side view thereof;

FIG. 5 is a rear view thereof;

FIG. 6 is a top plan view thereof; and,

FIG. 7 is a bottom plan view thereof.

1 Claim, 6 Drawing Sheets

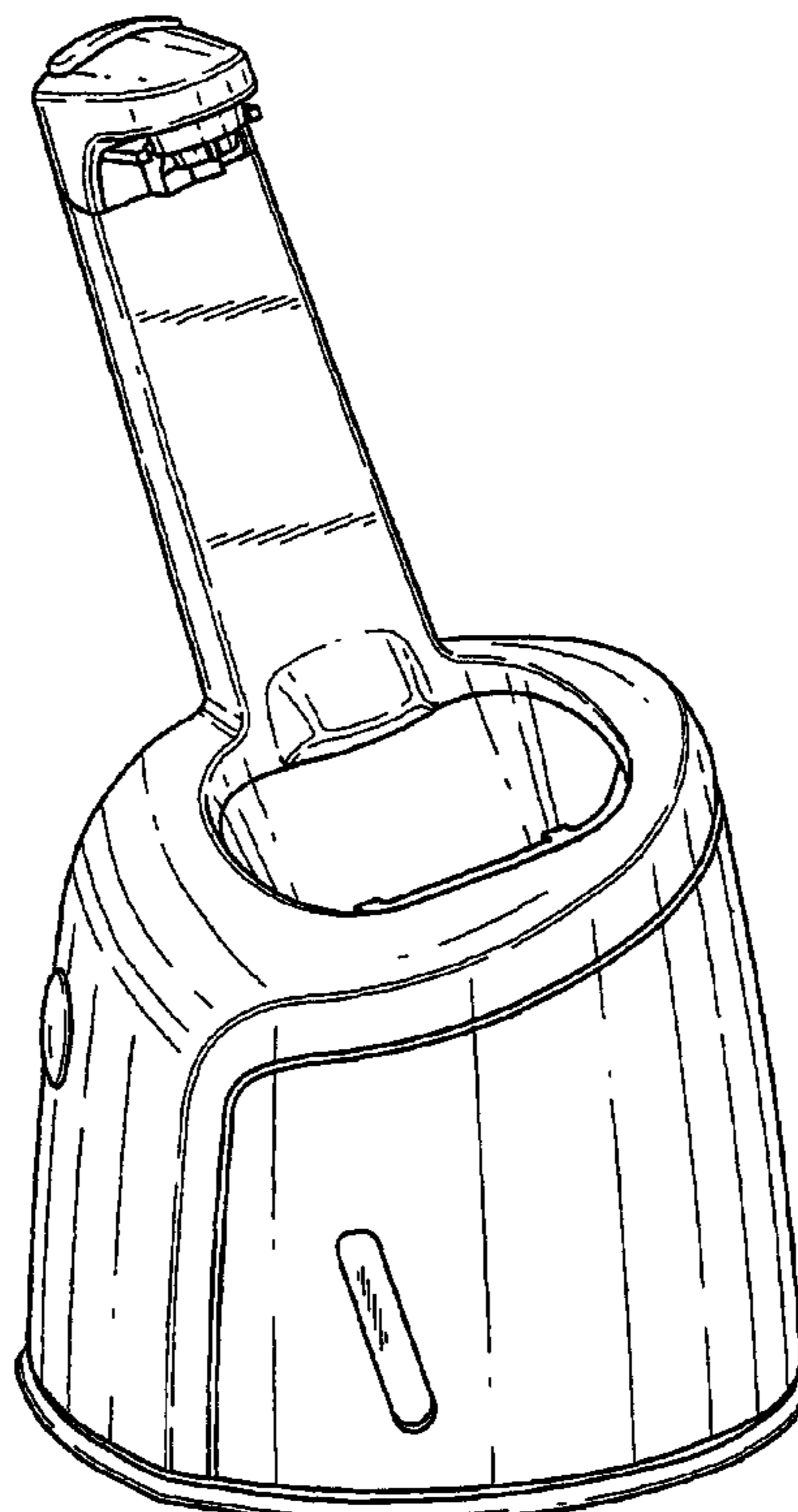


Fig. 1

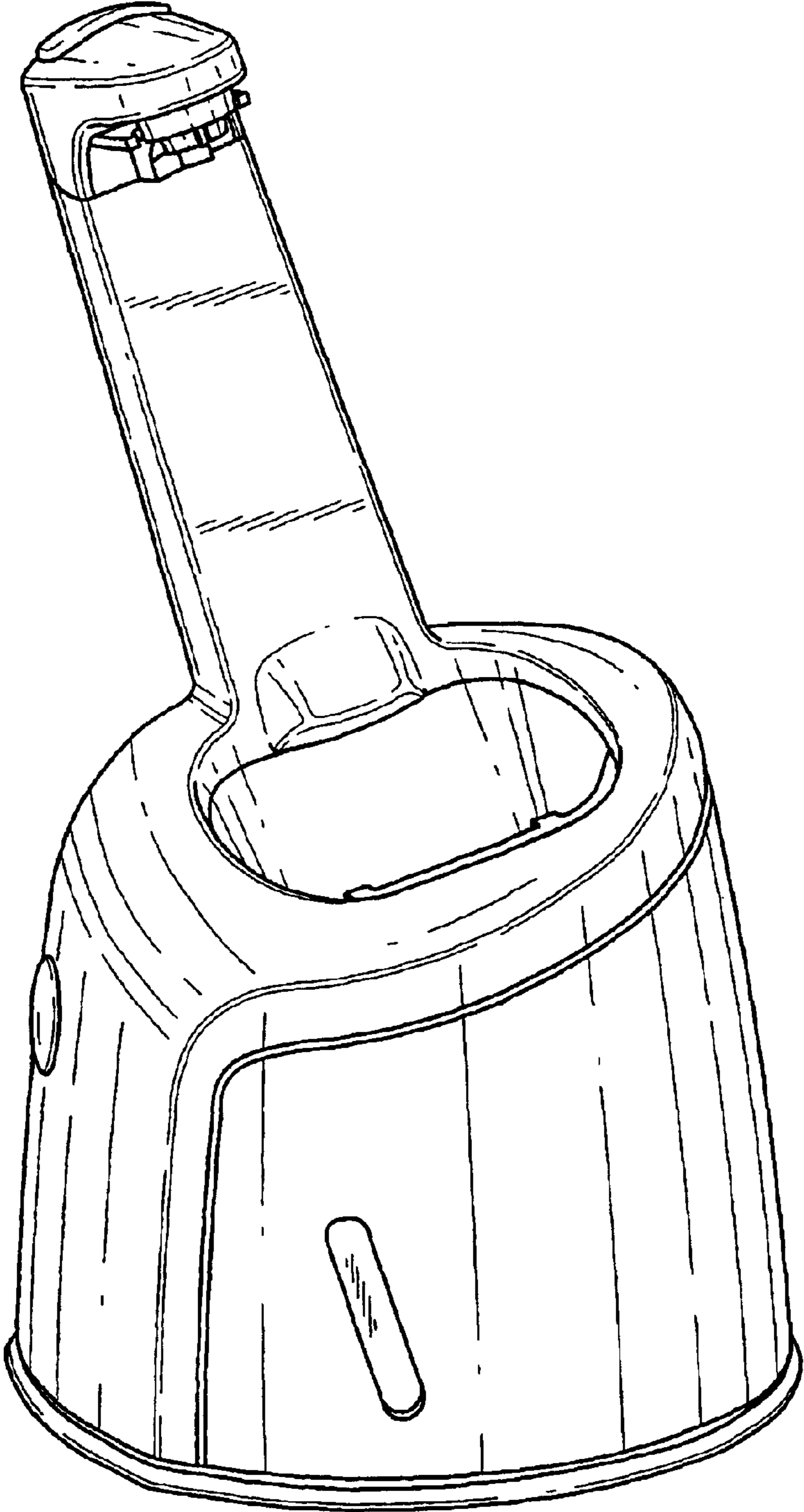


Fig. 2

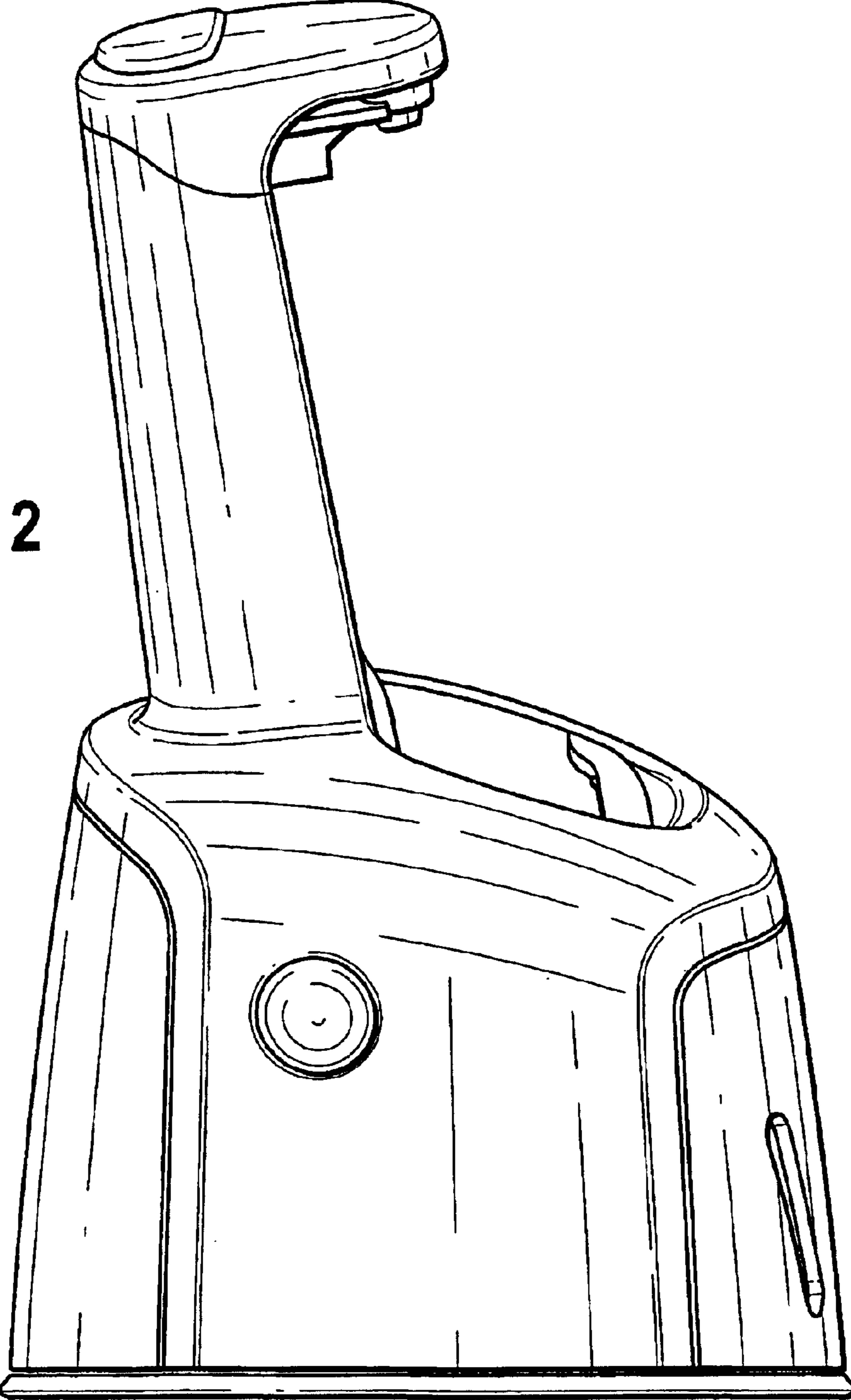


Fig. 3

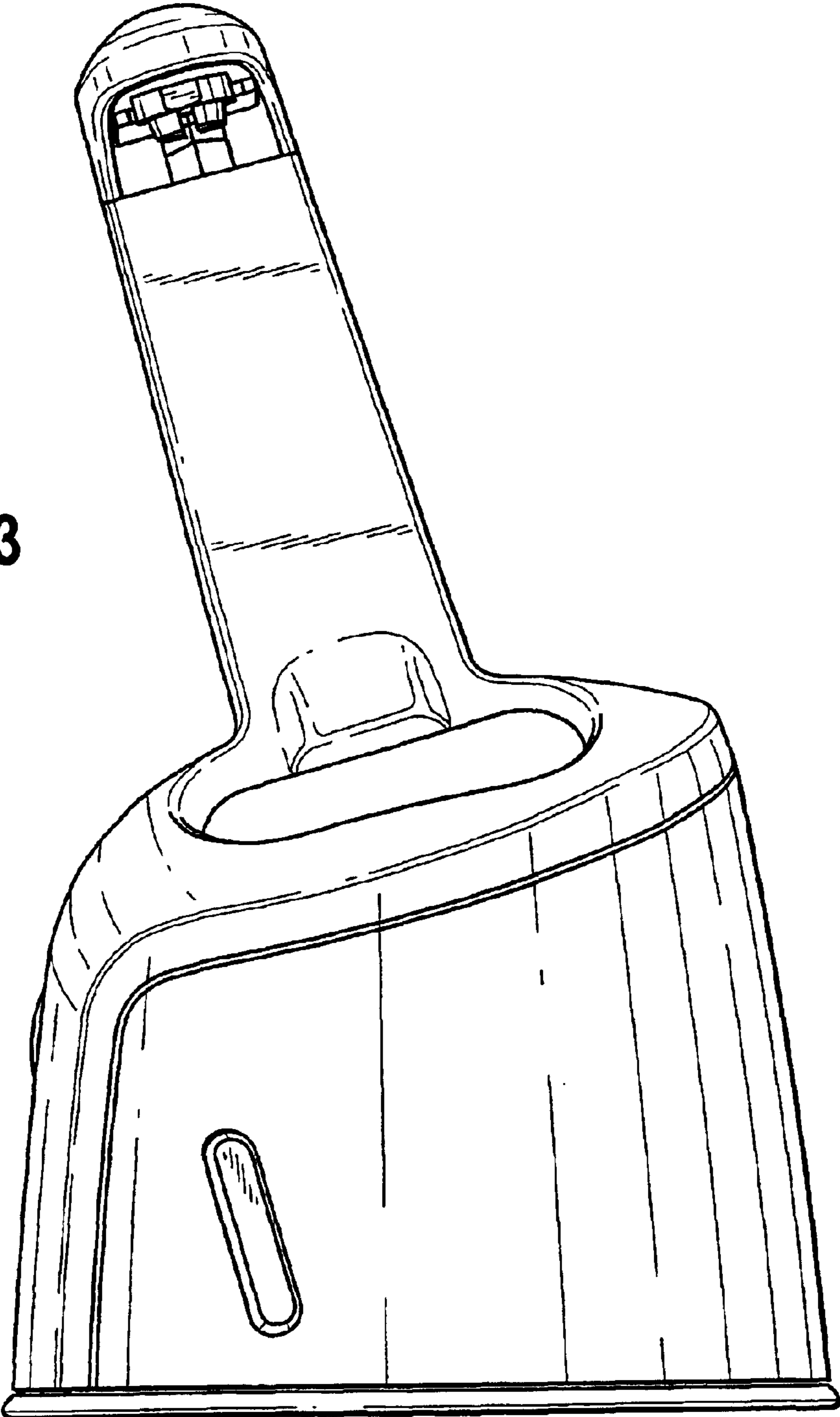


Fig. 4

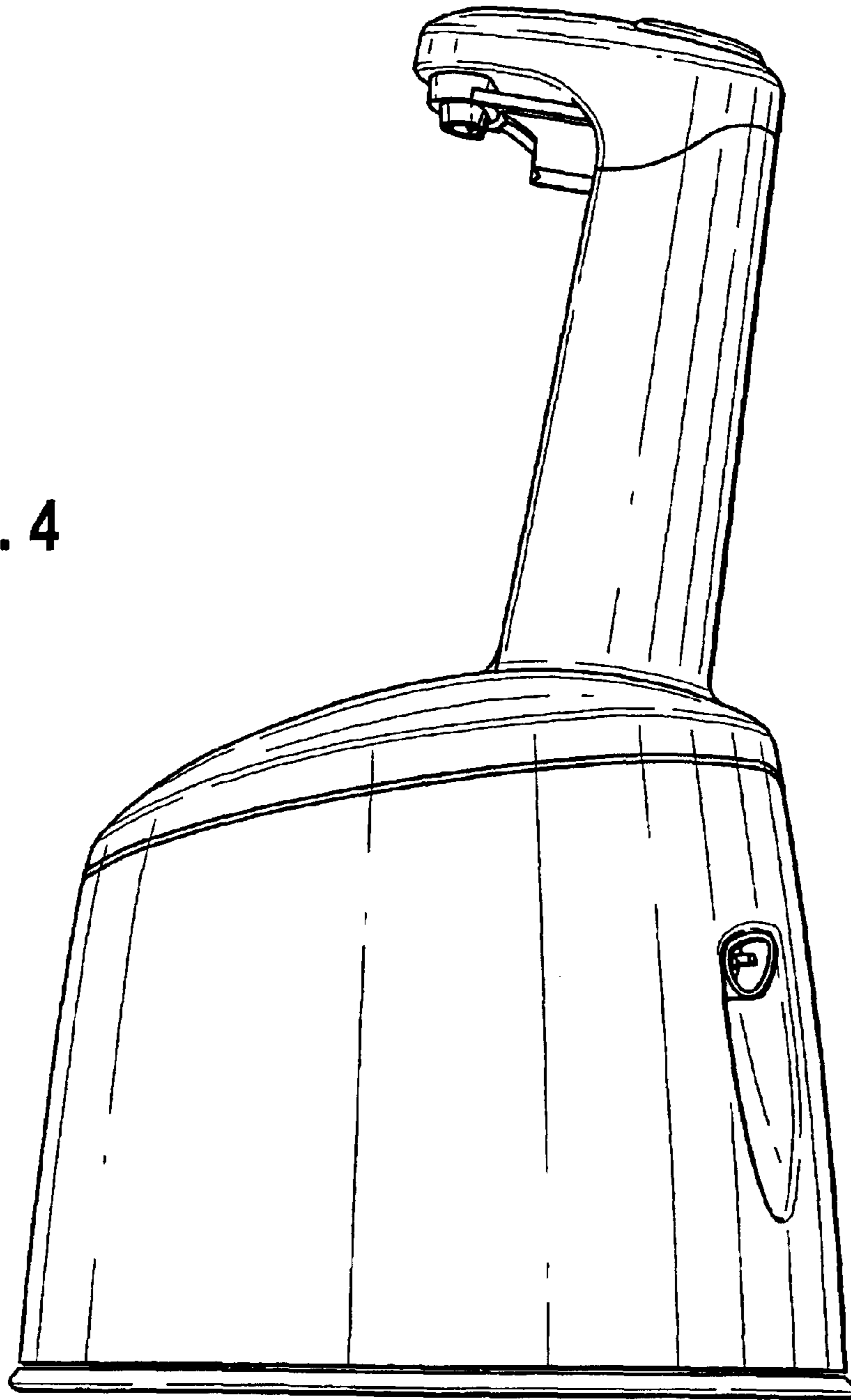


Fig. 5

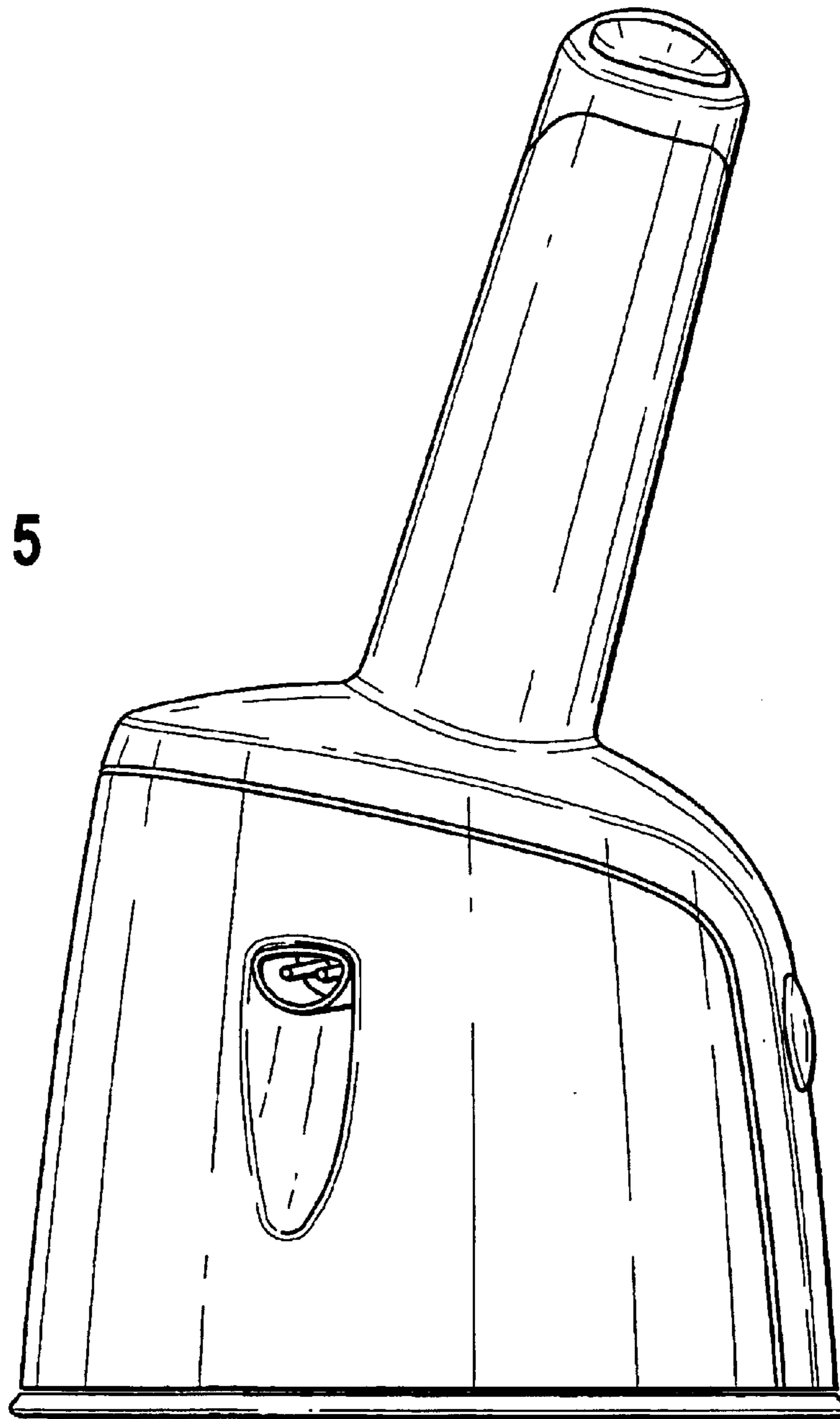


Fig. 6

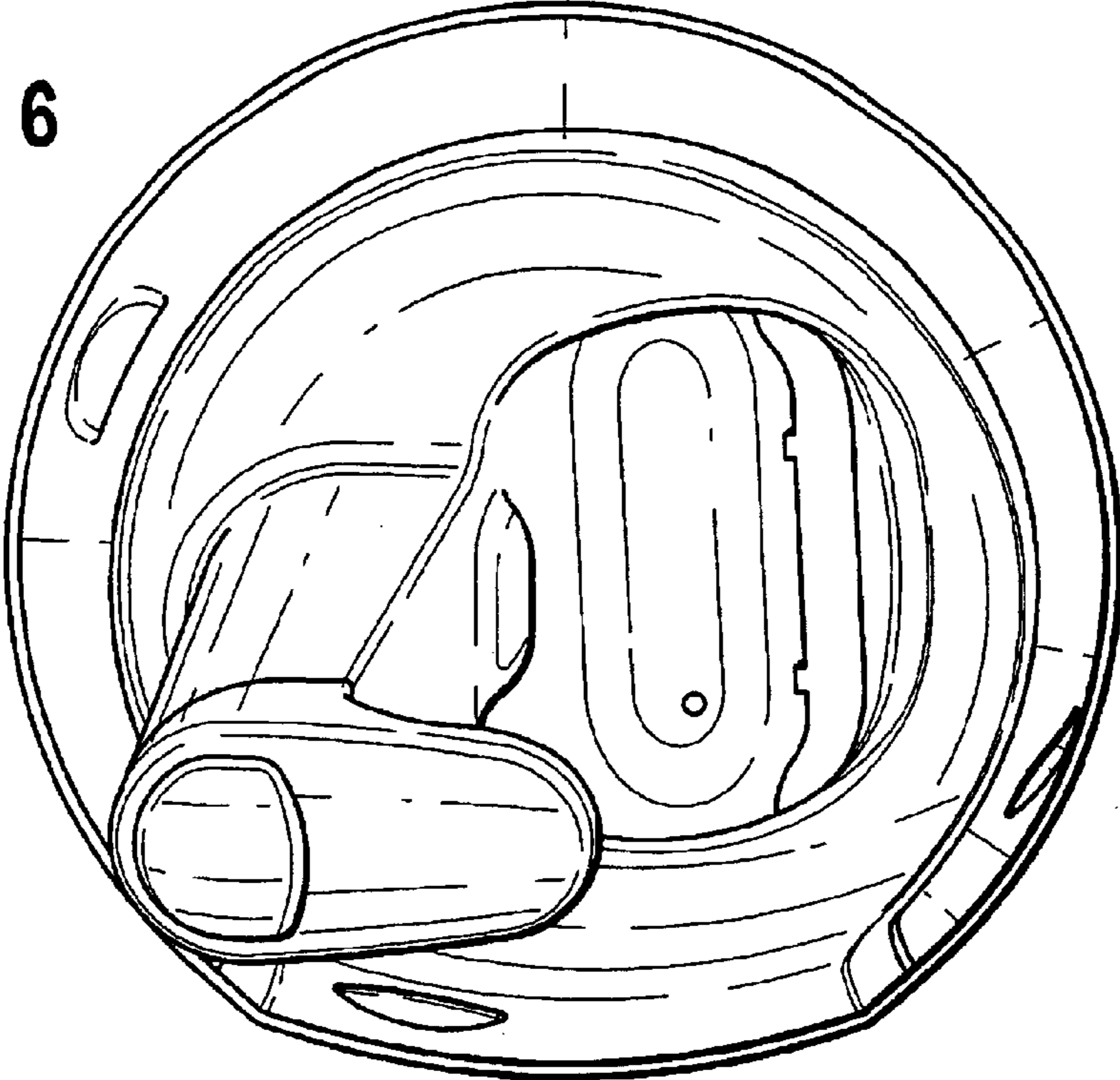


Fig. 7

