

US00D512529S

(12) **United States Design Patent** (10) **Patent No.:** **US D512,529 S**
De'Armond (45) **Date of Patent:** **** Dec. 6, 2005**

(54) **LAMP HOUSING**

(75) Inventor: **Robert De'Armond**, Temecula, CA (US)

(73) Assignee: **Minka Lighting, Inc.**, Corona, CA (US)

(**) Term: **14 Years**

(21) Appl. No.: **29/218,432**

(22) Filed: **Dec. 2, 2004**

(51) **LOC (8) Cl.** **26-99**

(52) **U.S. Cl.** **D26/128; D26/118; D26/72**

(58) **Field of Search** D26/24, 67, 71, D26/72, 85-92, 142, 145, 149, 152, 154, 155, 118, 128-137; 362/147, 404-408, 432, 455, 457

(56) **References Cited**

U.S. PATENT DOCUMENTS

D67,929 S	*	8/1925	Lipschutz	D26/24
D86,316 S	*	2/1932	Klein	D26/88
D429,359 S	*	8/2000	Chen	D26/85
D460,210 S	*	7/2002	Lee	D26/155
D465,875 S	*	11/2002	De'Armond	D26/129

OTHER PUBLICATIONS

Kichler Lighting Catalog No. 104, ©2004; item 9359—"Londonderry" p. 304.*

U.S. Appl. No. 29/218,484, filed Dec. 2, 2004, Robert De'Armond.

U.S. Appl. No. 29/218,485, filed Dec. 2, 2004, Robert De'Armond.

U.S. Appl. No. 29/218,486, filed Dec. 2, 2004, Robert De'Armond.

U.S. Appl. No. 29/218,488, filed Dec. 2, 2004, Robert De'Armond.

The Great Outdoors 2004 Catalog by Minka-Lavery; Minka Lighting, Inc. U.S.A.; Jan. 2004; Buckingham Model; pp. 2-3.

* cited by examiner

Primary Examiner—Clare E Heflin

(74) *Attorney, Agent, or Firm*—Baker & Mackenzie LLP

(57) **CLAIM**

The ornamental design for a lamp housing, as shown and described.

DESCRIPTION

FIG. 1 is a perspective view from above of a lamp housing in accordance with my design;

FIG. 2 is a perspective view from below of the lamp housing in accordance with my design;

FIG. 3 is a side elevation view of the lamp housing in accordance with my design;

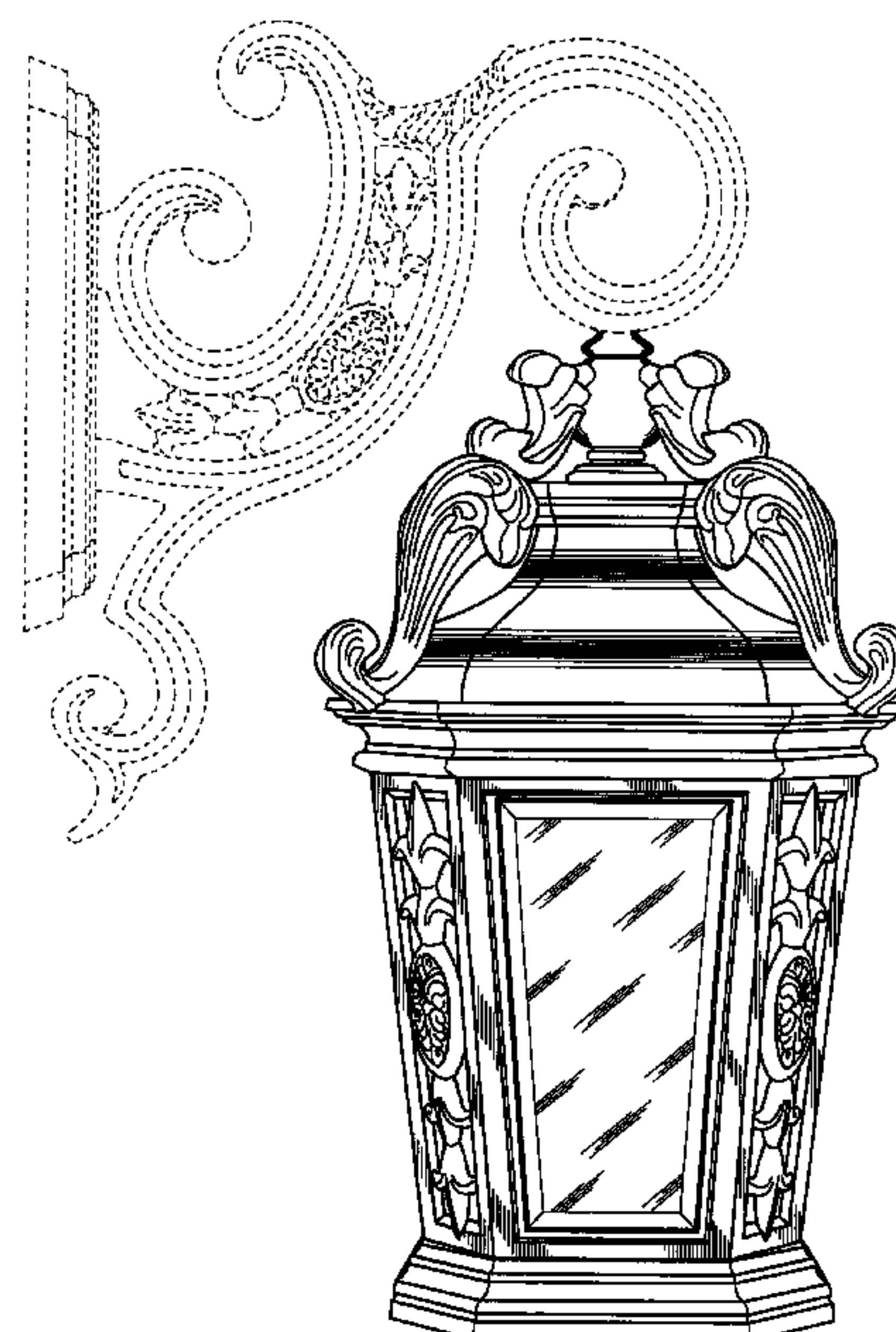
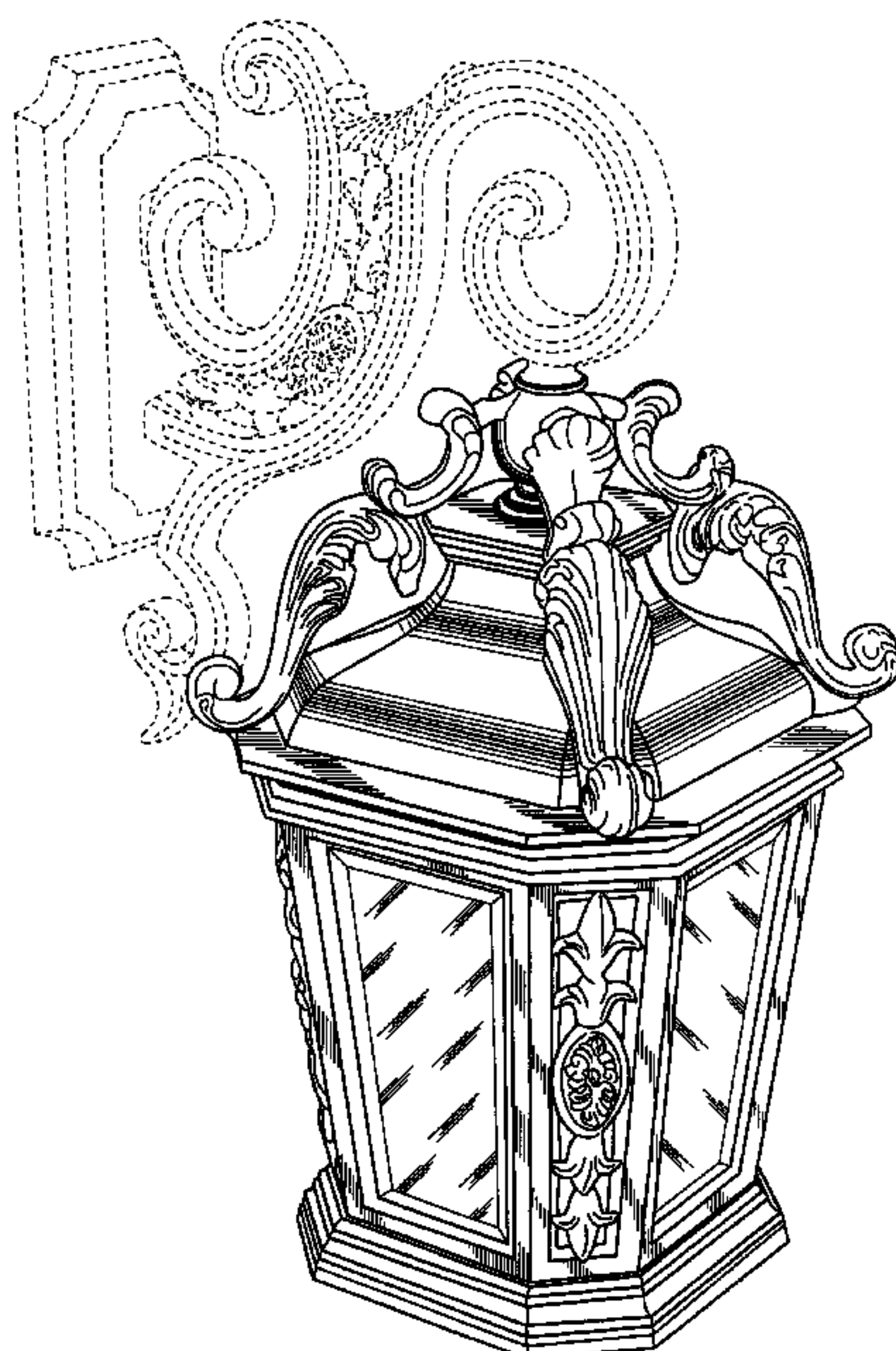
FIG. 4 is a front elevation view of the lamp housing in accordance with my design;

FIG. 5 is a top plan view of the lamp housing in accordance with my design; and,

FIG. 6 is a bottom plan view of the lamp housing in accordance with my design.

The broken lines showing environmental structure are for illustrative purposes and form no part of the claimed design.

1 Claim, 6 Drawing Sheets



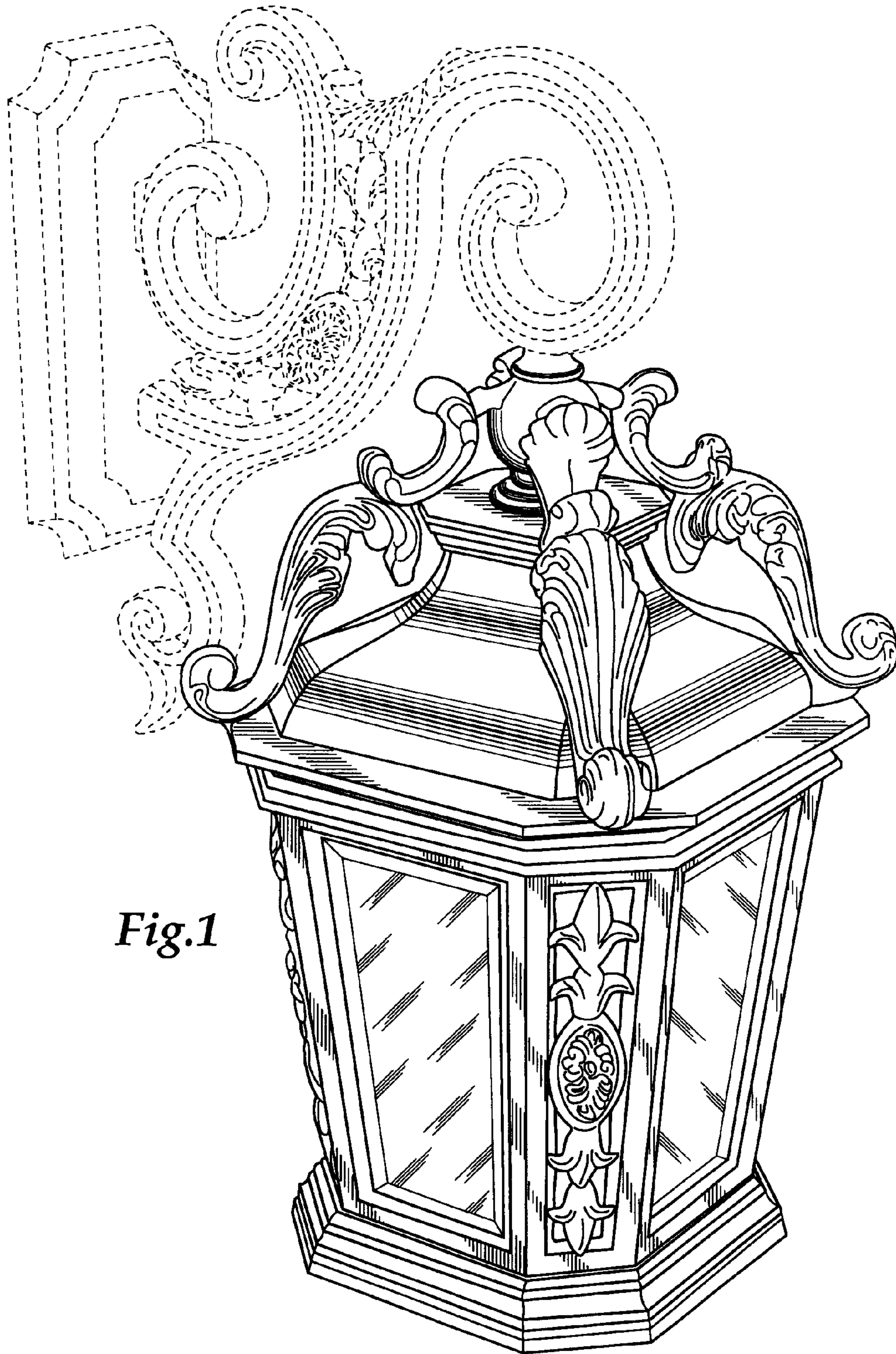


Fig.1

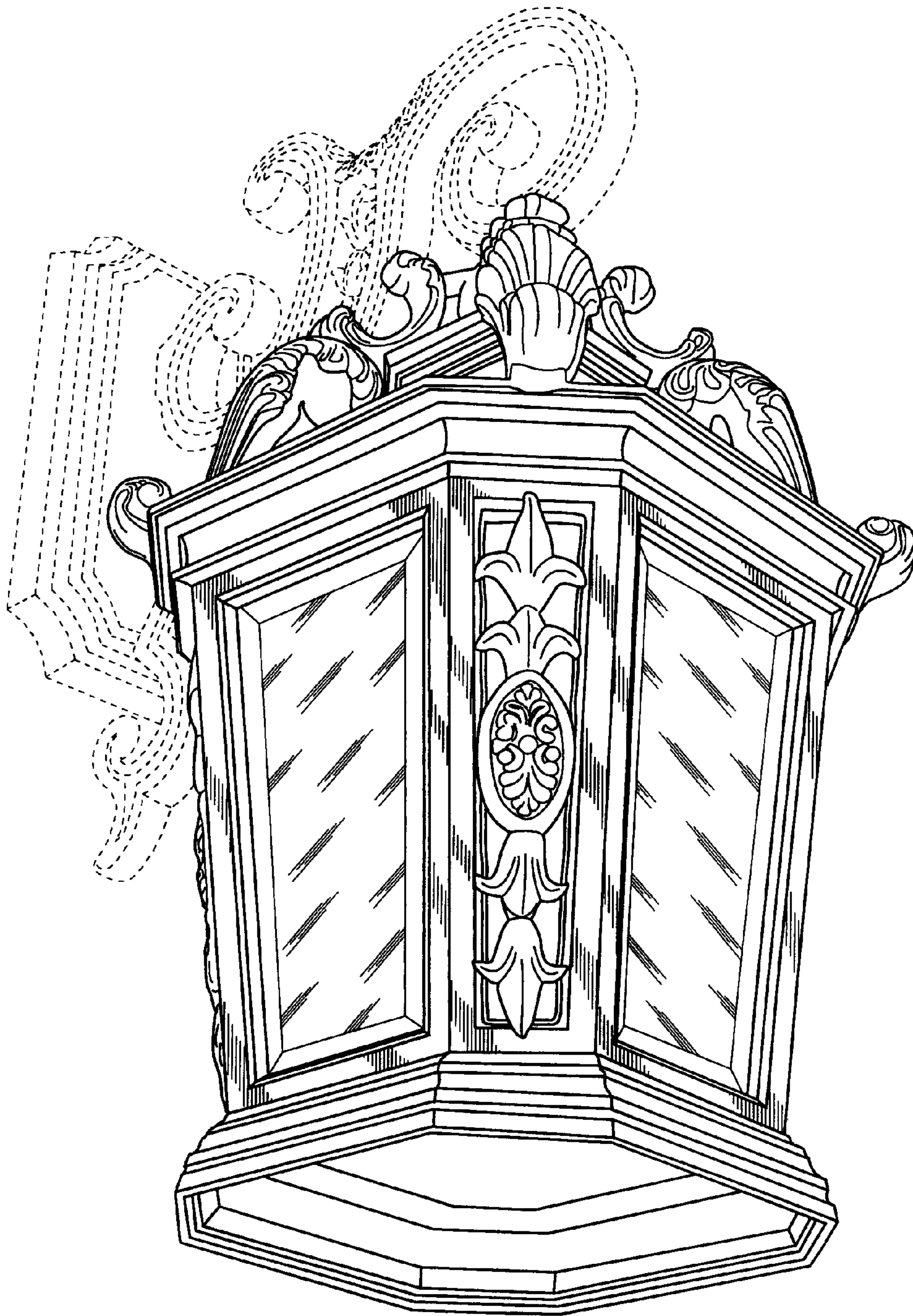


Fig.2

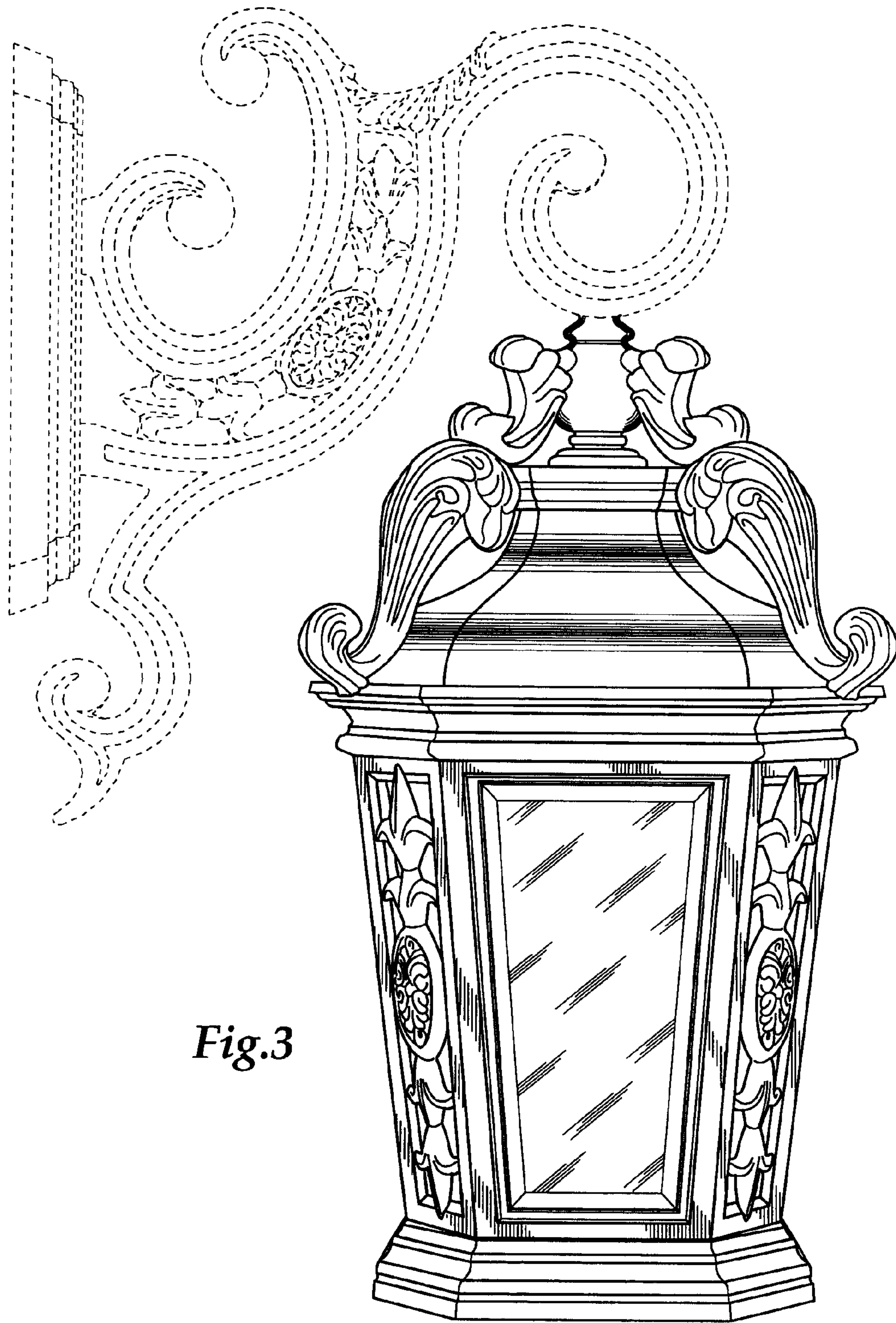


Fig.3

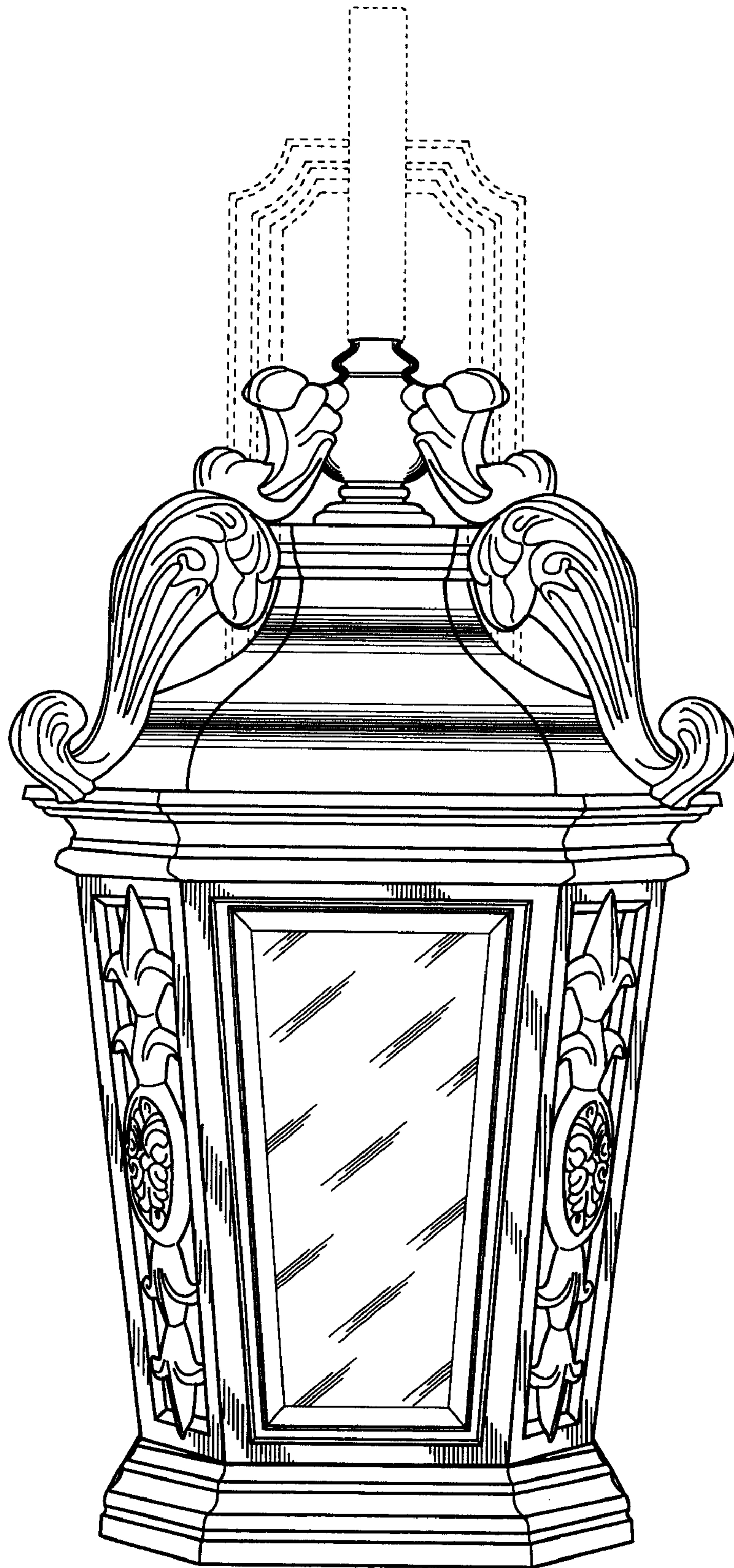


Fig.4

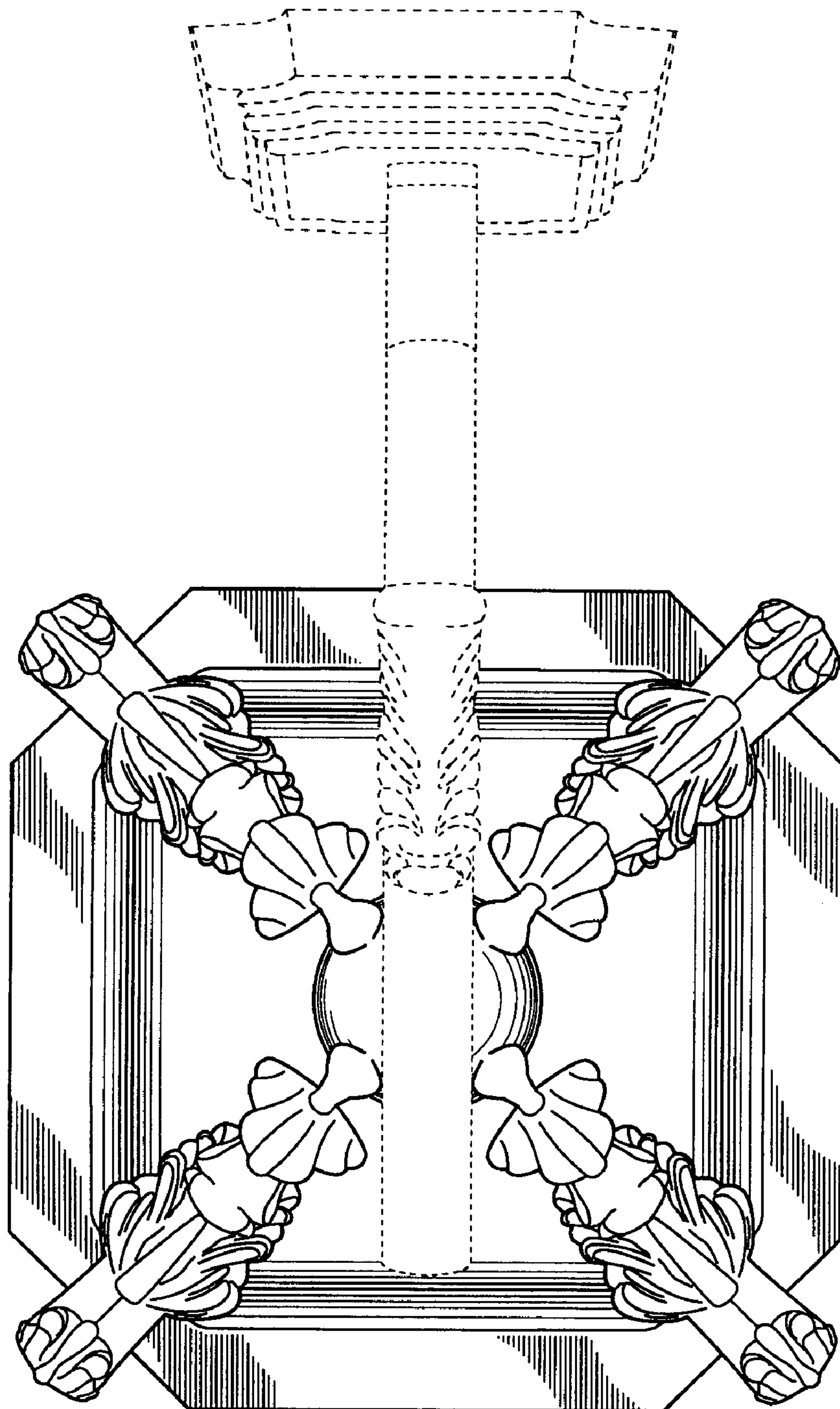


Fig.5

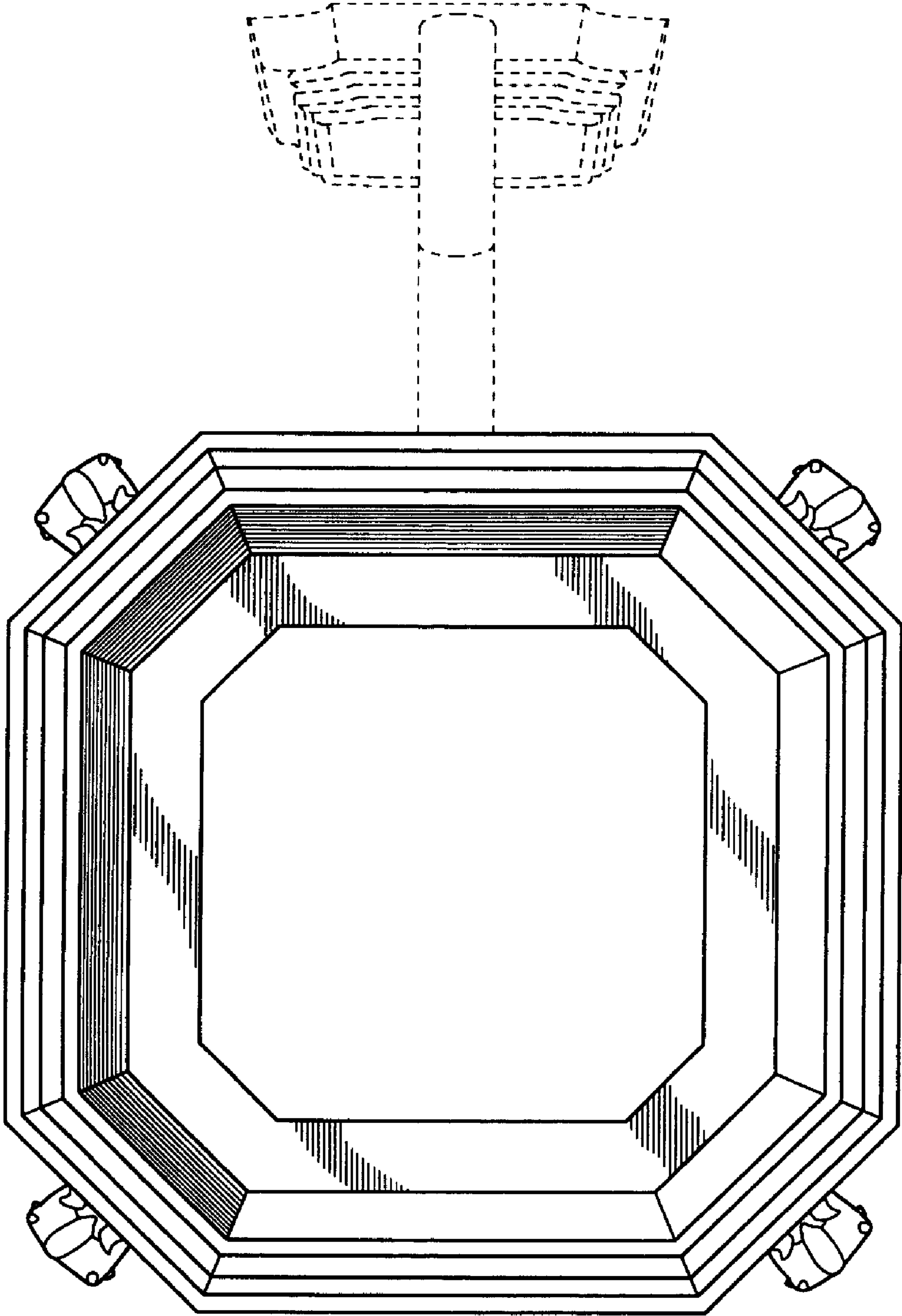


Fig.6