



US00D512522S

(12) **United States Design Patent**
Stein et al.

(10) **Patent No.:** **US D512,522 S**
(45) **Date of Patent:** **** Dec. 6, 2005**

- (54) **GRAND VIEW FENCE SECTION**
- (75) Inventors: **Robert Stein**, Aurora, IL (US);
Torrence Anderson, Overland Park, KS (US); **Robert Kopp**, Wheaton, IL (US)
- (73) Assignee: **Suncast Corporation**, Batavia, IL (US)
- (**) Term: **14 Years**
- (21) Appl. No.: **29/215,538**
- (22) Filed: **Oct. 20, 2004**
- (51) **LOC (8) Cl.** **25-01**
- (52) **U.S. Cl.** **D25/164**
- (58) **Field of Search** D25/164; 47/33,
47/32.4

(56) **References Cited**
U.S. PATENT DOCUMENTS

- 3,701,477 A * 10/1972 Matt et al 239/276
- 4,281,473 A * 8/1981 Emalfarb et al. 47/33

D448,498 S * 9/2001 Hulett D25/164

* cited by examiner

Primary Examiner—Doris Clark
(74) *Attorney, Agent, or Firm*—McHale & Slavin, P.A.

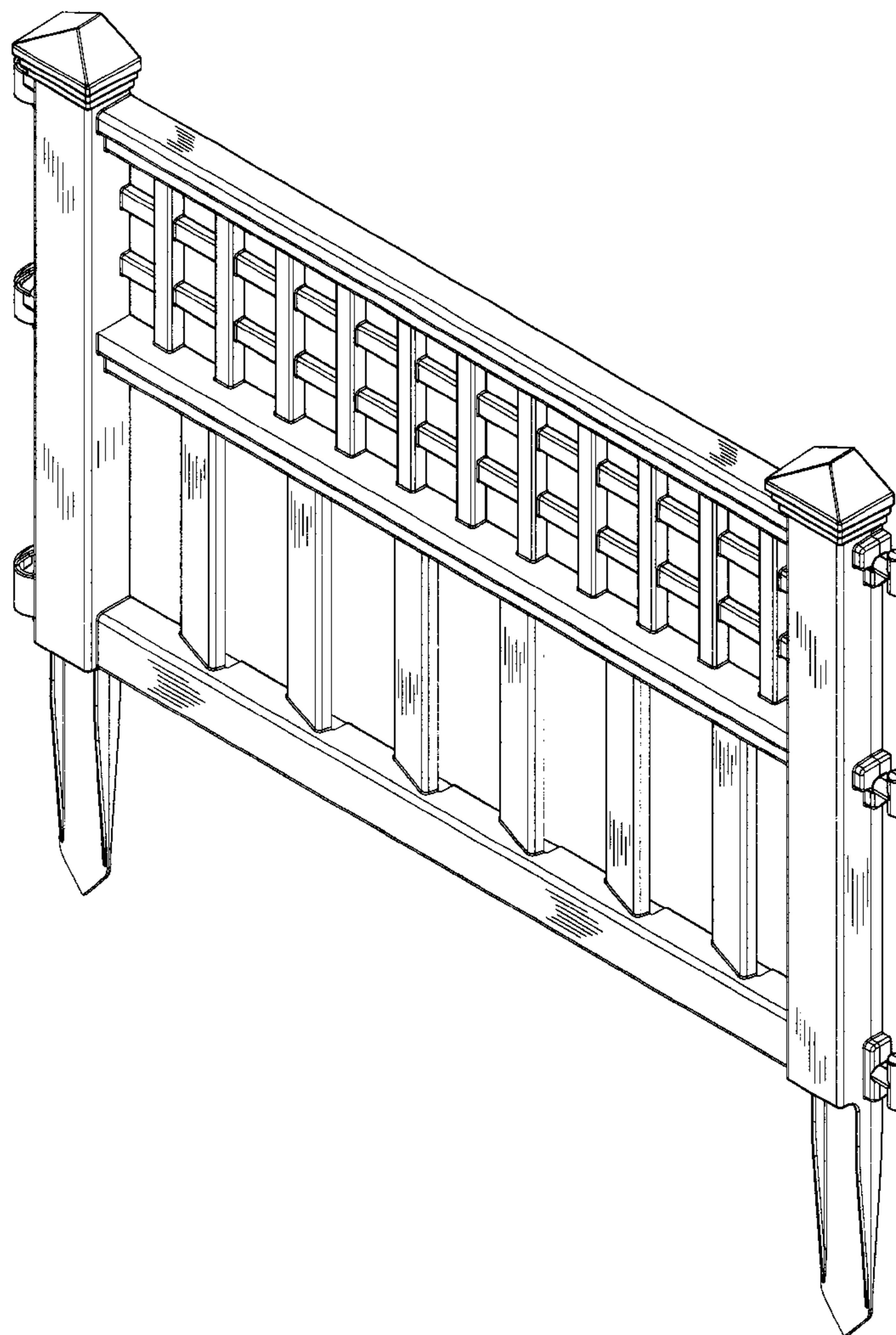
(57) **CLAIM**

The ornamental design for a grand view fence section, as shown and described.

DESCRIPTION

FIG. 1 is a front perspective view of the grand view fence section of the instant invention;
FIG. 2 is a rear perspective view of the grand view fence section of the instant invention;
FIG. 3 is a front elevational view thereof;
FIG. 4 is a left elevational view thereof;
FIG. 5 is a right plan view thereof;
FIG. 6 is a top plan view thereof; and,
FIG. 7 is a bottom plan view thereof.

1 Claim, 5 Drawing Sheets



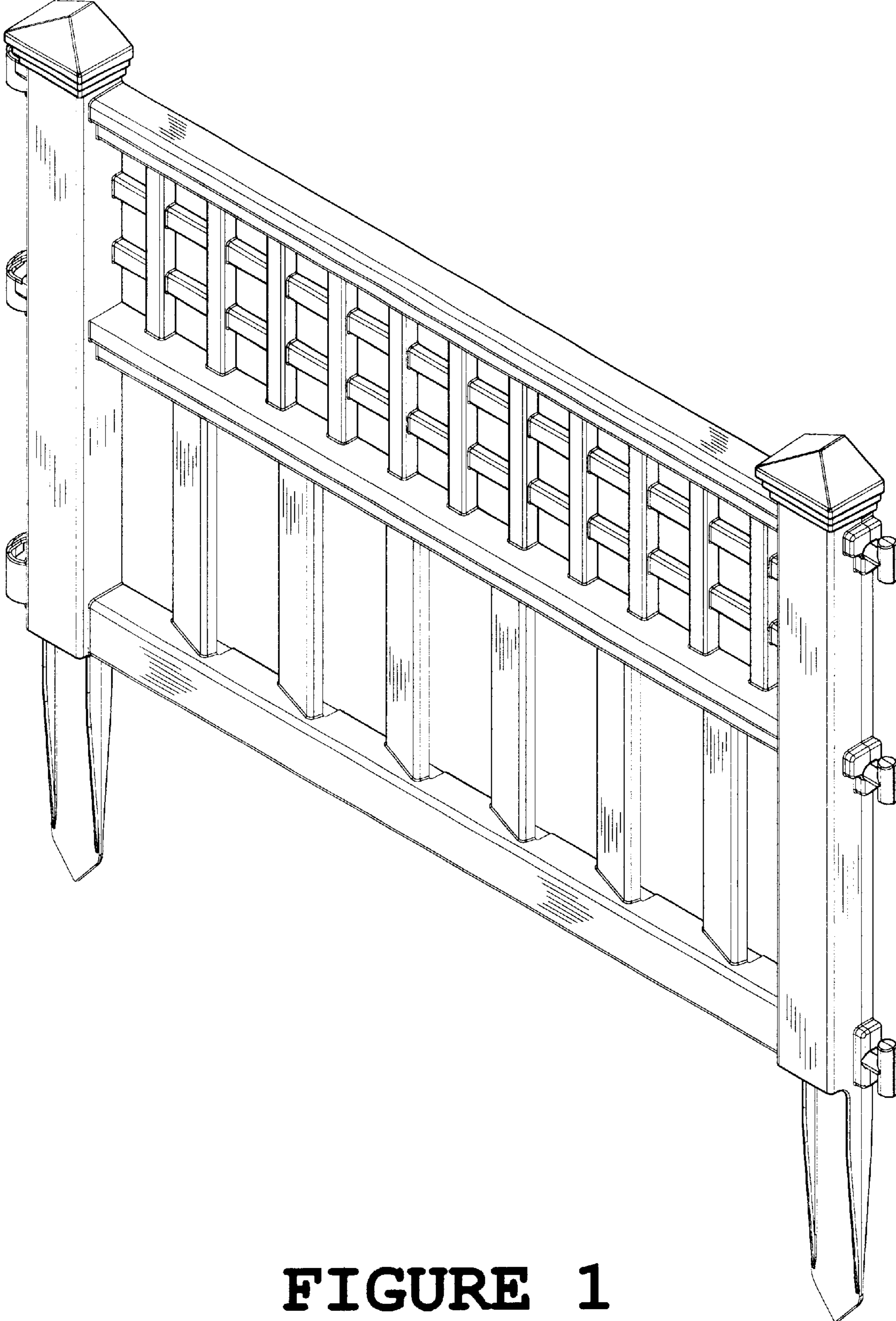


FIGURE 1

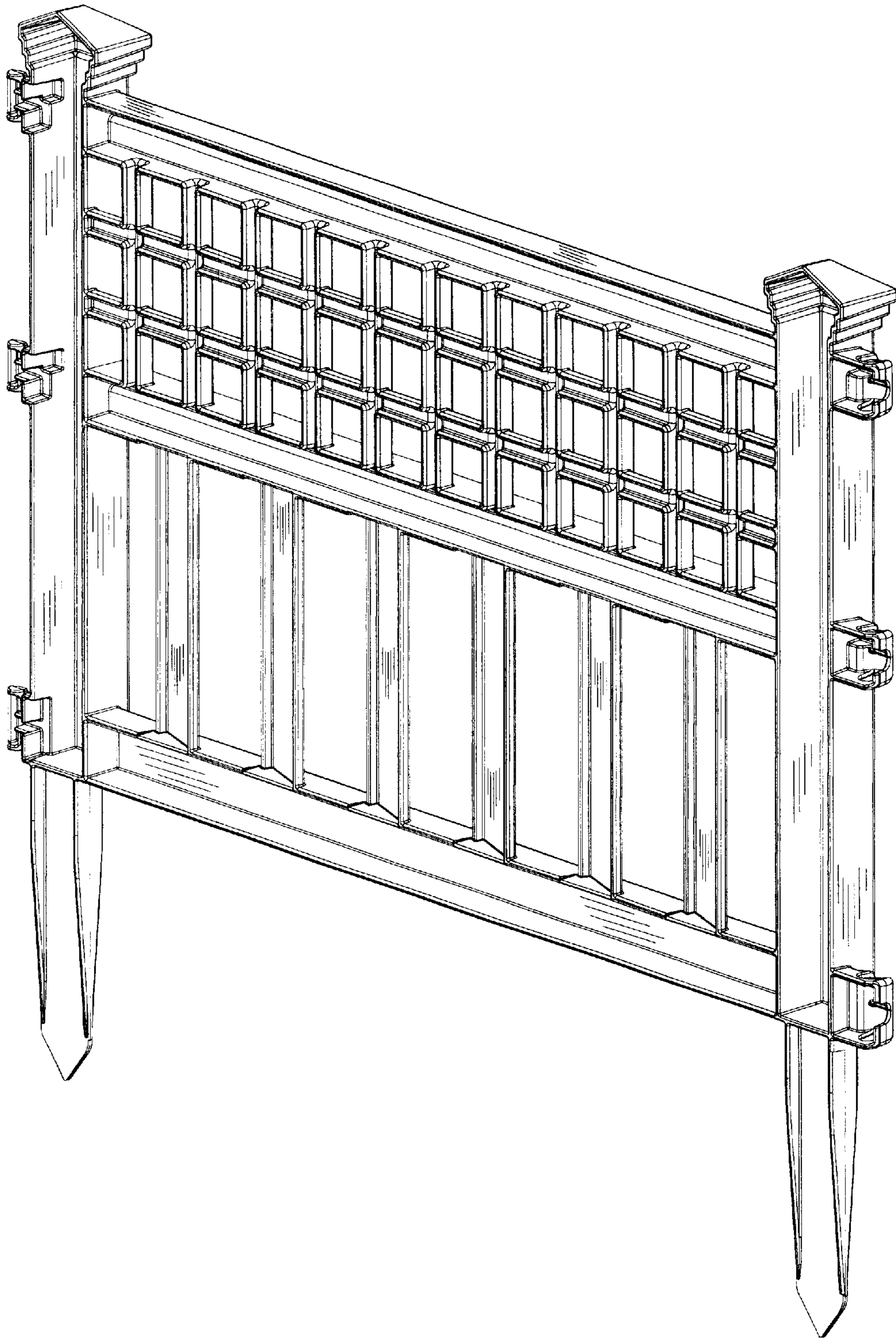


FIGURE 2

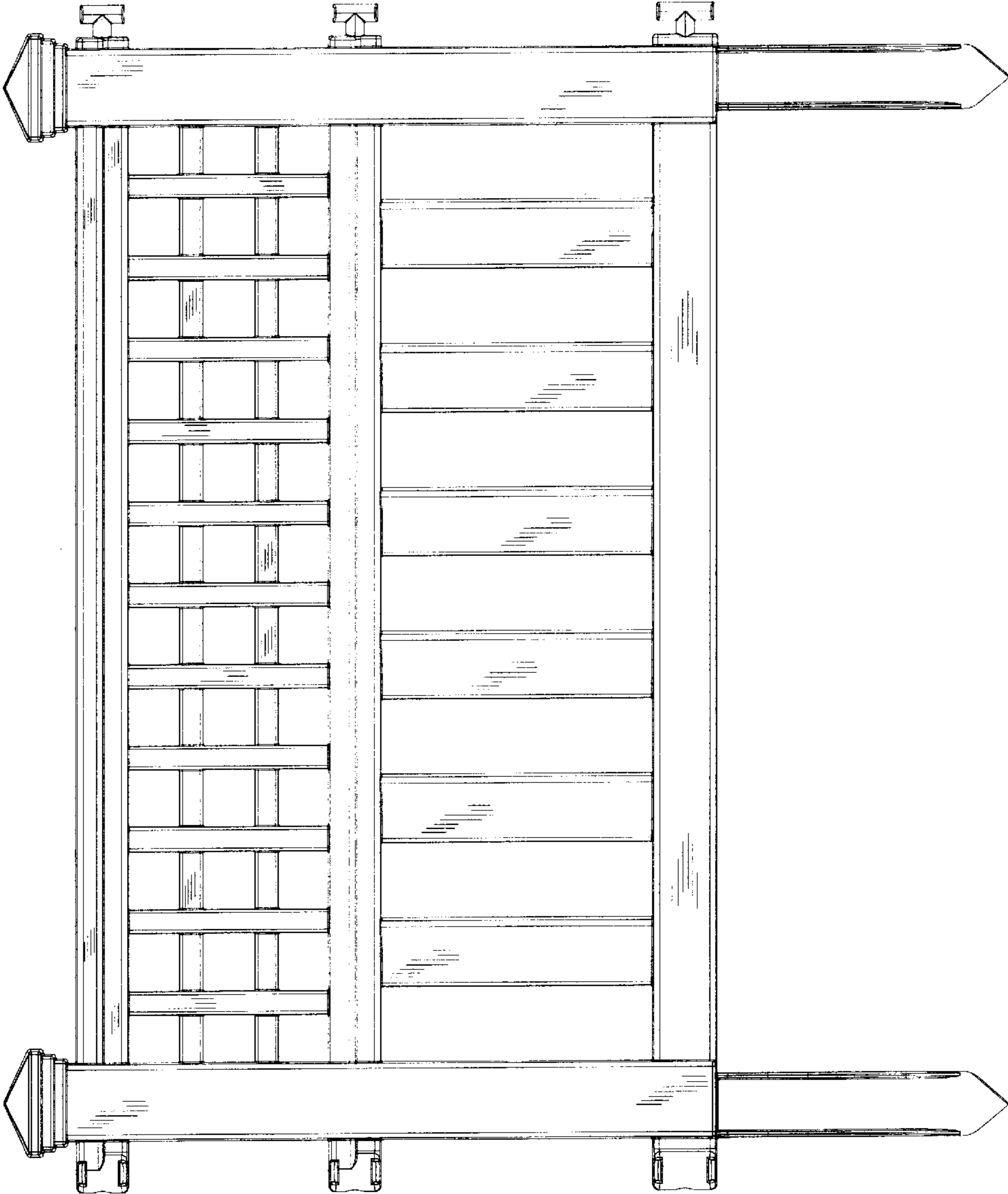


FIGURE 3

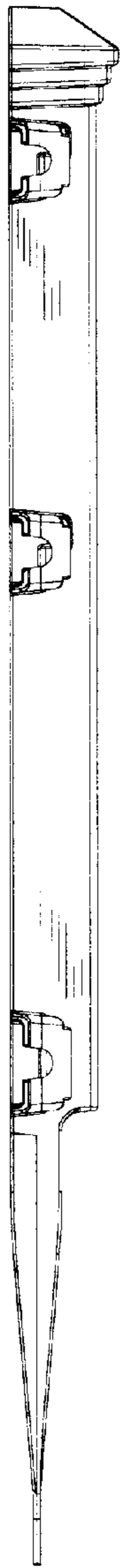


FIGURE 4

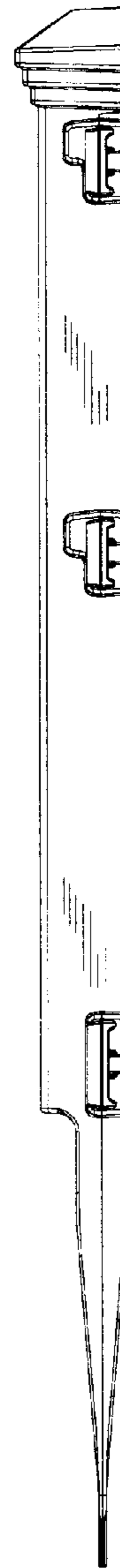


FIGURE 5

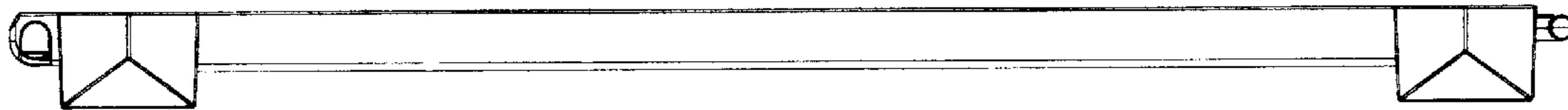


FIGURE 6

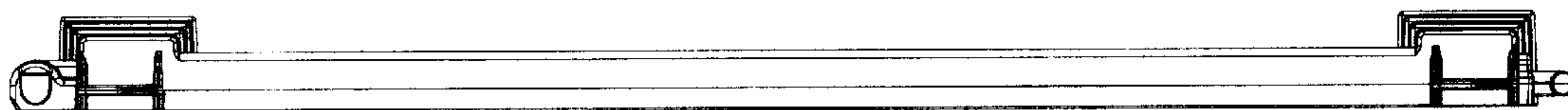


FIGURE 7