



US00D512518S

(12) **United States Design Patent**
St-Hilaire

(10) **Patent No.:** **US D512,518 S**

(45) **Date of Patent:** **** Dec. 6, 2005**

(54) **POOL STEPS**

(76) **Inventor:** **Normand St-Hilaire**, 1125, 431eme Avenue, St-Hippolyte, Quebec (CA), J8A 3P5

(**) **Term:** **14 Years**

(21) **Appl. No.:** **29/211,878**

(22) **Filed:** **Aug. 20, 2004**

(51) **LOC (8) Cl.** **25-03**

(52) **U.S. Cl.** **D25/63; D25/2**

(58) **Field of Search** **D25/63, 2; 4/488, 4/506**

(56) **References Cited**

U.S. PATENT DOCUMENTS

3,755,981 A *	9/1973	West	52/184
D372,985 S *	8/1996	Bourgault	D25/2
D449,117 S *	10/2001	Wilson	D25/63

* cited by examiner

Primary Examiner—Doris Clark

(74) *Attorney, Agent, or Firm*—Eric Fincham

(57) **CLAIM**

An ornamental design for a pool steps, as shown and described.

DESCRIPTION

FIG. 1 is a perspective view of the pool steps of the instant design;

FIG. 2 is a top plan view thereof;

FIG. 3 is a side elevational view thereof, as seen from the top of FIG. 2;

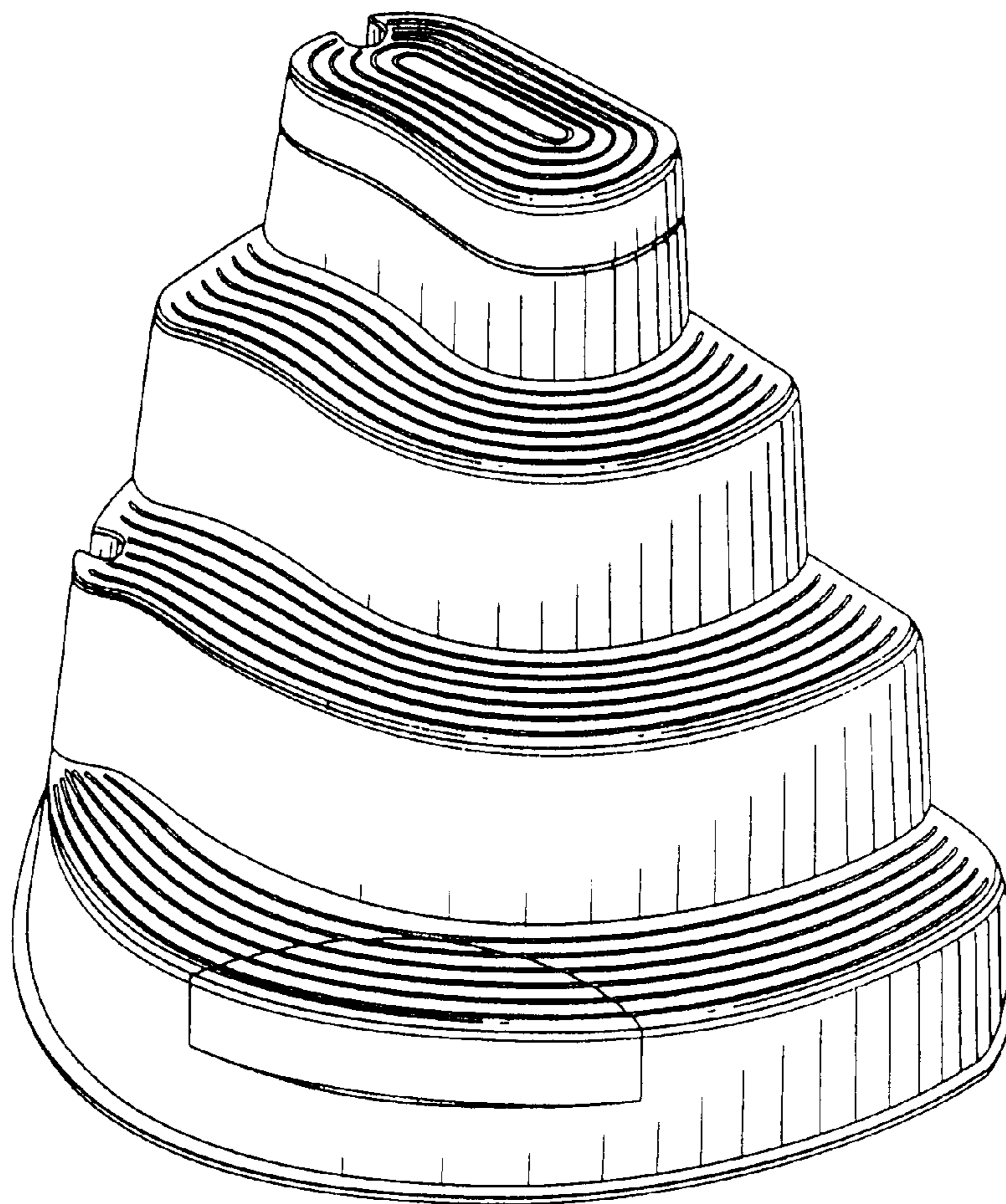
FIG. 4 is a front elevational view thereof as seen from the bottom of FIG. 2;

FIG. 5 is a bottom plan view of FIG. 2;

FIG. 6 is a rear elevational view thereof as seen from the left of FIG. 2; and,

FIG. 7 is the opposite side of FIG. 3.

1 Claim, 3 Drawing Sheets



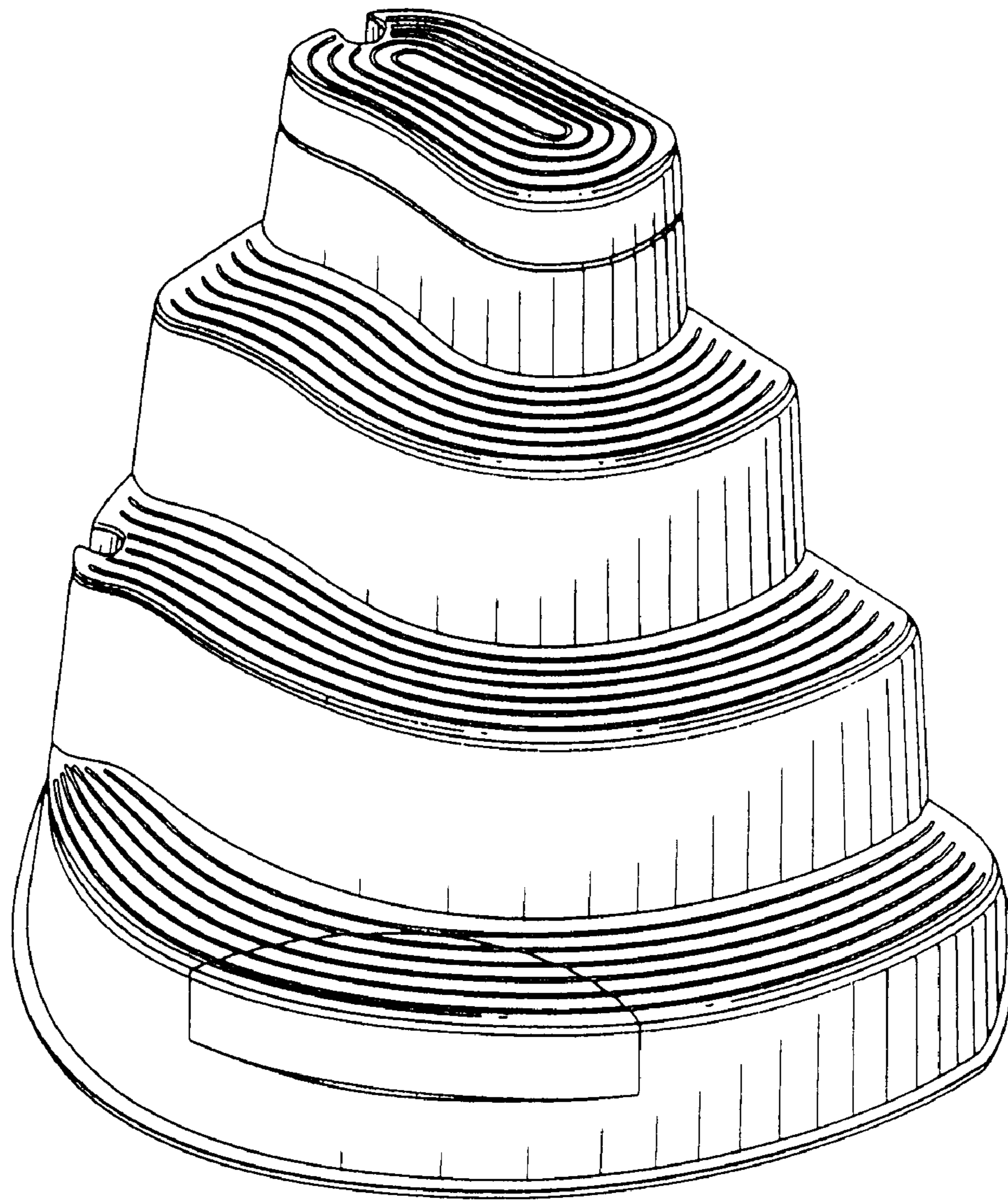


Fig-1

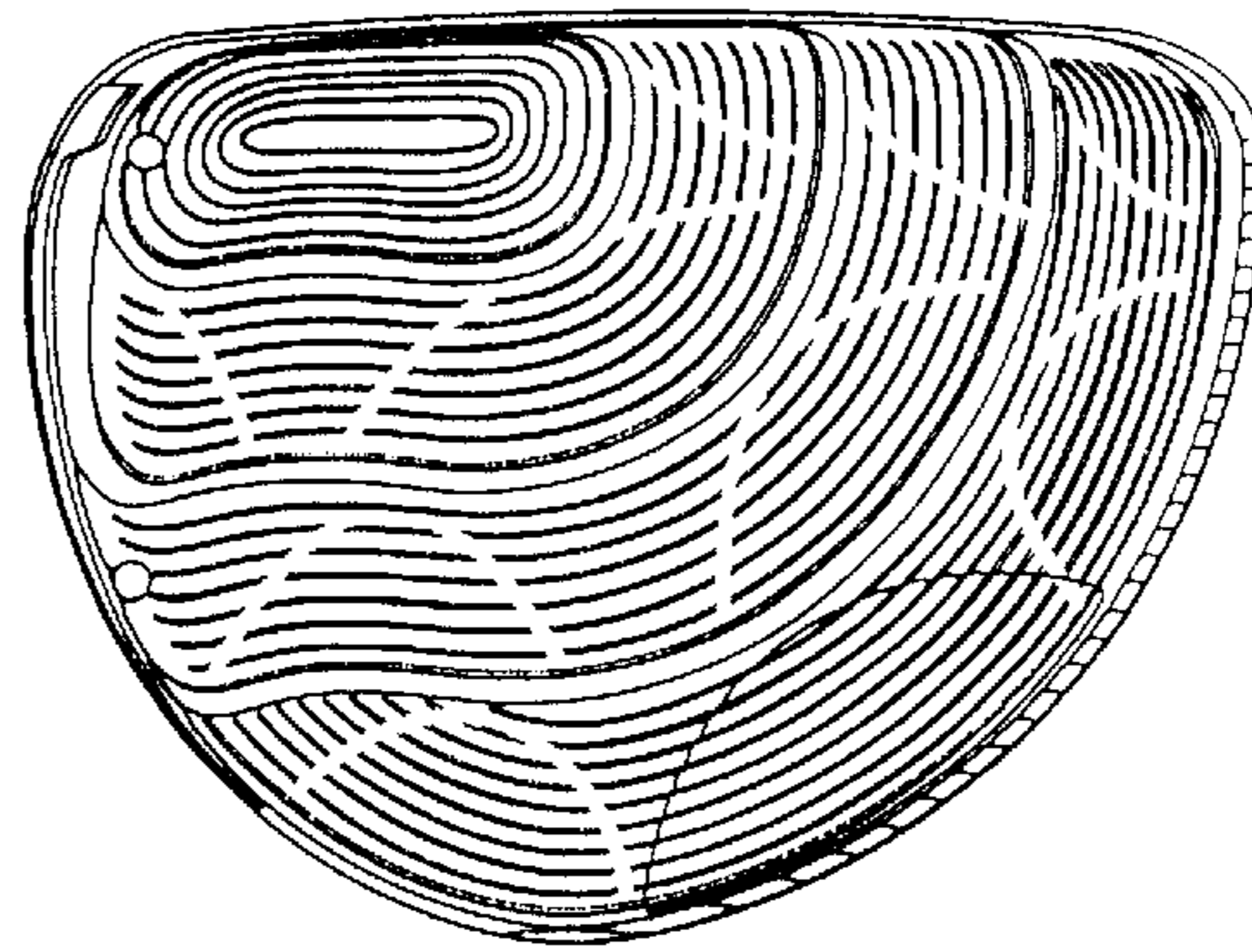


Fig-2

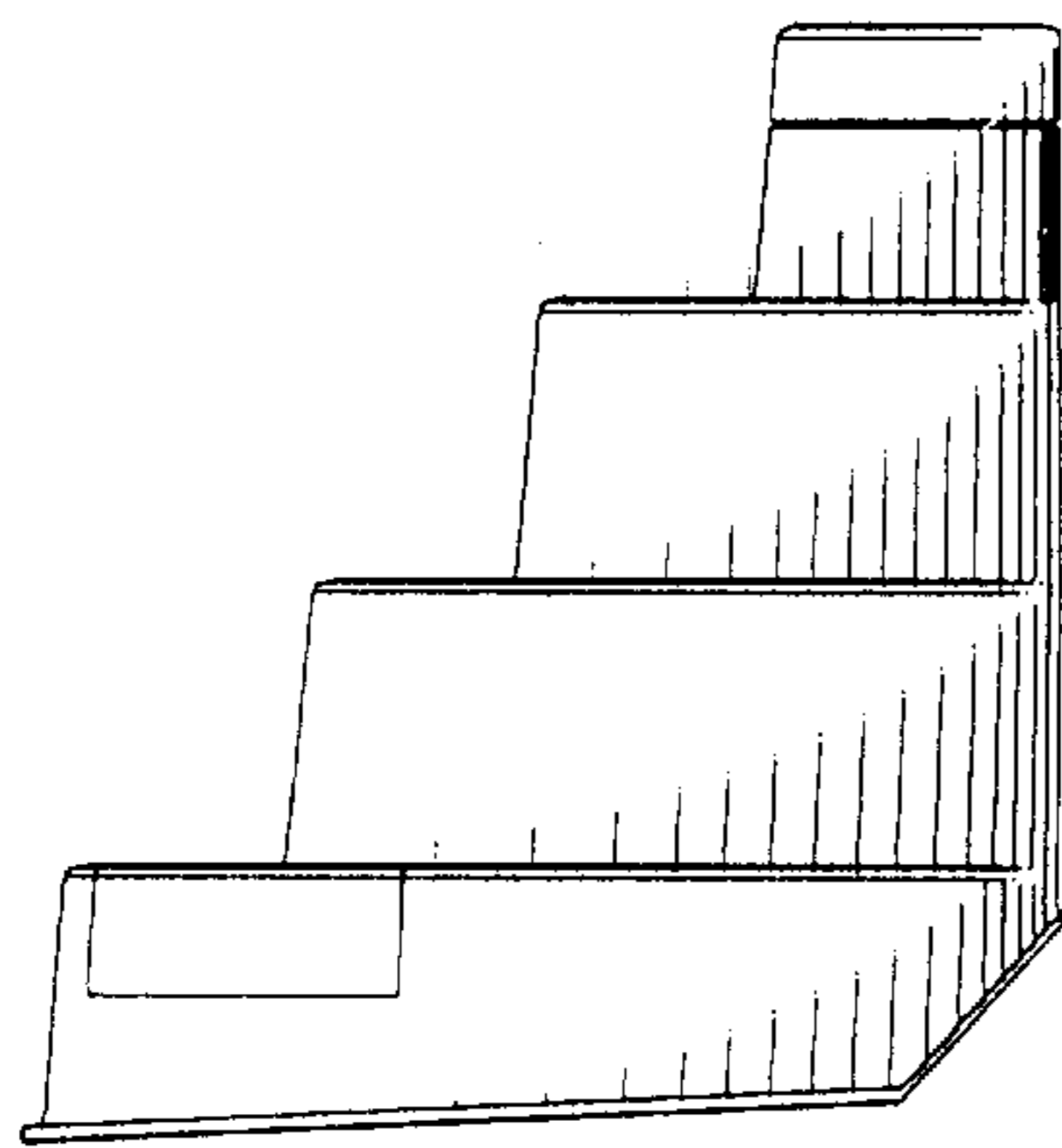


Fig-3

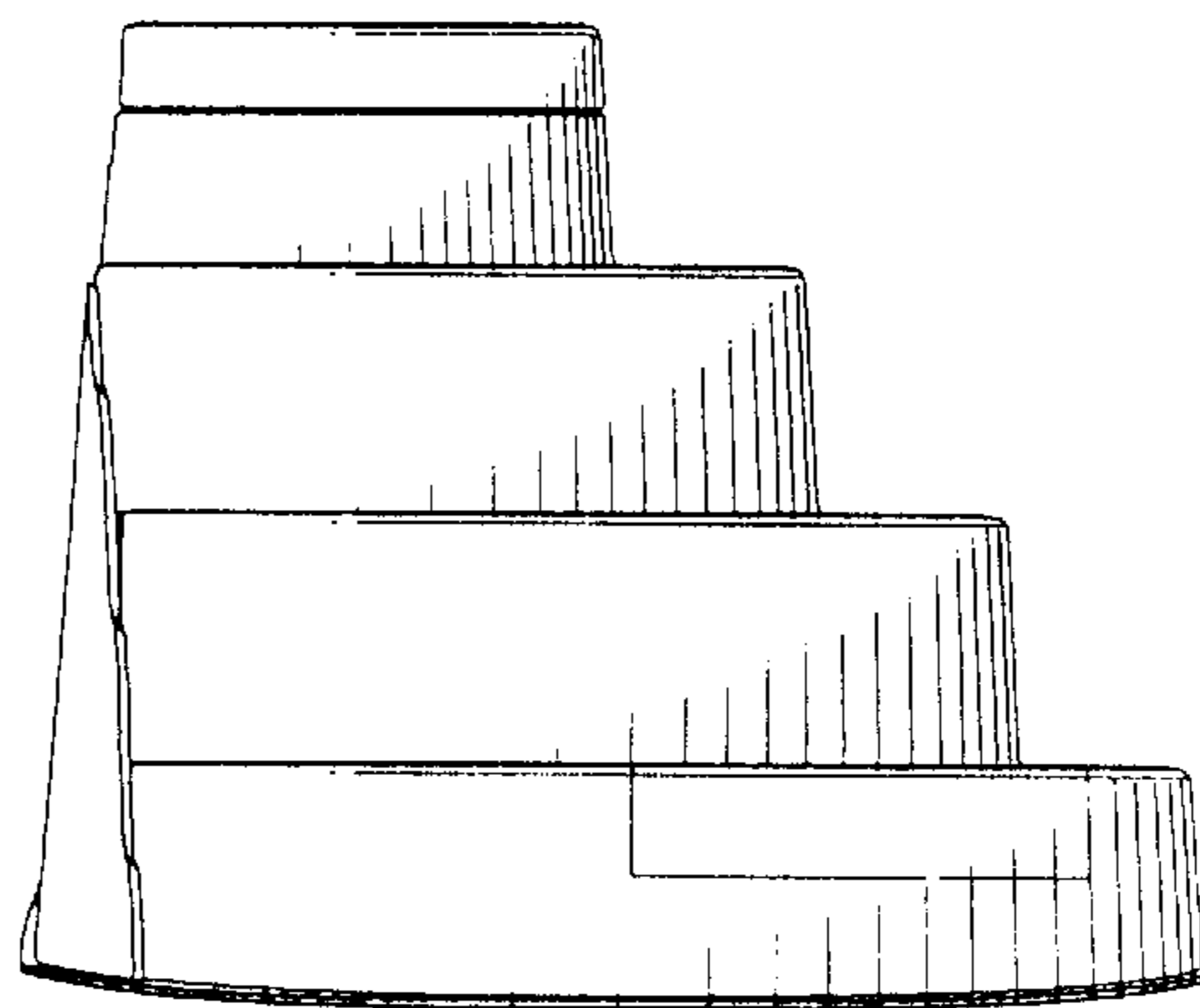


Fig-4

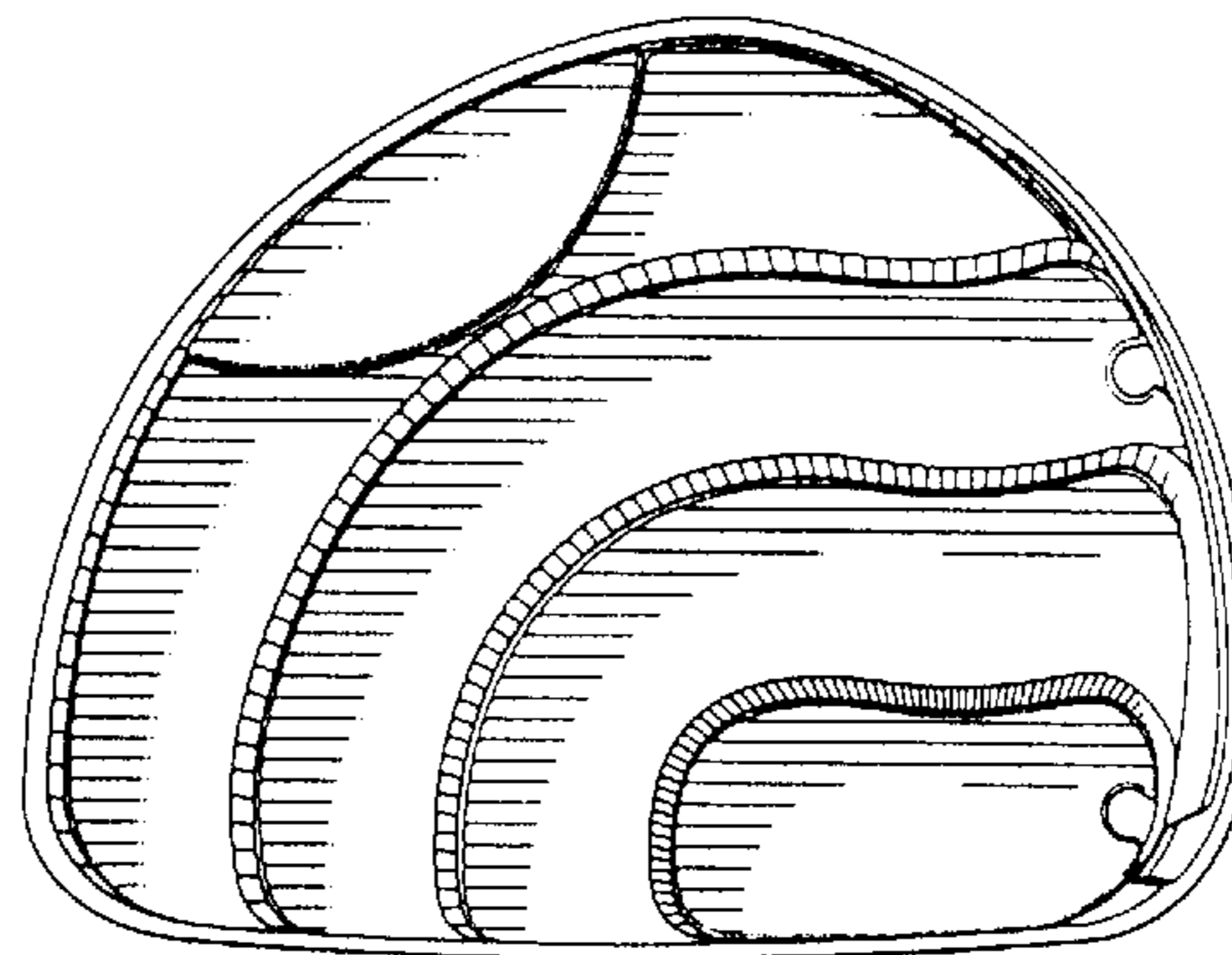


Fig-5

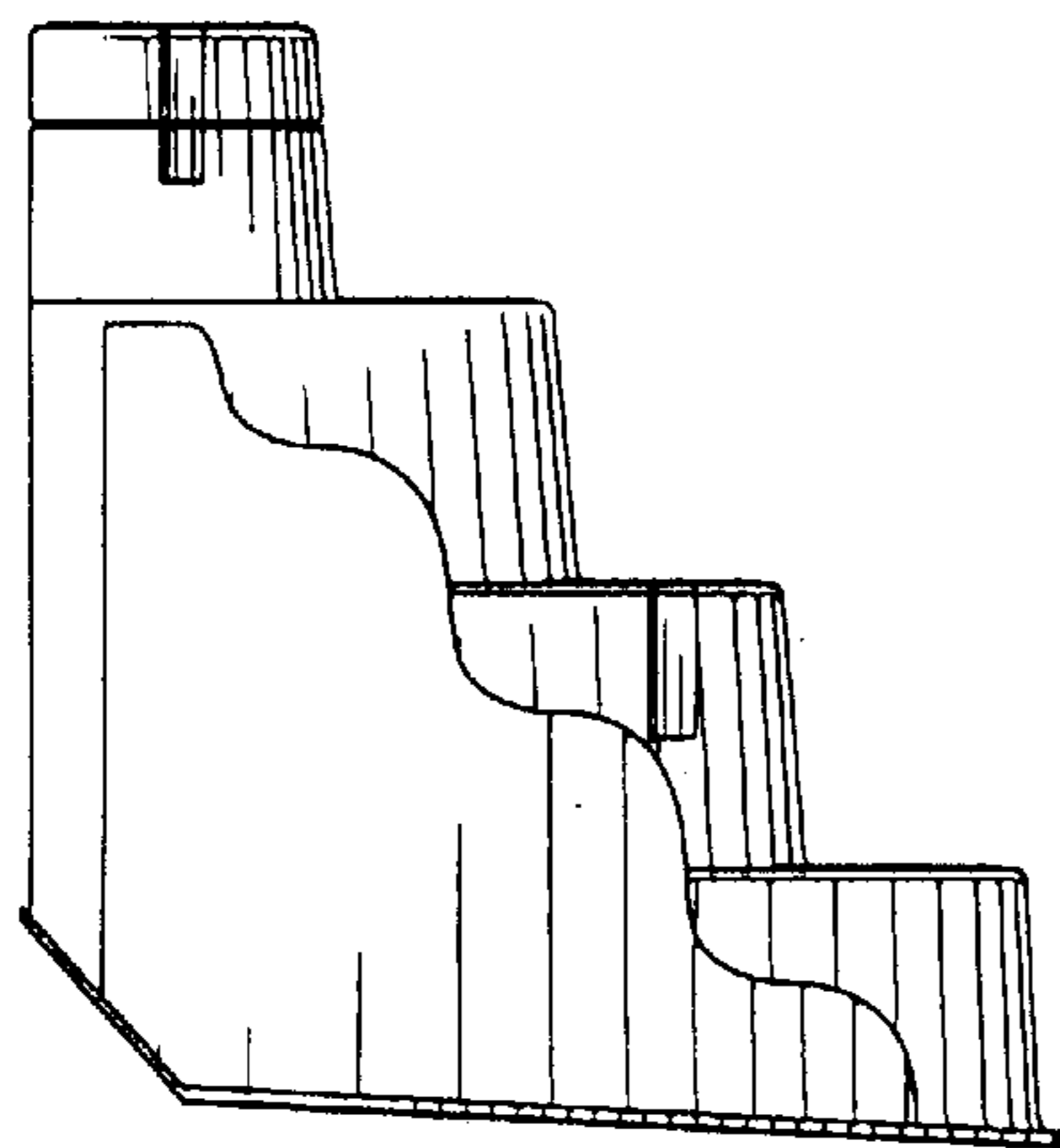


Fig-6

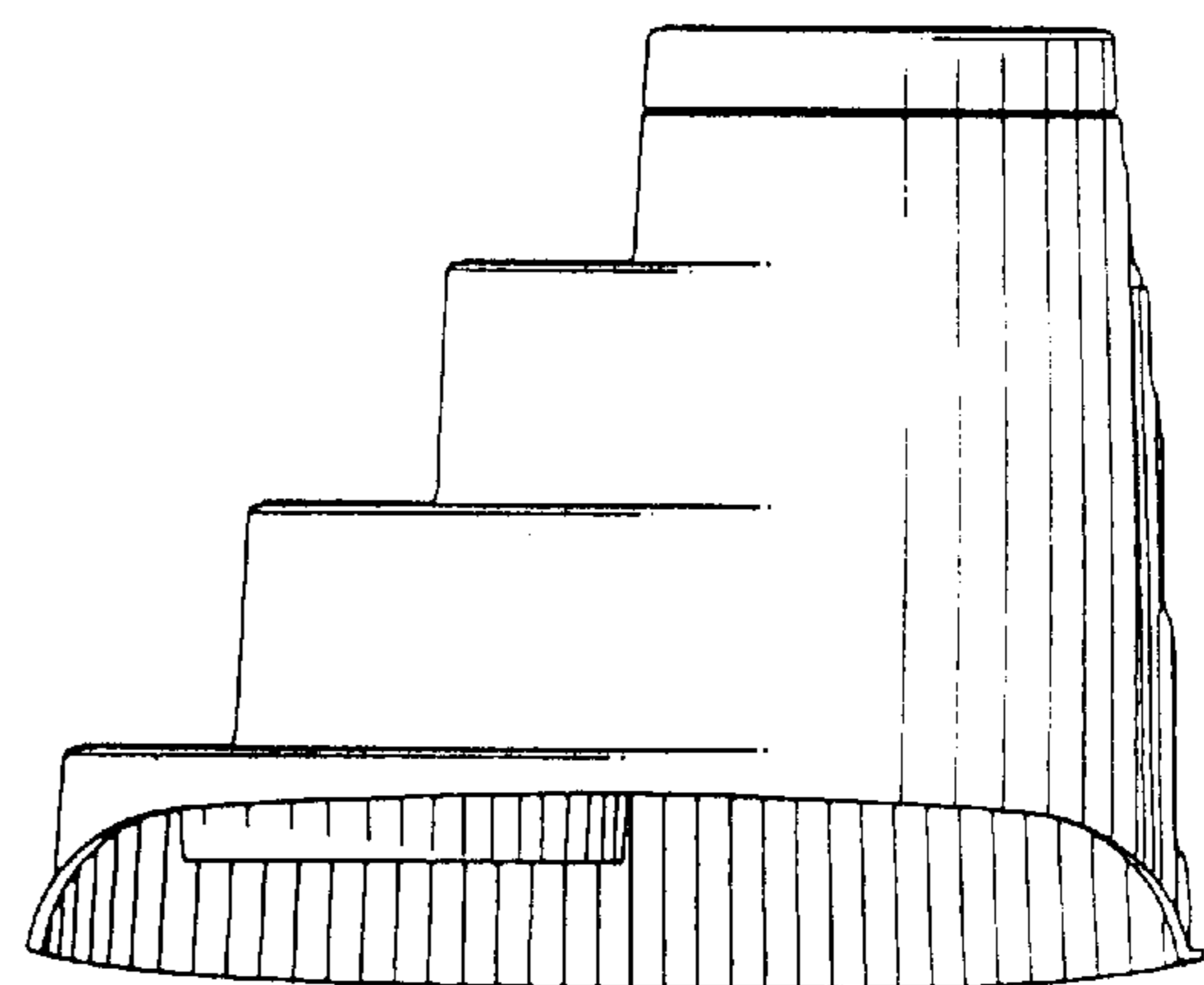


Fig-7