



US00D512516S

(12) **United States Design Patent**  
**Thurston**

(10) **Patent No.:** **US D512,516 S**  
(45) **Date of Patent:** **\*\* Dec. 6, 2005**

(54) **GUARDRAIL**

(76) **Inventor:** **Glenn Thurston**, 9198 Dale Road, R.R.  
#6, Colborne, Ontario (CA), K9A 4J9

(\*\*) **Term:** **14 Years**

(21) **Appl. No.:** **29/216,452**

(22) **Filed:** **Nov. 4, 2004**

(51) **LOC (8) Cl.** ..... **25-02**

(52) **U.S. Cl.** ..... **D25/38**

(58) **Field of Search** ..... 256/13.1, 59; 52/745.05;  
D25/126, 38, 50

(56) **References Cited**

**U.S. PATENT DOCUMENTS**

6,299,141 B1 \* 10/2001 Lindsay et al. .... 256/13.1  
D474,281 S \* 5/2003 Hansen ..... D25/38

\* cited by examiner

*Primary Examiner*—Doris Clark

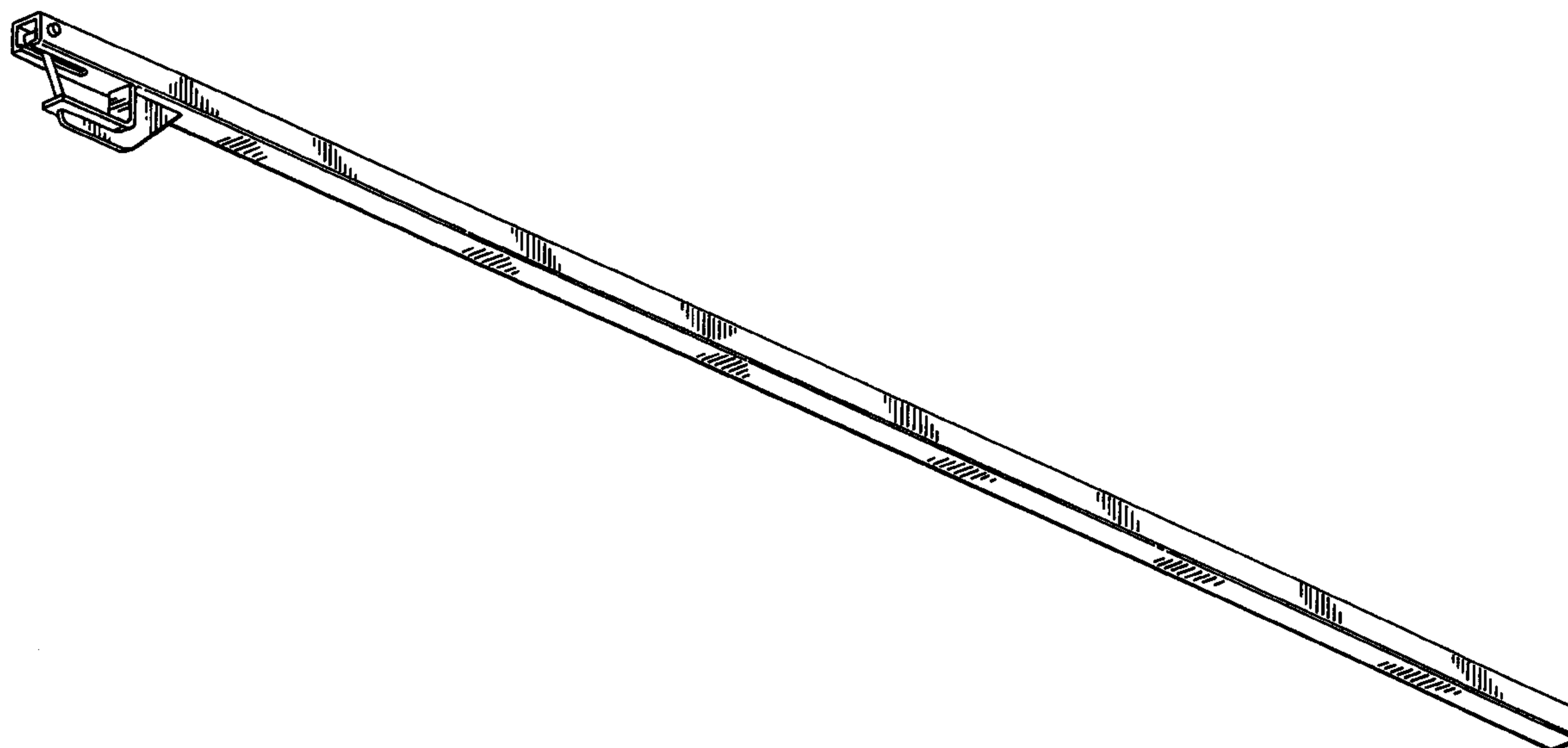
(57) **CLAIM**

I claim the ornamental design for a guardrail, as shown.

**DESCRIPTION**

FIG. 1 is a perspective first side and bottom view of the guardrail showing the present design;  
FIG. 2 is a perspective second side and top view of the design of FIG. 1;  
FIG. 3 is a first side view of the design of FIG. 1;  
FIG. 4 is a top view of the design of FIG. 1;  
FIG. 5 is a bottom view of the design of FIG. 1;  
FIG. 6 is a second side view of the design of FIG. 1;  
FIG. 7 is a first end view of the design of FIG. 1;  
FIG. 8 is a second end view of the design of FIG. 1; and,  
FIG. 9 is a top and second side view of the guardrail showing its operating environment in phantom which is for illustrative purposes only and form no part of the claimed design.

**1 Claim, 3 Drawing Sheets**



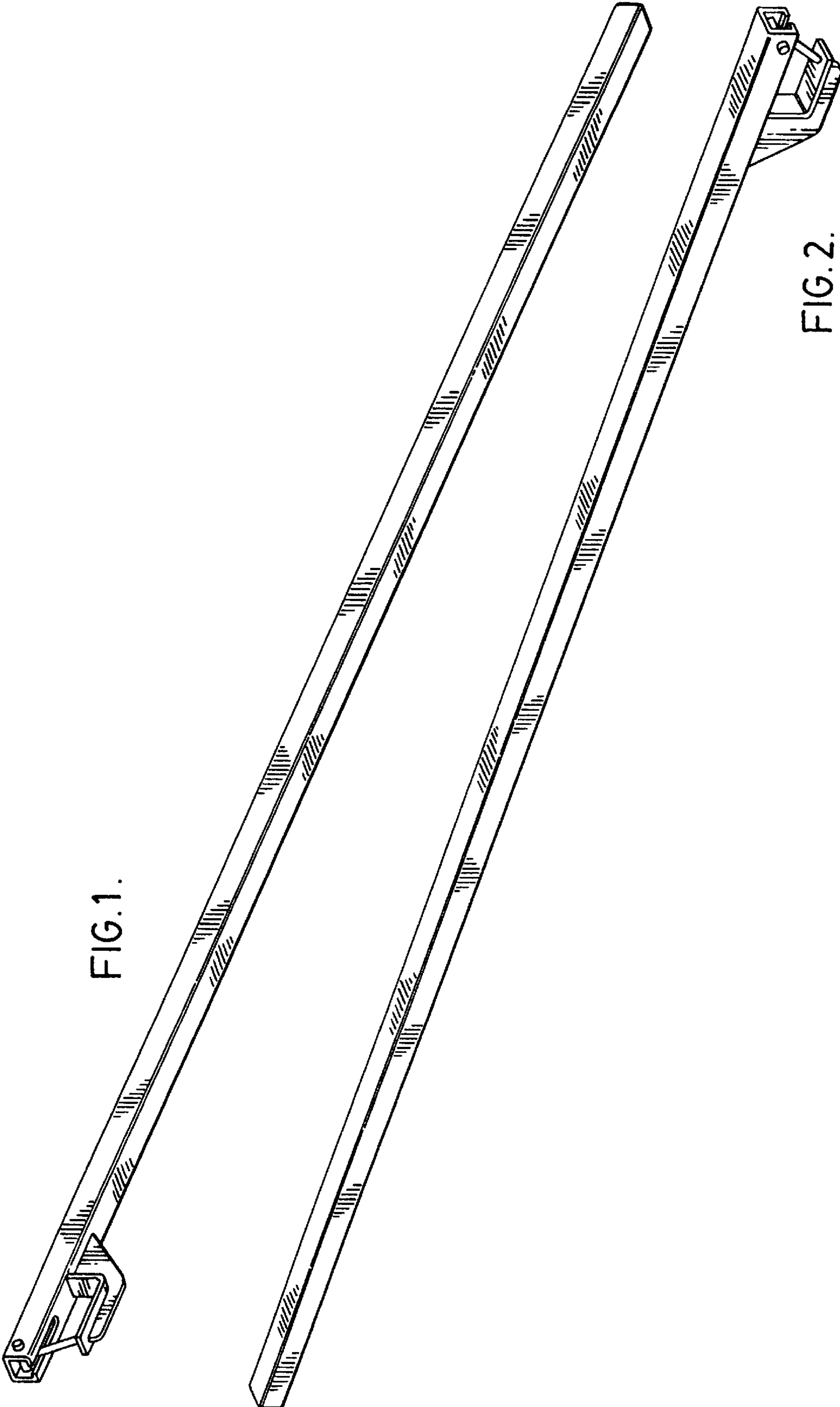


FIG. 1.

FIG. 2.

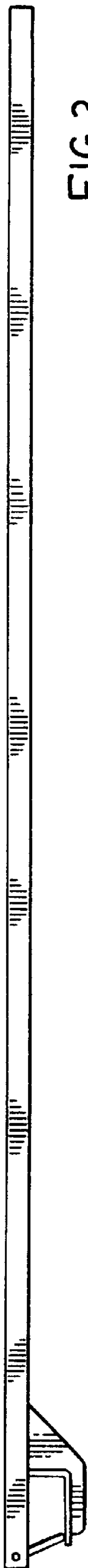


FIG. 3.

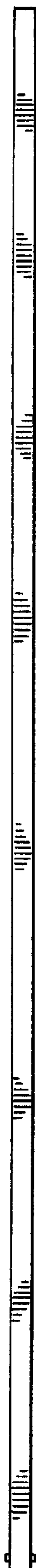


FIG. 4.

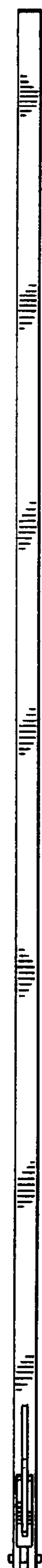


FIG. 5.

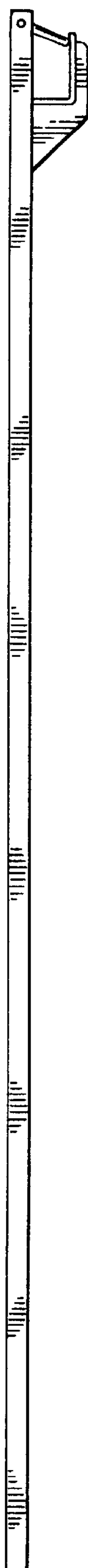


FIG. 6.



FIG. 7.



FIG. 8.

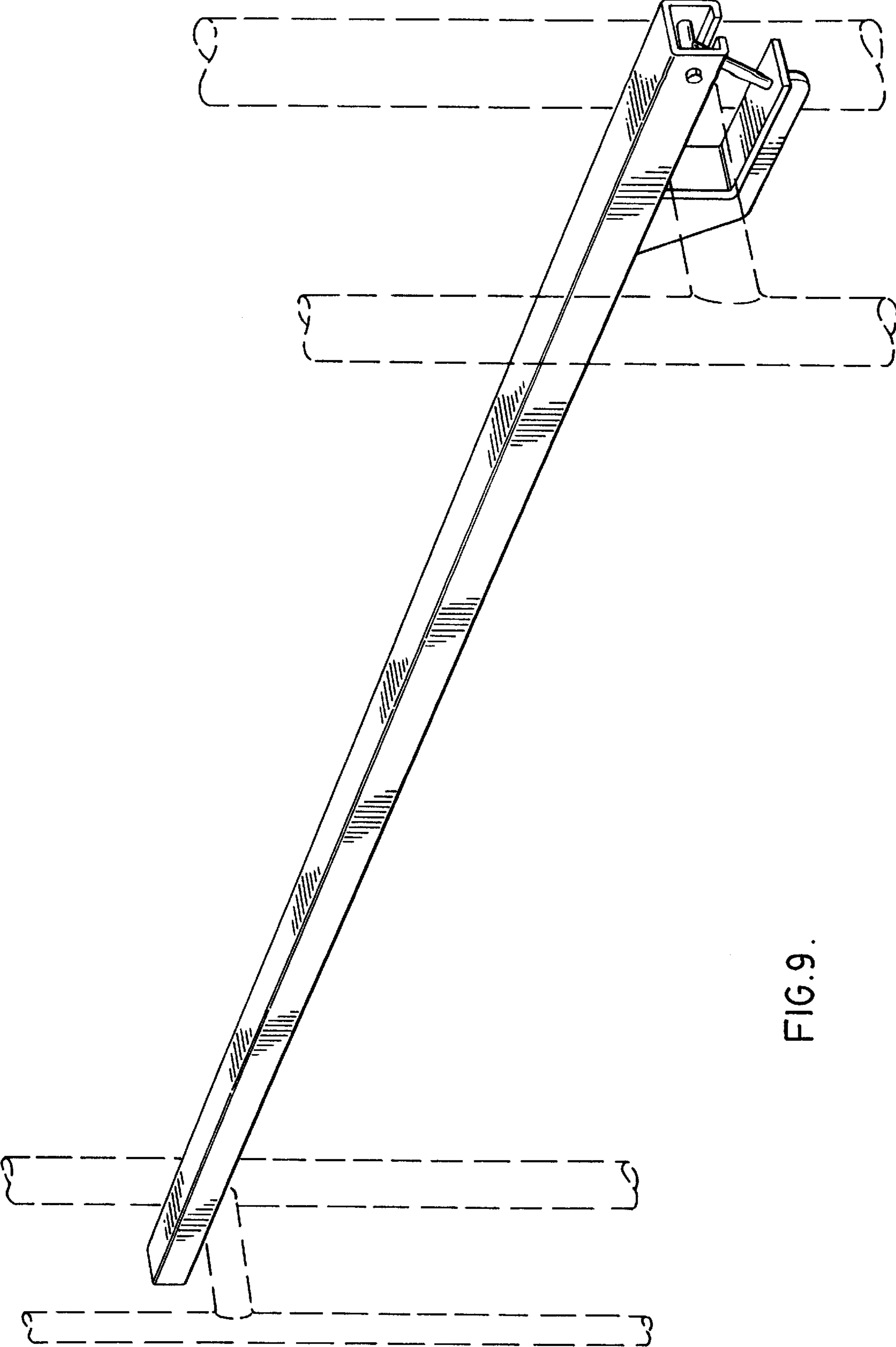


FIG. 9.