



US00D512515S

(12) **United States Design Patent**  
**Lucas**

(10) **Patent No.:** **US D512,515 S**  
(45) **Date of Patent:** **\*\* Dec. 6, 2005**

(54) **SEAL BEAD**

(75) Inventor: **Tom Lucas**, Clifton Park, NY (US)

(73) Assignee: **Latham Plastics, Inc.**, Latham, NY (US)

(\*\*) Term: **14 Years**

(21) Appl. No.: **29/212,593**

(22) Filed: **Sep. 3, 2004**

(51) **LOC (8) Cl.** ..... **25-03**

(52) **U.S. Cl.** ..... **D25/2**

(58) **Field of Search** ..... D25/2; 52/169.14;  
4/506

(56) **References Cited**

**U.S. PATENT DOCUMENTS**

5,953,867 A *	9/1999	Colletto	.....	52/169.7
6,209,151 B1 *	4/2001	Schwimmer	.....	4/506
D490,534 S *	5/2004	Stegmeier	.....	D25/2

\* cited by examiner

*Primary Examiner*—Doris Clark

(74) *Attorney, Agent, or Firm*—Steinberg & Raskin, P.C.

(57) **CLAIM**

The ornamental design for a seal bead, as shown and described.

**DESCRIPTION**

FIG. 1 illustrates a right side perspective view of the seal bead having a design according to the present invention; FIG. 2 illustrates a top view of the seal bead having a design according to the present invention; FIG. 3 illustrates a front elevational view of the seal bead having a design according to the present invention; FIG. 4 illustrates a left side view of the seal bead having a design according to the present invention; FIG. 5 illustrates a rear elevational view of the seal bead having a design according to the present invention; and, FIG. 6 illustrates a bottom view of the seal bead having a design according to the present invention.

**1 Claim, 3 Drawing Sheets**

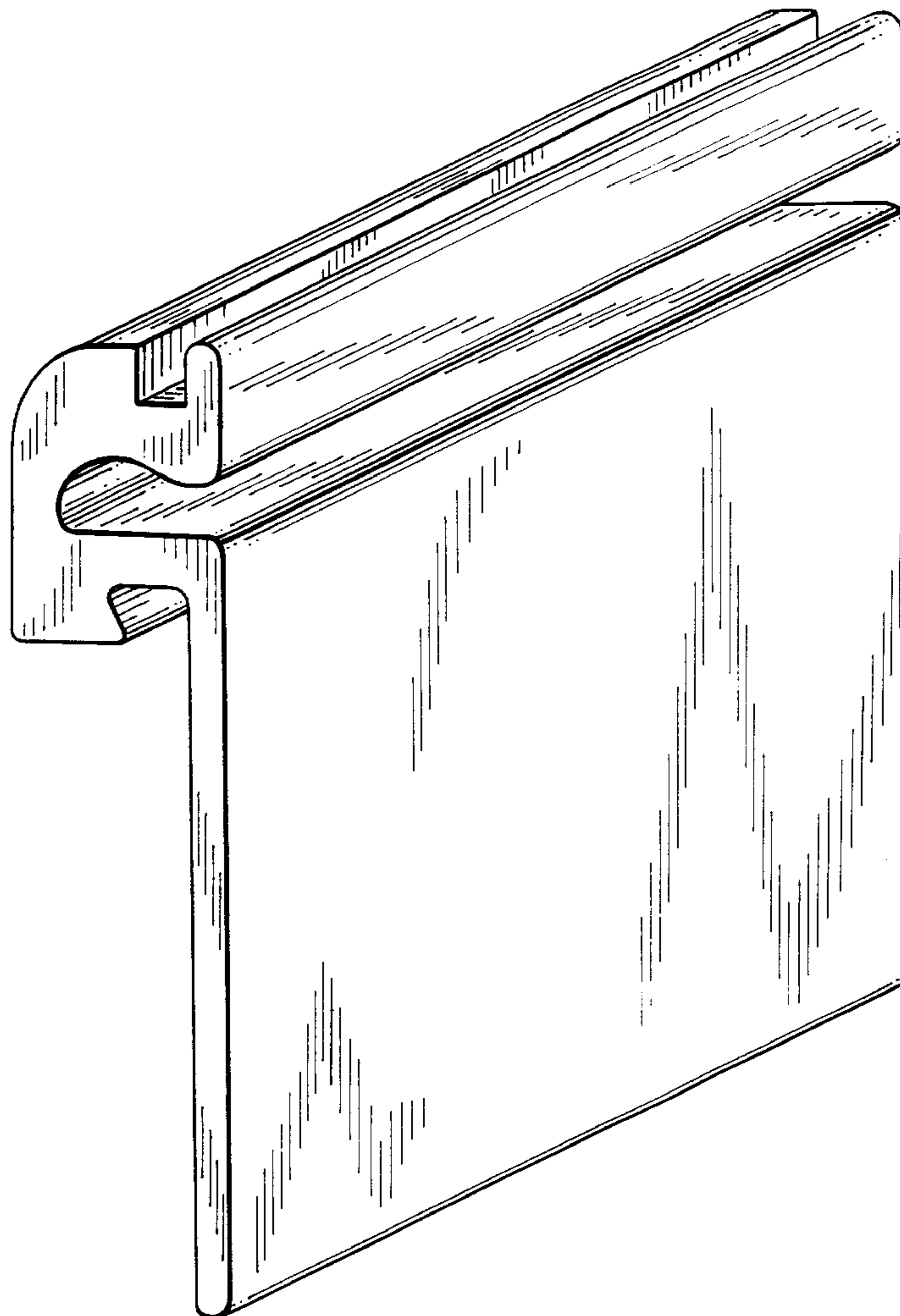


FIG. 1

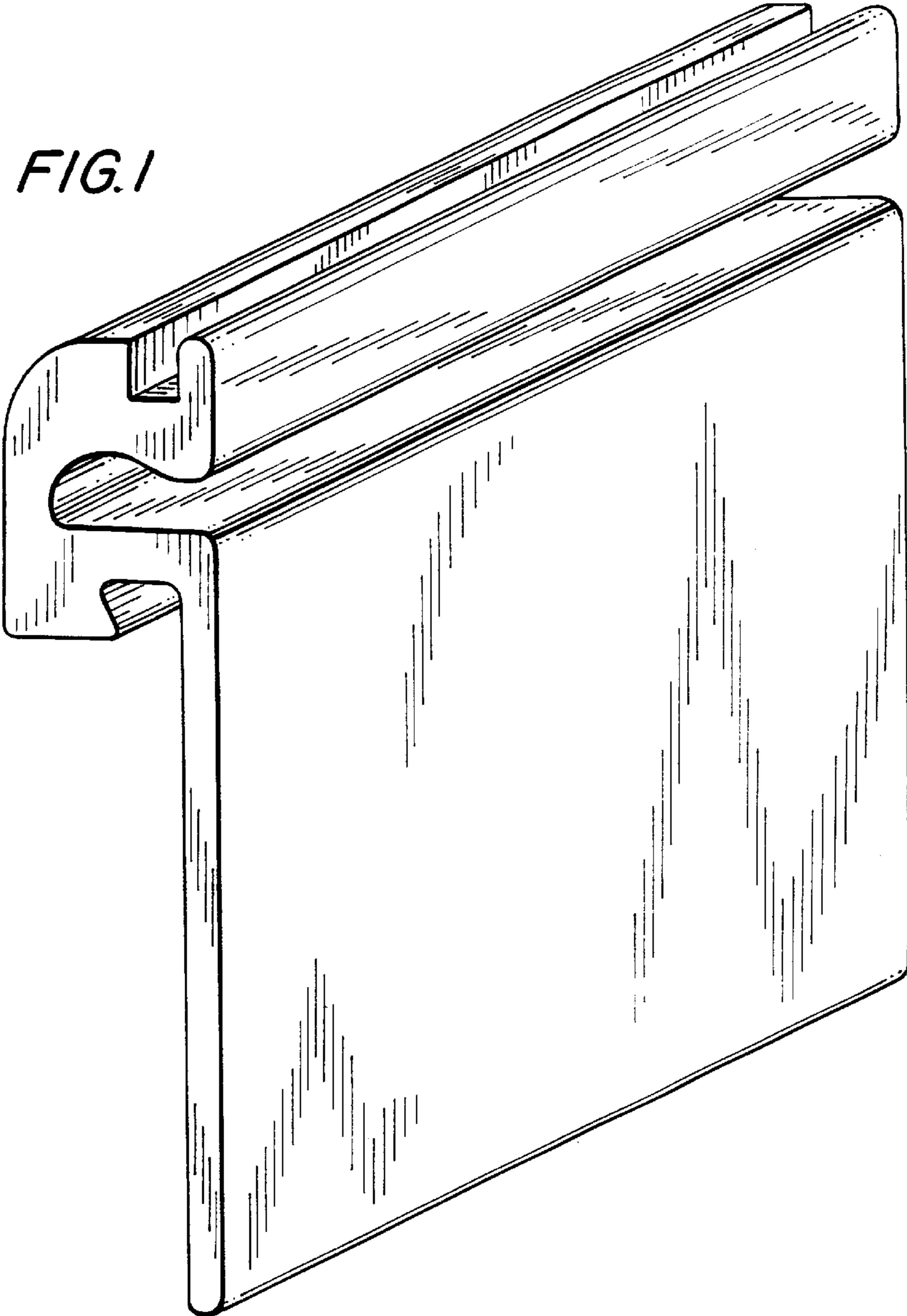


FIG. 2

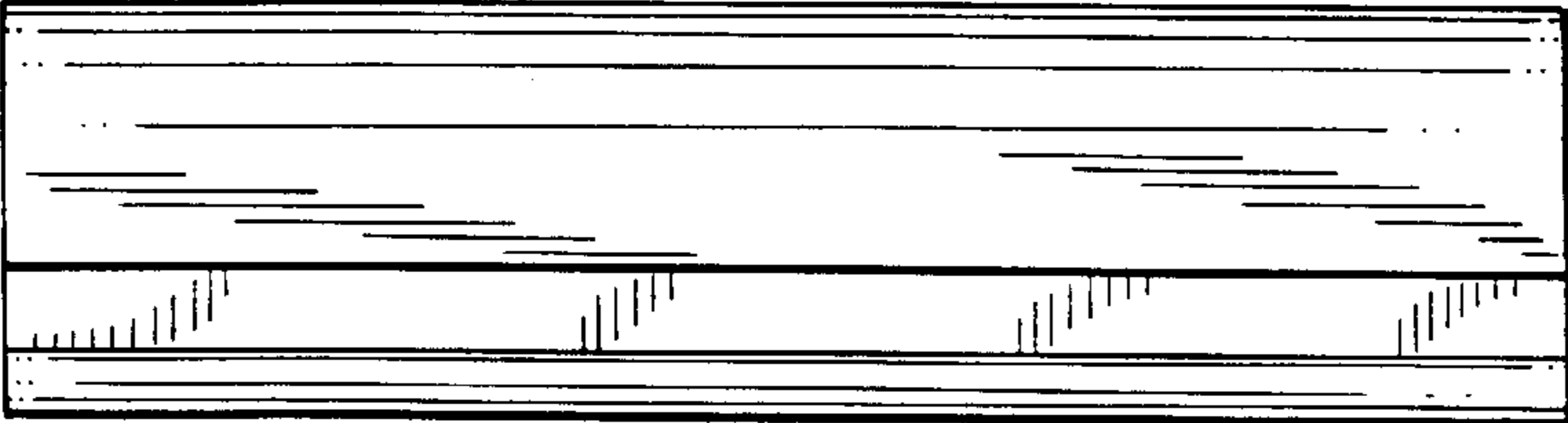




FIG. 4

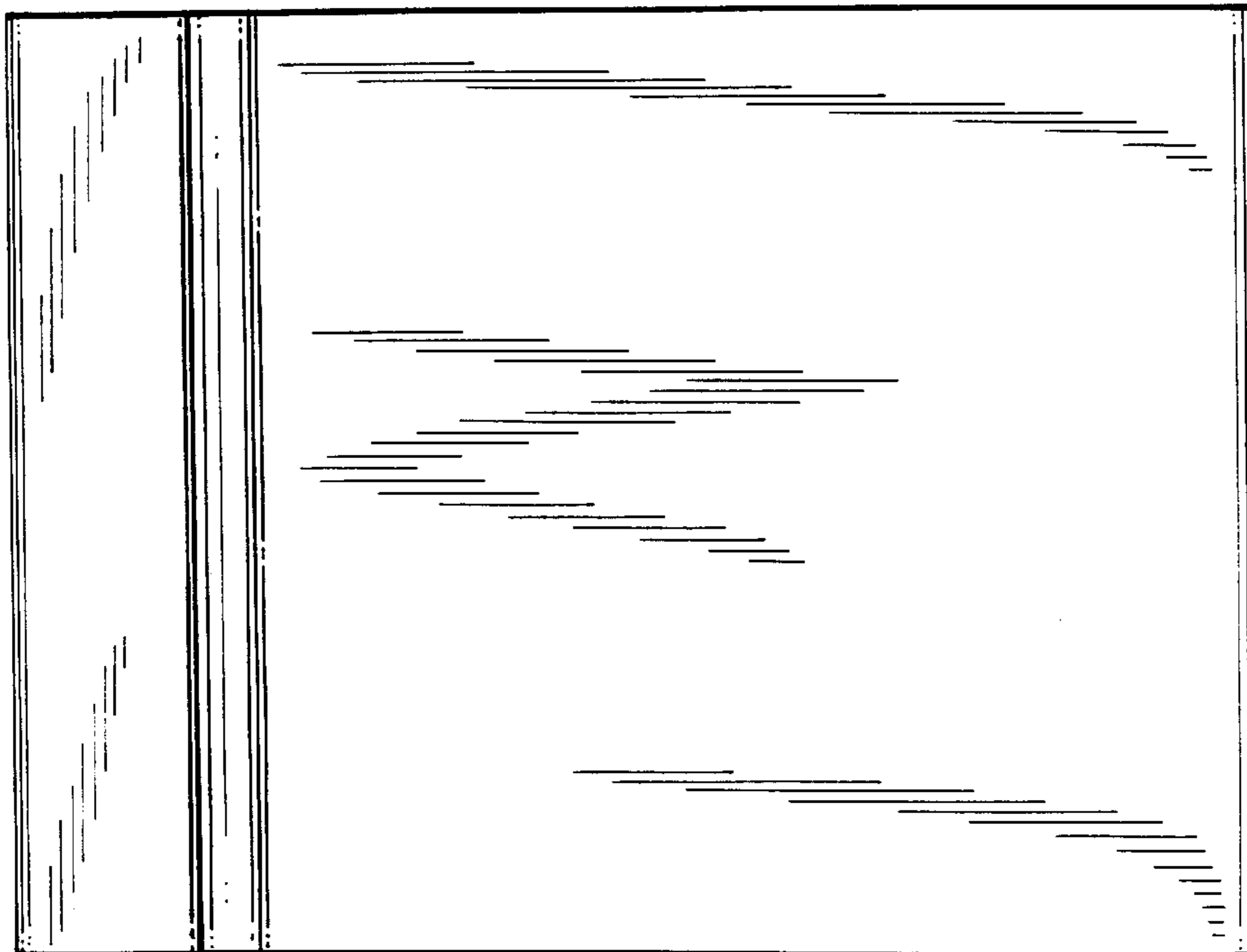
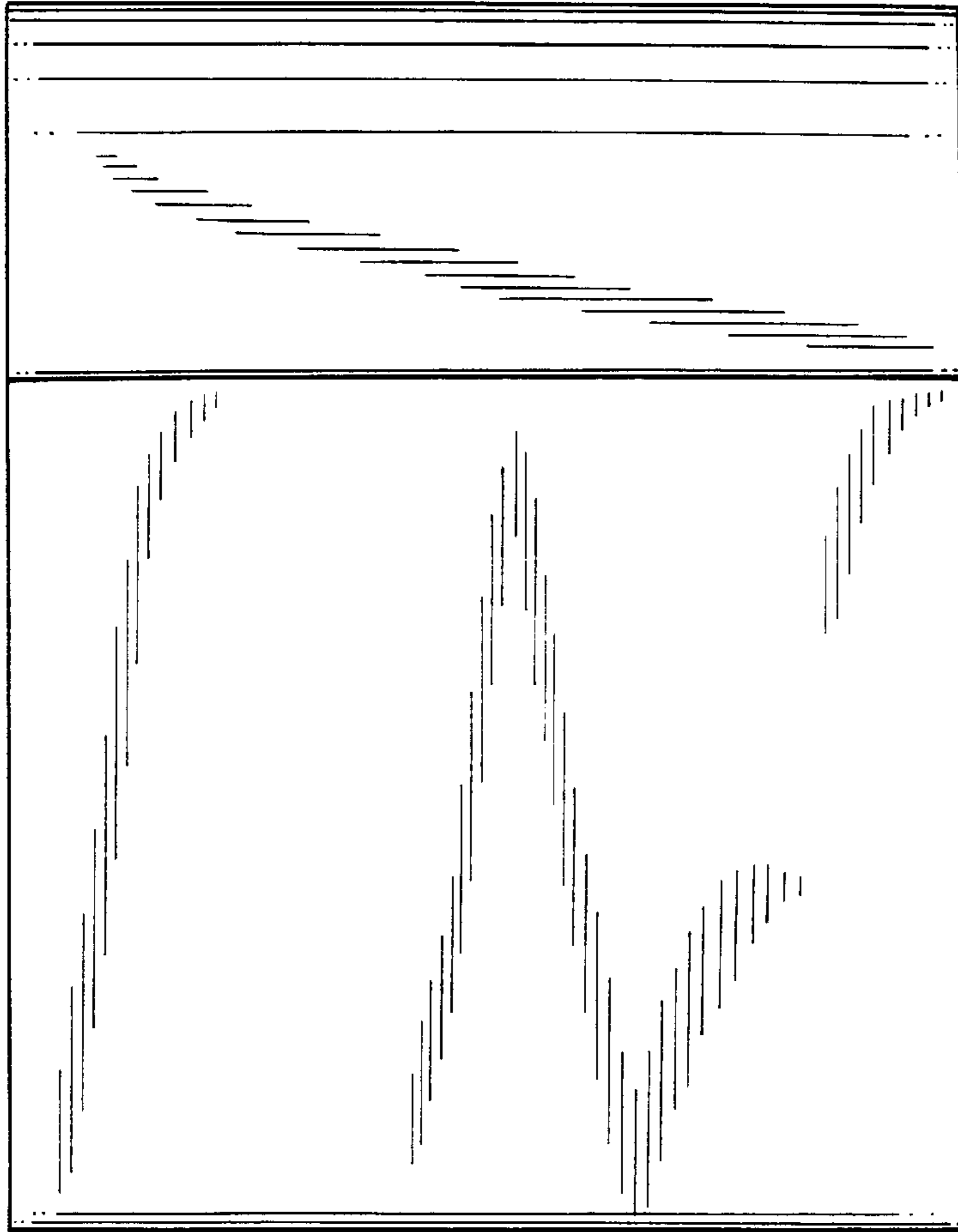
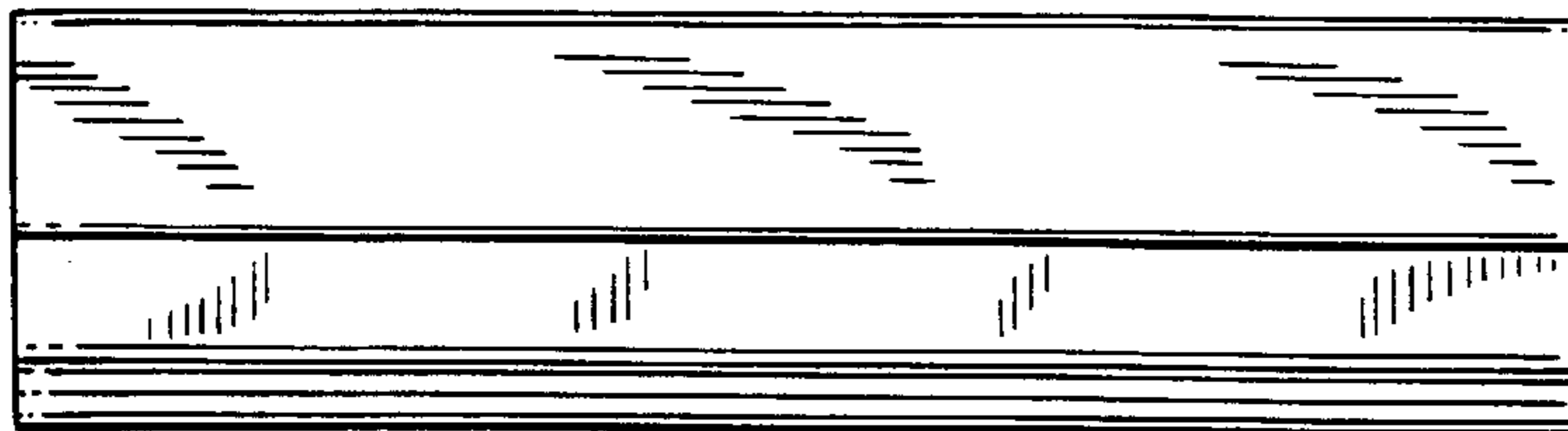


FIG. 3



*FIG. 5*



*FIG. 6*