



US00D512514S

(12) **United States Design Patent**
Calvaruso et al.

(10) **Patent No.:** **US D512,514 S**
(45) **Date of Patent:** **** Dec. 6, 2005**

(54) **VAULTED POOL COVER**

(76) Inventors: **John Calvaruso**, 1434 E. 3rd St.,
Brooklyn, NY (US) 11230; **Victoria**
Calvaruso, 1434 E. 3rd St., Brooklyn,
NY (US) 11230

(**) **Term:** **14 Years**

(21) **Appl. No.:** **29/204,992**

(22) **Filed:** **May 7, 2004**

(51) **LOC (8) Cl.** **25-03**

(52) **U.S. Cl.** **D25/2**

(58) **Field of Search** D25/2; 4/498,
4/503, 534

(56) **References Cited**

U.S. PATENT DOCUMENTS

4,685,254 A 8/1987 Terreri
4,953,239 A 9/1990 Gadsby

D388,180 S * 12/1997 Weihbrecht D25/61
5,970,531 A * 10/1999 Demby 4/498
D446,585 S * 8/2001 Webb D25/2

* cited by examiner

Primary Examiner—Doris Clark

(74) *Attorney, Agent, or Firm*—Raymond M. Galasso;
Galasso & Associates, L.P.

(57) **CLAIM**

The ornamental design for a vaulted pool cover, as shown.

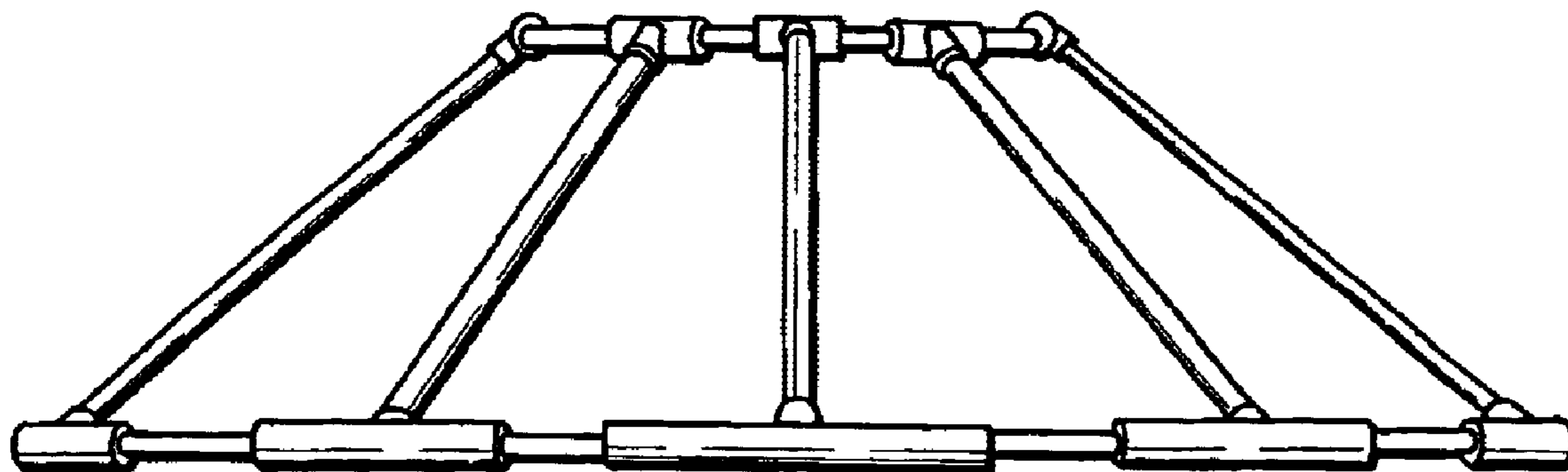
DESCRIPTION

FIG. 1 is a side elevational view of a vaulted pool cover, as disclosed herein.

FIG. 2 is a top view of the vaulted pool cover depicted in FIG. 1; and,

FIG. 3 is an enlarged view of the vaulted pool cover depicted in FIG. 1.

1 Claim, 3 Drawing Sheets



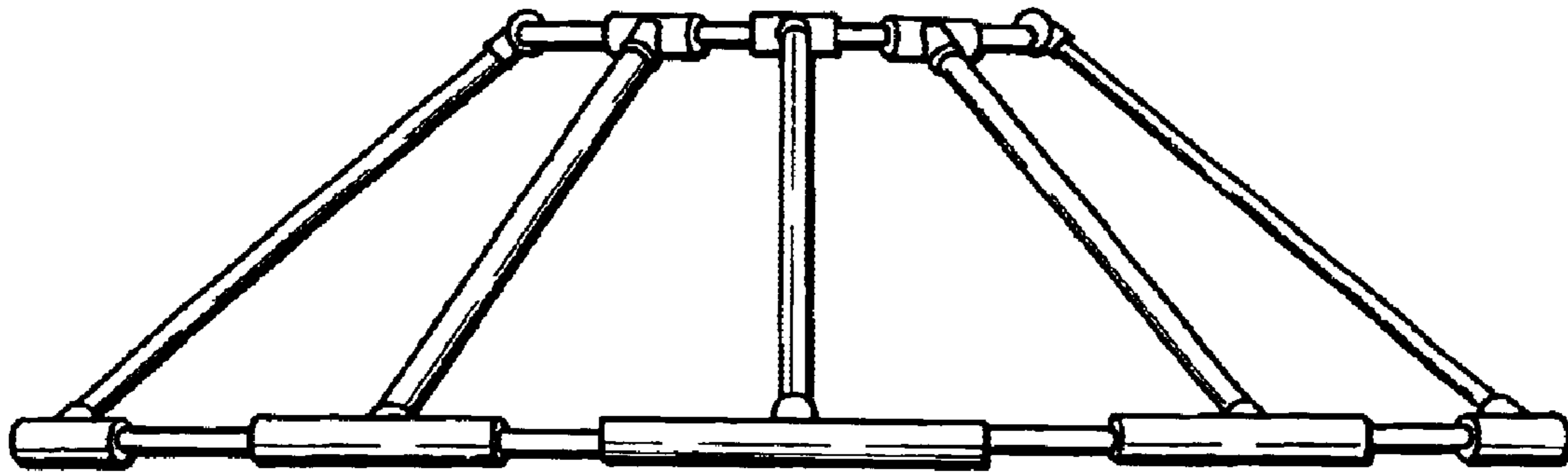


FIG. 1

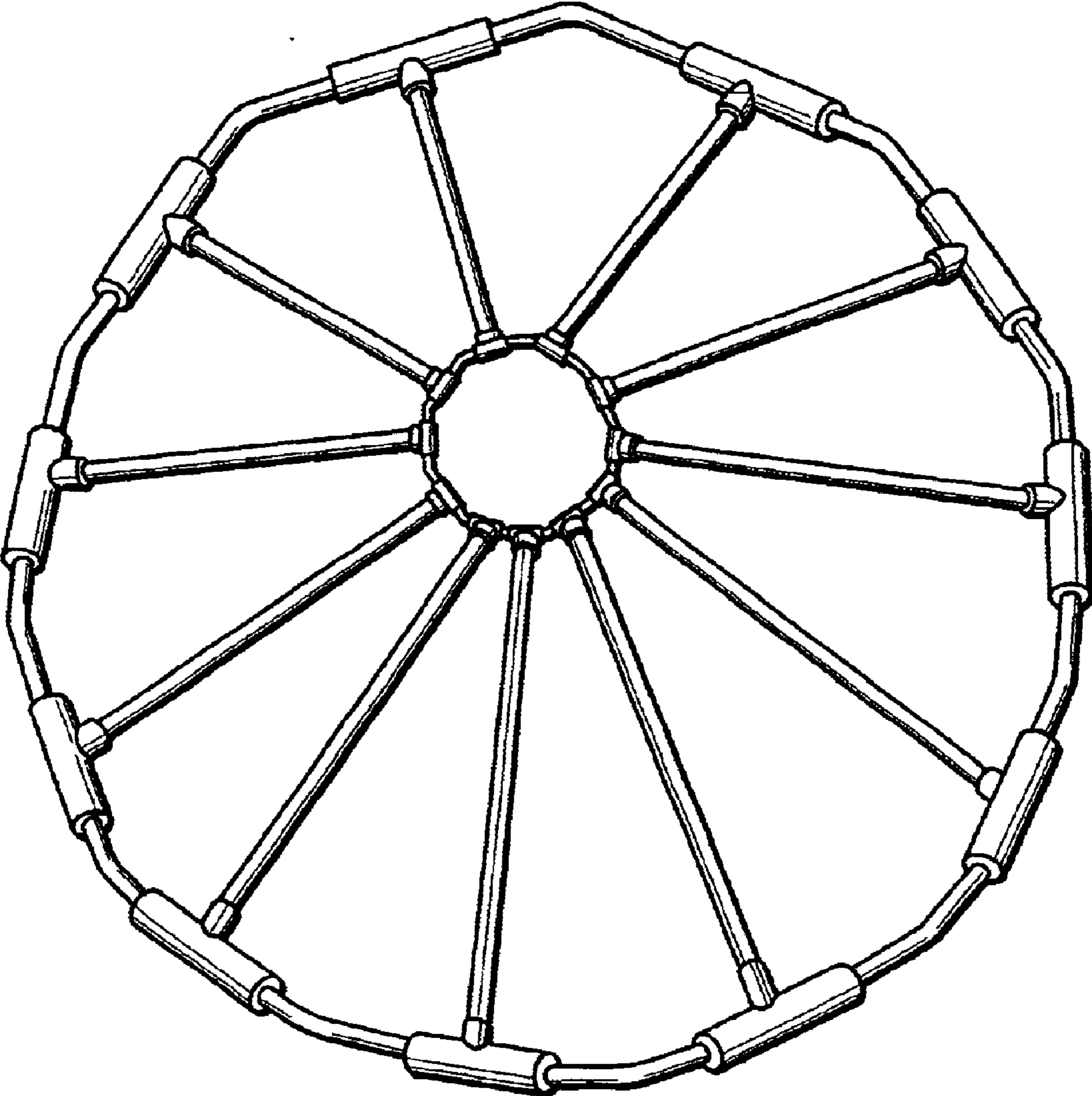


FIG. 2

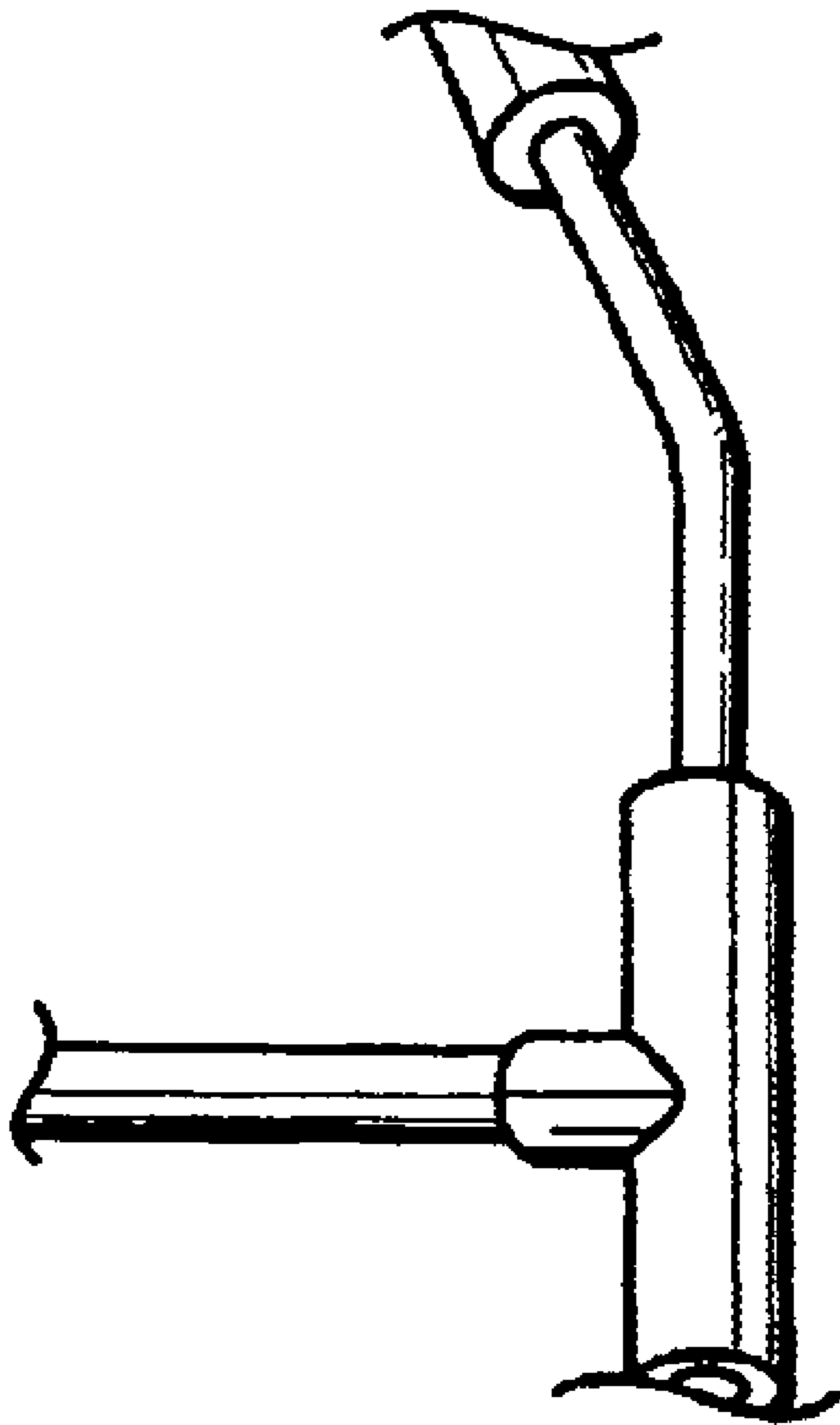


FIG. 3