



US00D512510S

(12) **United States Design Patent**
Inada et al.

(10) **Patent No.:** **US D512,510 S**
(45) **Date of Patent:** **** Dec. 6, 2005**

(54) **HAND MASSAGE APPARATUS FOR A MASSAGE CHAIR**

(75) Inventors: **Nichimu Inada**, Osaka (JP); **Noritsugu Kawamura**, Hirakata (JP)

(73) Assignee: **Family Co., Ltd.**, Osaka (JP)

(**) Term: **14 Years**

(21) Appl. No.: **29/201,747**

(22) Filed: **Mar. 18, 2004**

(30) **Foreign Application Priority Data**

Sep. 19, 2003 (JP) 2003-027505

(51) **LOC (8) Cl.** **24-04**

(52) **U.S. Cl.** **D24/200; D6/500; D6/501**

(58) **Field of Search** **D24/200, 154, D24/214; D6/500, 501, 367, 366, 335, 334; 601/133, 33, 49, 98, 151, 86, 90; 297/217.3**

(56) **References Cited**

U.S. PATENT DOCUMENTS

- 5,762,618 A * 6/1998 Yamanaka et al. 601/151
- D402,479 S 12/1998 Inada
- 6,003,940 A * 12/1999 Jackson 297/217.3
- D471,372 S 3/2003 Inada et al.
- 6,607,499 B1 * 8/2003 Becher 601/133
- D503,048 S * 3/2005 Inada et al. D6/367

2004/0186399 A1 * 9/2004 Tseng 601/133

* cited by examiner

Primary Examiner—Ian Simmons

(74) *Attorney, Agent, or Firm*—Alleman Hall McCoy Russell & Tuttle LLP

(57) **CLAIM**

The ornamental design for a hand massage apparatus for a massage chair, as shown and described.

DESCRIPTION

FIG. 1 is a front view of a hand massage apparatus for a massage chair according to one embodiment of the present invention.

FIG. 2 is a rear view of the hand massage apparatus of FIG. 1.

FIG. 3 is a top view of the hand massage apparatus of FIG. 1.

FIG. 4 is a bottom view of the hand massage apparatus of FIG. 1.

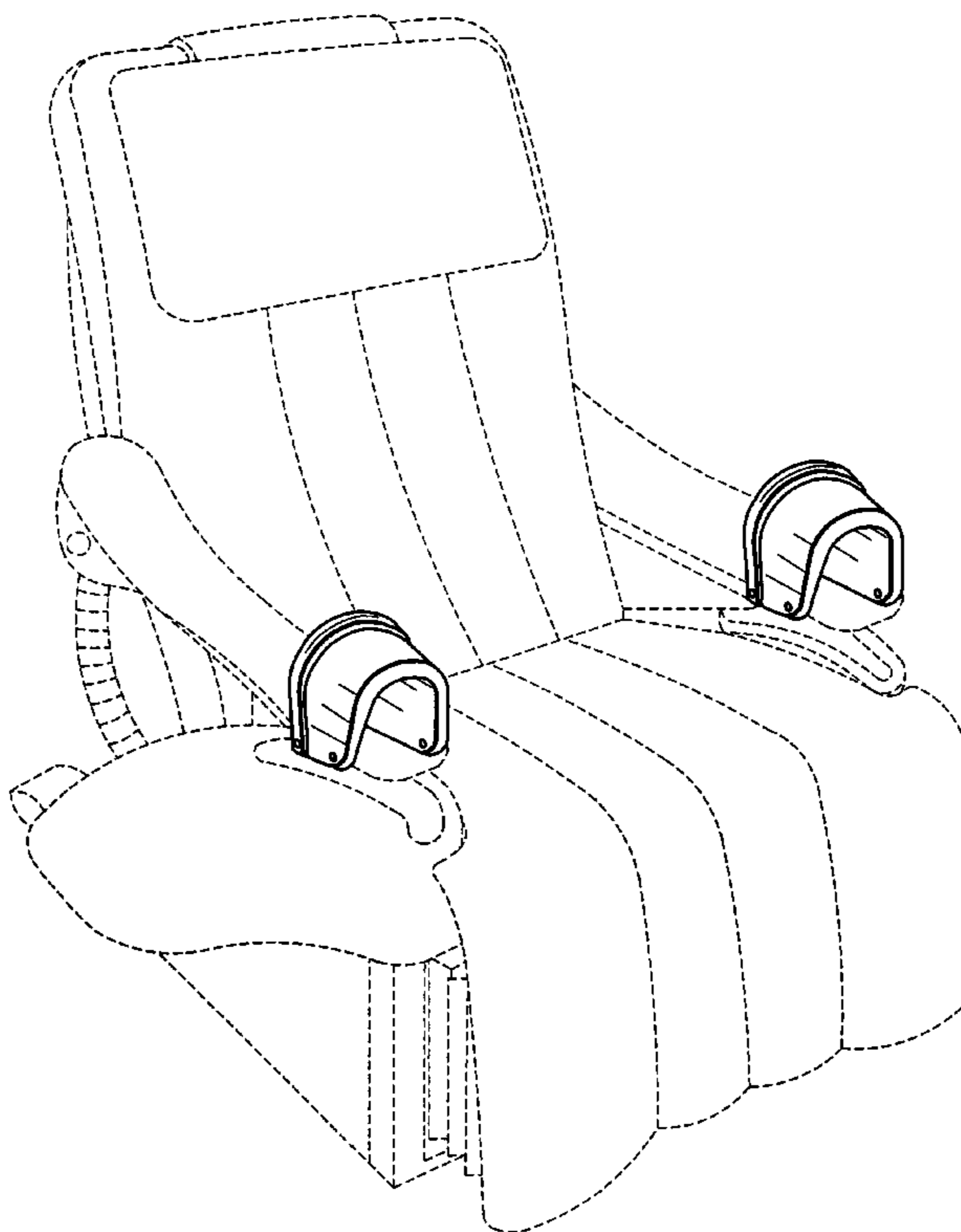
FIG. 5 is a left side view of the hand massage apparatus of FIG. 1.

FIG. 6 is a right side view of the hand massage apparatus of FIG. 1; and,

FIG. 7 is a perspective view of the hand massage apparatus of FIG. 1, from an upper left side perspective.

The broken lines show environment, and form no part of the claimed design.

1 Claim, 7 Drawing Sheets



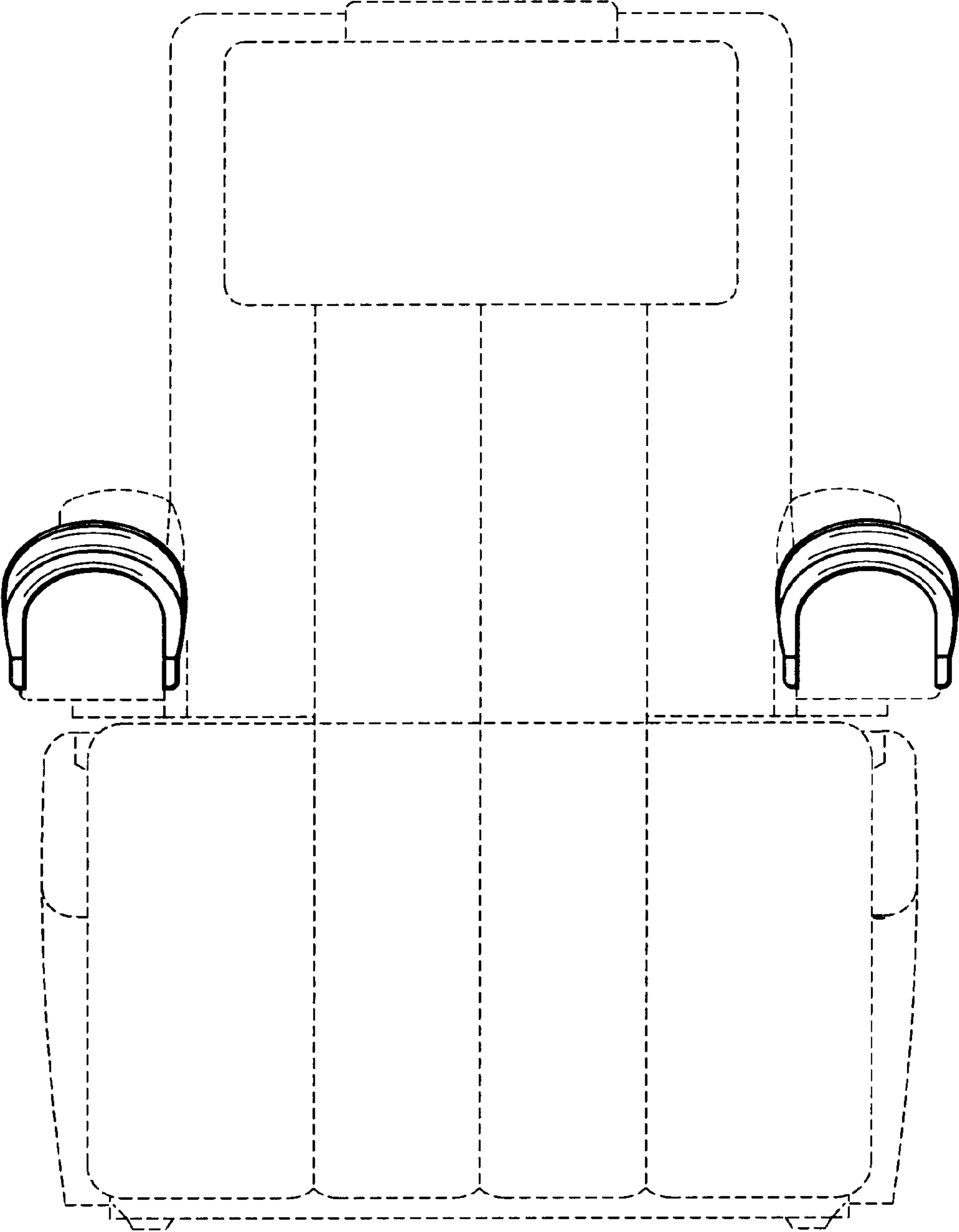


FIG. 1

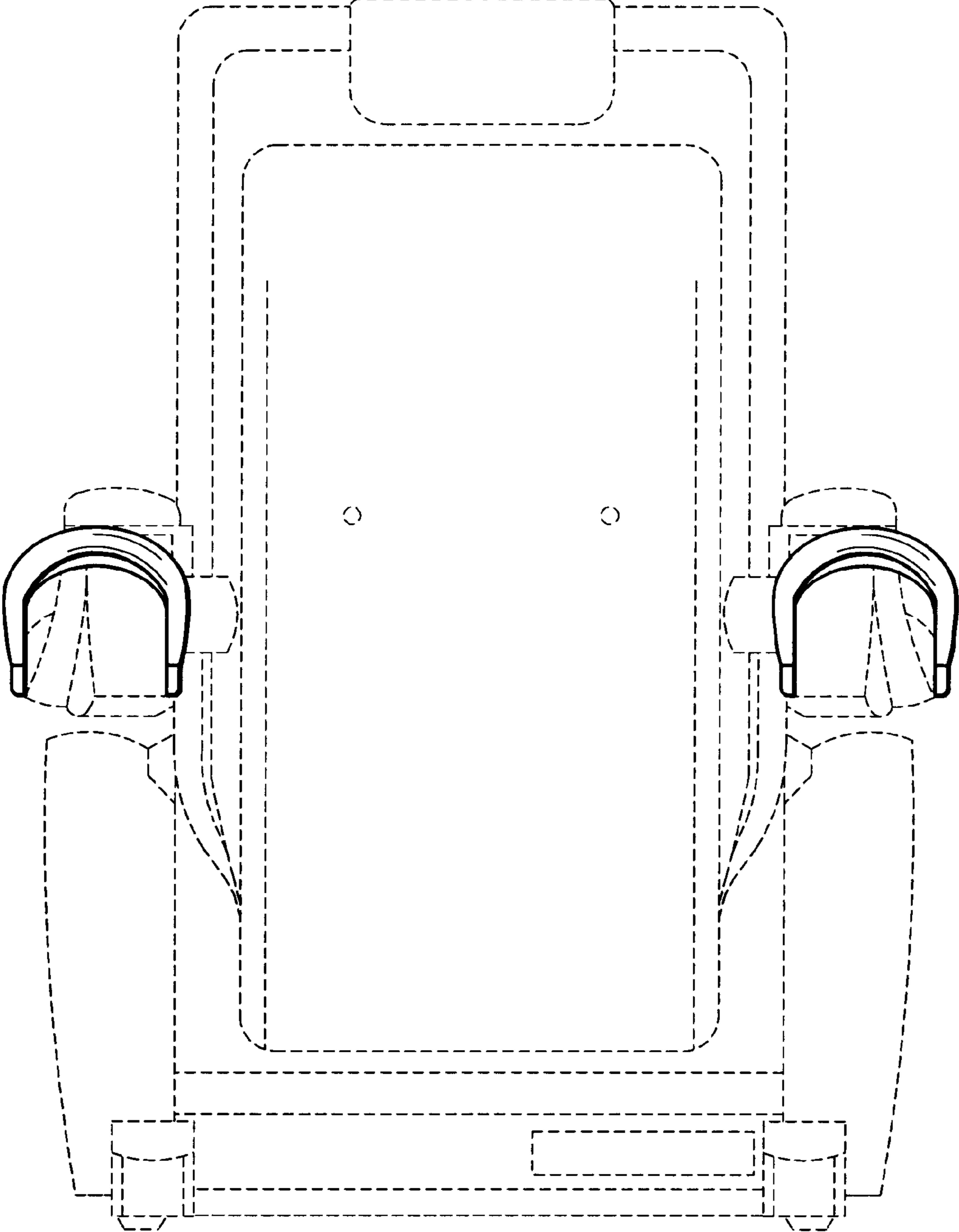


FIG. 2

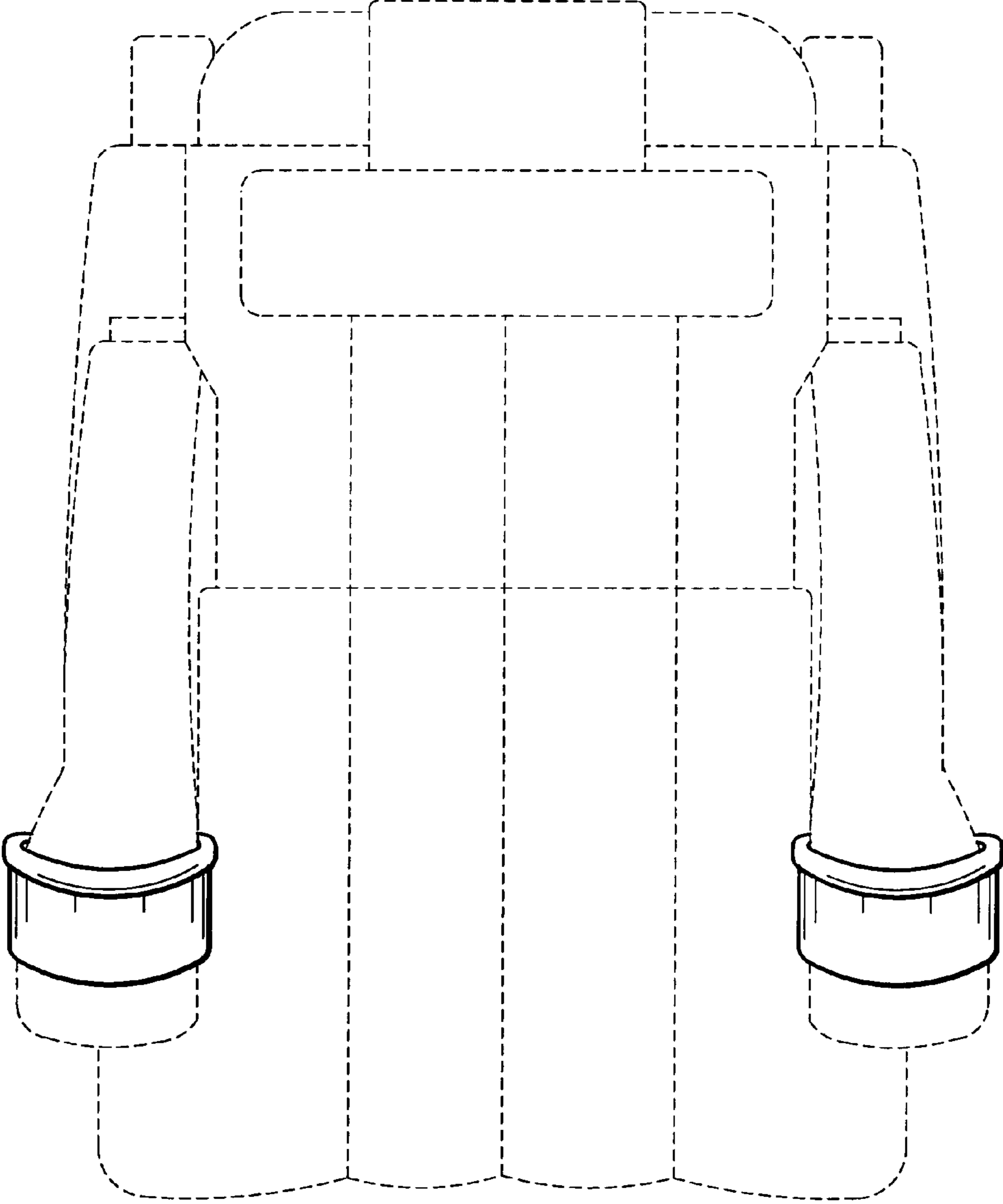


FIG. 3

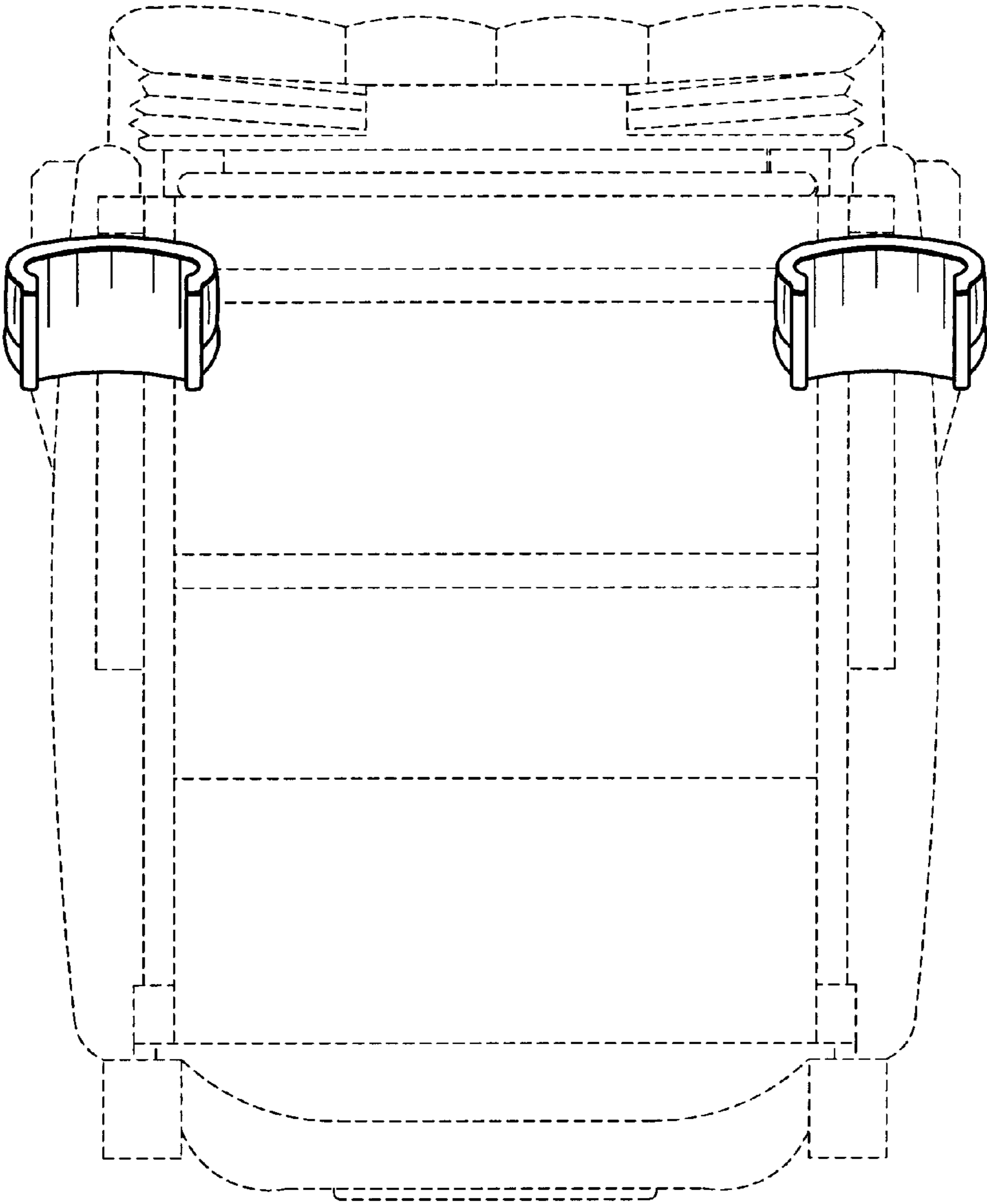


FIG. 4

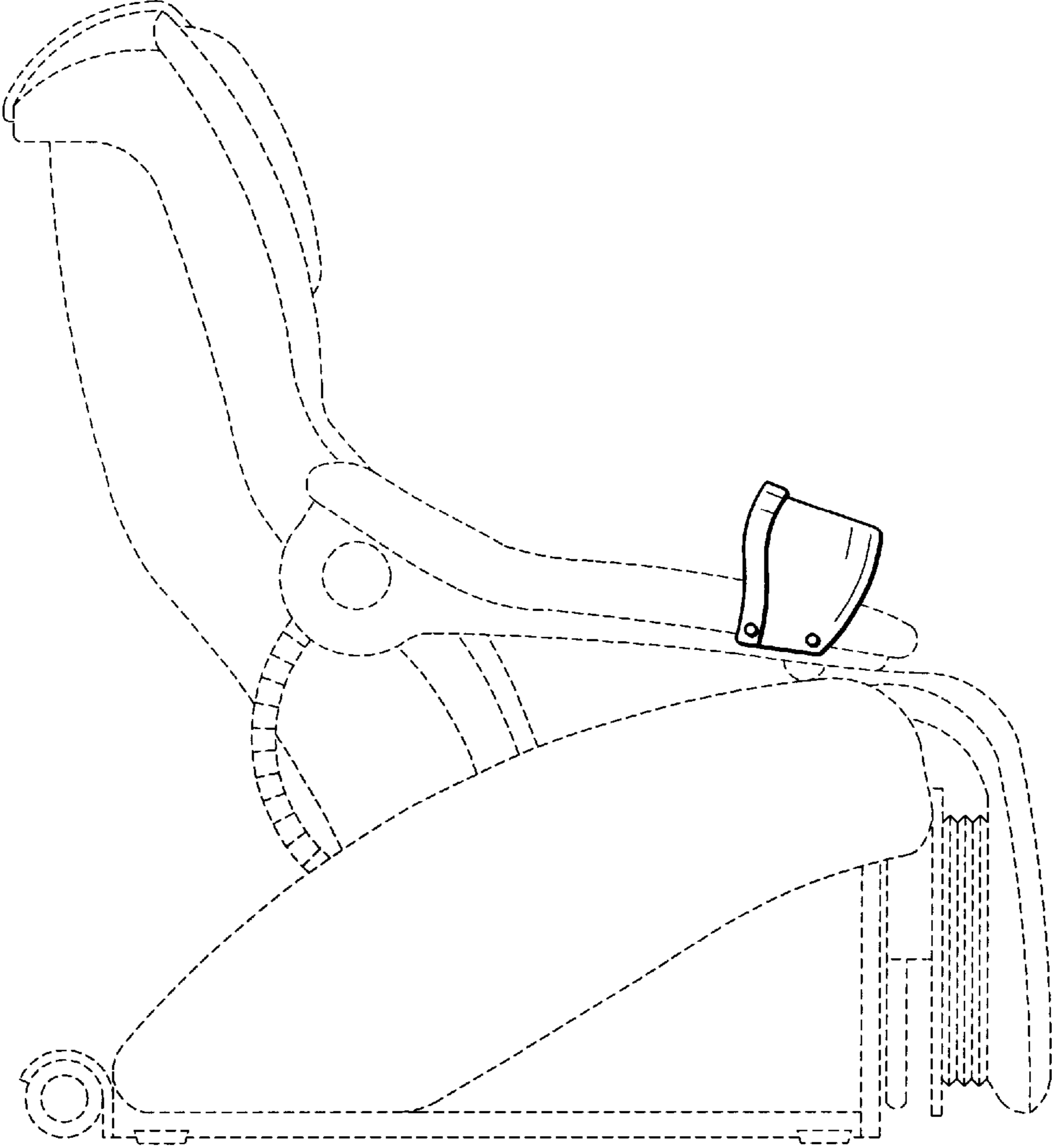


FIG. 5

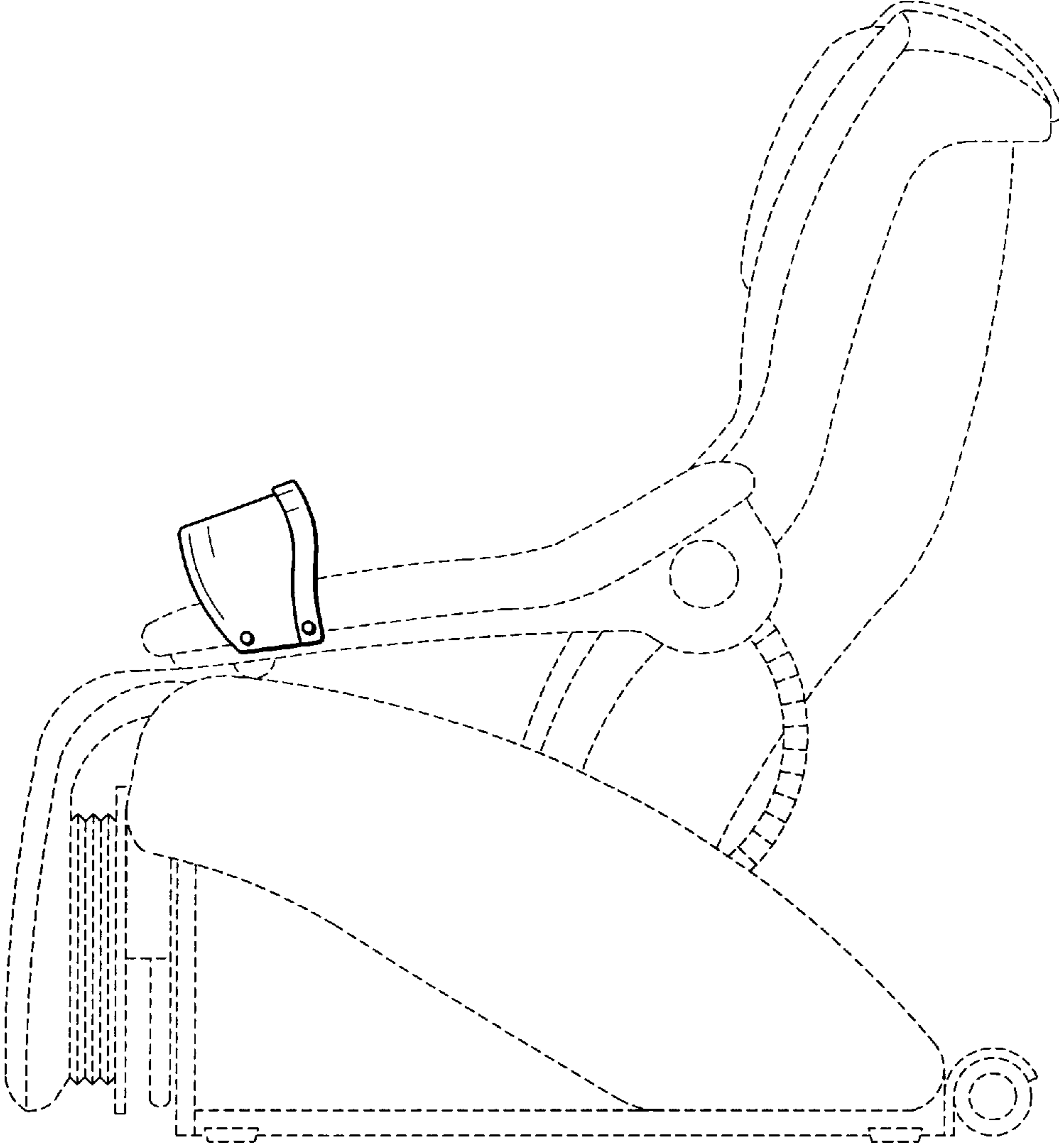


FIG. 6

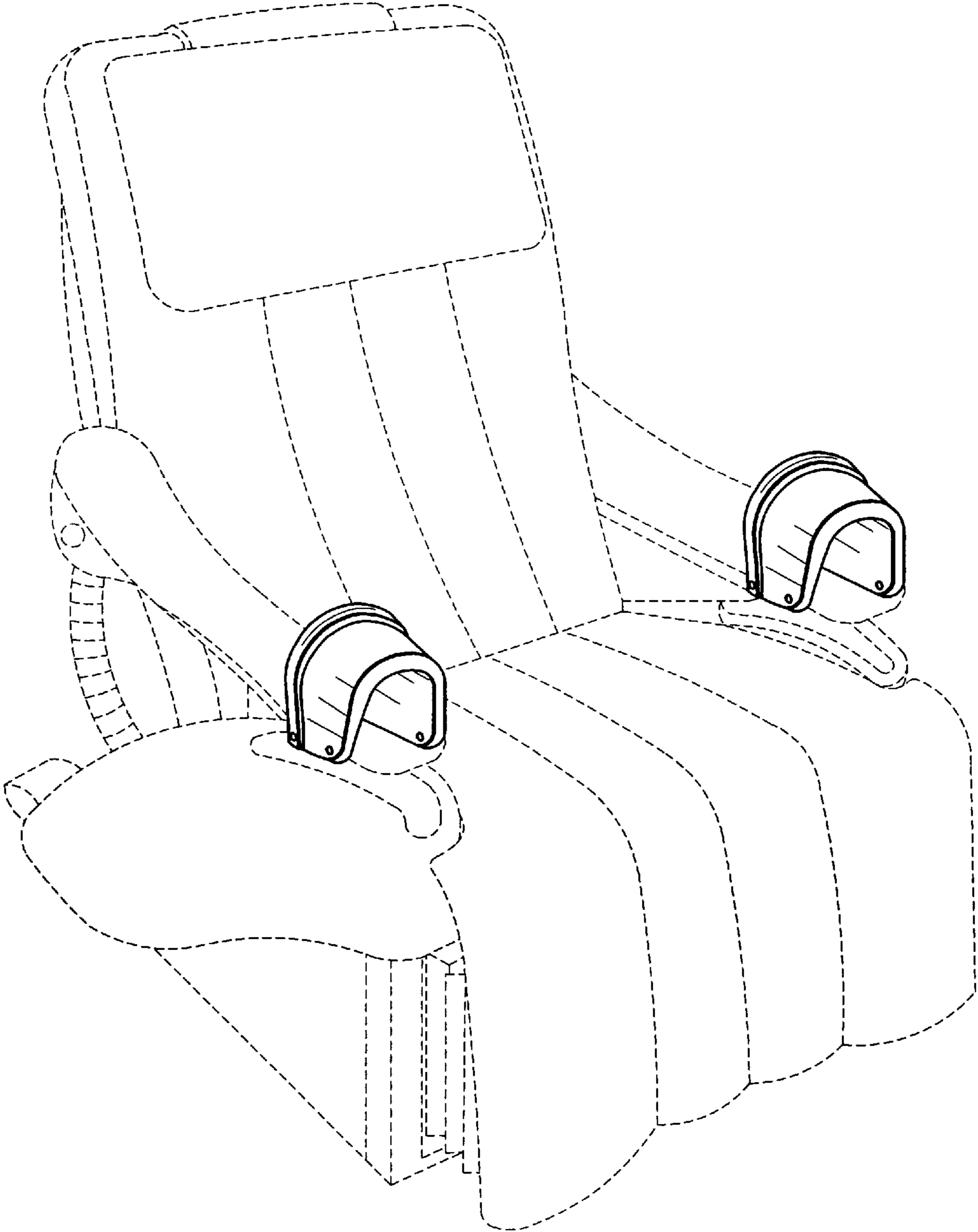


FIG. 7