



US00D512508S

(12) **United States Design Patent** (10) **Patent No.:** **US D512,508 S**
Mesaros (45) **Date of Patent:** **** Dec. 6, 2005**

(54) **PORTABLE MEDICAL ULTRASONIC IMAGING INSTRUMENT**

Primary Examiner—Ian Simmons
Assistant Examiner—Daniel Yu
(74) *Attorney, Agent, or Firm*—W. Brinton Yorks, Jr.

(75) **Inventor:** **Robert Mesaros, Bothell, WA (US)**

(73) **Assignee:** **Koninklijke Philips Electronics N.V., Eindhoven (NL)**

(**) **Term:** **14 Years**

(57) **CLAIM**

The ornamental design for a portable medical ultrasonic imaging instrument, as shown.

(21) **Appl. No.:** **29/217,827**

(22) **Filed:** **Nov. 22, 2004**

DESCRIPTION

Related U.S. Application Data

A new, original and ornamental design for a portable medical ultrasonic imaging instrument. The intended use of the article in which the design is embodied is a medical ultrasonic diagnostic imaging system used to image the interior of the body by the processing of ultrasonic signals.

(63) Continuation-in-part of application No. 10/155,506, filed on May 23, 2002, now Pat. No. 6,821,250.

(51) **LOC (8) Cl.** **24-02**

(52) **U.S. Cl.** **D24/185**

(58) **Field of Search** D24/185, 186, D24/107, 160, 231, 232; 600/437, 442, 443; 248/918; 128/922

FIG. 1 is a forward perspective view of a first embodiment of a medical ultrasonic imaging instrument of the present invention.

FIG. 2 is a front view of the medical ultrasonic imaging instrument of FIG. 1.

FIG. 3 is a left side view of the medical ultrasonic imaging instrument of FIG. 1.

(56) **References Cited**

U.S. PATENT DOCUMENTS

D280,762 S	9/1985	LaCelle et al.	
D286,325 S	10/1986	LaCelle et al.	
4,625,731 A	12/1986	Quedens et al.	
D300,241 S	* 3/1989	LaCelle et al. D24/160
5,129,397 A	7/1992	Jingu et al.	
D354,353 S	* 1/1995	Ishizuka et al. D24/160
D360,690 S	* 7/1995	Murakami D24/160
D365,148 S	* 12/1995	Murakami et al. D24/160
D368,521 S	4/1996	Asai et al.	
5,505,203 A	4/1996	Deitrich et al.	
D379,231 S	5/1997	Ungari	
D387,168 S	* 12/1997	Edelman et al. D24/186
D394,712 S	* 5/1998	Henderson et al. D24/160
D398,059 S	* 9/1998	Kwak D24/160
5,924,988 A	7/1999	Burris et al.	
5,941,824 A	8/1999	Hwang	
6,142,940 A	11/2000	Lathbury et al.	
6,669,639 B1	* 12/2003	Miller et al. 600/443

FIG. 4 is a right side view of the medical ultrasonic imaging instrument of FIG. 1.

FIG. 5 is a rear view of the medical ultrasonic imaging instrument of FIG. 1.

FIG. 6 is a top view of the medical ultrasonic imaging instrument of FIG. 1.

FIG. 7 is a forward perspective view of a second embodiment of a medical ultrasonic imaging instrument of the present invention.

FIG. 8 is a front view of the medical ultrasonic imaging instrument of FIG. 7.

FIG. 9 is a rear view of the medical ultrasonic imaging instrument of FIG. 1.

FIG. 10 is a left side view of the medical ultrasonic imaging instrument of FIG. 7.

FIG. 11 is a right side view of the medical ultrasonic imaging instrument of FIG. 7; and,

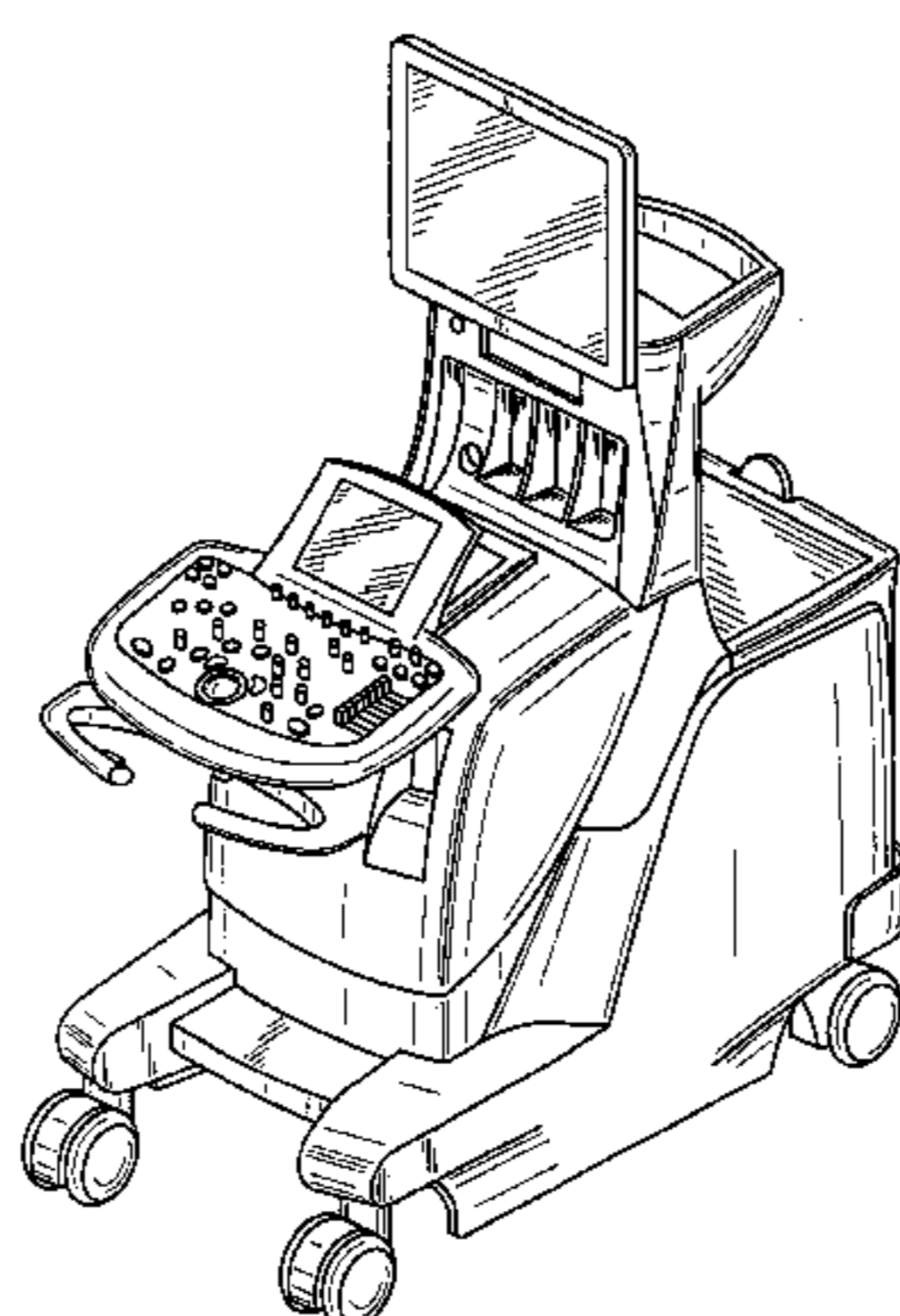
FIG. 12 is a top view of the medical ultrasonic imaging instrument of FIG. 7.

OTHER PUBLICATIONS

Philips, "Product Fact Sheets," various, US.

* cited by examiner

1 Claim, 12 Drawing Sheets



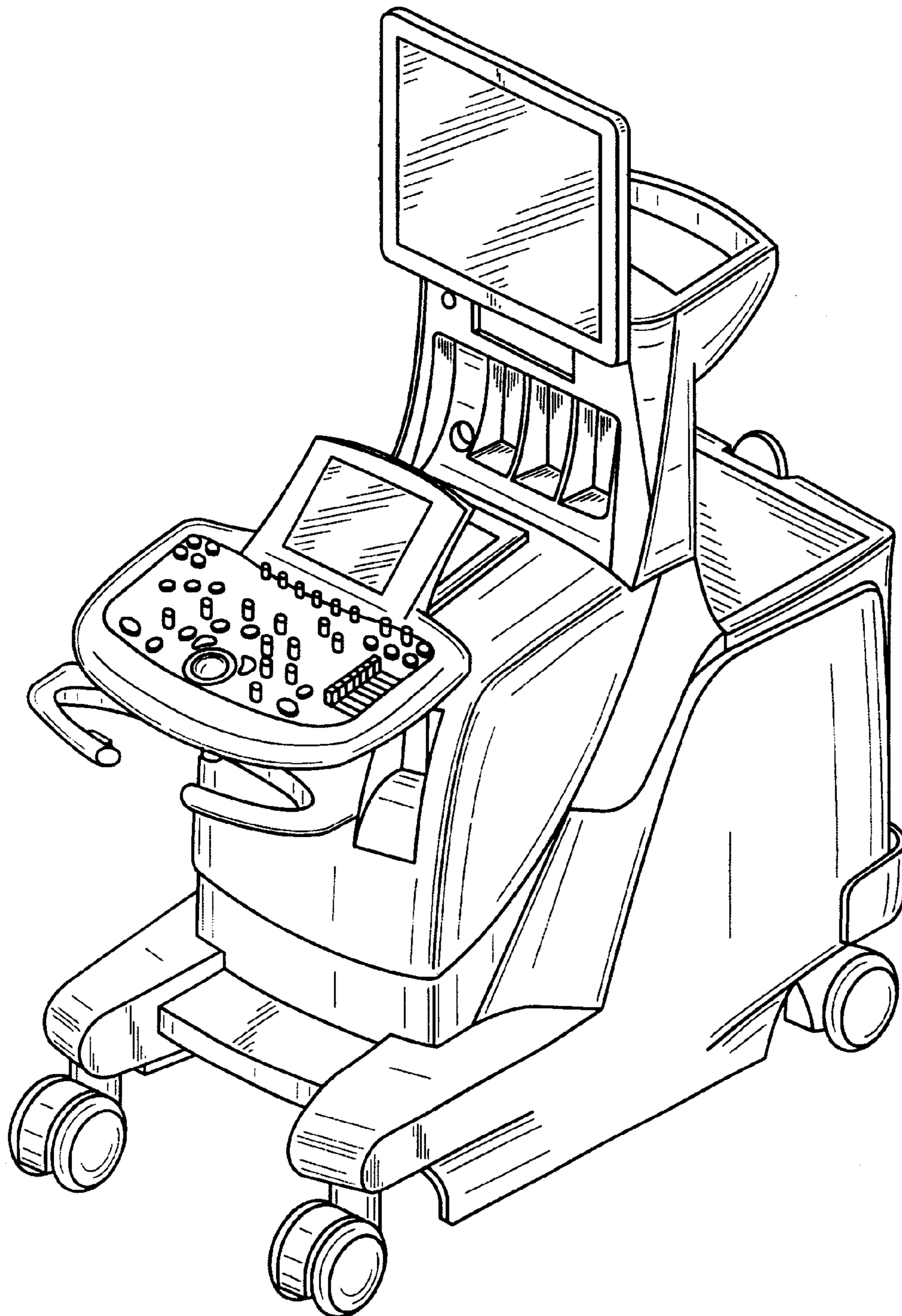


FIG. 1

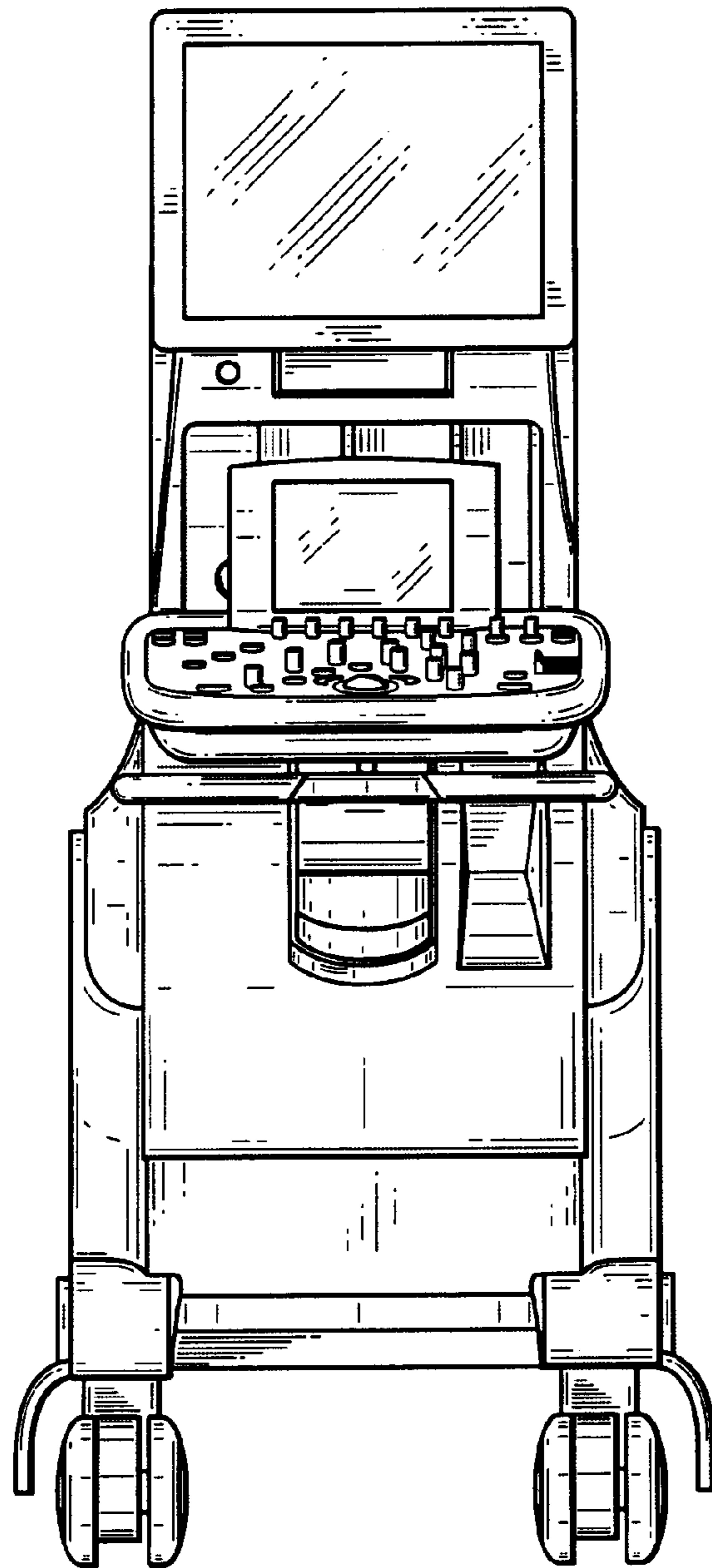


FIG. 2

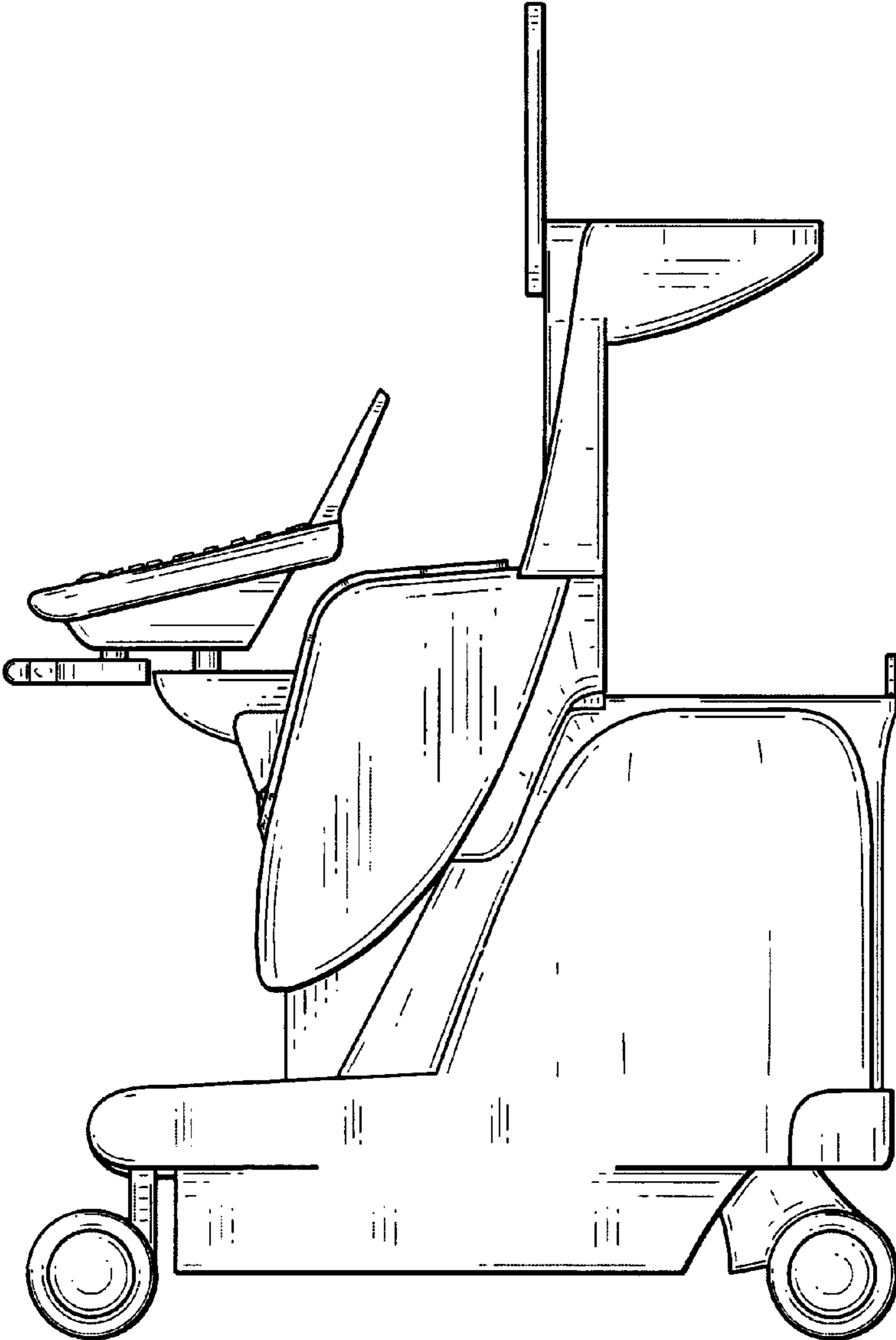


FIG. 3

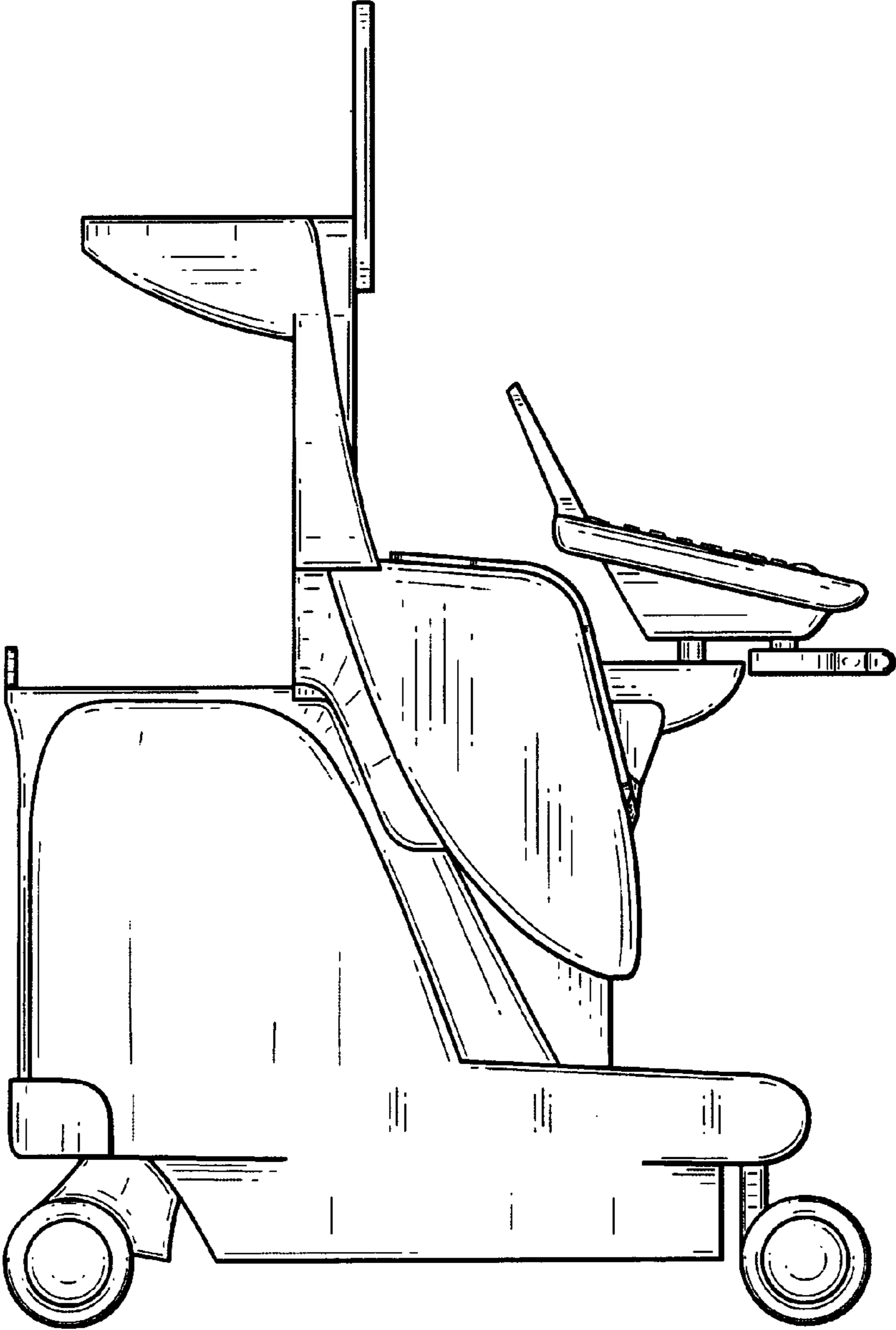


FIG. 4

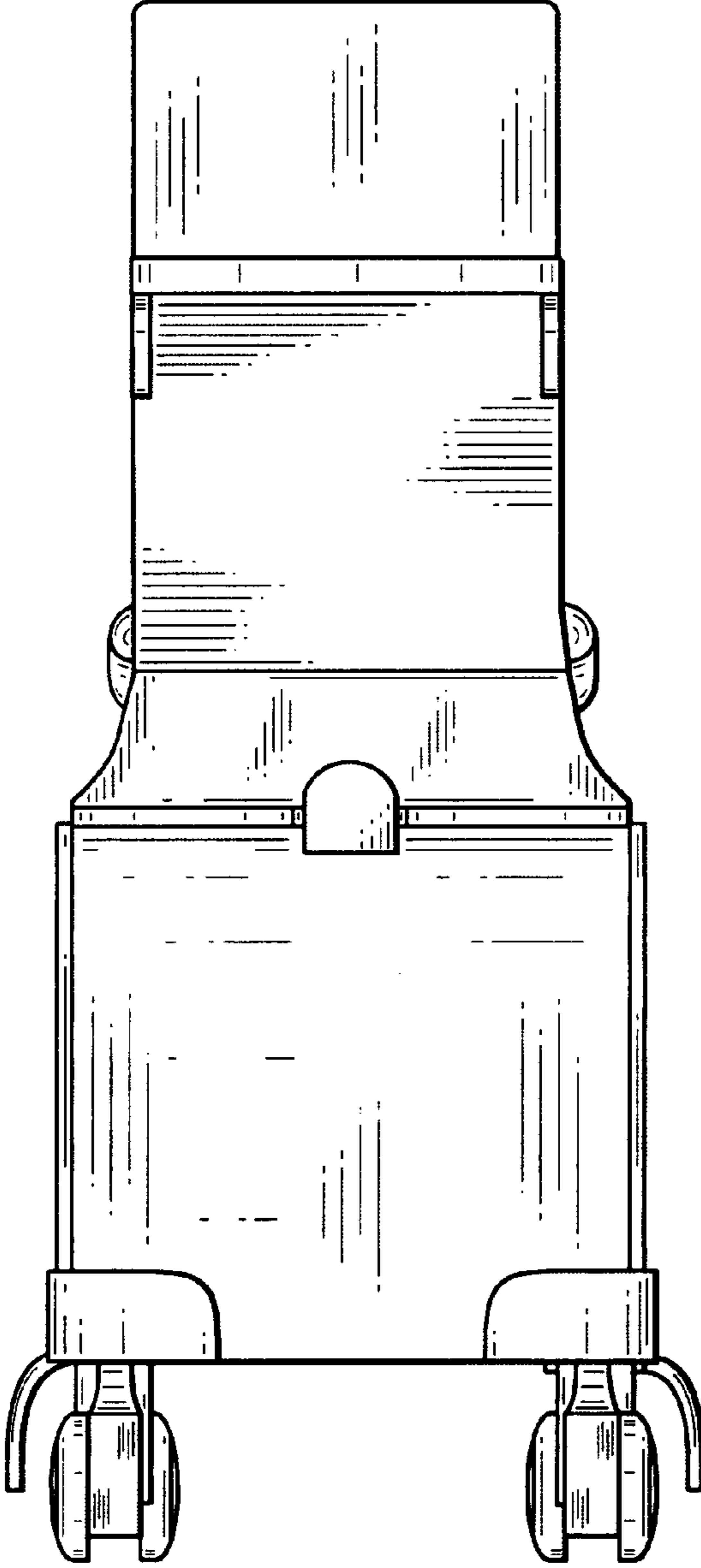


FIG. 5

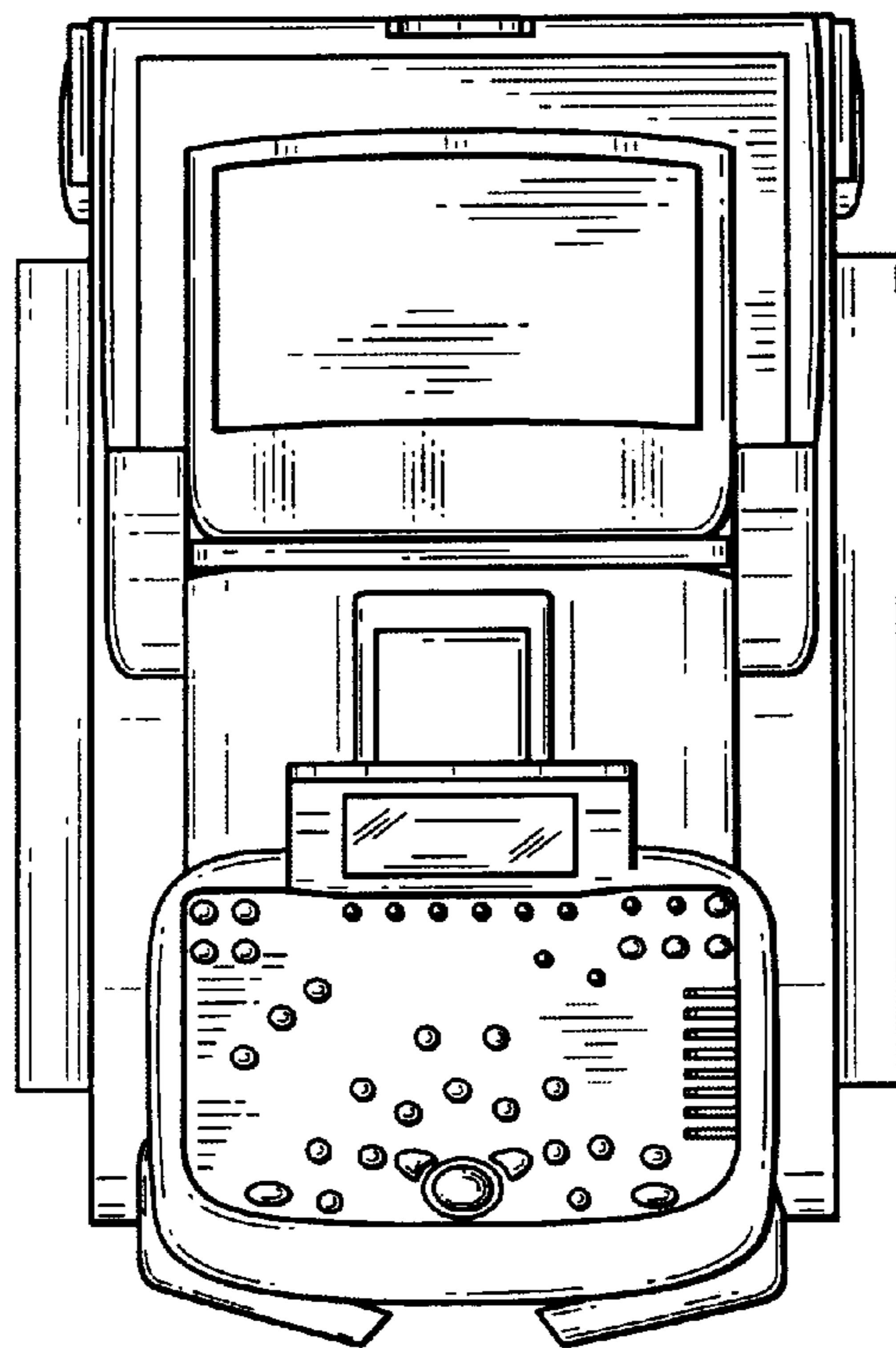


FIG. 6

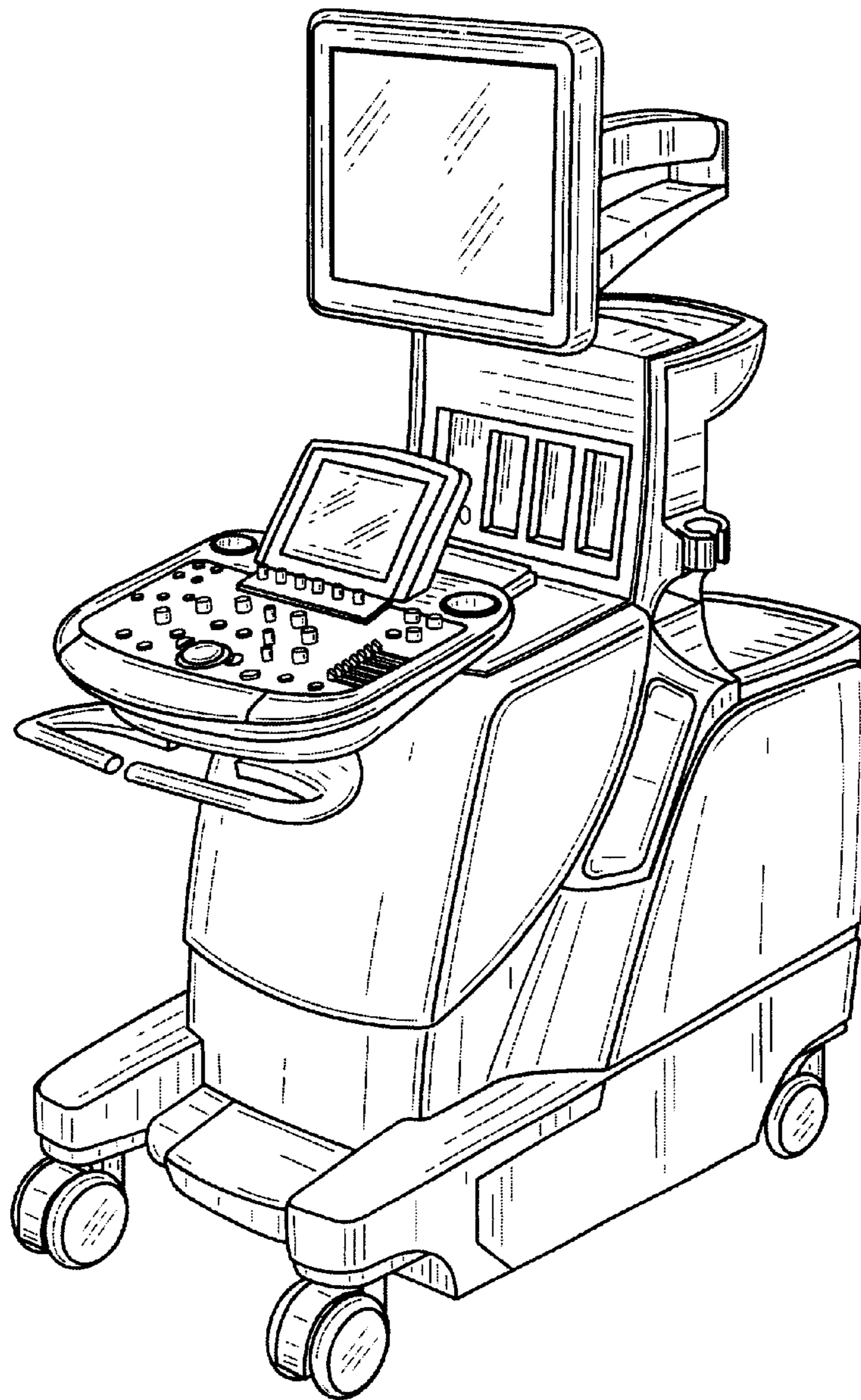


FIG. 7

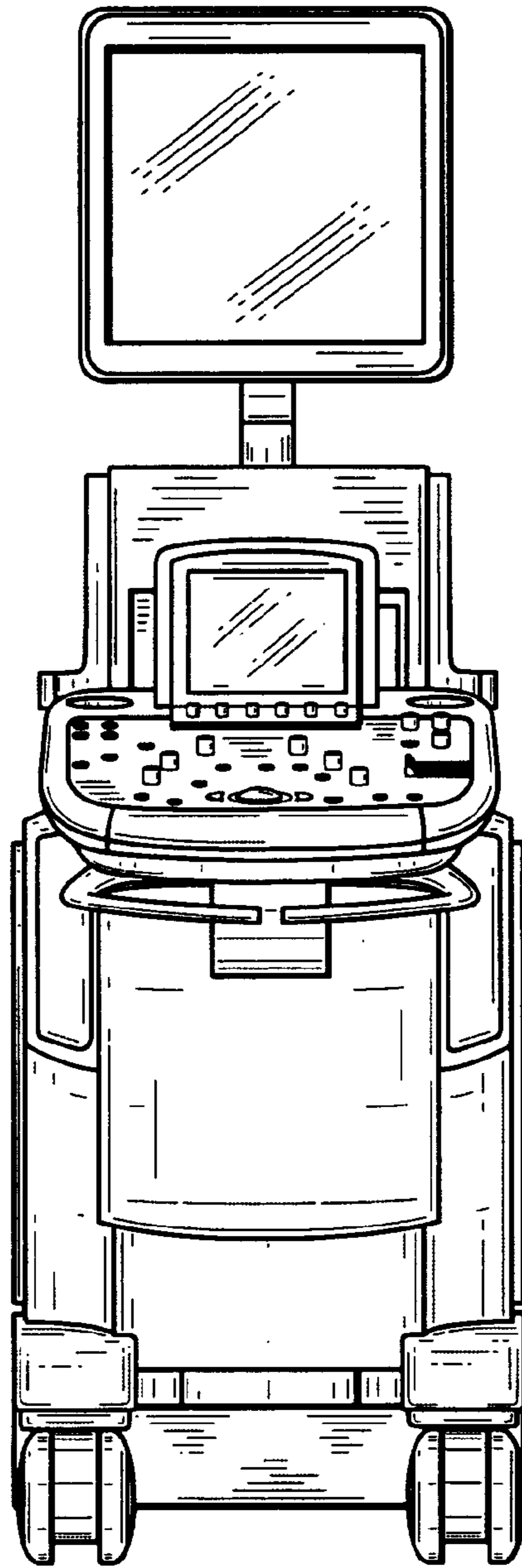


FIG. 8

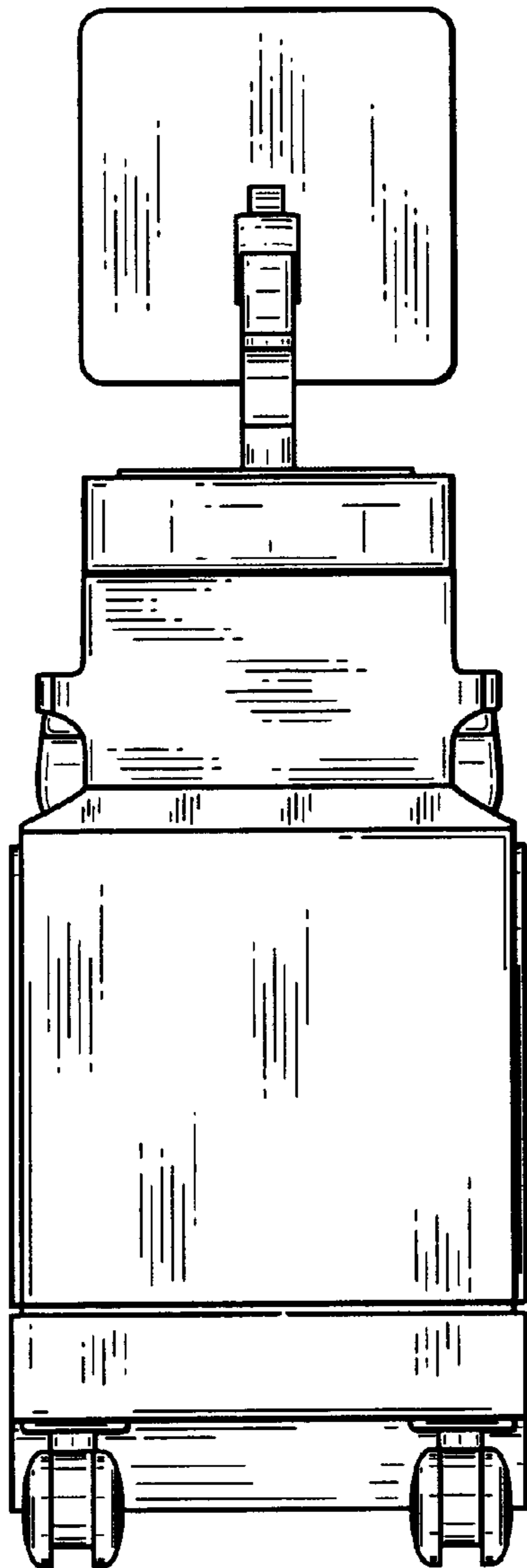


FIG. 9

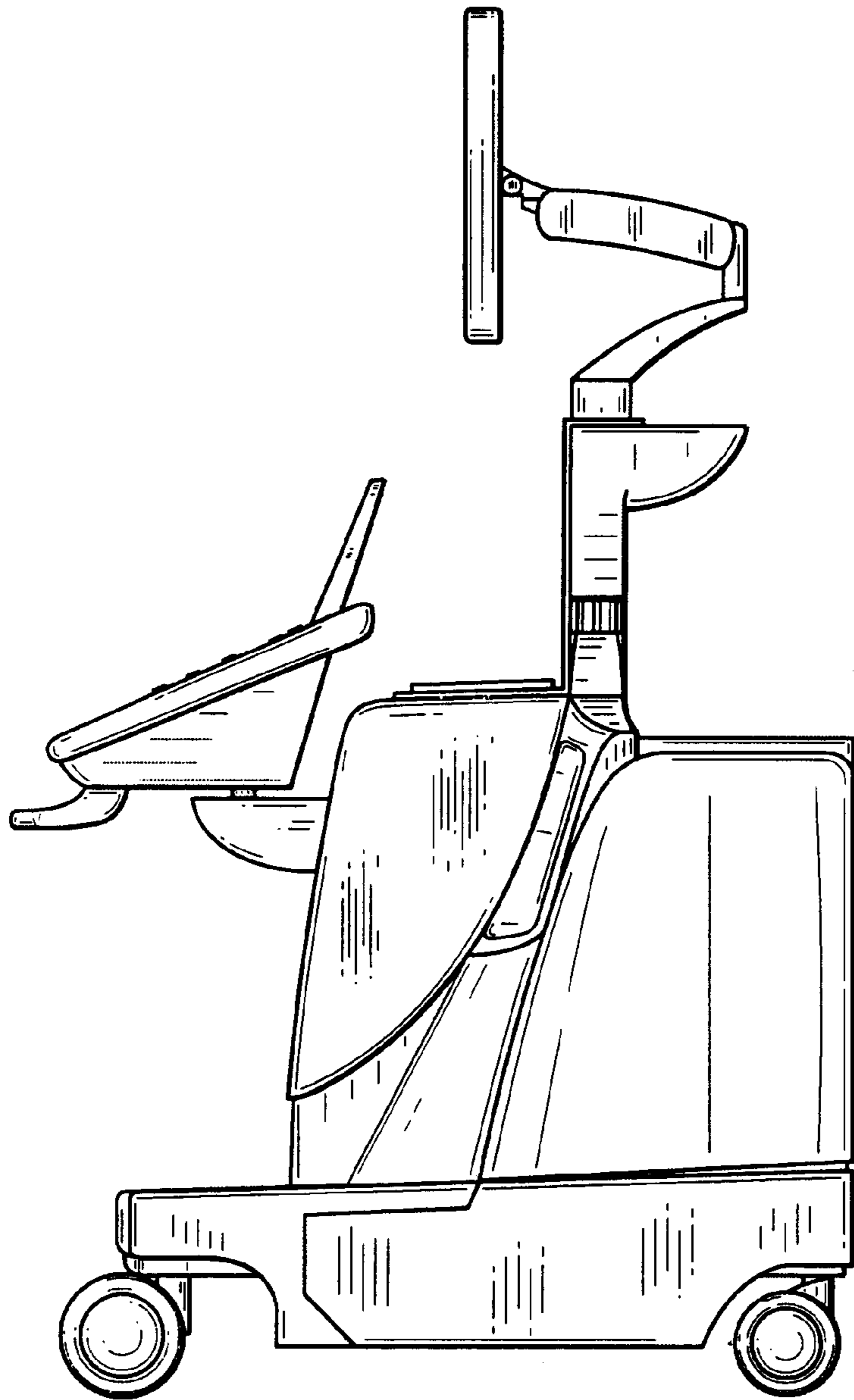


FIG. 10

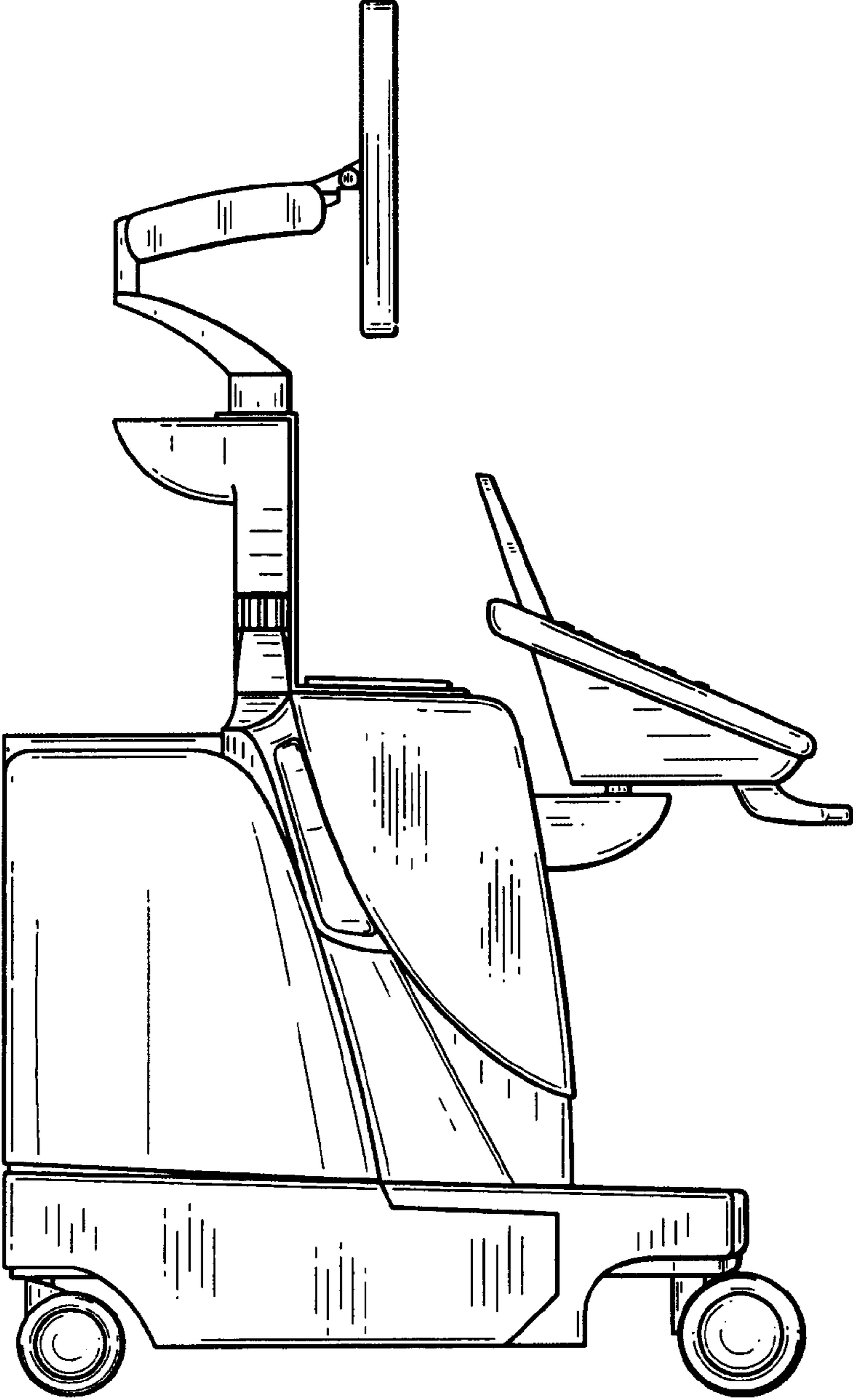


FIG. 11

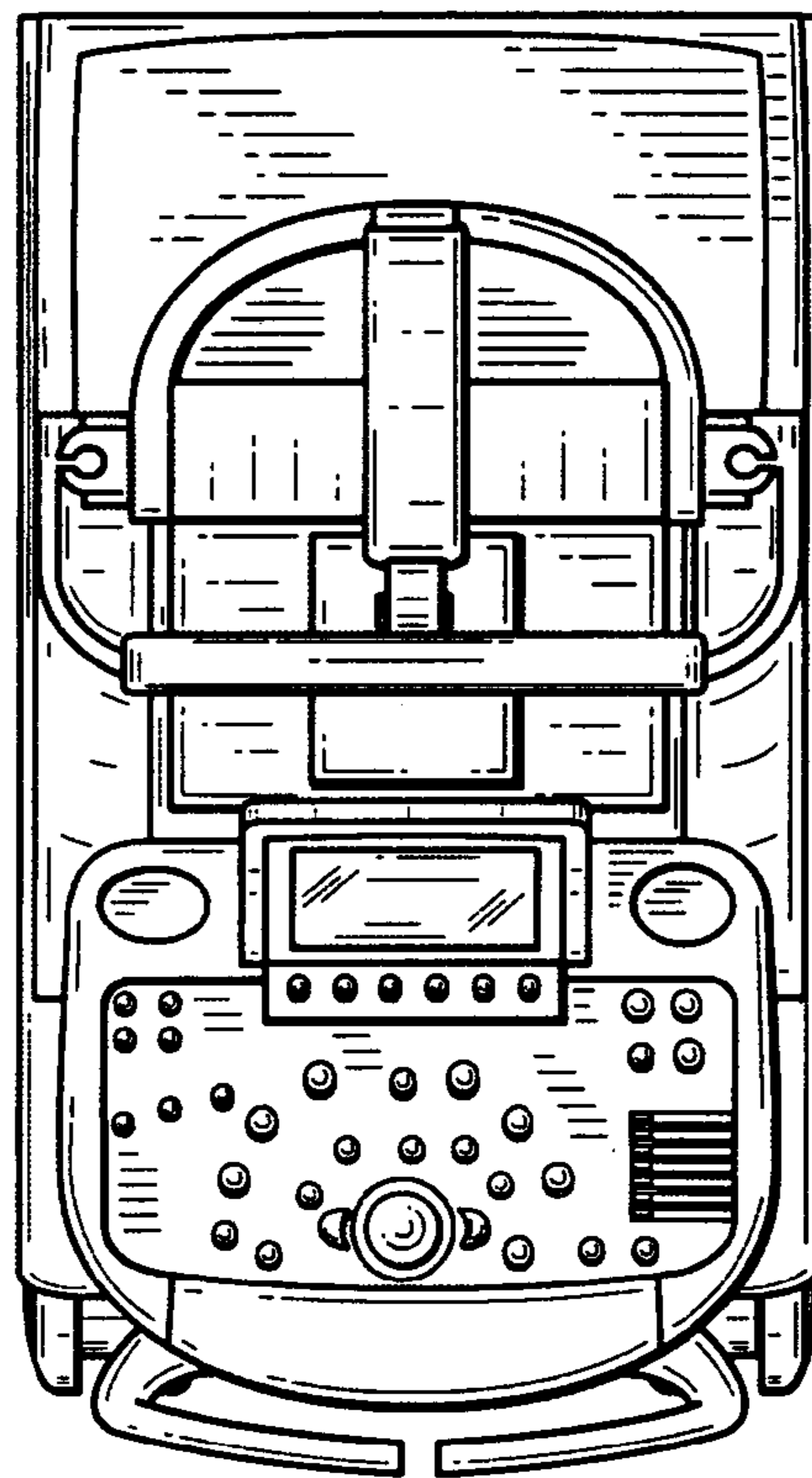


FIG. 12