



US00D512501S

(12) **United States Design Patent**  
**Wilson, Jr.**

(10) **Patent No.: US D512,501 S**  
(45) **Date of Patent: \*\* Dec. 6, 2005**

(54) **BODY OF A HORIZONTAL BLOWER FAN**

*Primary Examiner—Lisa Lichtenstein*  
(74) *Attorney, Agent, or Firm—RatnerPrestia*

(75) Inventor: **Rodney A. Wilson, Jr.**, Boothwyn, PA  
(US)

(57) **CLAIM**

(73) Assignee: **Lasko Holdings, Inc.**, Wilmington, DE  
(US)

The ornamental design for a body of a horizontal blower fan,  
as shown and described.

(\*\*) Term: **14 Years**

**DESCRIPTION**

(21) Appl. No.: **29/210,256**

FIG. 1 is a right side front perspective view of a horizontal  
desktop blower showing my new design;  
FIG. 2 is a rear perspective view thereof;  
FIG. 3 is a front elevation view thereof;  
FIG. 4 is a side elevation view thereof, the opposite side  
being a mirror image of that shown;  
FIG. 5 is a rear elevation view thereof; and,  
FIG. 6 is a top plan view thereof.

(22) Filed: **Jul. 28, 2004**

(51) **LOC (8) Cl. .... 23-04**

(52) **U.S. Cl. .... D23/383**

(58) **Field of Search .... D23/383, 370;**  
415/204, 206, 213.1, 214.1

The broken line showing of environmental structure in  
FIGS. 1–6 is for illustrative purposes only and forms no part  
of the claimed design.

(56) **References Cited**

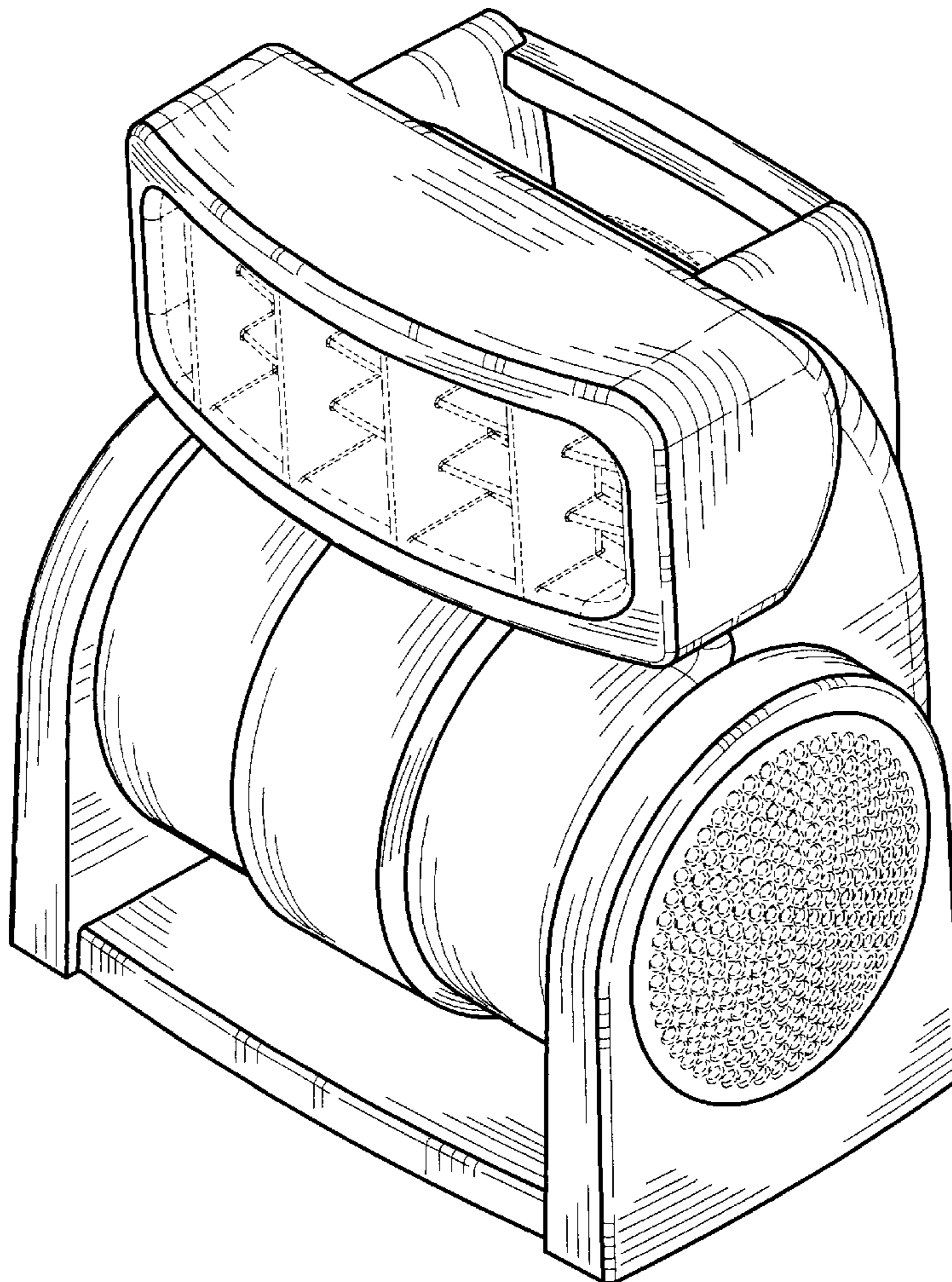
**U.S. PATENT DOCUMENTS**

D219,588 S \* 12/1970 Laupot ..... D23/370

D503,788 S \* 4/2005 Wang et al. .... D23/383

\* cited by examiner

**1 Claim, 6 Drawing Sheets**



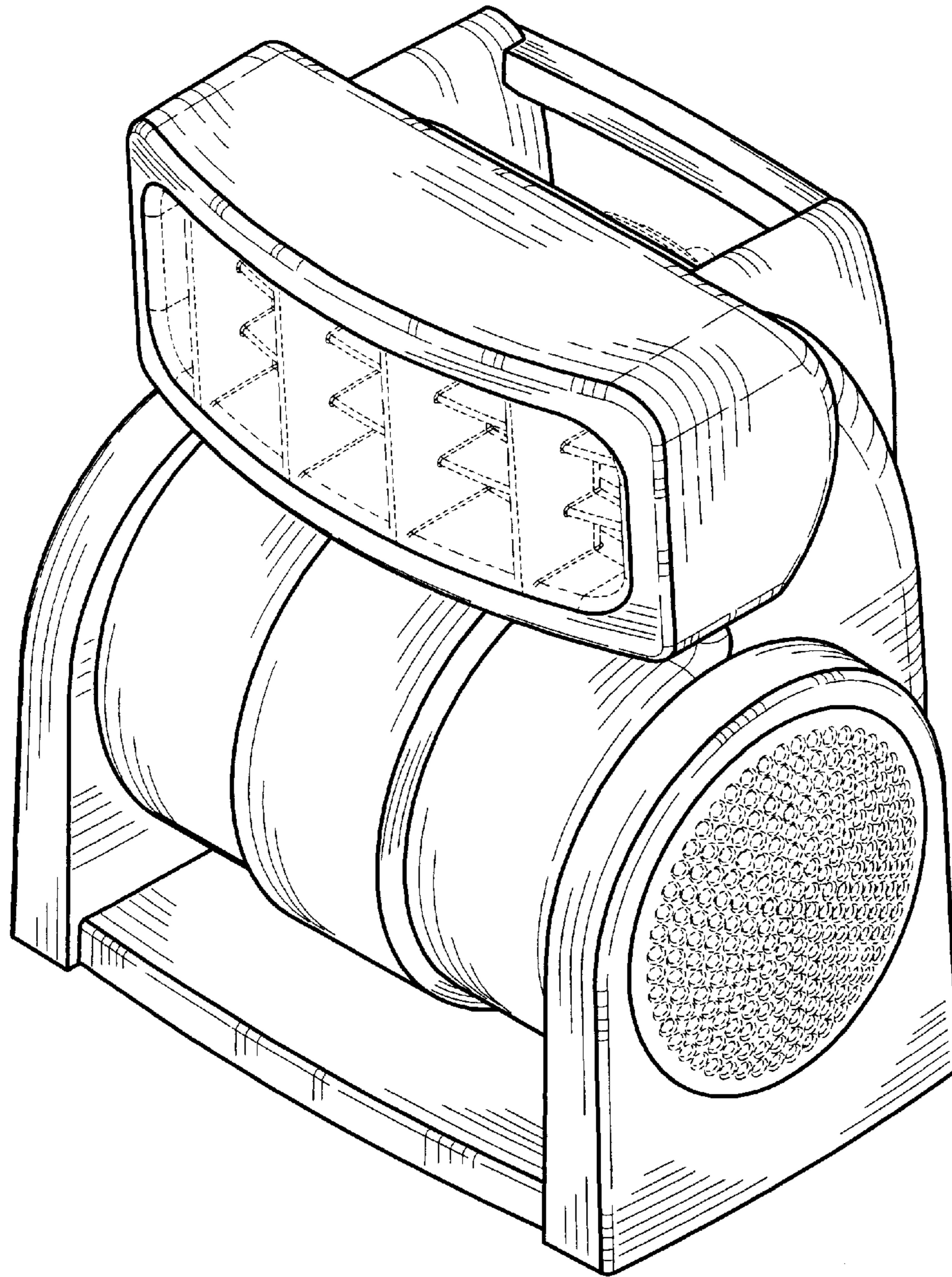


FIG. 1

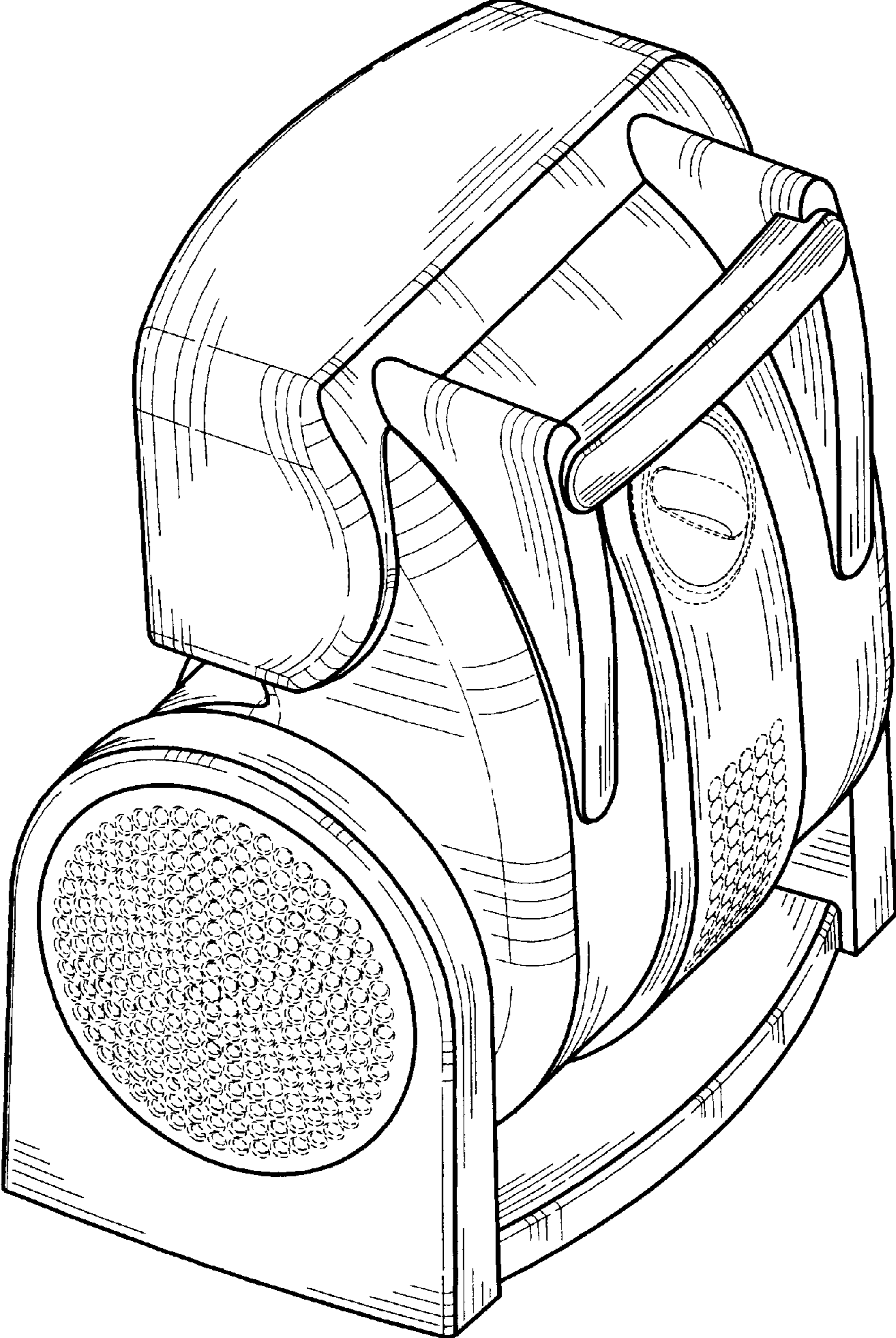


FIG. 2

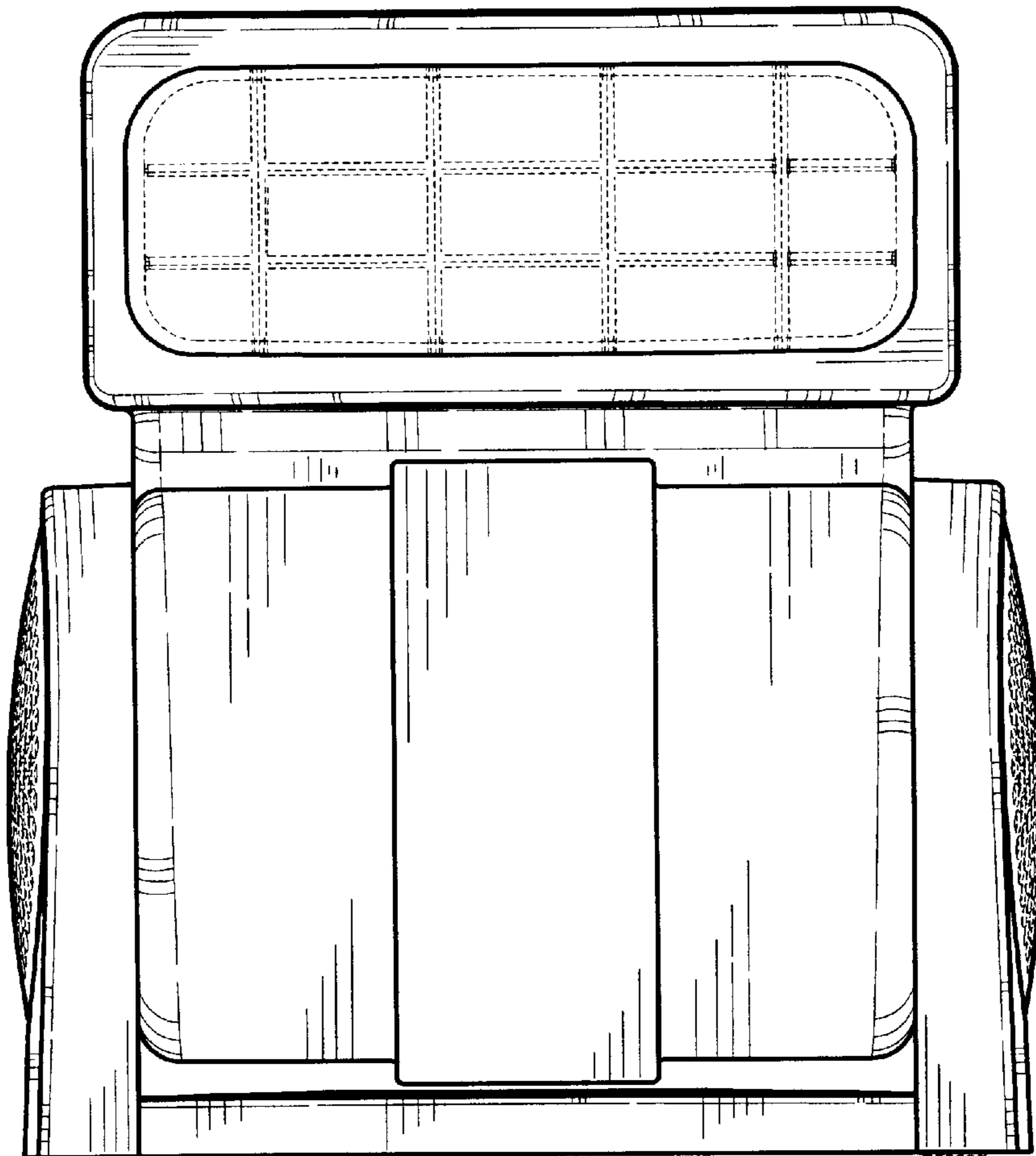


FIG. 3

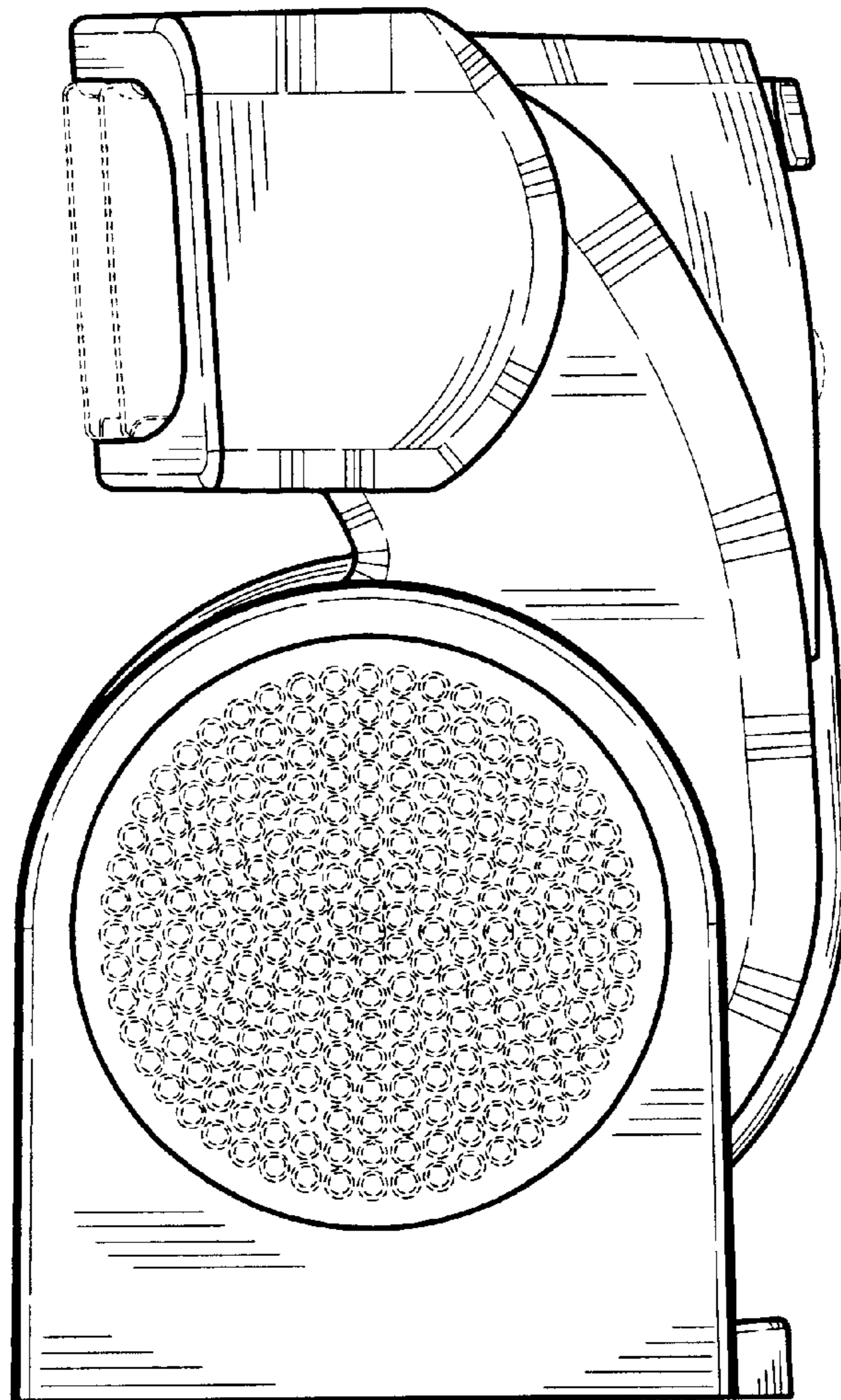


FIG. 4

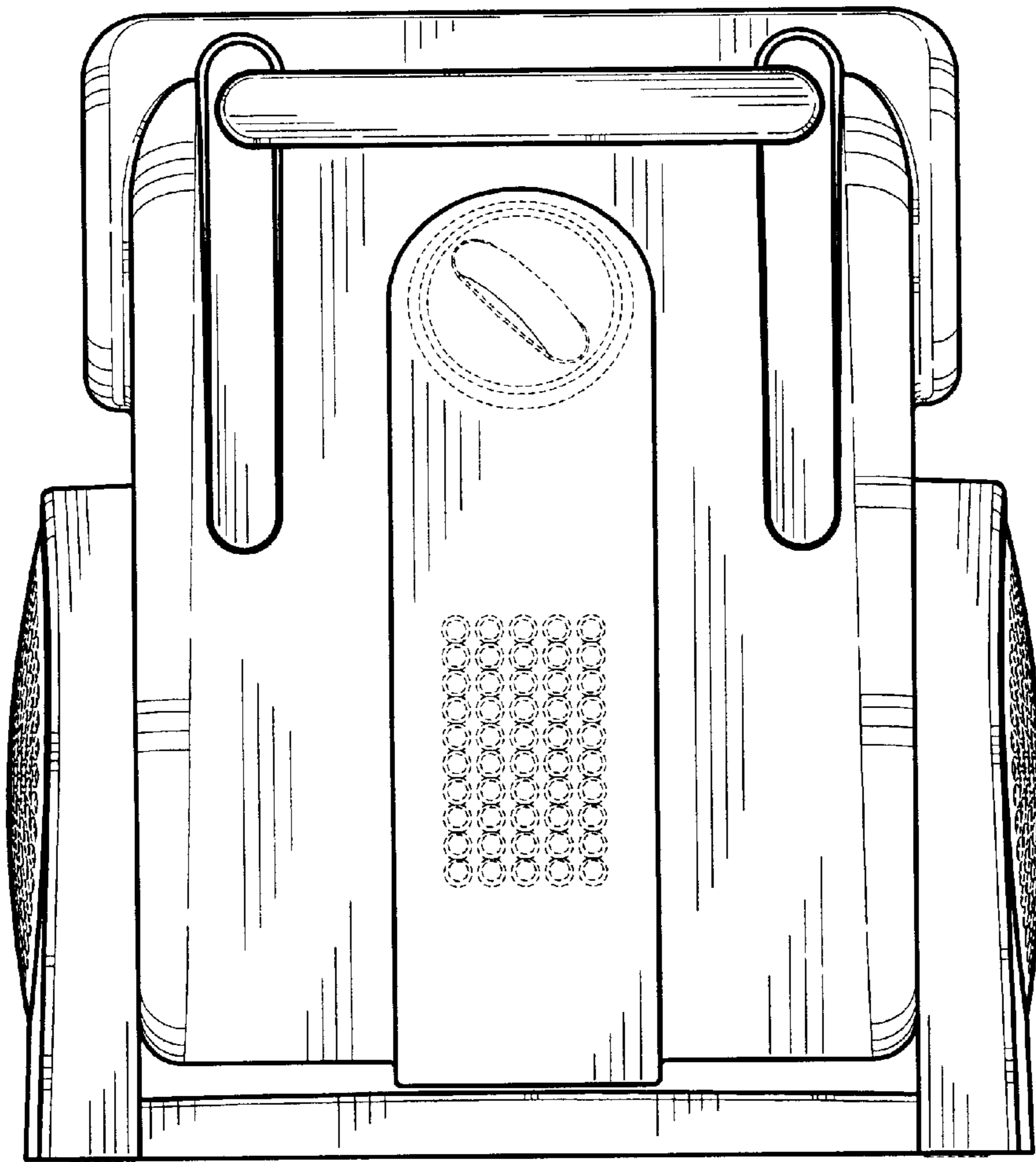


FIG. 5

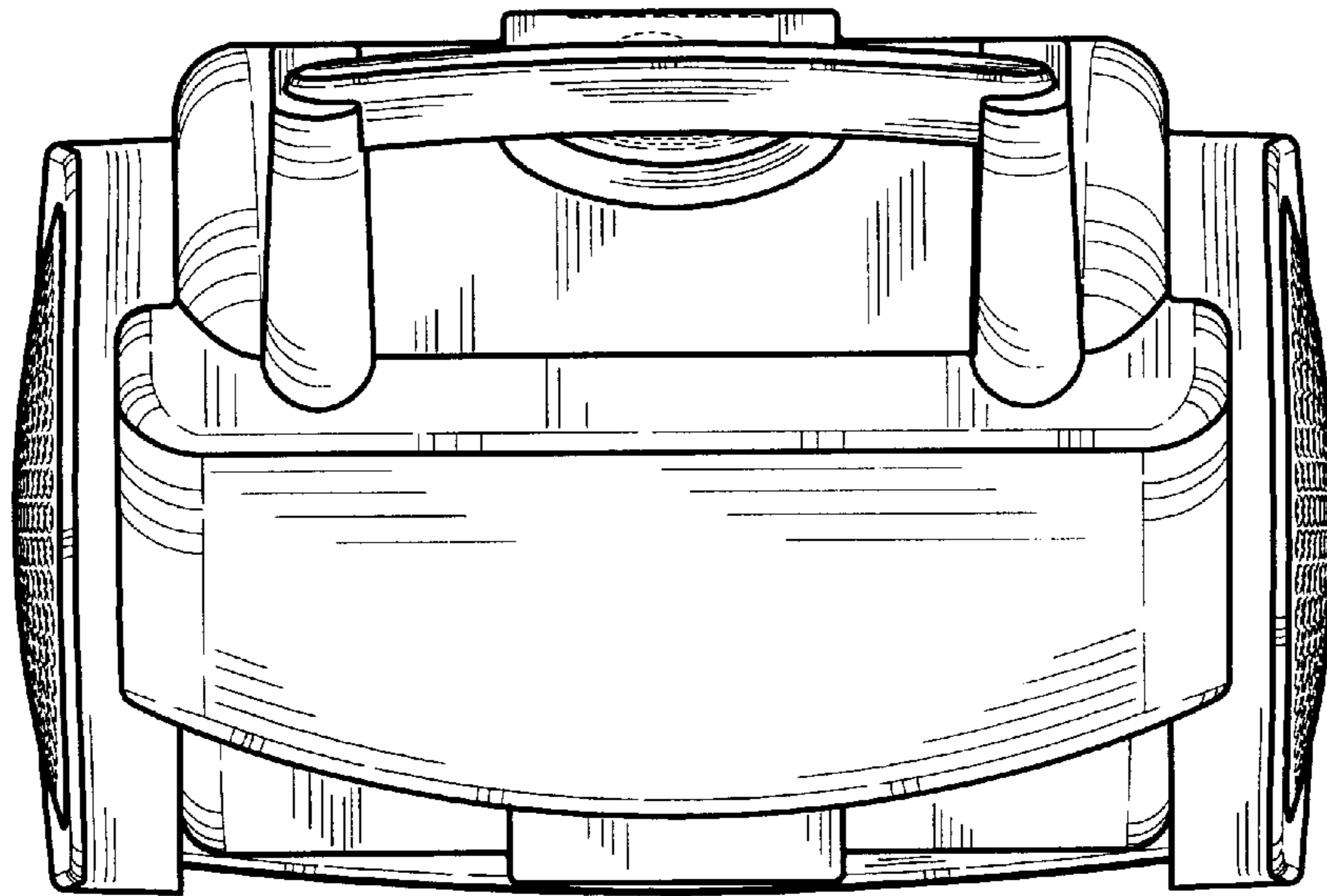


FIG. 6