

US00D512500S

(12) **United States Design Patent**
Wilson, Jr.

(10) **Patent No.:** **US D512,500 S**
(45) **Date of Patent:** **** Dec. 6, 2005**

(54) **BODY OF A HORIZONTAL BLOWER FAN**

D503,788 S * 4/2005 Wang et al. D23/383

(75) Inventor: **Rodney A. Wilson, Jr.**, Boothwyn, PA
(US)

* cited by examiner

Primary Examiner—Lisa Lichtenstein

(73) Assignee: **Lasko Holdings, Inc.**, Wilmington, DE
(US)

(74) *Attorney, Agent, or Firm*—RatnerPrestia

(**) Term: **14 Years**

(57) **CLAIM**

The ornamental design for a body of a horizontal blower fan,
as shown and described.

(21) Appl. No.: **29/205,750**

DESCRIPTION

(22) Filed: **May 20, 2004**

(51) **LOC (8) Cl.** **23-04**

(52) **U.S. Cl.** **D23/383**

(58) **Field of Search** D23/383, 370;
415/204, 206, 213.1, 214.1

FIG. 1 is a right side front perspective view of a body of a
horizontal blower fan showing my new design;
FIG. 2 is a rear perspective view thereof;
FIG. 3 is a front elevation view thereof;
FIG. 4 is a side elevation view thereof, the opposite side
being a mirror image of that shown;
FIG. 5 is a rear elevation view thereof; and,
FIG. 6 is a top plan view thereof.

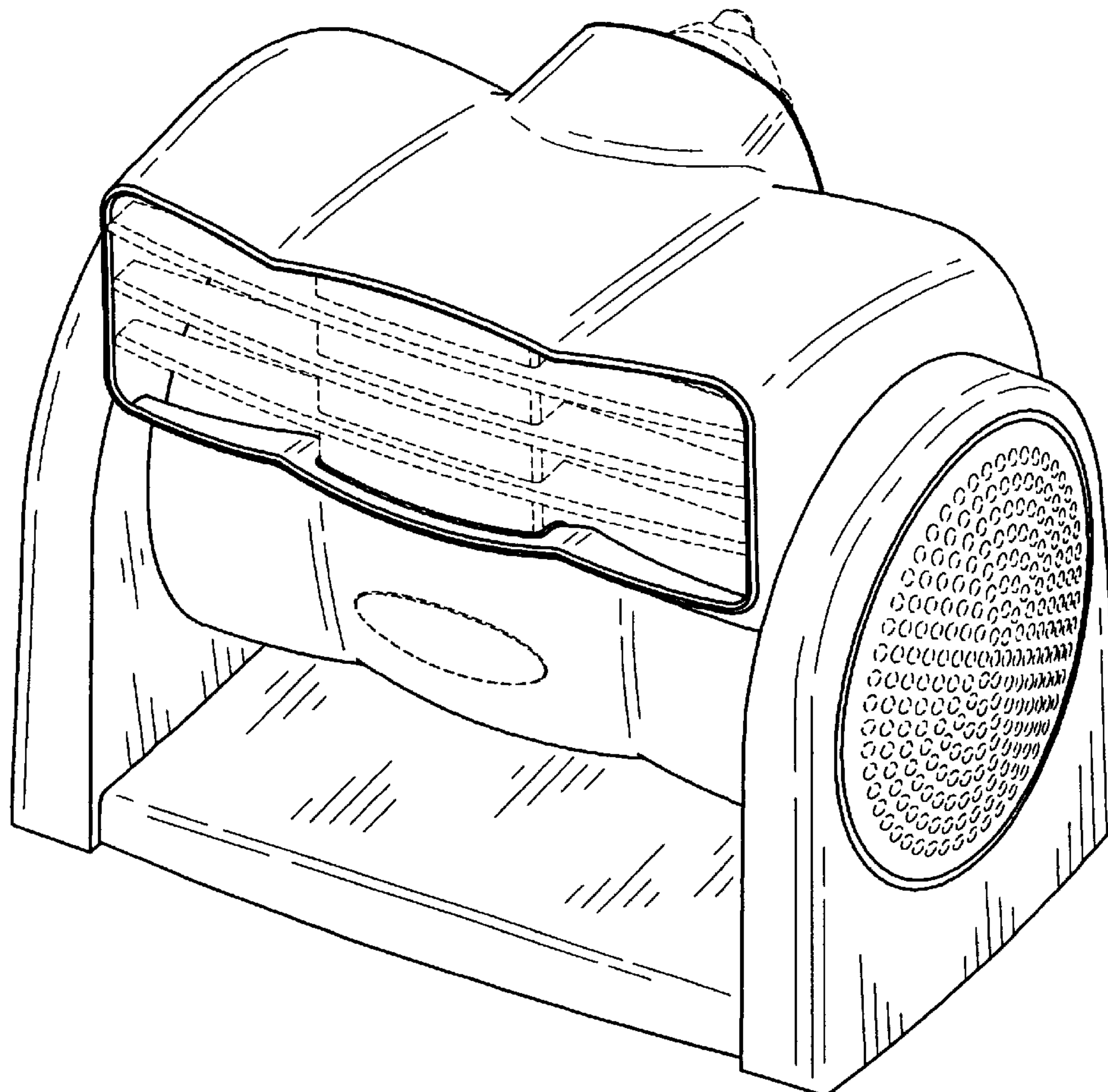
The broken line showing of environmental structure in
FIGS. 1–6 is for illustrative purposes only and forms no part
of the claimed design.

(56) **References Cited**

U.S. PATENT DOCUMENTS

4,424,006 A	1/1984	Armbruster
4,483,664 A	11/1984	Armbruster
4,954,049 A	9/1990	Armbruster
D482,772 S	11/2003	Dooley

1 Claim, 6 Drawing Sheets



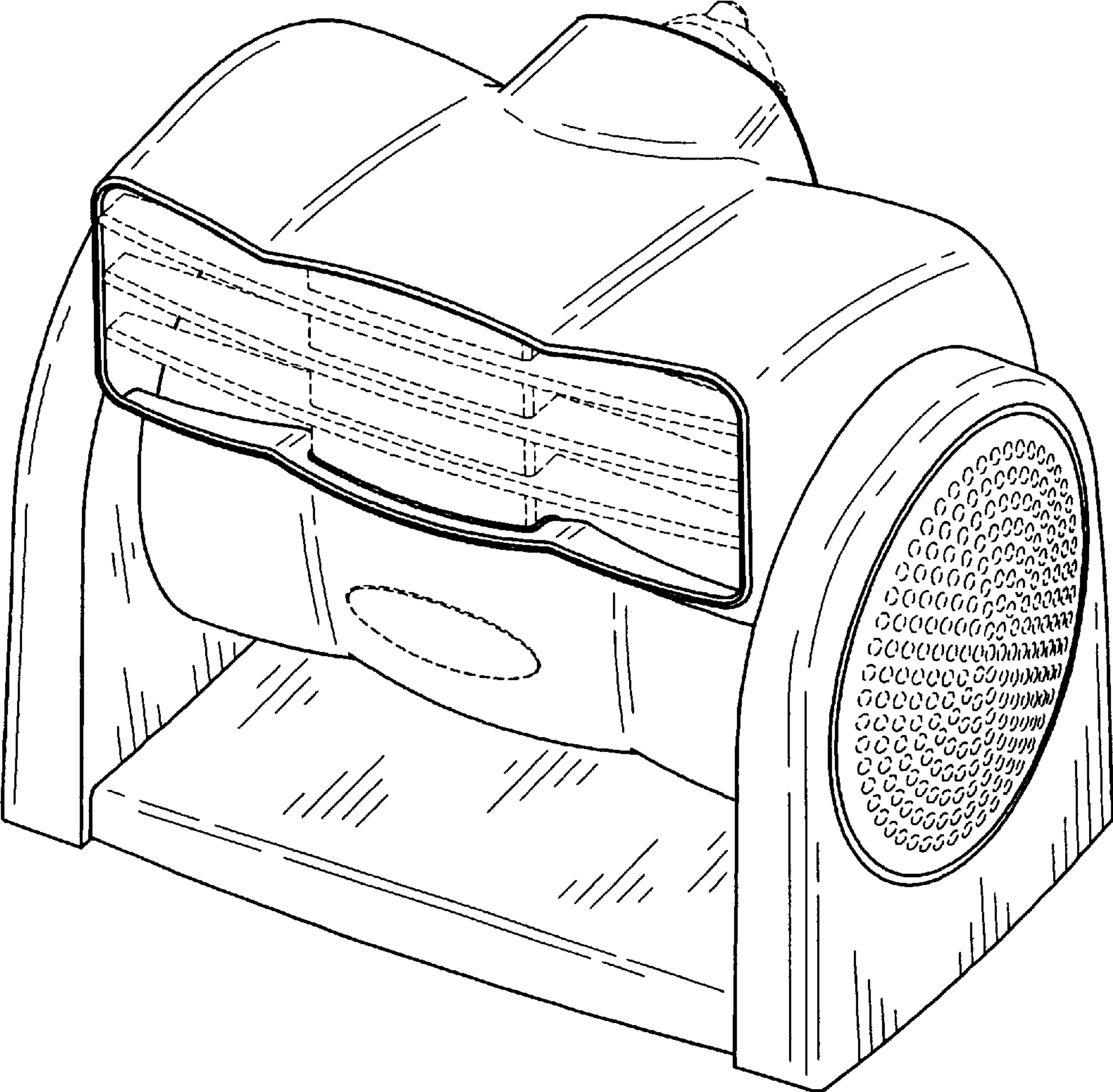


FIG. 1

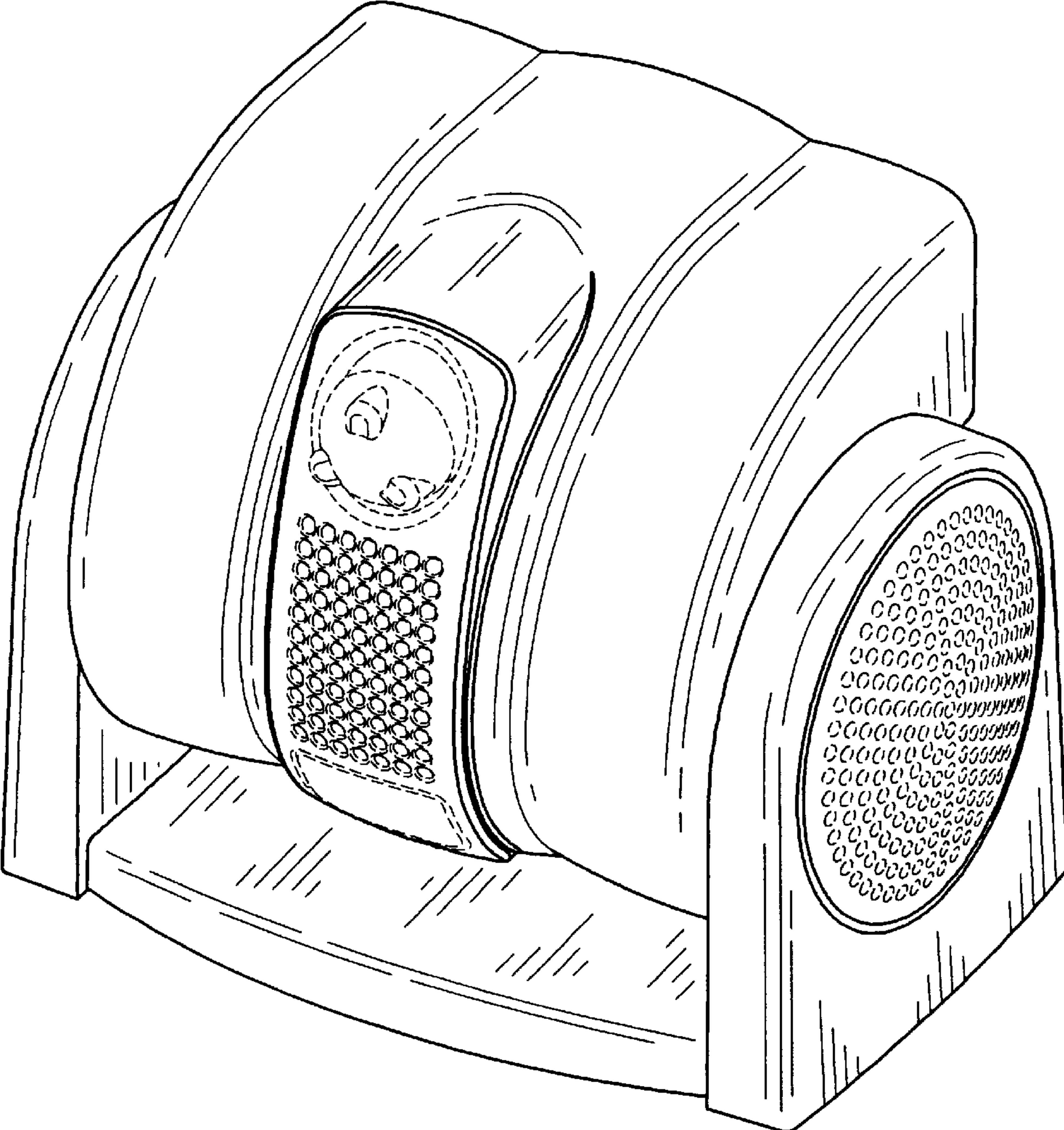


FIG. 2

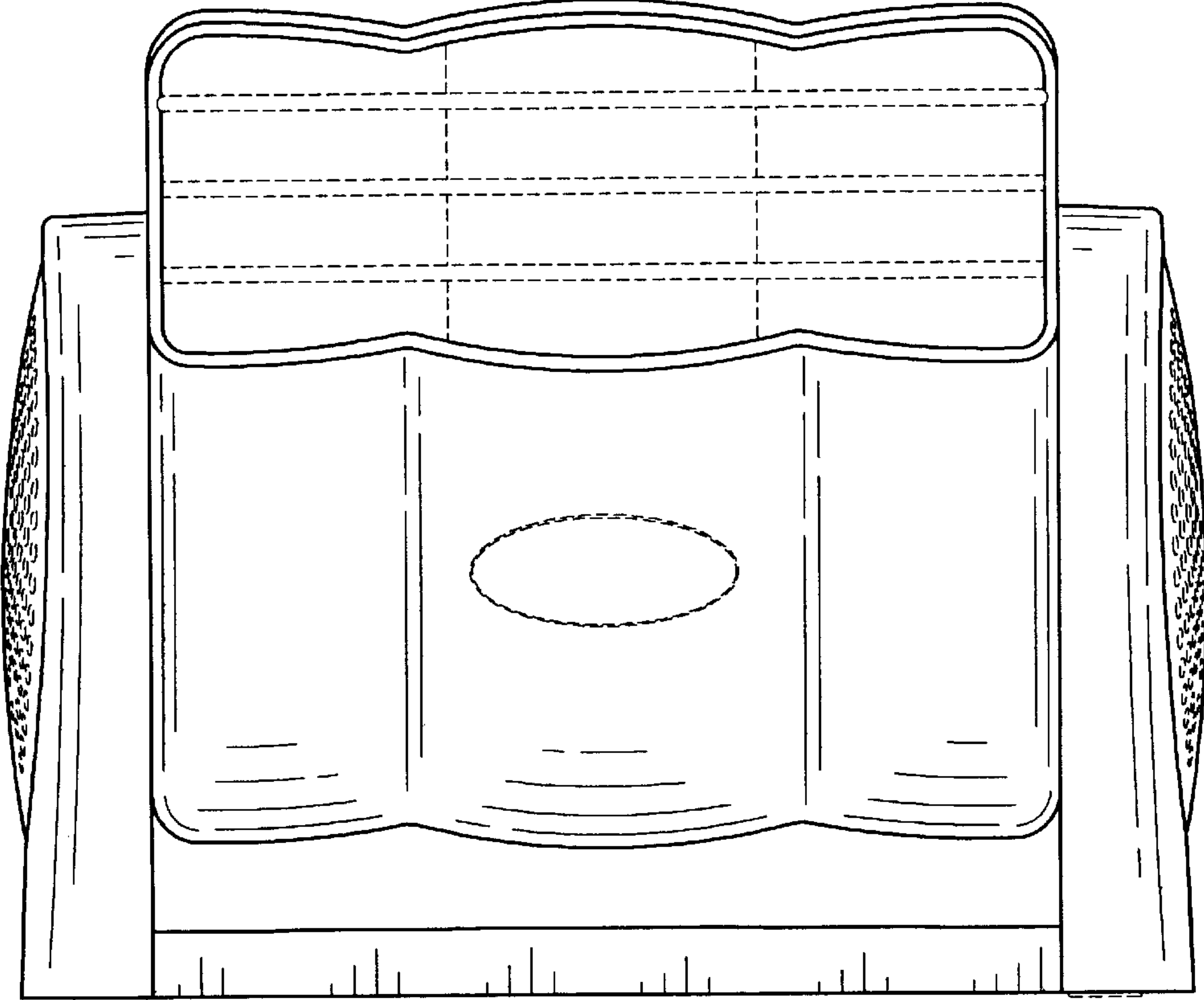


FIG. 3

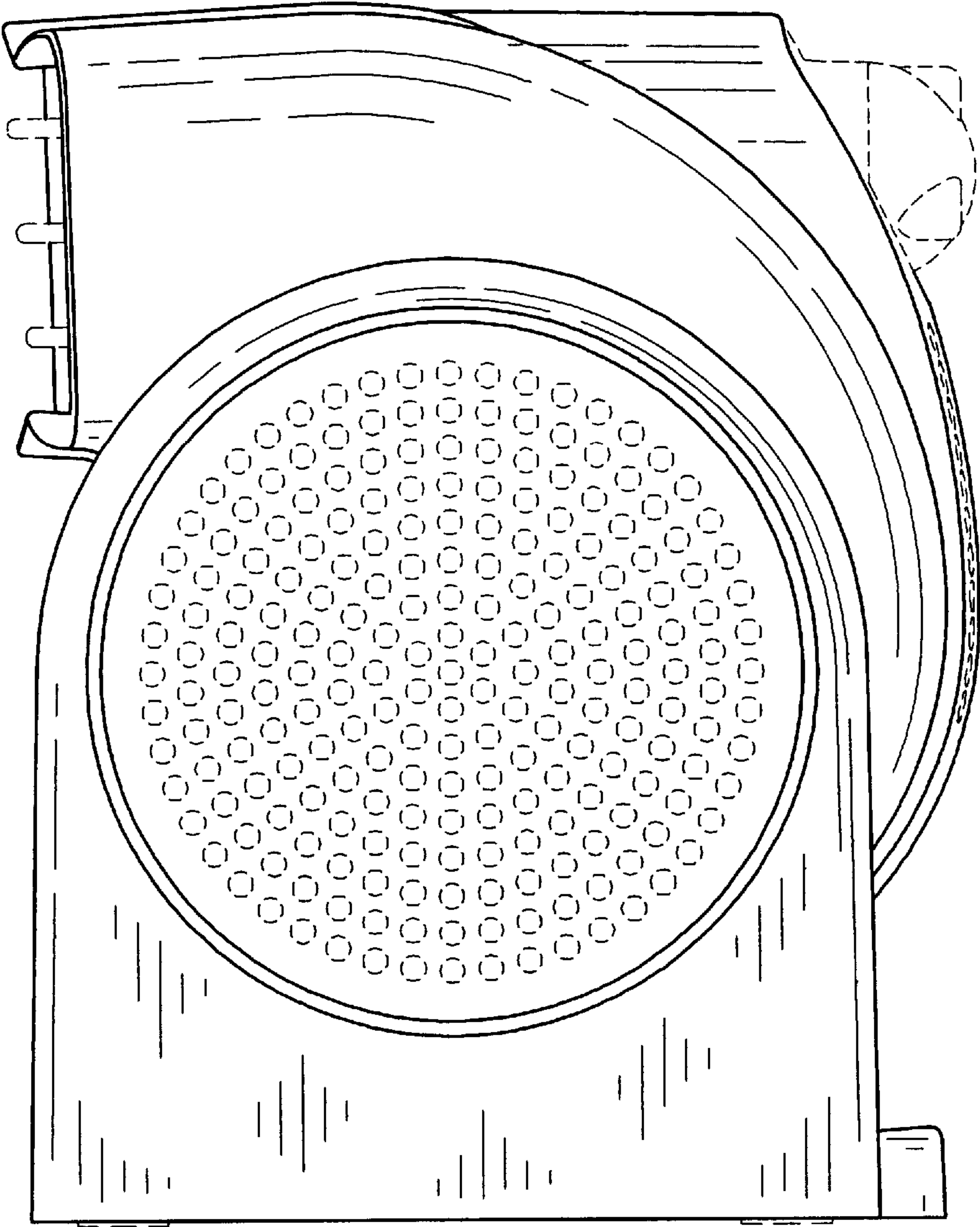


FIG. 4

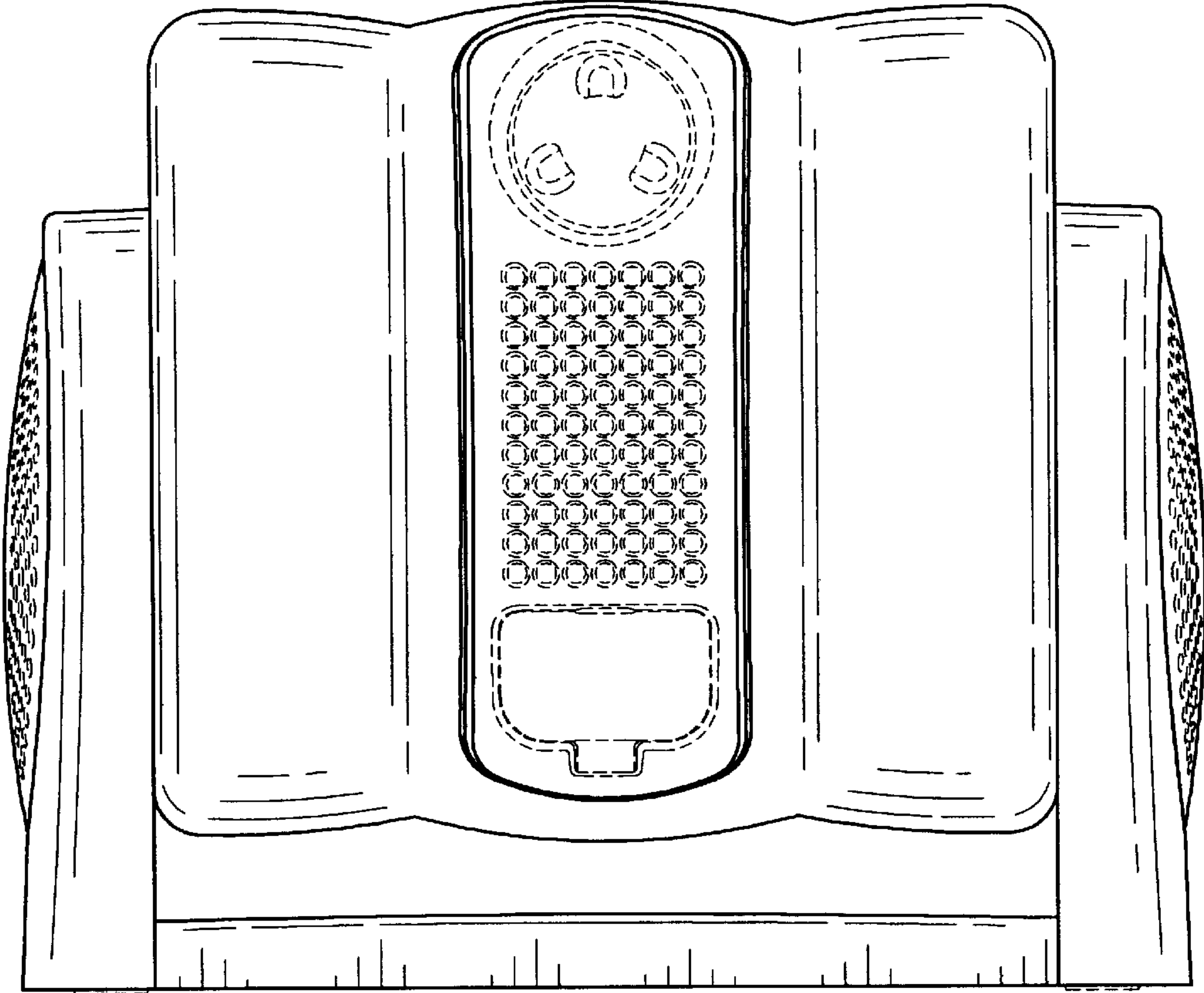


FIG. 5

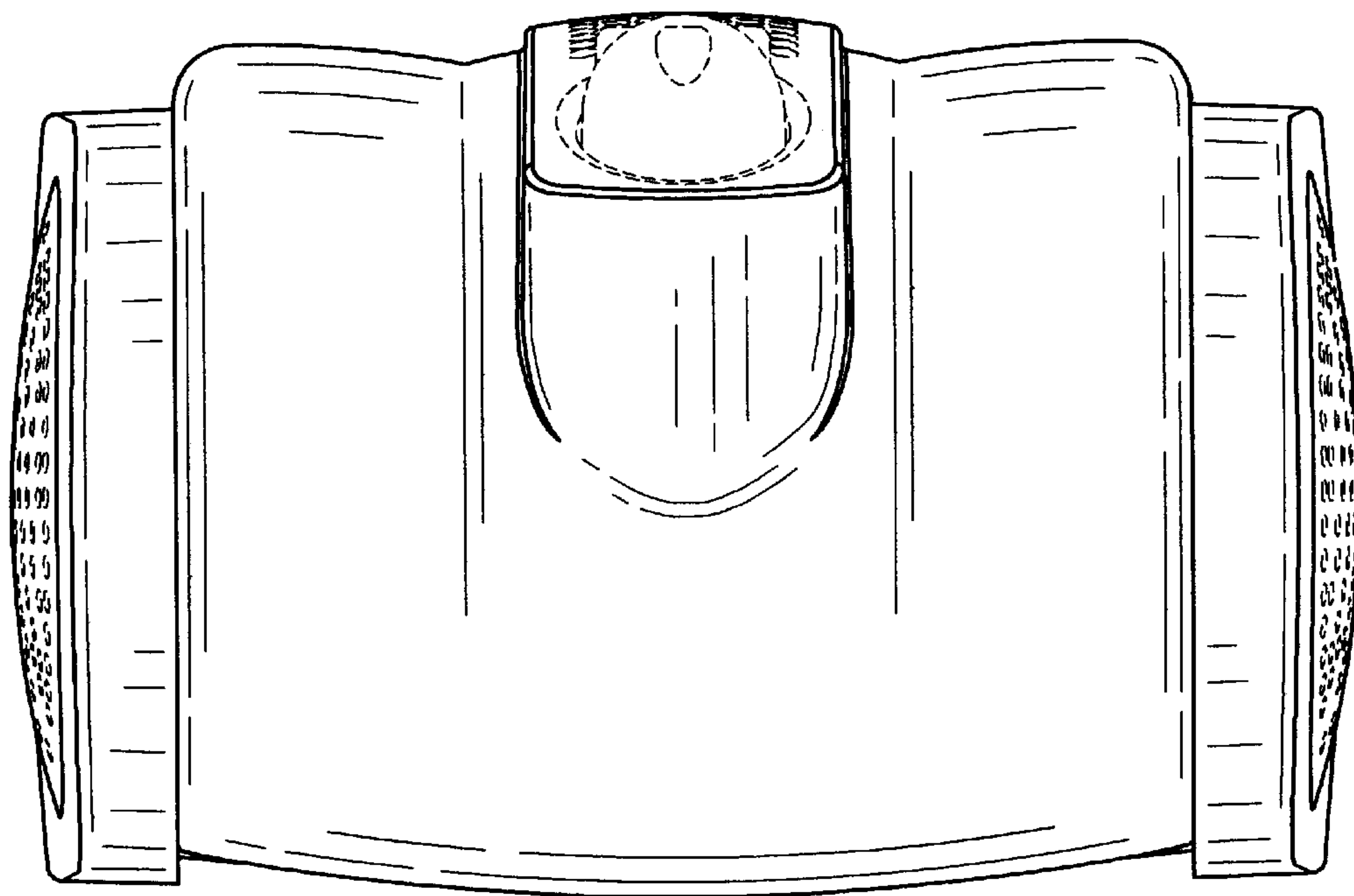


FIG. 6