



US00D512499S

(12) **United States Design Patent**
Li et al.

(10) **Patent No.:** **US D512,499 S**
(45) **Date of Patent:** **** Dec. 6, 2005**

(54) **HEAT DISSIPATING FAN**

D418,216 S * 12/1999 Horng D23/370
6,860,321 B2 * 3/2005 Ji-Hai et al. 165/80.3

(75) Inventors: **Nien-Lun Li**, Hsin-Chuang (TW);
Yun-Yeu Yeh, Hsin-Chuang (TW);
Hzen-Hsing Lee, Hsin-Chuang (TW);
Yi-Peng Hung, Hsin-Chuang (TW)

* cited by examiner

Primary Examiner—Lisa Lichtenstein
(74) *Attorney, Agent, or Firm*—Troxell Law Office, PLLC

(73) Assignee: **Datech Technology Co., Ltd.**, Taipei
Hsien (TW)

(57) **CLAIM**

(**) Term: **14 Years**

The ornamental design for a heat dissipating fan, as shown.

(21) Appl. No.: **29/189,023**

DESCRIPTION

(22) Filed: **Aug. 28, 2003**

FIG. 1 is a perspective view of a heat dissipating fan, in accordance with the present invention;
FIG. 2 is a front elevational view thereof;
FIG. 3 is a rear elevational view thereof;
FIG. 4 is a left side elevational view thereof;
FIG. 5 is a right side elevational view thereof;
FIG. 6 is a top plan view thereof; and,
FIG. 7 is a bottom plan view thereof.

(51) **LOC (8) Cl.** **23-04**

(52) **U.S. Cl.** **D23/379**

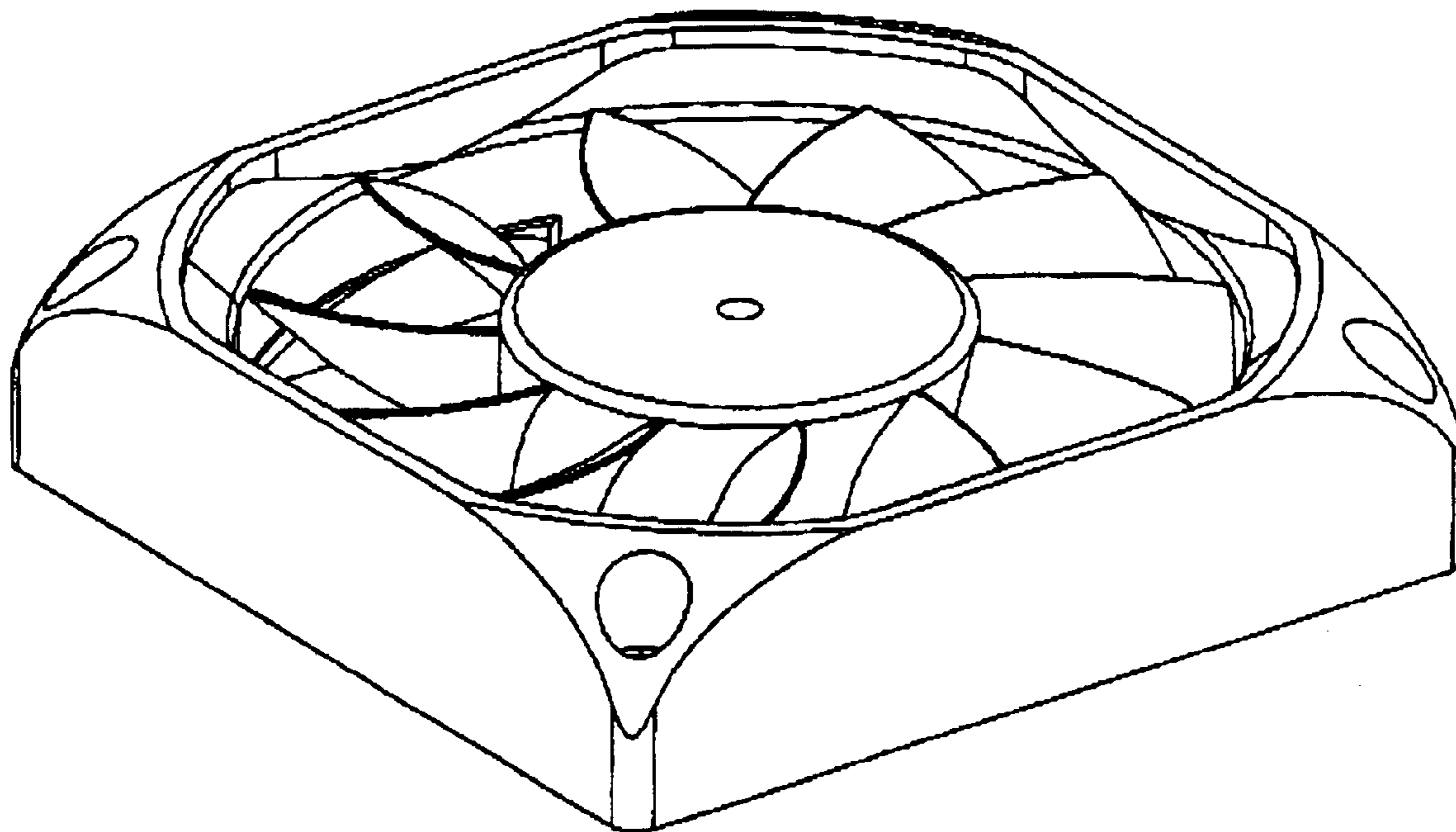
(58) **Field of Search** D23/370, 379,
D23/411; 165/80.3, 104.33; 361/700, 704

(56) **References Cited**

U.S. PATENT DOCUMENTS

5,690,468 A * 11/1997 Hong 415/177

1 Claim, 7 Drawing Sheets



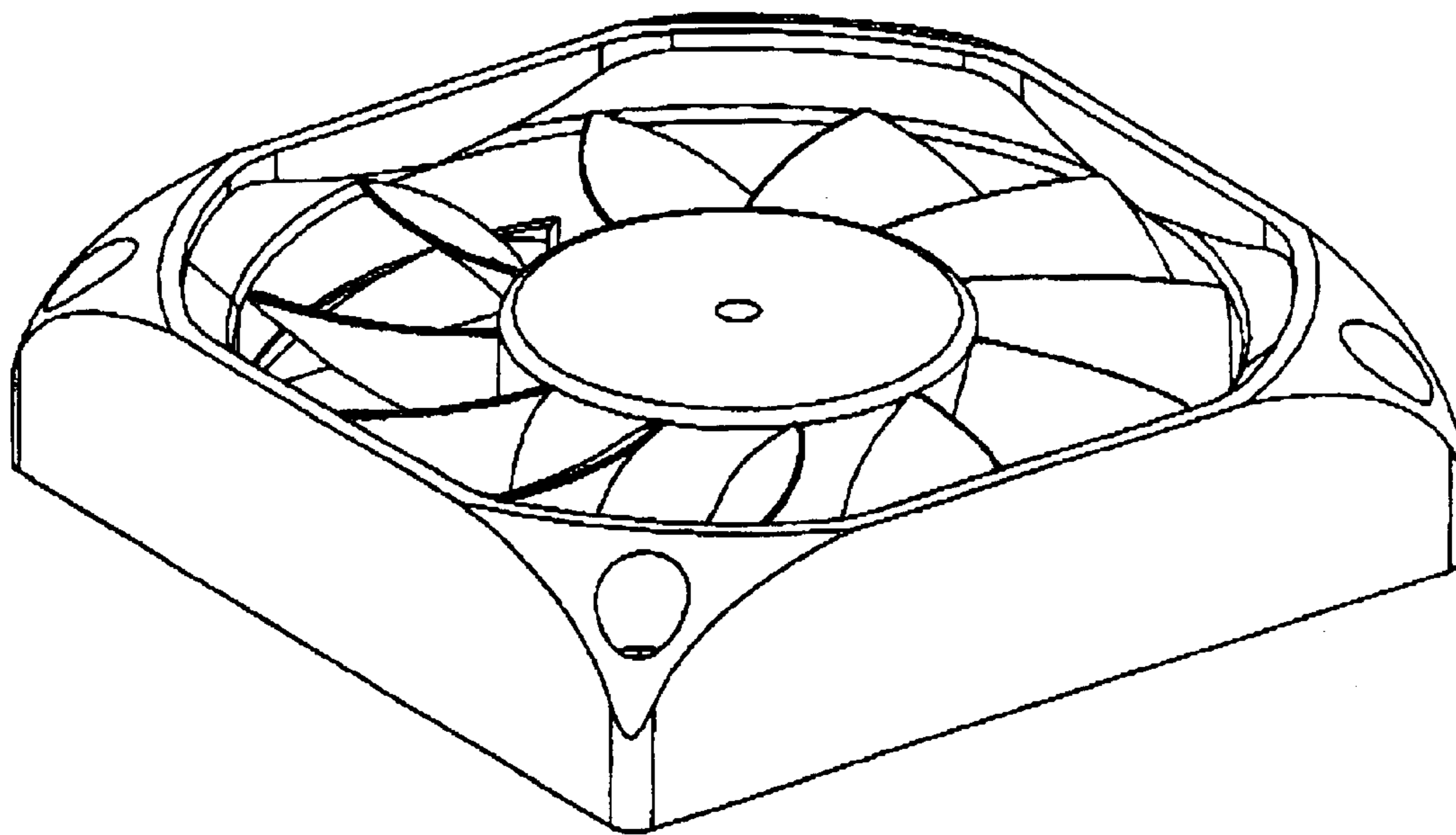


FIG. 1

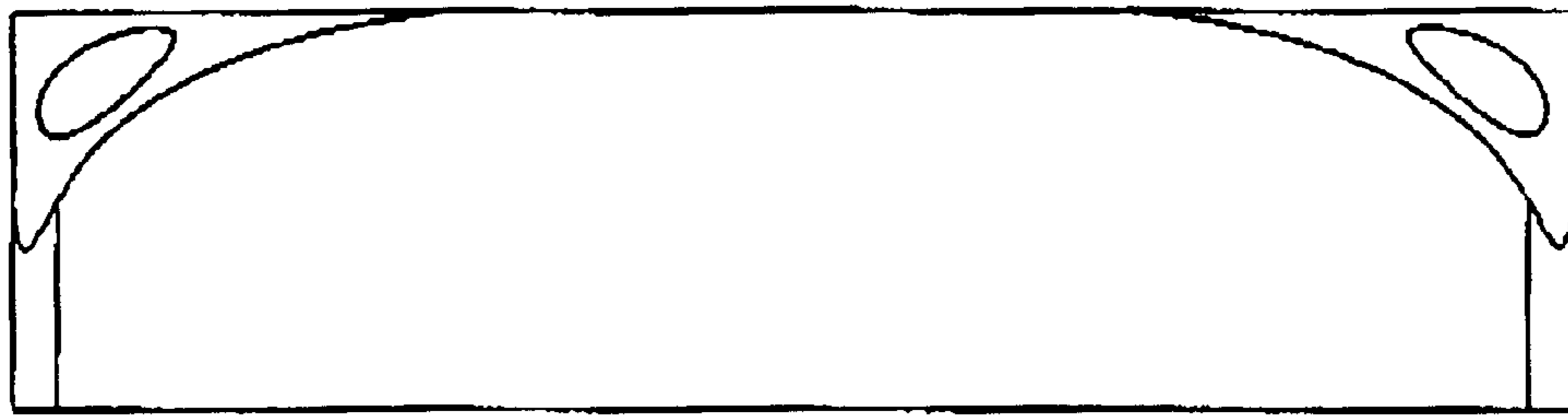


FIG. 2

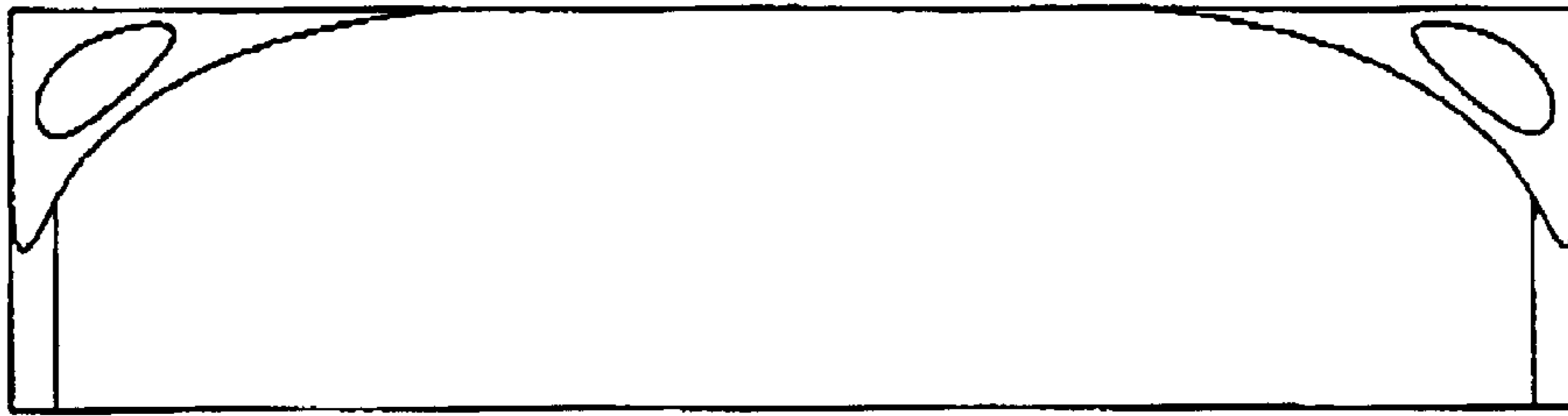


FIG. 3

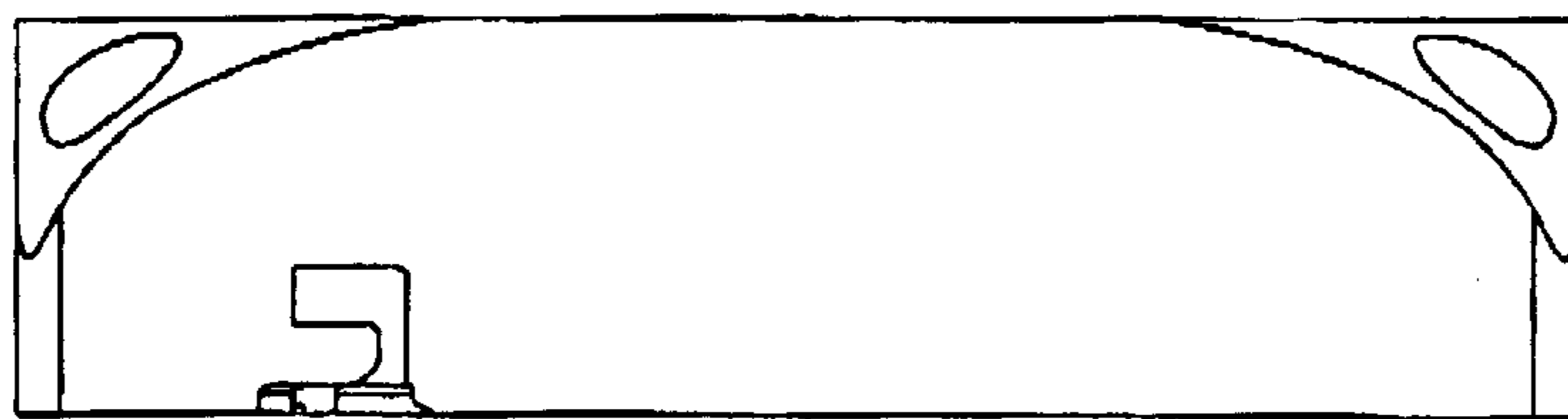


FIG. 4

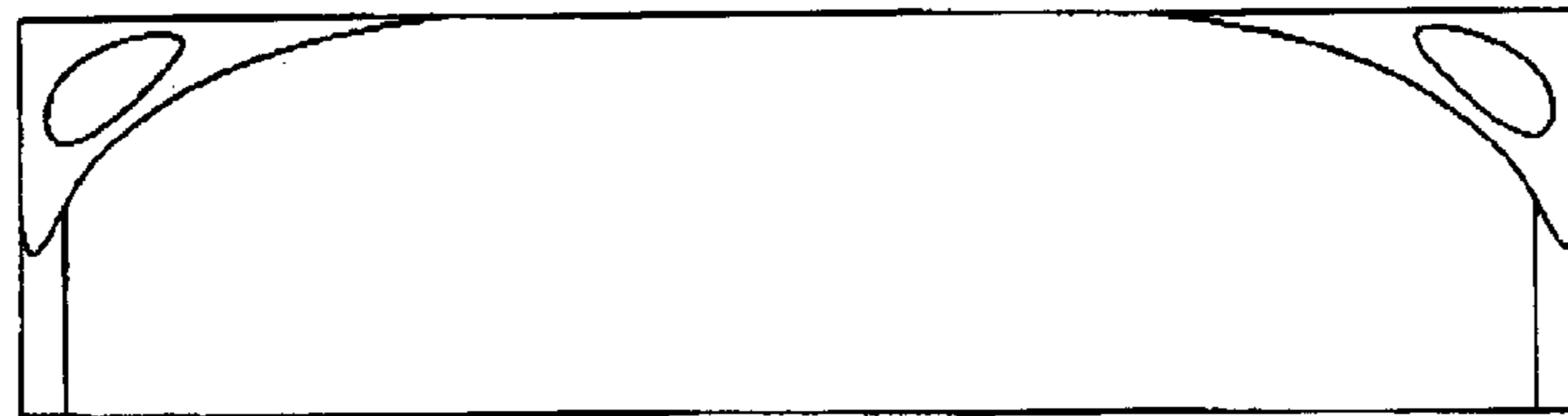


FIG. 5

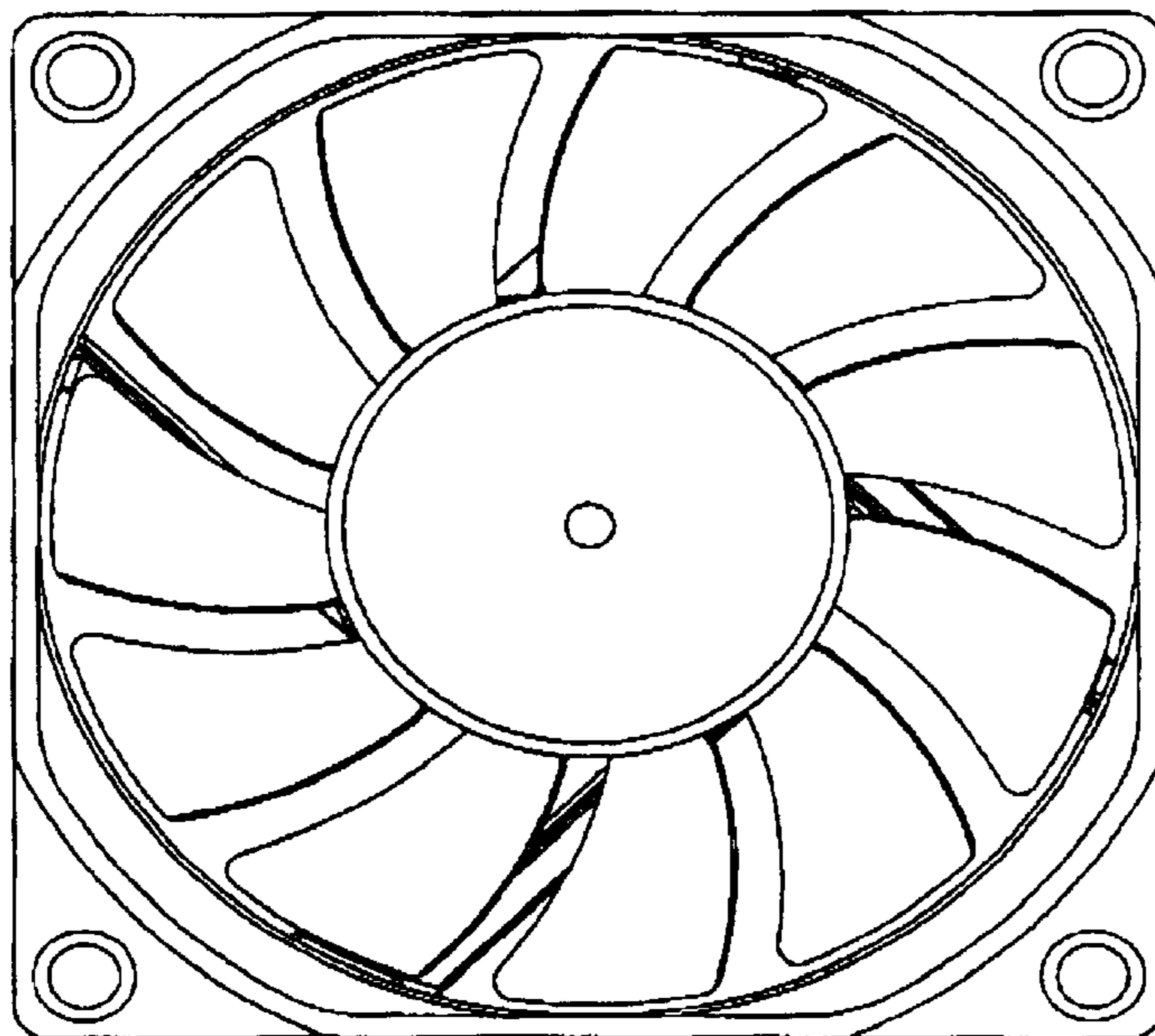


FIG. 6

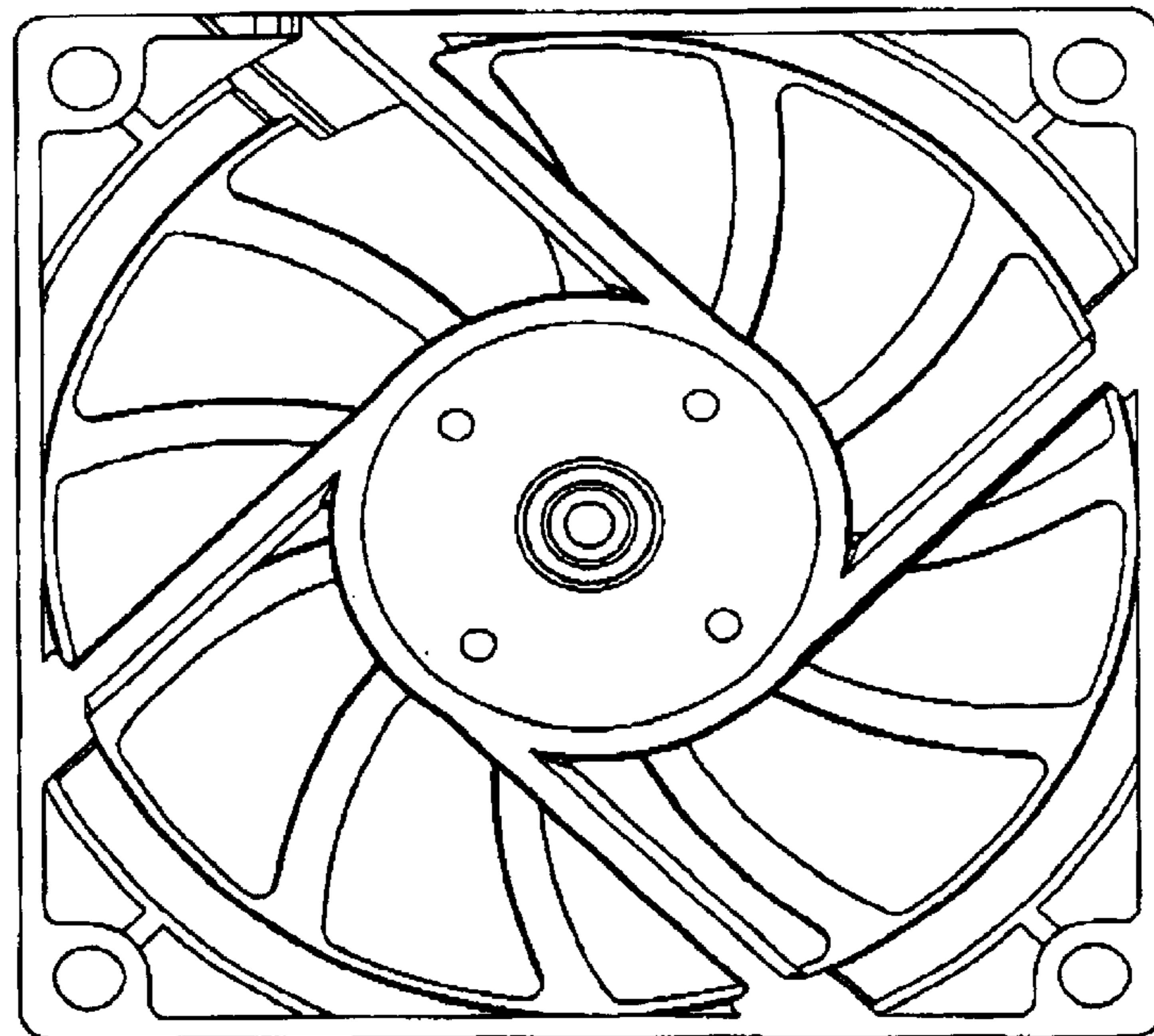


FIG. 7