



US00D512497S

(12) **United States Design Patent**
Young

(10) **Patent No.:** **US D512,497 S**
(45) **Date of Patent:** **** Dec. 6, 2005**

(54) **COMBINATION CEILING FAN AND LIGHT FIXTURE**

U.S. Appl. No. 29/195,910, filed Dec. 18, 2003 Stanfield Young.

(75) Inventor: **Stanfield Young**, Garden Grove, CA (US)

* cited by examiner

(73) Assignee: **Minka Lighting, Inc.**, Corona, CA (US)

Primary Examiner—Lisa Lichtenstein
(74) *Attorney, Agent, or Firm*—Baker & McKenzie LLP

(**) Term: **14 Years**

(57) **CLAIM**

(21) Appl. No.: **29/195,911**

The ornamental design for a combination ceiling fan and light fixture, as shown and described.

(22) Filed: **Dec. 18, 2003**

DESCRIPTION

(51) **LOC (8) Cl.** **23-04**

(52) **U.S. Cl.** **D23/377**

(58) **Field of Search** D23/377, 379,
D23/385, 411, 413; 416/5; D26/59, 72,
81-86, 88

FIG. 1 is a perspective view from below of a combination ceiling fan and light fixture in accordance with my design; FIG. 2 is an enlarged perspective view from below of a combination ceiling fan and light fixture in accordance with my design;

(56) **References Cited**

U.S. PATENT DOCUMENTS

D457,620 S	*	5/2002	Frampton	D23/413
D480,796 S	*	10/2003	Young	D23/411
D481,450 S	*	10/2003	Young	D23/377
D490,515 S	*	5/2004	Young	D23/411

FIG. 3 is a top plan view of a combination ceiling fan and light fixture in accordance with my design;

FIG. 4 is a bottom plan view of a combination ceiling fan and light fixture in accordance with my design;

FIG. 5 is a front elevation view of a combination ceiling fan and light fixture in accordance with my design; and,

OTHER PUBLICATIONS

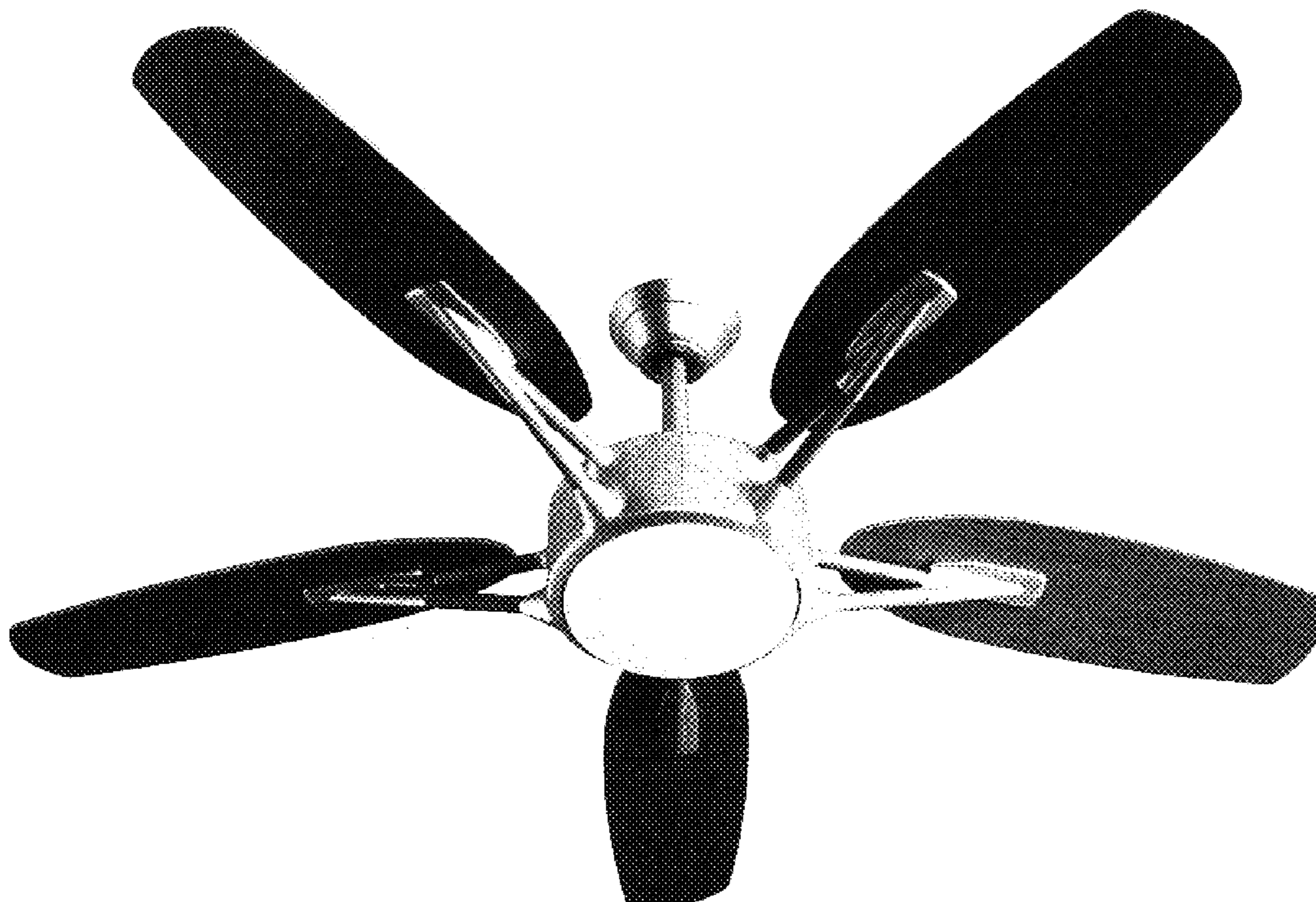
U.S. Appl. No. 29/195,844, filed Dec. 18, 2003, Stanfield Young.

U.S. Appl. No. 29/195,845, filed Dec. 18, 2003, Stanfield Young.

FIG. 6 is a side elevation view of a combination ceiling fan and light fixture in accordance with my design the opposite side being a mirror image of that shown.

FIGS. 5 and 6 are identical except for the positioning of the fan blades.

1 Claim, 5 Drawing Sheets



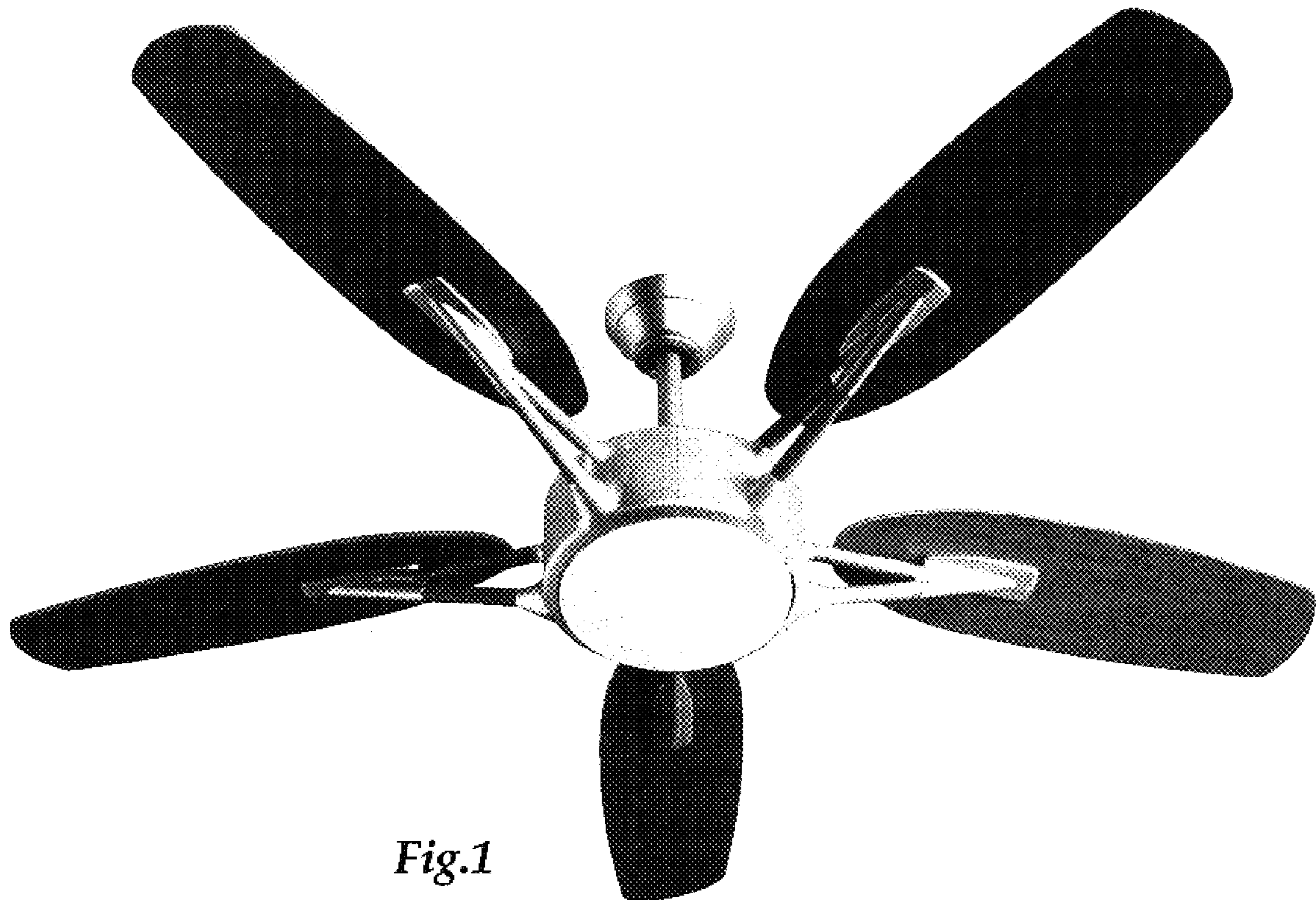


Fig. 1

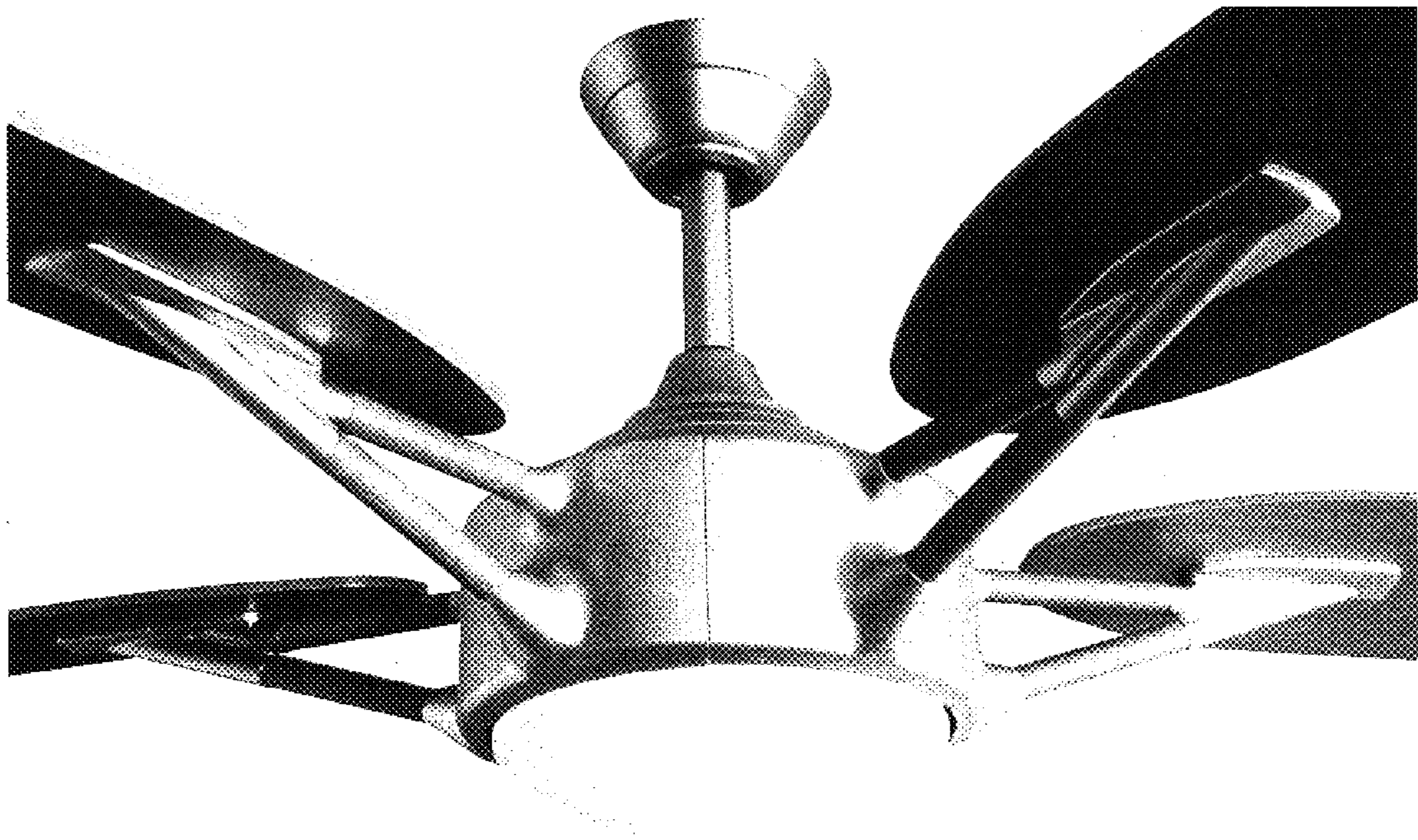


Fig.2

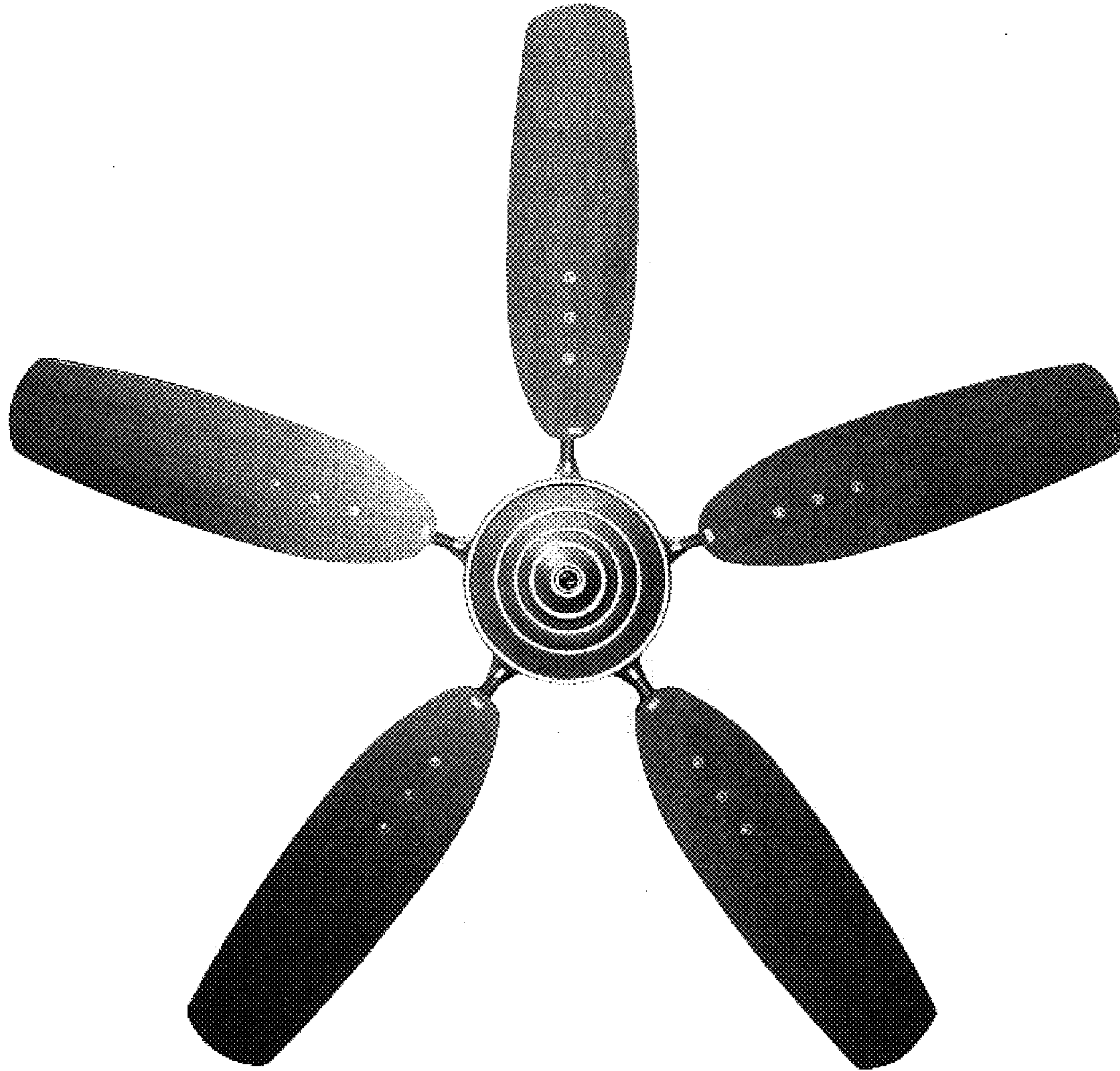


Fig.3

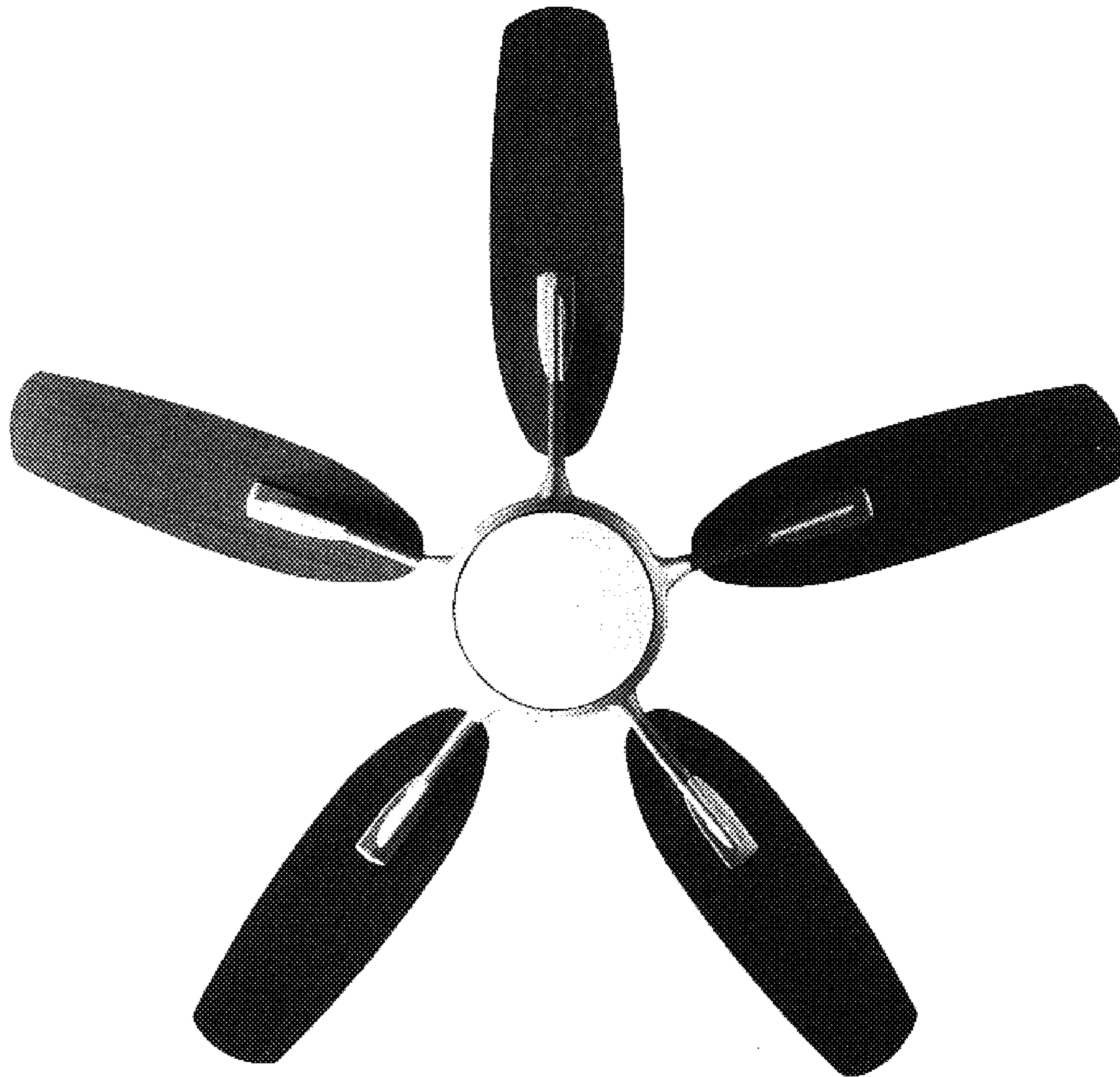


Fig.4

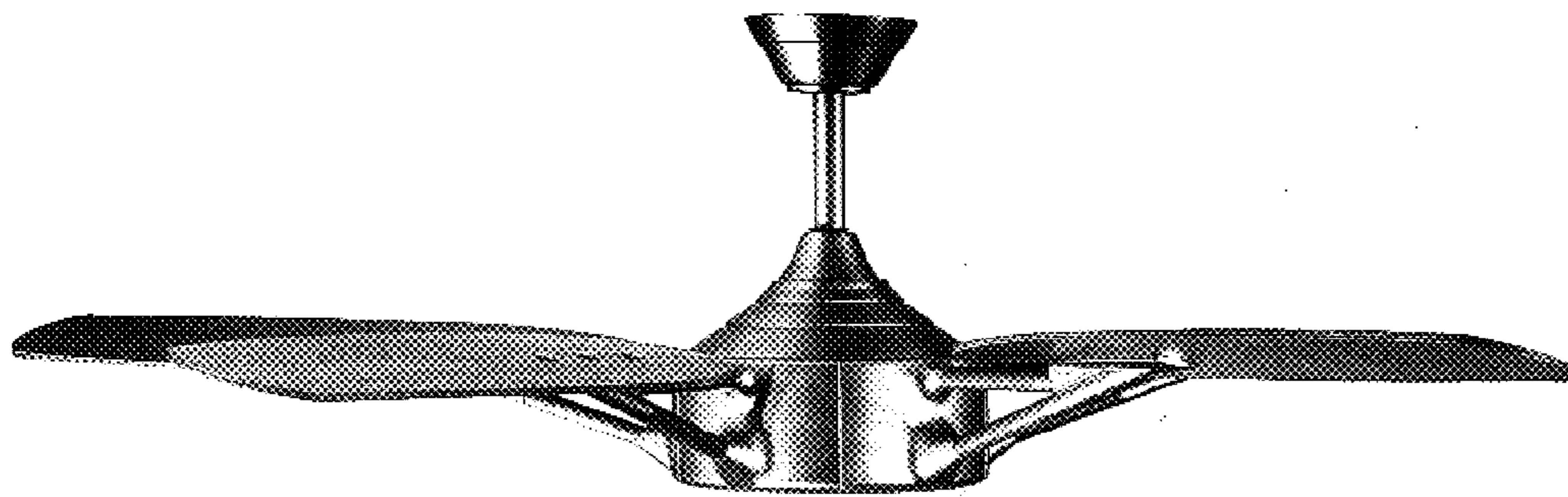


Fig.5

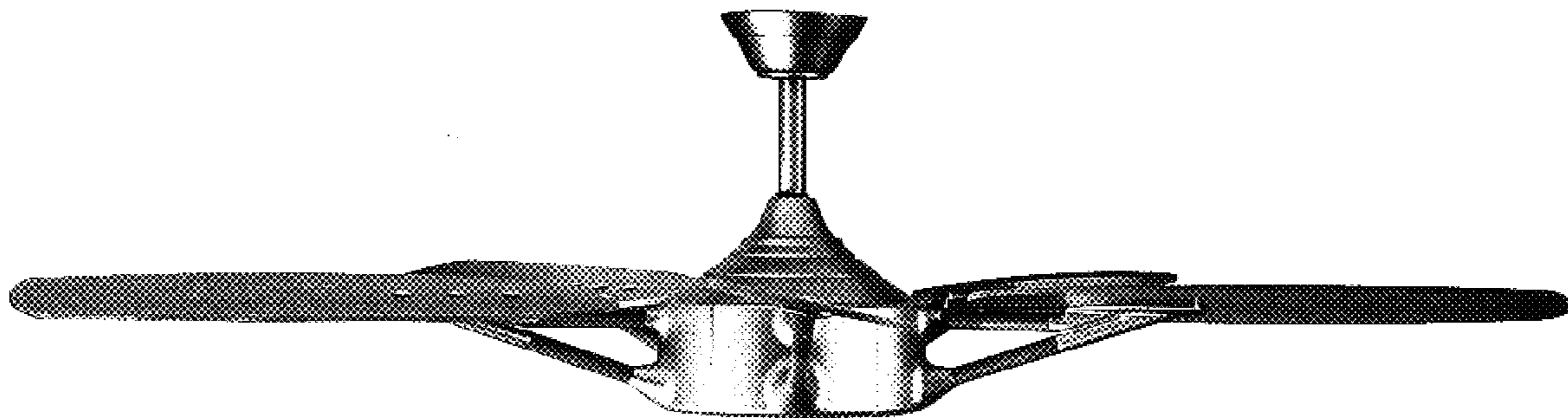


Fig.6