



US00D512491S

(12) **United States Design Patent**
Brancato

(10) **Patent No.:** **US D512,491 S**

(45) **Date of Patent:** **** Dec. 6, 2005**

(54) **AUTO RACING THEME FAUCET**

(76) **Inventor:** **Paul Brancato**, 319 Lowell St.,
Somerville, MA (US) 02145

(**) **Term:** **14 Years**

(21) **Appl. No.:** **29/202,345**

(22) **Filed:** **Mar. 30, 2004**

(51) **LOC (8) Cl.** **23-01**

(52) **U.S. Cl.** **D23/256**

(58) **Field of Search** D23/238-257;
4/675-678; 137/801; D12/194

(56) **References Cited**

U.S. PATENT DOCUMENTS

D163,955 S	*	7/1951	McCartney	D12/194
D393,054 S	*	3/1998	Doughty et al.	D23/255
D394,236 S	*	5/1998	Verlengiere	D12/194
D441,060 S	*	4/2001	Lefroy-Brooks	D23/255

* cited by examiner

Primary Examiner—Louis S. Zarfes

Assistant Examiner—Gregory Andoll

(74) *Attorney, Agent, or Firm*—Robert K. Tandler

(57) **CLAIM**

The ornamental design for an auto racing theme faucet, as shown.

DESCRIPTION

FIG. 1 is a three-quarter front view of the auto racing theme faucet of the present invention;

FIG. 2 is a front perspective view of the auto racing theme faucet of FIG. 1;

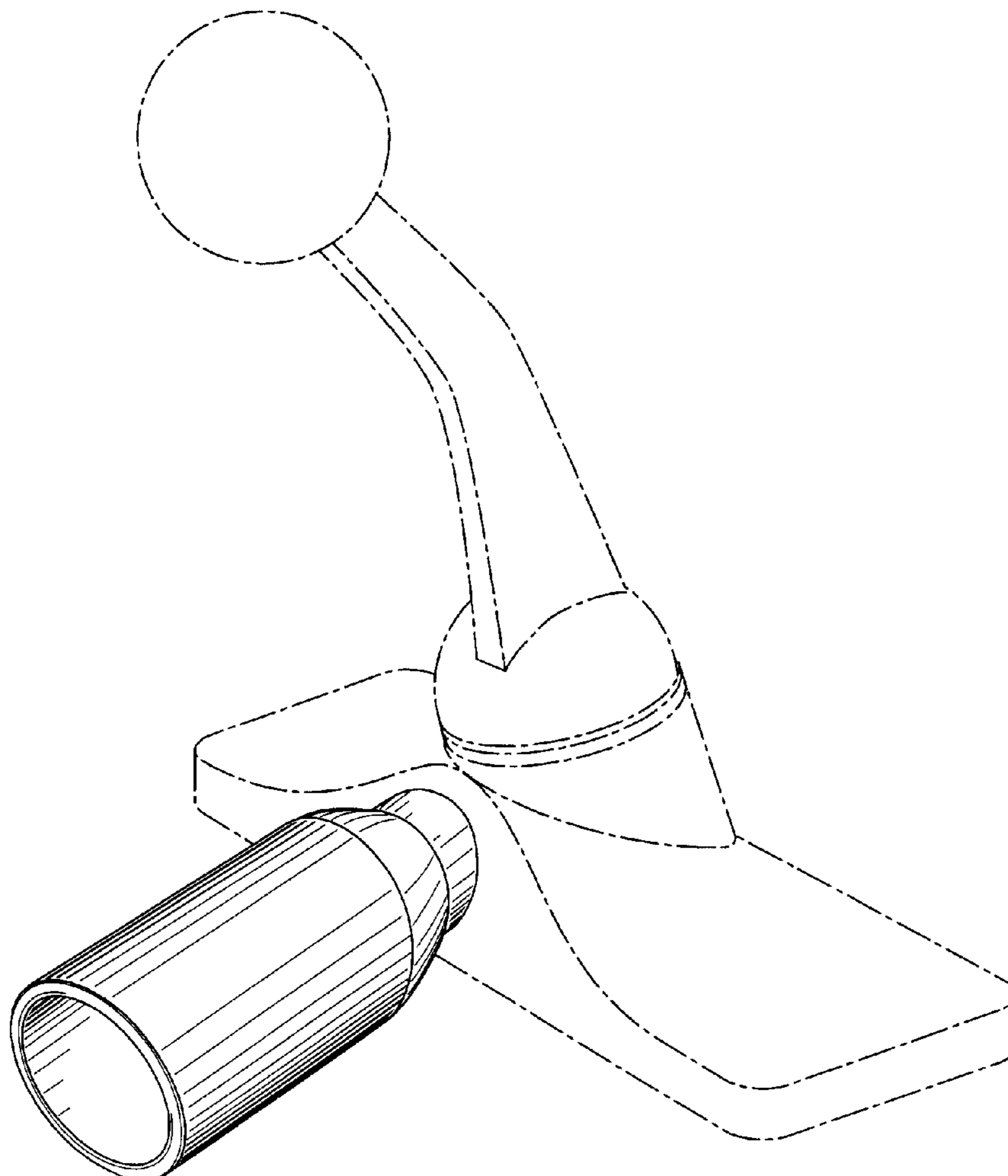
FIG. 3 is a rear view of the auto racing theme faucet of FIG. 1;

FIG. 4 is a side view of the auto racing theme faucet of FIG. 1; and,

FIG. 5 is a top perspective view of the auto racing theme faucet of FIG. 1.

The broken lines in the Figures are for illustrative purposes only and form no part of the claimed design.

1 Claim, 5 Drawing Sheets



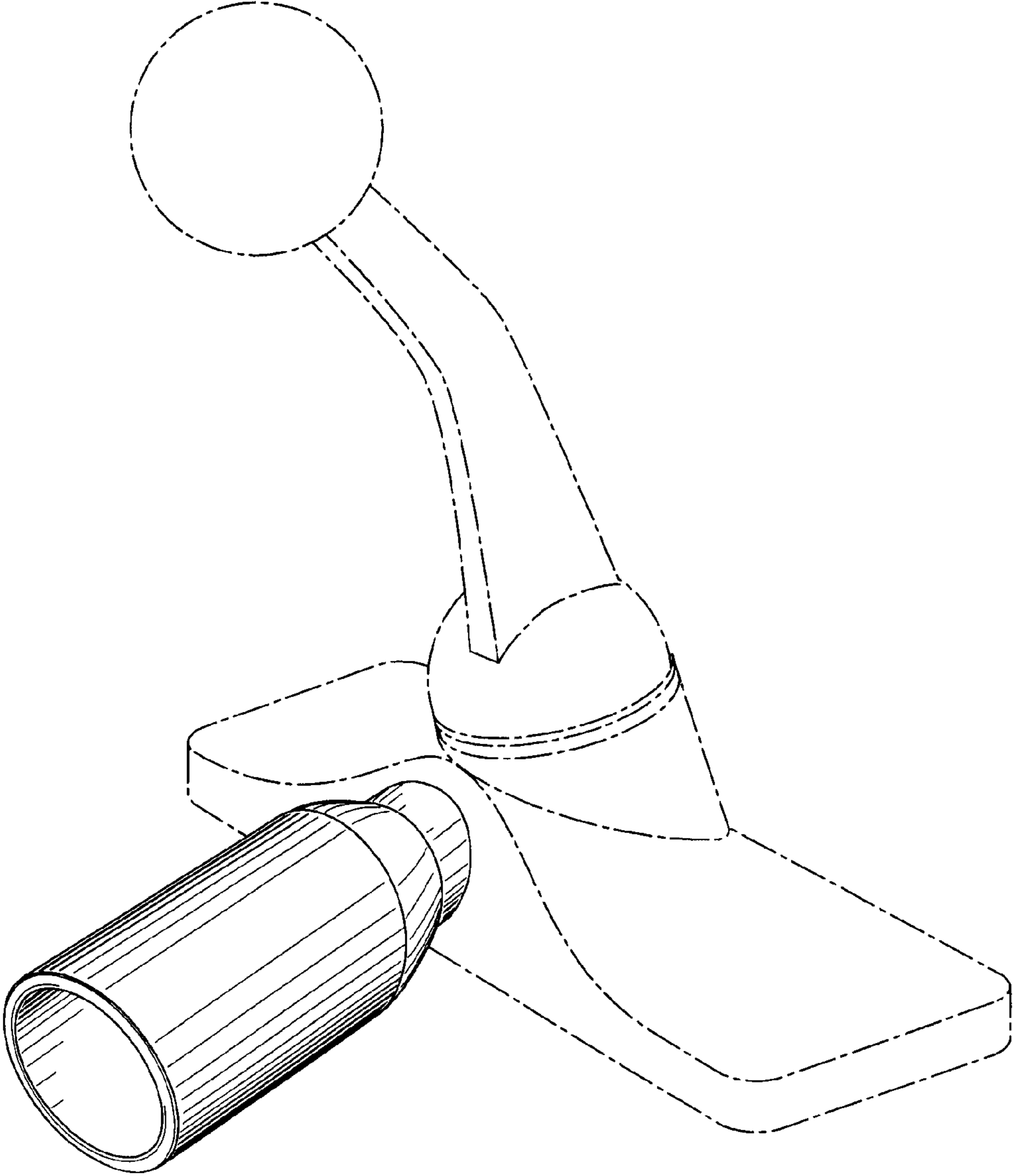


Fig. 1

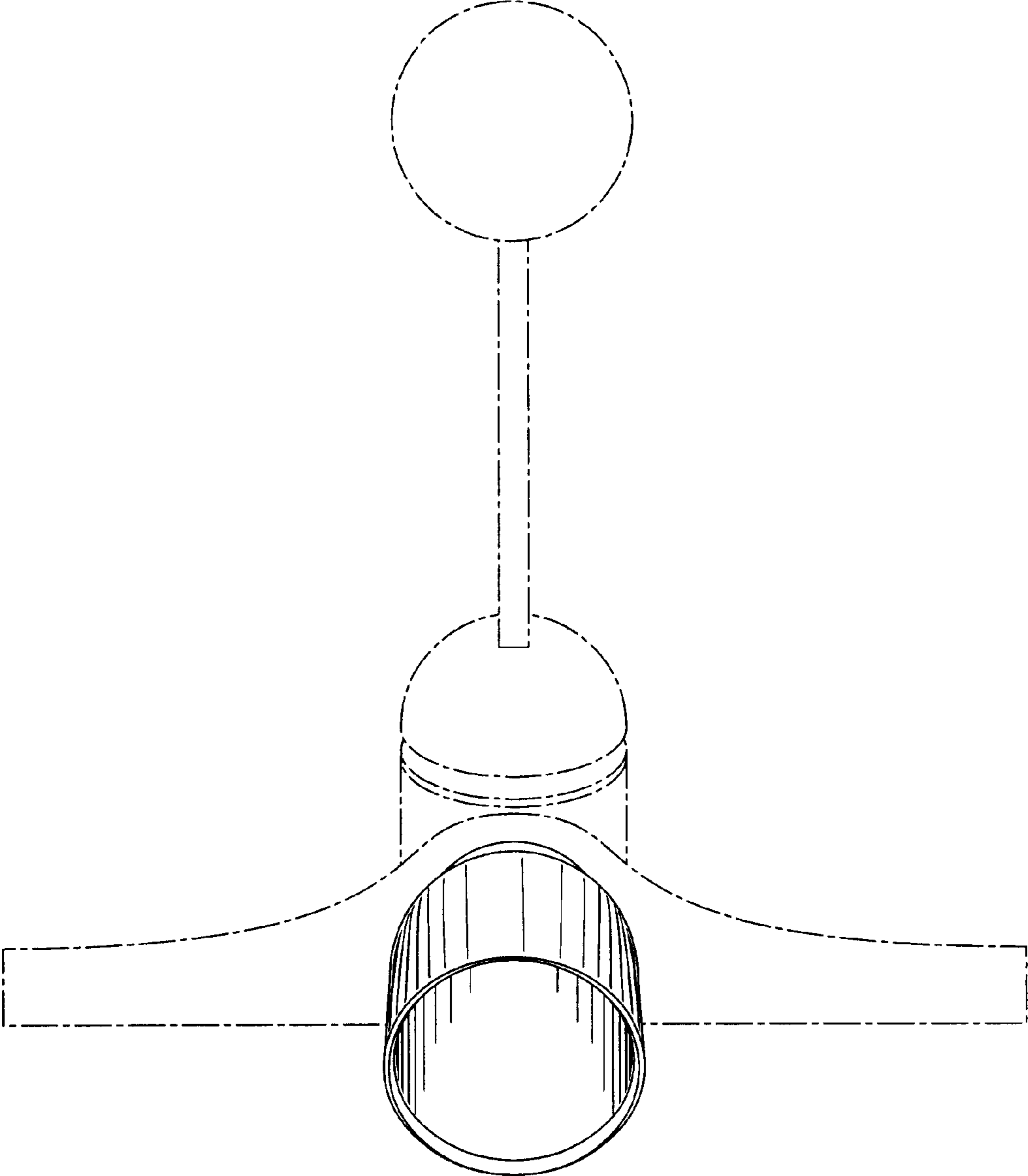


Fig. 2

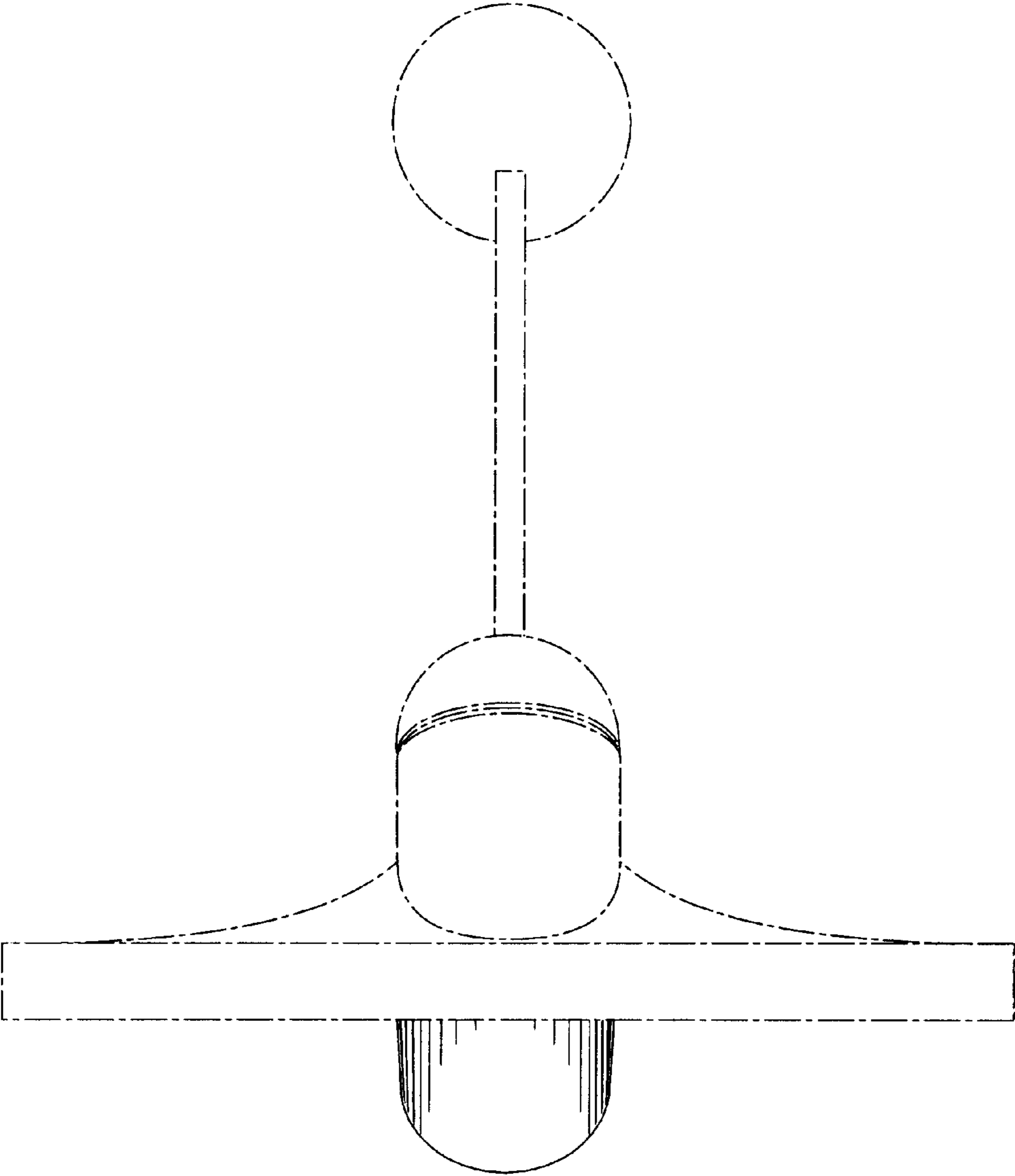


Fig. 3

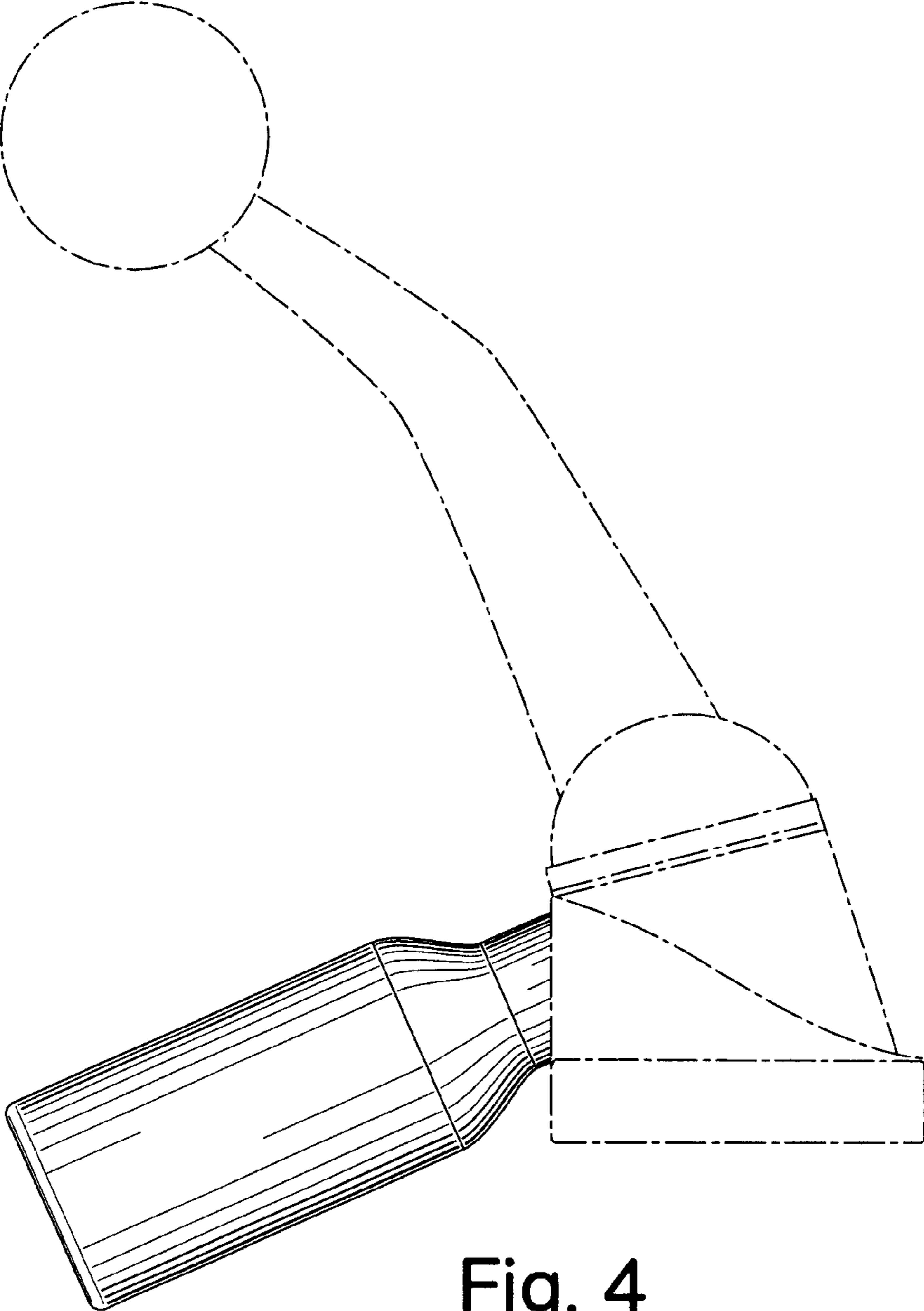


Fig. 4

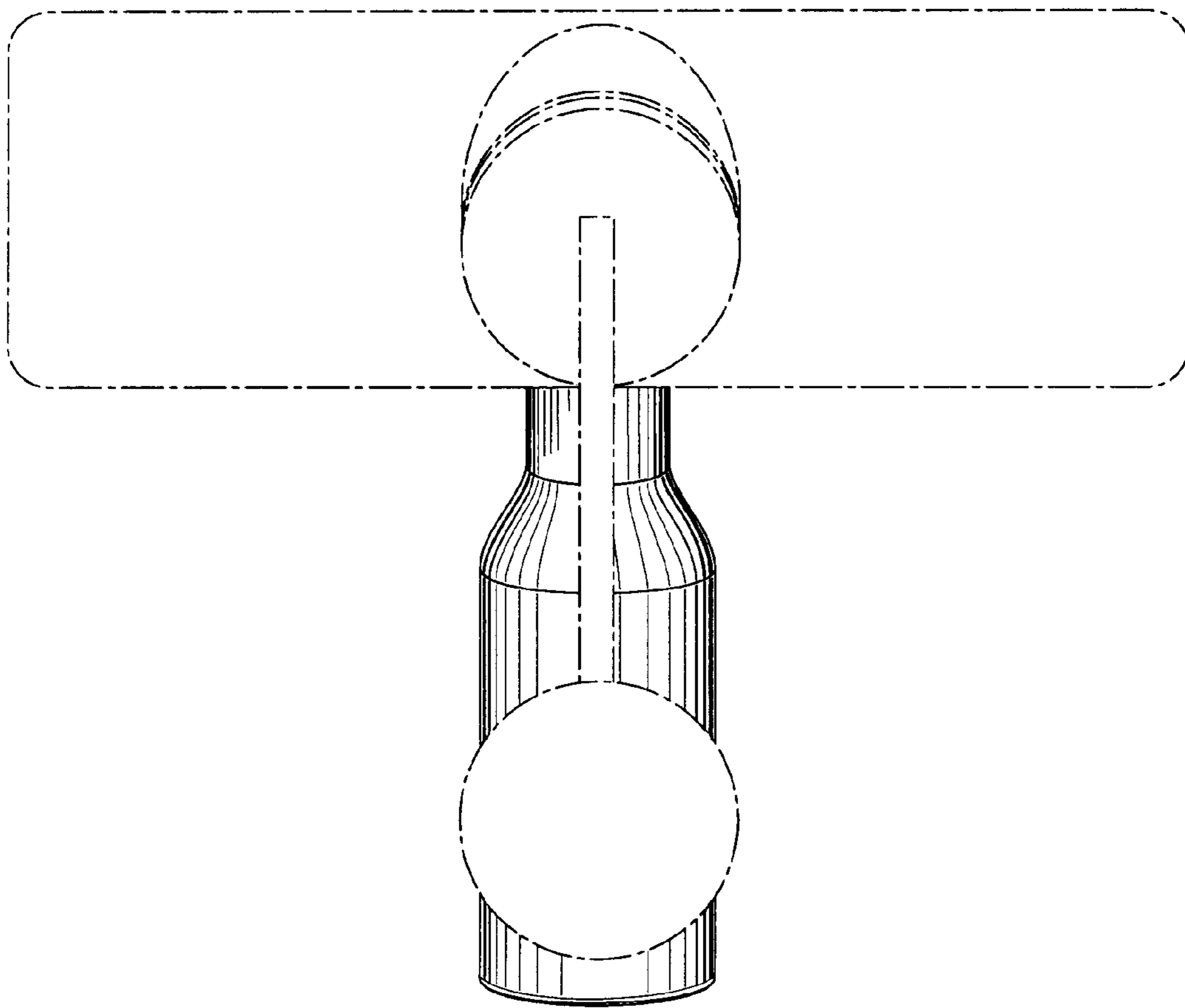


Fig. 5