



US00D512490S

(12) **United States Design Patent**
Brancato

(10) **Patent No.:** **US D512,490 S**
(45) **Date of Patent:** **** Dec. 6, 2005**

- (54) **AUTO RACING THEME FAUCET**
- (76) Inventor: **Paul Brancato**, 319 Lowell St.,
Somerville, MA (US) 02145
- (**) Term: **14 Years**
- (21) Appl. No.: **29/202,338**
- (22) Filed: **Mar. 30, 2004**
- (51) **LOC (8) Cl.** **23-01**
- (52) **U.S. Cl.** **D23/256**
- (58) **Field of Search** **D23/238-257;**
4/675-678; 137/801; D12/194

(56) **References Cited**

U.S. PATENT DOCUMENTS

D461,230 S	*	8/2002	Ko	D23/255
D488,539 S	*	4/2004	McKeone	D23/255
D488,755 S	*	4/2004	Kulla	D12/194
D492,013 S	*	6/2004	Citterio	D23/255

* cited by examiner

Primary Examiner—Louis S. Zarfes
Assistant Examiner—Gregory Andoll
(74) *Attorney, Agent, or Firm*—Robert K. Tendler

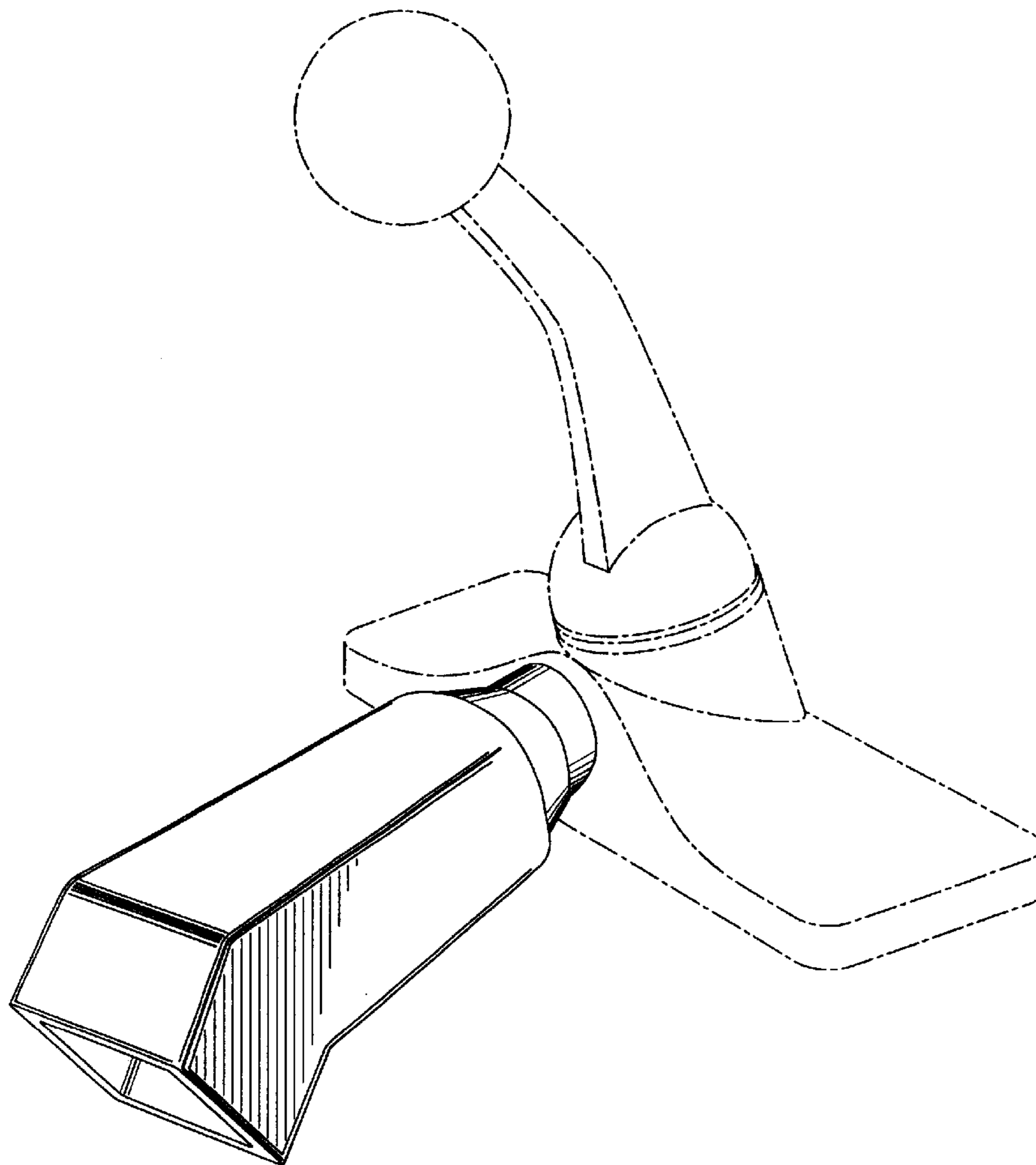
(57) **CLAIM**

The ornamental design for an auto racing theme faucet, as shown.

DESCRIPTION

FIG. 1 is a three-quarter front view of the auto racing theme faucet of the present invention;
FIG. 2 is a front perspective view of the auto racing theme faucet of FIG. 1;
FIG. 3 is a rear view of the auto racing theme faucet of FIG. 1;
FIG. 4 is a side view of the auto racing theme faucet of FIG. 1; and,
FIG. 5 is a top perspective view of the auto racing theme faucet of FIG. 1.
The broken lines in the Figures are for illustrative purposes only and form no part of the claimed design.

1 Claim, 5 Drawing Sheets



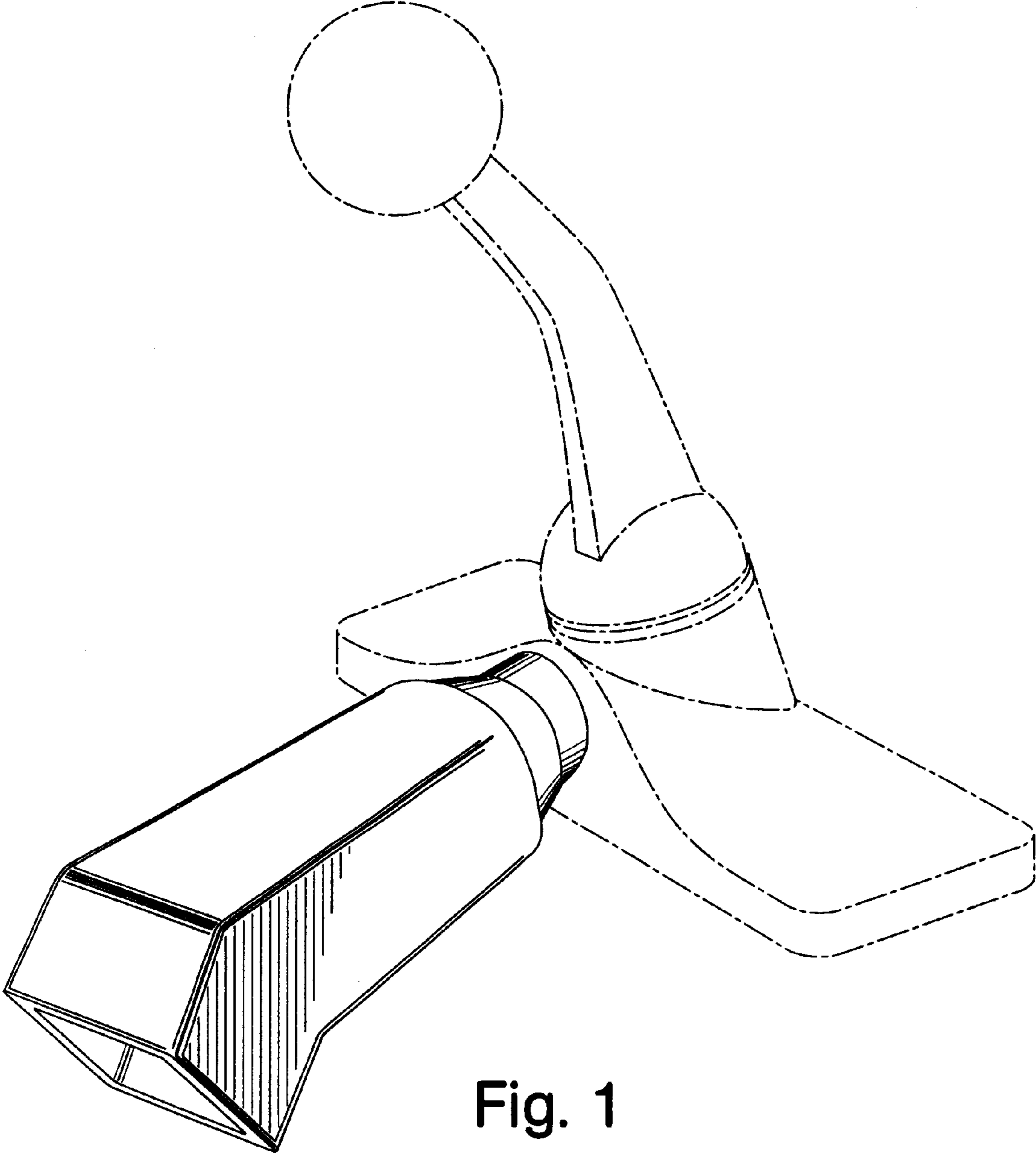


Fig. 1

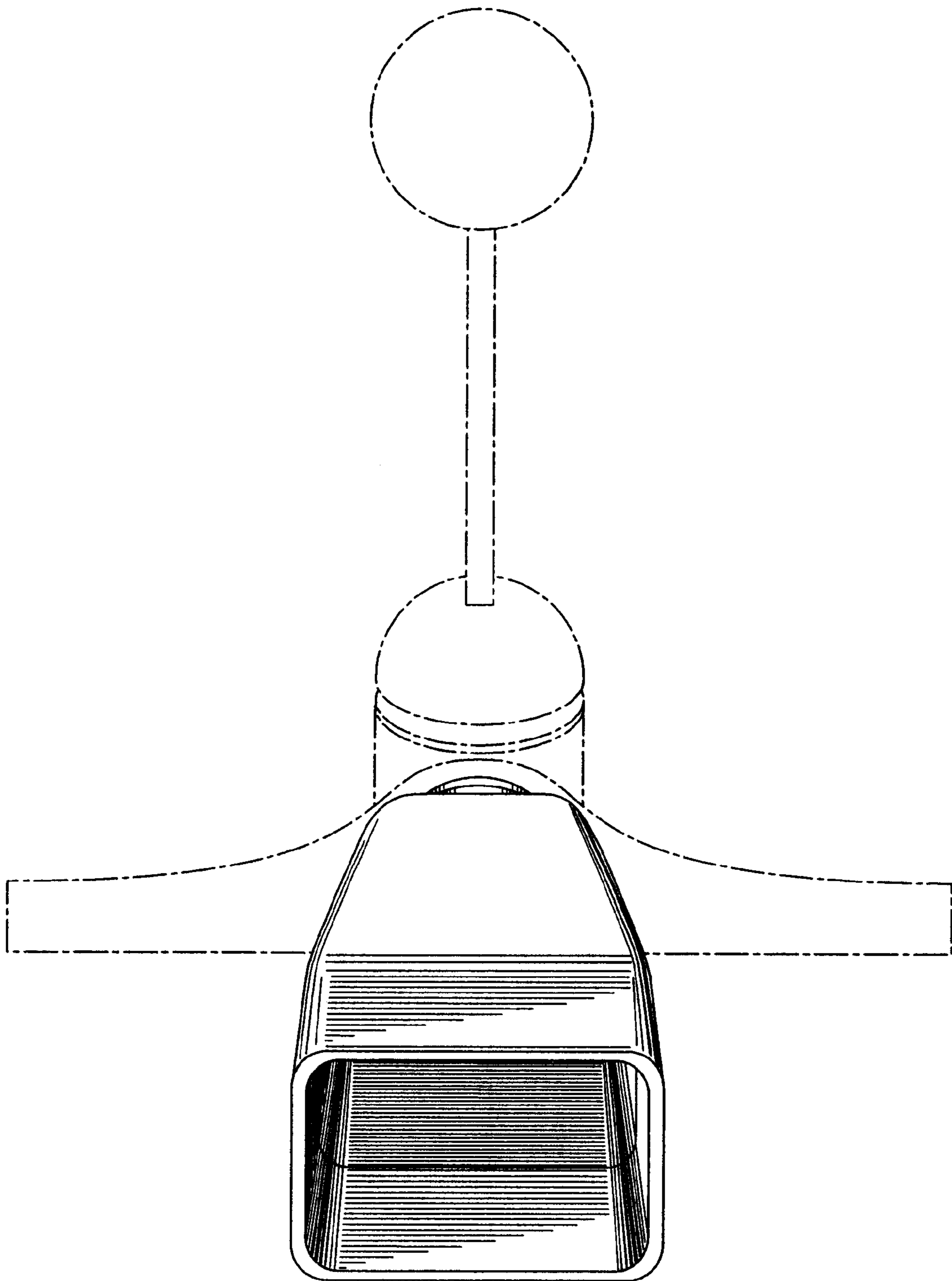


Fig. 2

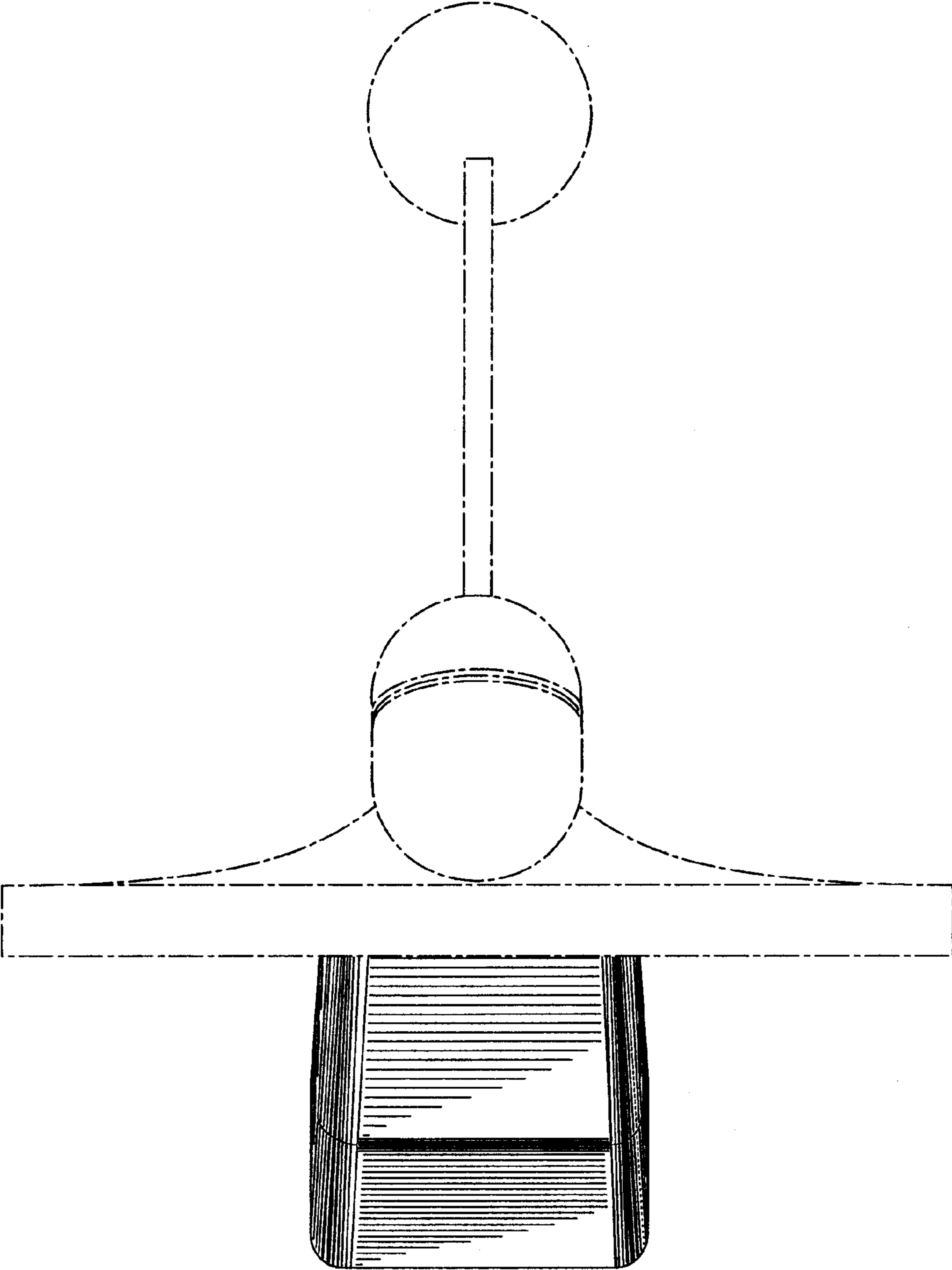


Fig. 3

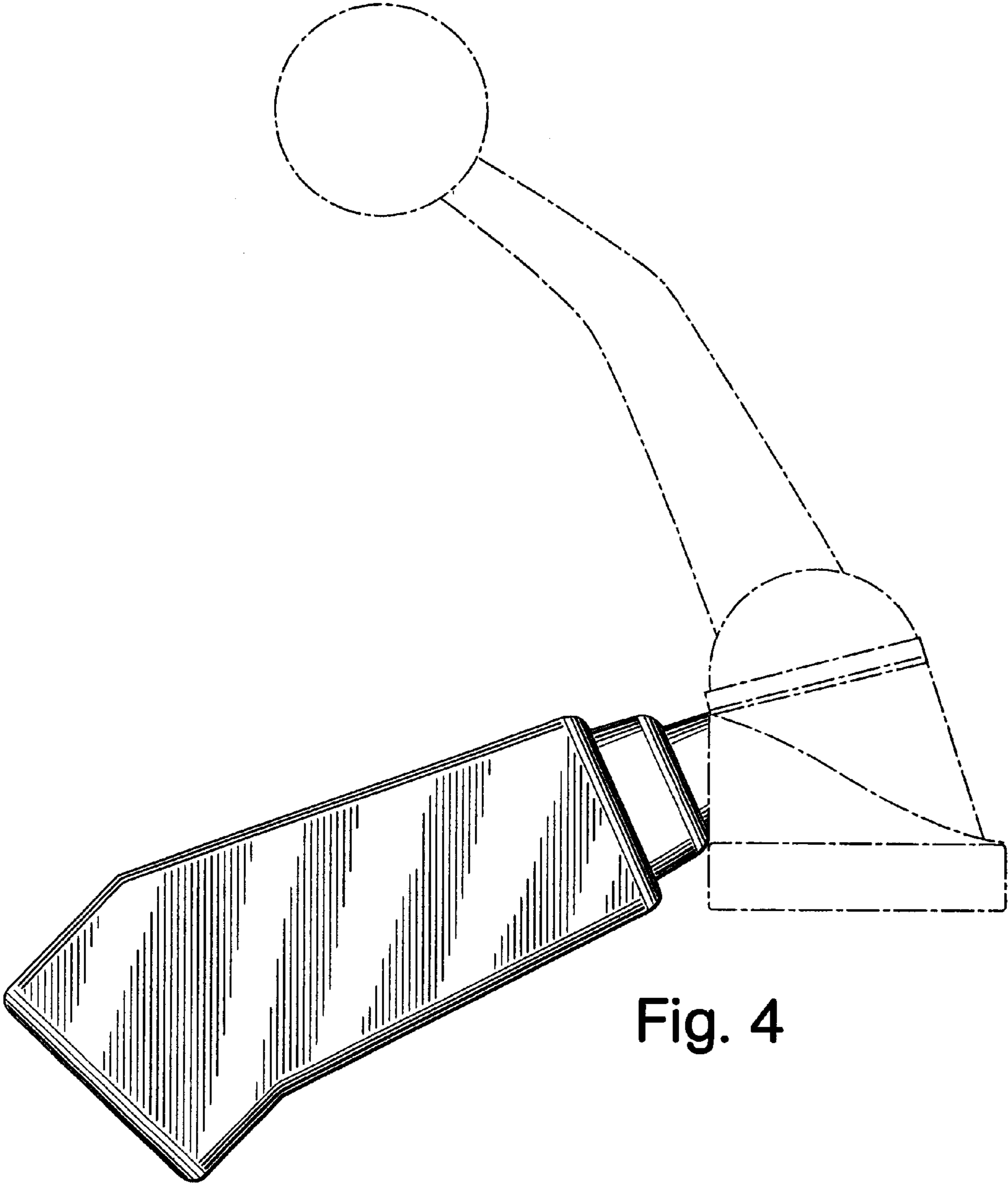


Fig. 4

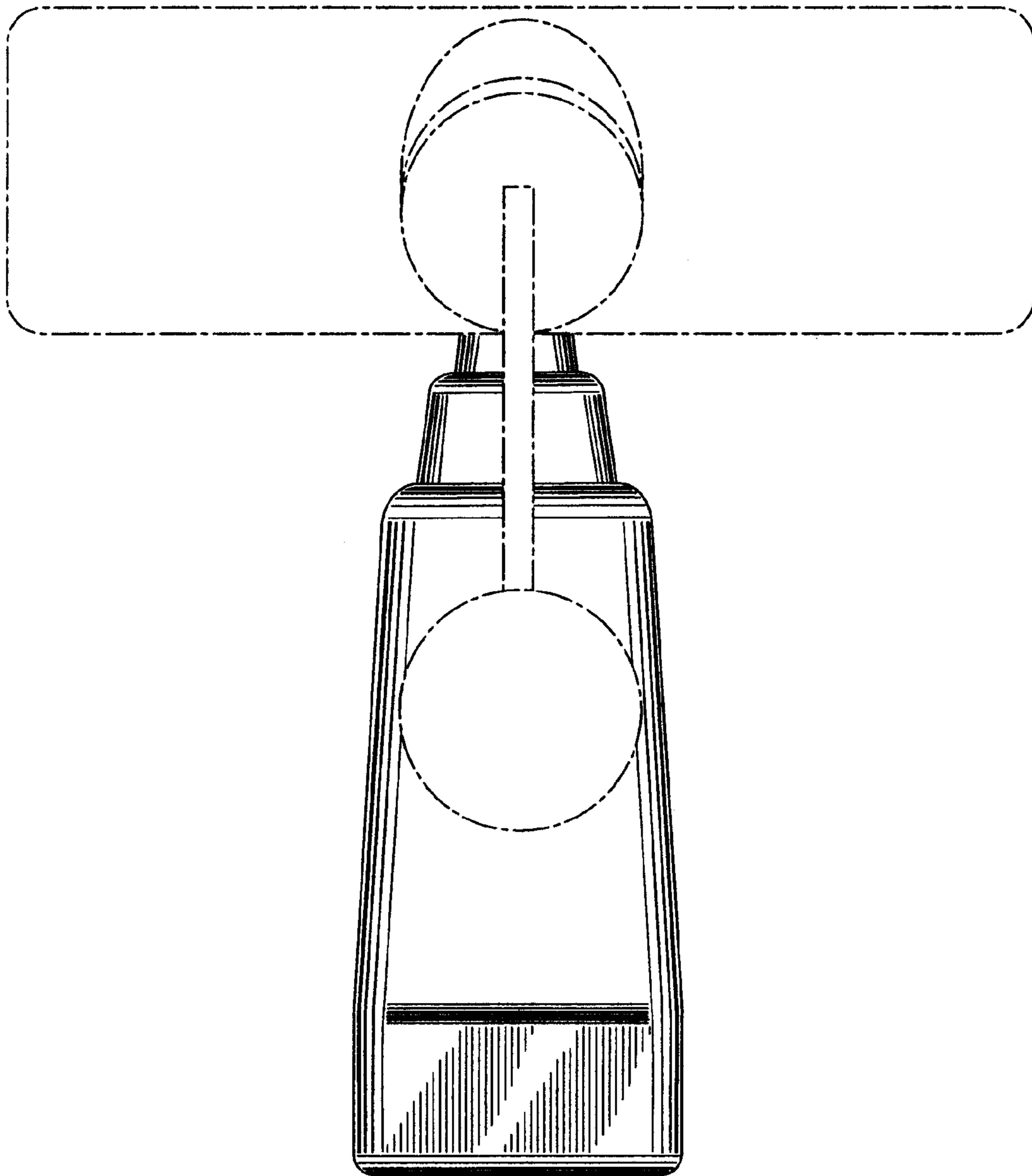


Fig. 5