



US00D512488S

(12) **United States Design Patent** (10) **Patent No.:** **US D512,488 S**  
**Kulig** (45) **Date of Patent:** **\*\* Dec. 6, 2005**

(54) **FAUCET HANDLE**

(75) Inventor: **Zbigniew Kulig**, Milwaukee, WI (US)

(73) Assignee: **Graff Faucets**, Milwaukee, WI (US)

(\*\*) Term: **14 Years**

(21) Appl. No.: **29/220,238**

(22) Filed: **Dec. 28, 2004**

(51) **LOC (8) Cl.** ..... **23-01**

(52) **U.S. Cl.** ..... **D23/252**

(58) **Field of Search** ..... D23/238–257;  
D8/300–322, 350–353, DIG. 3; 16/110.1;  
4/675–678

(56) **References Cited**

**U.S. PATENT DOCUMENTS**

D409,726 S	5/1999	Formgren	
D416,609 S	* 11/1999	Mullenmeister	..... D23/252
D424,663 S	5/2000	Mark et al.	
D433,106 S	* 10/2000	Spangler	..... D23/250
D444,851 S	7/2001	Sturgeon	
D458,666 S	6/2002	Mark et al.	
D470,917 S	2/2003	Friedrich	
D471,254 S	3/2003	Bonnell et al.	
D472,611 S	* 4/2003	Piatt	..... D23/252

**OTHER PUBLICATIONS**

Kulig, U.S. Appl. No. 29/200,367, filed Feb. 26, 2004, entitled *Faucet*.

\* cited by examiner

*Primary Examiner*—Louis S. Zarfaz

*Assistant Examiner*—Gregory Andoll

(74) *Attorney, Agent, or Firm*—Boyle Fredrickson Newholm Stein & Gratz S.C.

(57) **CLAIM**

The ornamental design for a faucet handle, as shown and described.

**DESCRIPTION**

FIG. 1 is perspective view of a faucet handle incorporating our new design, viewed from in front of, above, and from the left side of the faucet handle;

FIG. 2 is a front elevation view thereof;

FIG. 3 is a rear elevation view thereof;

FIG. 4 is a top plan view thereof;

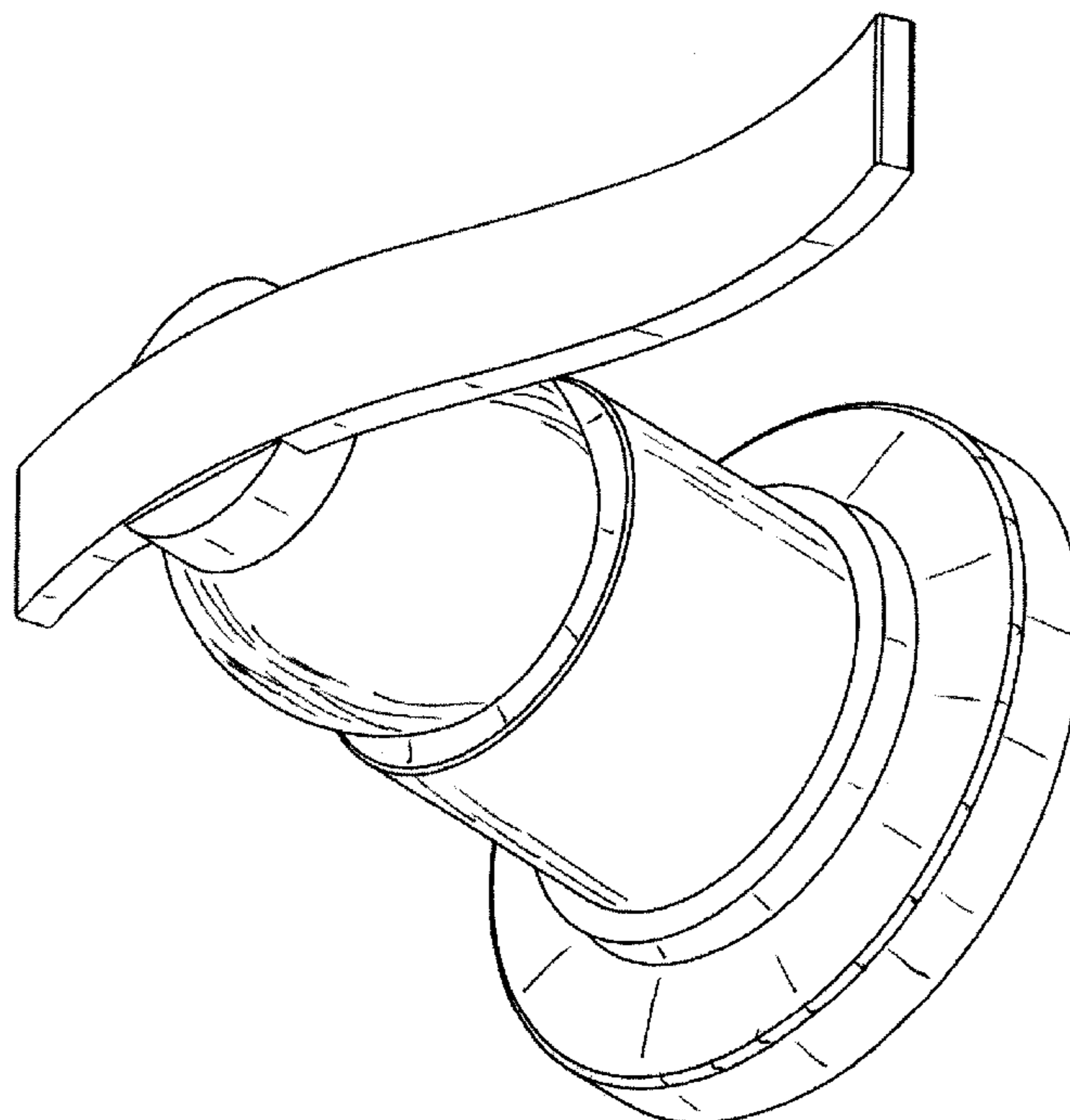
FIG. 5 is a bottom plan view thereof;

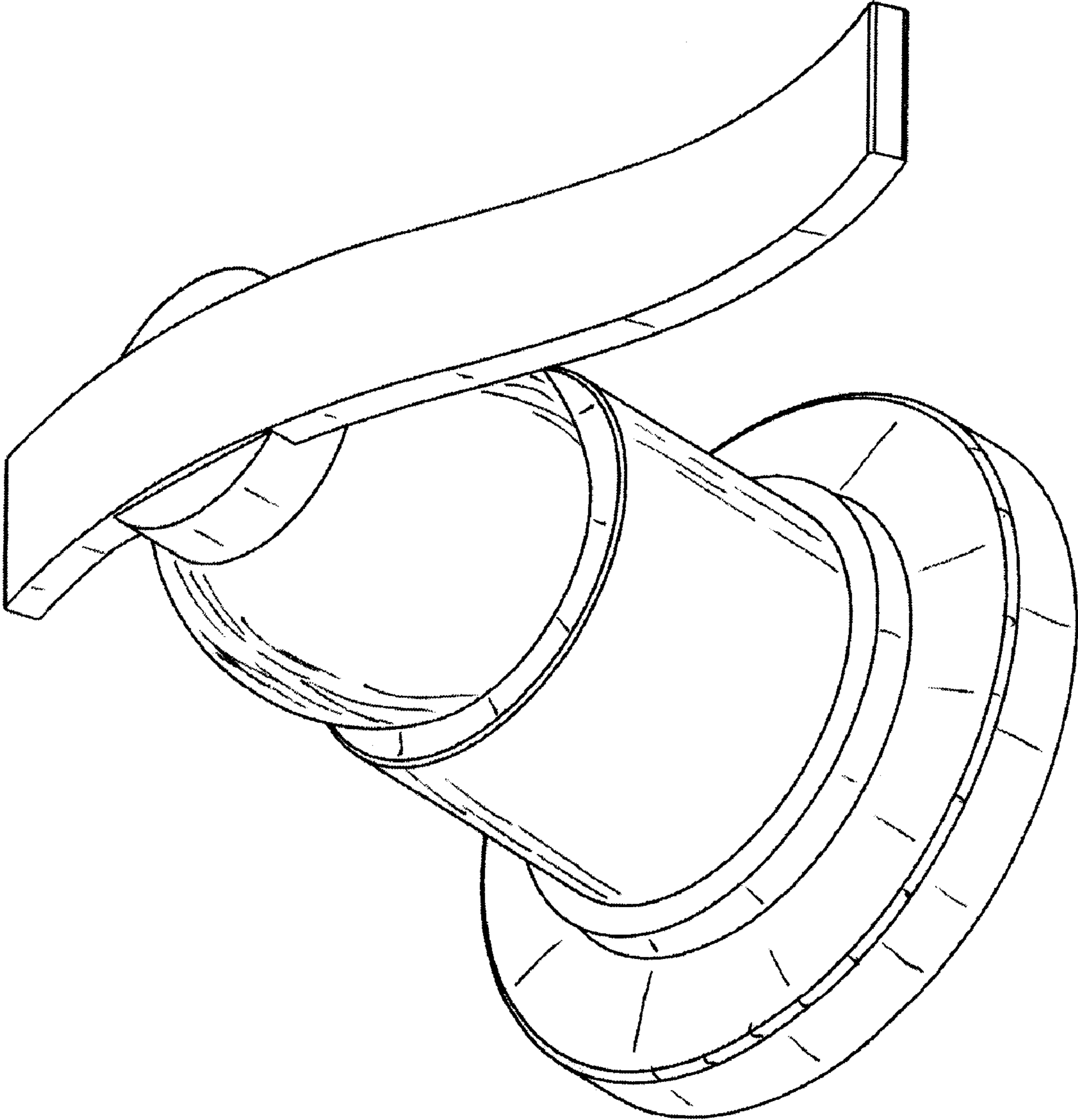
FIG. 6 is a right-side elevation view thereof, with the left side being a mirror image of the left side; and,

FIG. 7 is a perspective view showing the faucet handle of FIGS. 1–6 in combination with the remainder of a faucet in which the handle is usable.

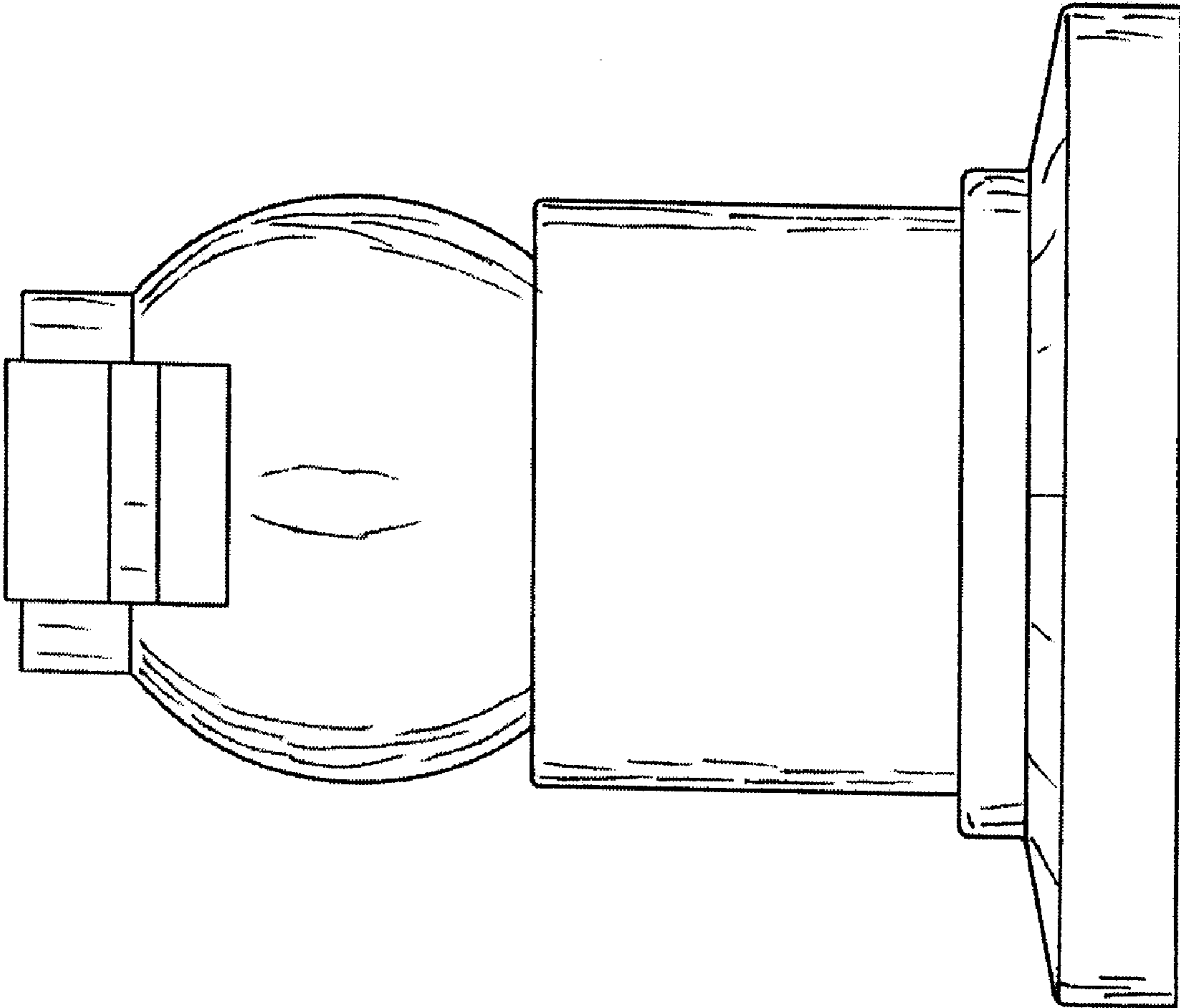
The broken lines in FIGS. 5 and 7 are for illustrative purposes only and form no part of the claimed design.

**1 Claim, 7 Drawing Sheets**

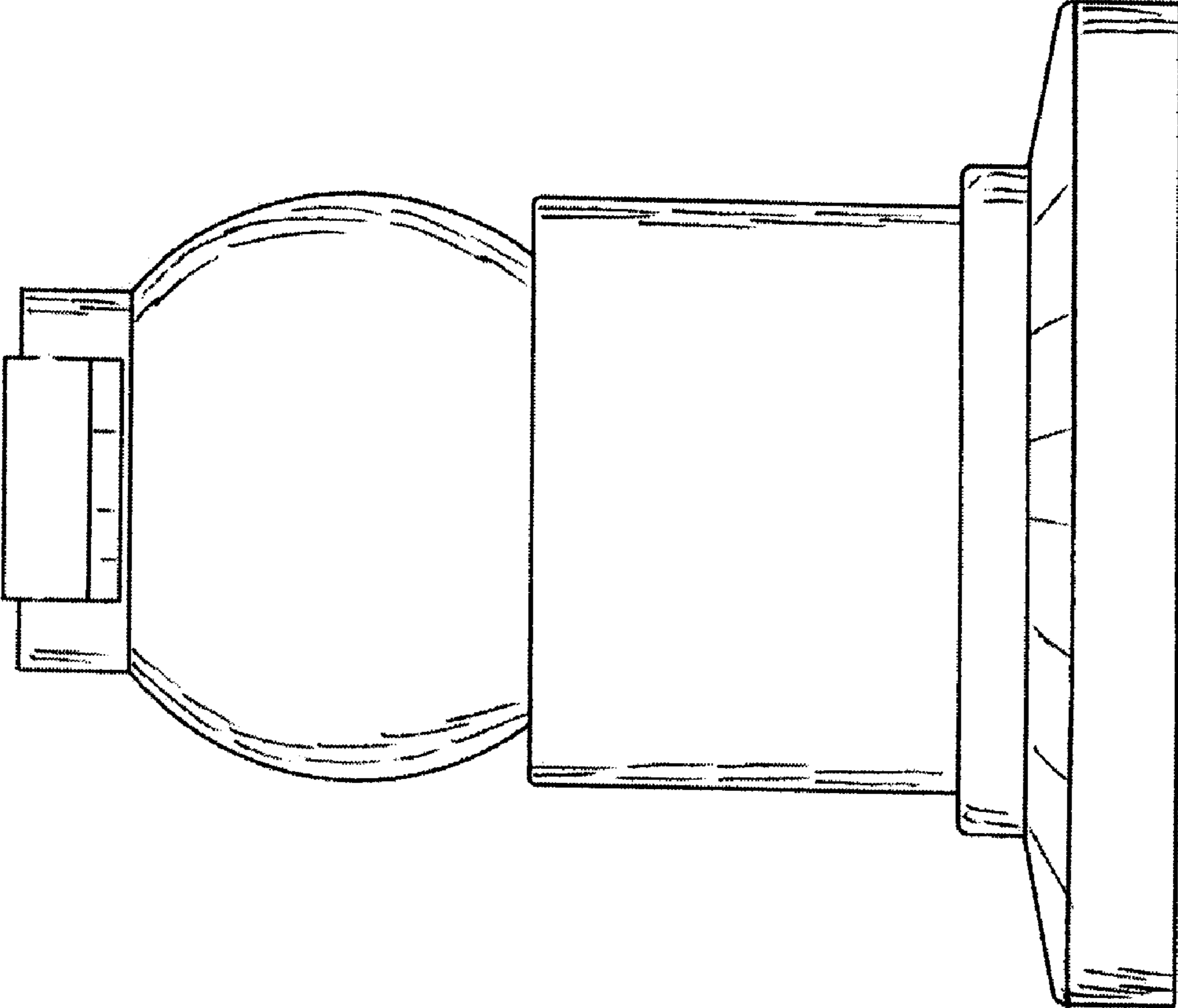




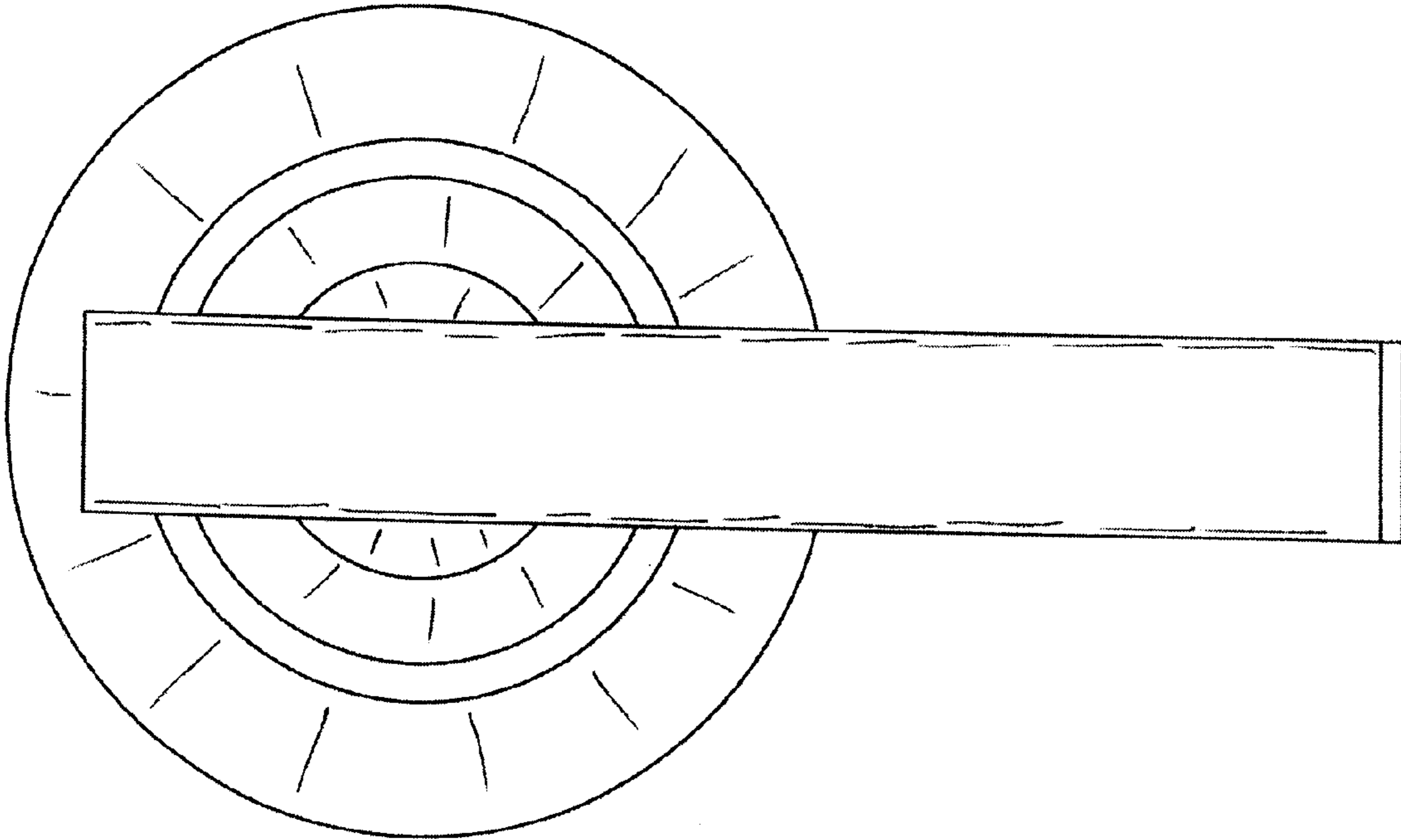
**FIG. 1**



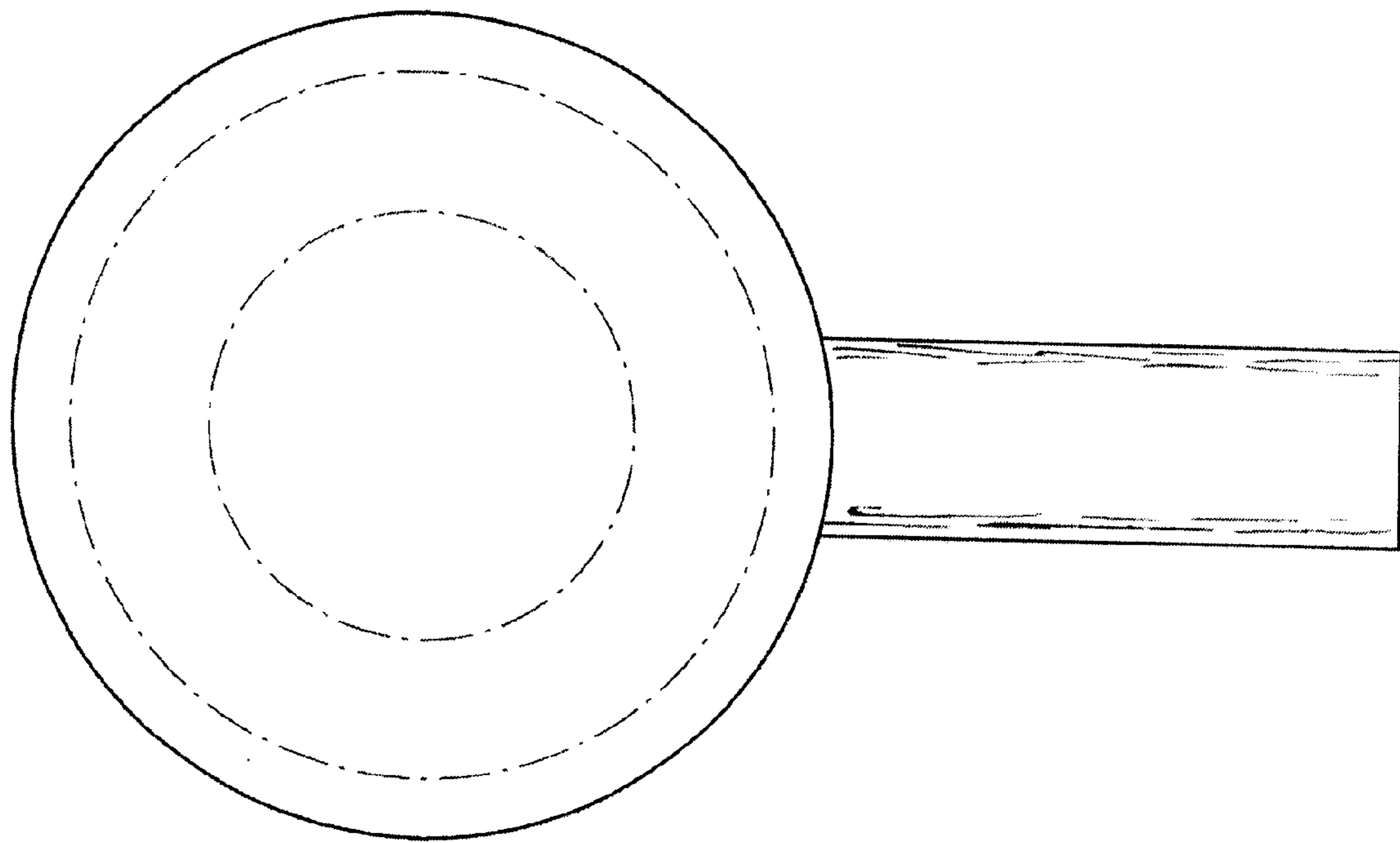
**FIG. 2**



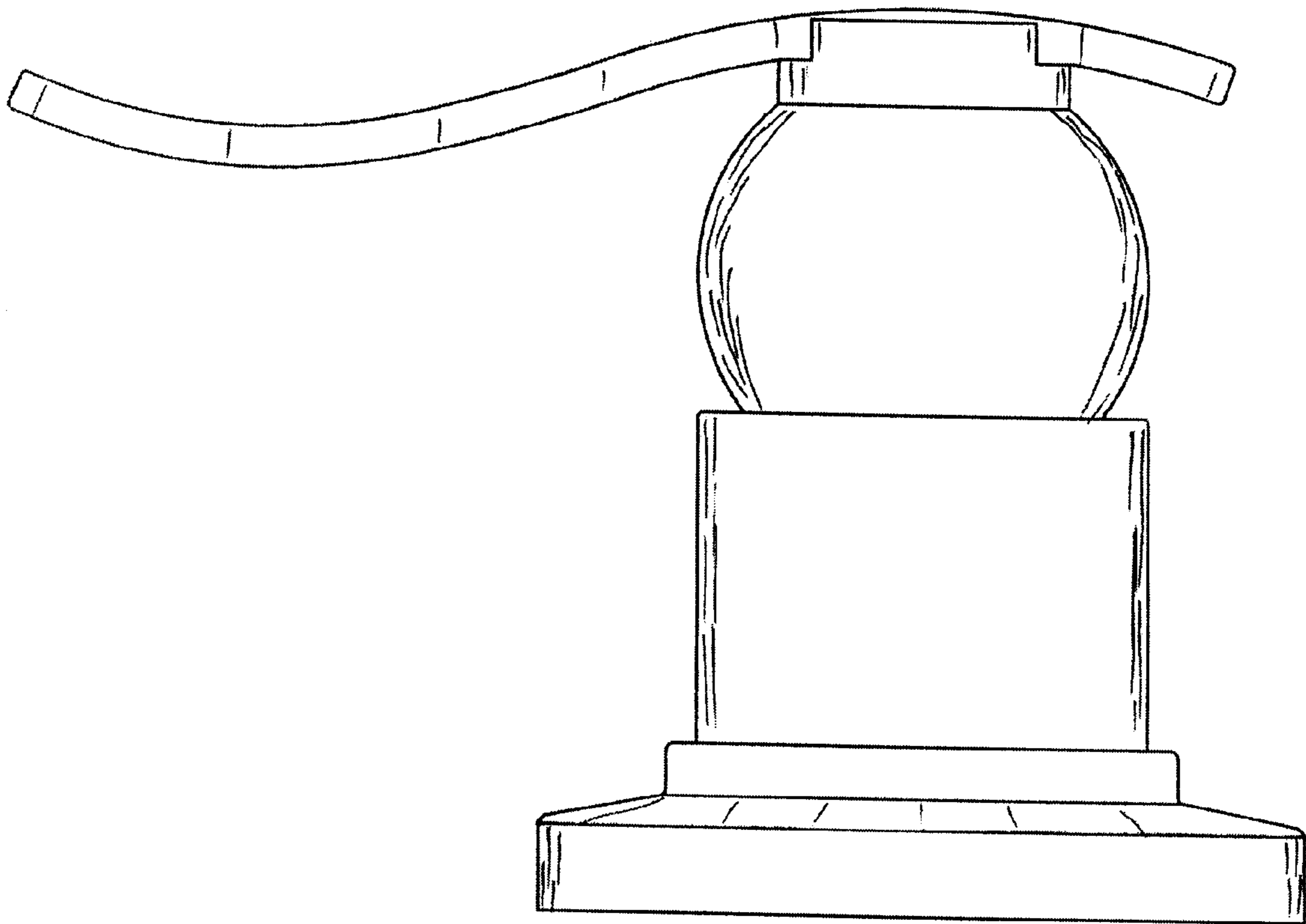
**FIG. 3**



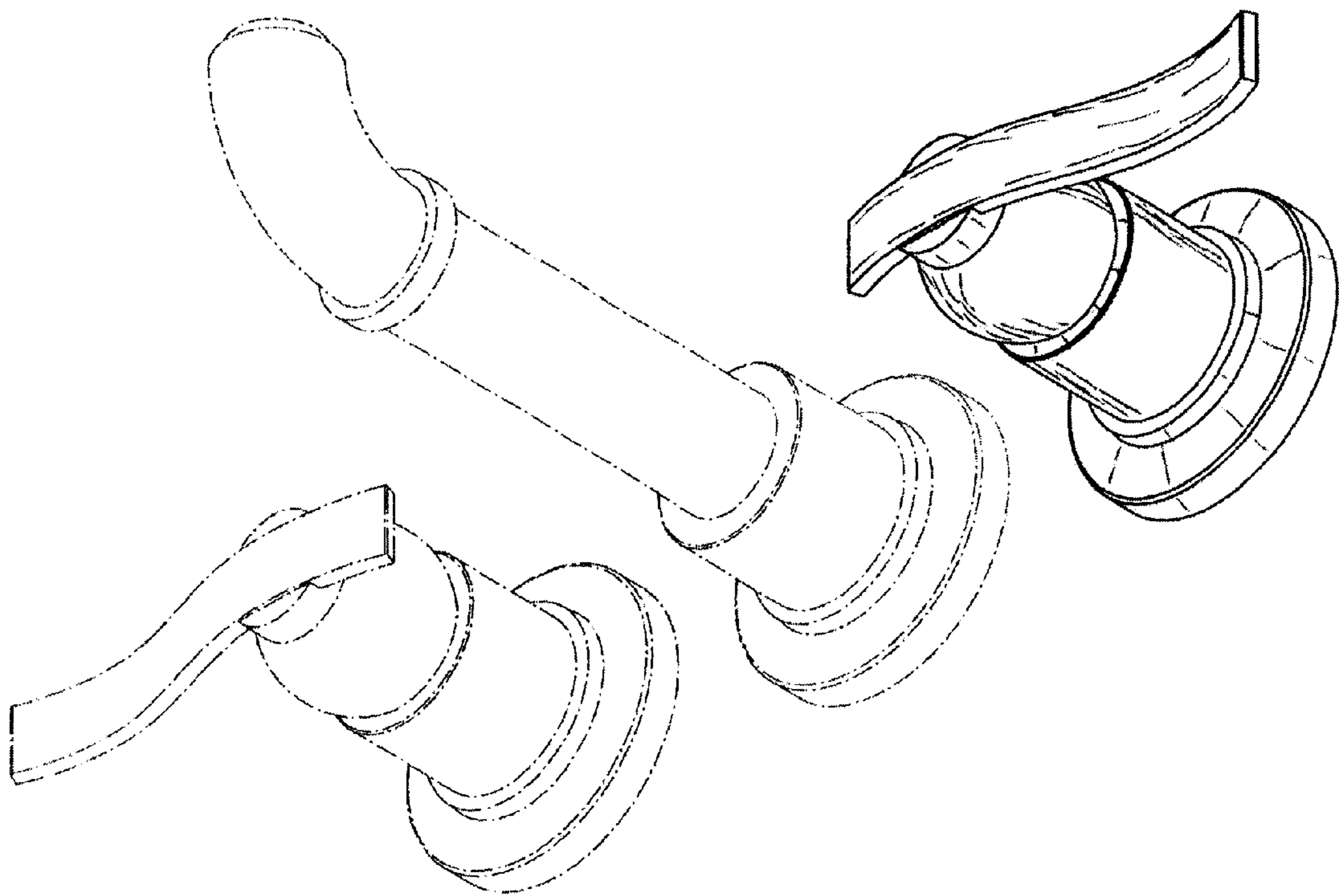
**FIG. 4**



**FIG. 5**



**FIG. 6**



**FIG. 7**