



US00D512487S

(12) **United States Design Patent** (10) **Patent No.:** **US D512,487 S**
Kulig et al. (45) **Date of Patent:** **** Dec. 6, 2005**

(54) **FAUCET HANDLE**

(75) Inventors: **Zbigniew Kulig**, Wadsworth, IL (US);
Piotr Rulka, Cracow (PL)

(73) Assignee: **Graff Faucets**, Milwaukee, WI (US)

(**) Term: **14 Years**

(21) Appl. No.: **29/200,368**

(22) Filed: **Feb. 26, 2004**

(51) **LOC (8) Cl.** **23-01**

(52) **U.S. Cl.** **D23/252**

(58) **Field of Search** D23/238–257;
D8/300–322, 350–353, DIG. 3; 16/110.1;
4/675–678

(56) **References Cited**

U.S. PATENT DOCUMENTS

D105,254 S	*	7/1937	Zinkil	D23/250
D198,397 S	*	6/1964	Dickman	D8/385
D245,095 S	*	7/1977	Murray	D8/307
D297,758 S	*	9/1988	Paul	D23/252
D312,956 S	*	12/1990	Boeri	D8/308

OTHER PUBLICATIONS

- Kulig, Zbigniew, U.S. Appl. No. 29/200,362, filed Feb. 26, 2004.*
- Kulig, Zbigniew, U.S. Appl. No. 29/210,960, filed Aug. 9, 2004.*
- Kulig, Zbigniew, U.S. Appl. No. 29/200,374, filed Feb. 26, 2004.*
- Kulig, Zbigniew, U.S. Appl. No. 29/200,372, filed Feb. 26, 2004.*
- Kulig, Zbigniew, U.S. Appl. No. 29/200,370, filed Feb. 26, 2004.*
- Kulig, Zbigniew et. al., U.S. Appl. No. 29/200,367, filed Feb. 26, 2004.*
- Kulig, Zbigniew et. al., U.S. Appl. No. 29/200,363, filed Feb. 26, 2004.*

- Kulig, Zbigniew et. al., U.S. Appl. No. 29/200,364, filed Feb. 26, 2004.*
- Kulig, Zbigniew et. al., U.S. Appl. No. 29/200,375, filed Feb. 26, 2004.*
- Kulig, Zbigniew et. al., U.S. Appl. No. 29/200,361, filed Feb. 26, 2004.*
- Kulig, Zbigniew et. al., U.S. Appl. No. 29/200,369, filed Feb. 26, 2004.*
- Kulig, Zbigniew, U.S. Appl. No. 29/200,371, filed Feb. 26, 2004.*
- Kulig, Zbigniew, U.S. Appl. No. 29/200,366, filed Feb. 26, 2004.*
- Kulig, Zbigniew et. al., U.S. Appl. No. 29/200,373, filed Feb. 26, 2004.*

(Continued)

Primary Examiner—Louis S. Zarfaz
Assistant Examiner—Gregory Andoll
(74) *Attorney, Agent, or Firm*—Boyle Fredrickson
Newholm Stein & Gratz S.C.

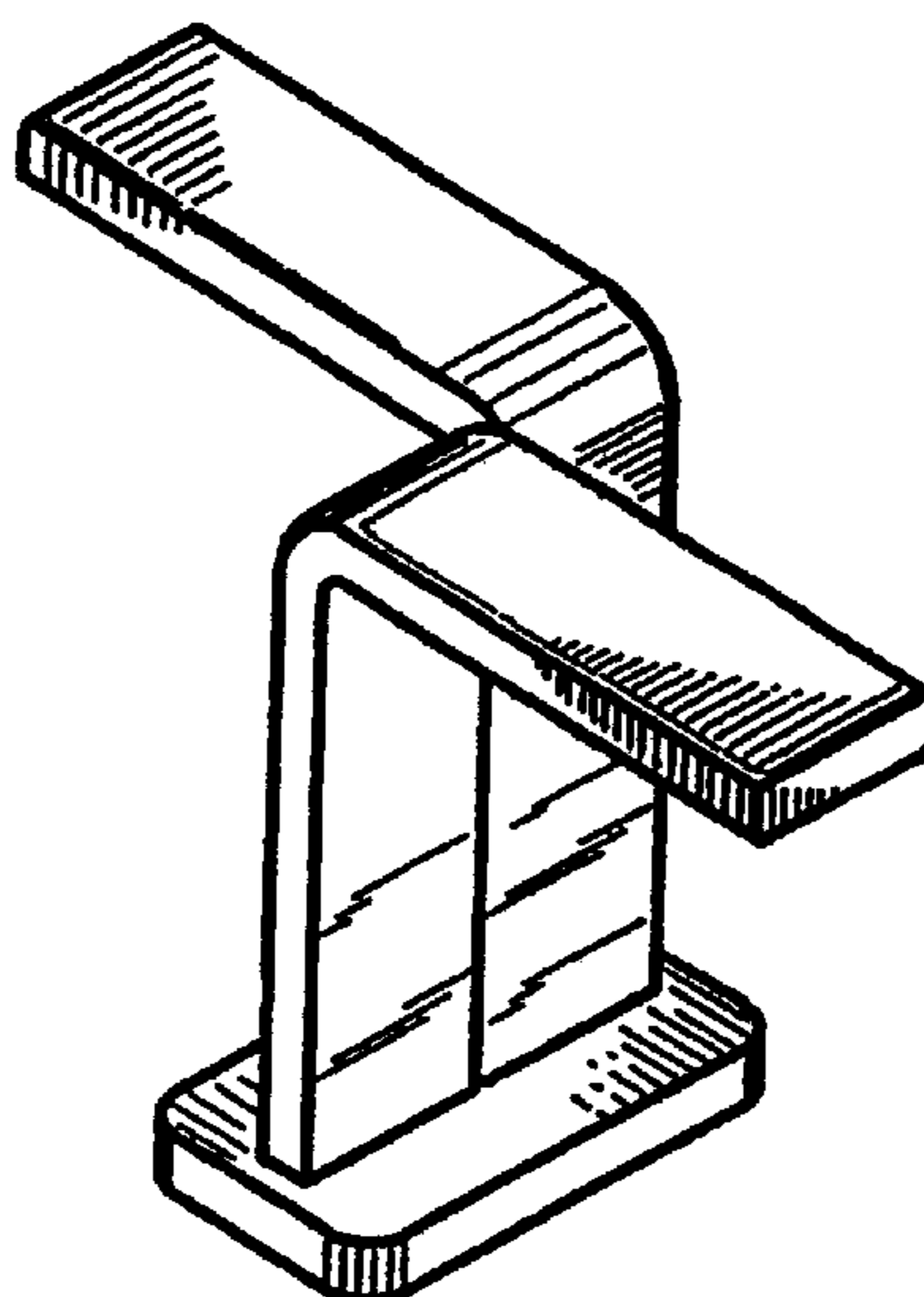
(57) **CLAIM**

The ornamental design for a faucet handle, as shown and described.

DESCRIPTION

FIG. 1 is perspective view of a faucet handle incorporating our new design, viewed from in front of, above, and from the left side of the faucet;
FIG. 2 is a front elevation view thereof, with the rear being a mirror image thereof;
FIG. 3 is a top plan view thereof;
FIG. 4 is a bottom plan view thereof;
FIG. 5 is a left-side elevation view thereof, with the right side being a mirror image of the left side; and,
FIG. 6 is a perspective view showing the faucet handle of FIGS. 1–6 in combination with the remainder of a faucet in which the handle is usable.
The broken lines in FIGS. 4 and 6 are for illustrative purposes only and form no part of the claimed design.

1 Claim, 6 Drawing Sheets



OTHER PUBLICATIONS

Kulig, Zbigniew, U.S. Appl. No. 29/200,365, filed Feb. 26, 2004.*

Kulig, Zbigniew, U.S. Appl. No. 29/200,423, filed Feb. 26, 2004.*

Kulig, Zbigniew et. al., U.S. Appl. No. 29/203,608, filed Apr. 16, 2004.*

Kulig, Zbigniew et. al., U.S. Appl. No. 29/203,606, filed Apr. 16, 2004.*

Kulig, Zbigniew, U.S. Appl. No. 29/206,908, filed Jun. 4, 2004.*

Kulig, Zbigniew, U.S. Appl. No. 29/211,662, filed Aug. 19, 2004.*

Kulig, Zbigniew, U.S. Appl. No. 29/220,253, filed Dec. 28, 2004.*

Kulig, Zbigniew, U.S. Appl. No. 29/220,262, filed Dec. 28, 2004.*

Kulig, Zbigniew, U.S. Appl. No. 29/220,263, filed Dec. 28, 2004.*

Kulig, Zbigniew, U.S. Appl. No. 29/220,235, filed Dec. 28, 2004.*

Kulig, Zbigniew, U.S. Appl. No. 29/220,197, filed Dec. 28, 2004.*

Kulig, Zbigniew, U.S. Appl. No. 29/220,238, filed Dec. 28, 2004.*

Kulig, Zbigniew, U.S. Appl. No. 29/220,248, filed Dec. 28, 2004.*

Kulig, Zbigniew, U.S. Appl. No. 29/220,239, filed Dec. 28, 2004.*

* cited by examiner

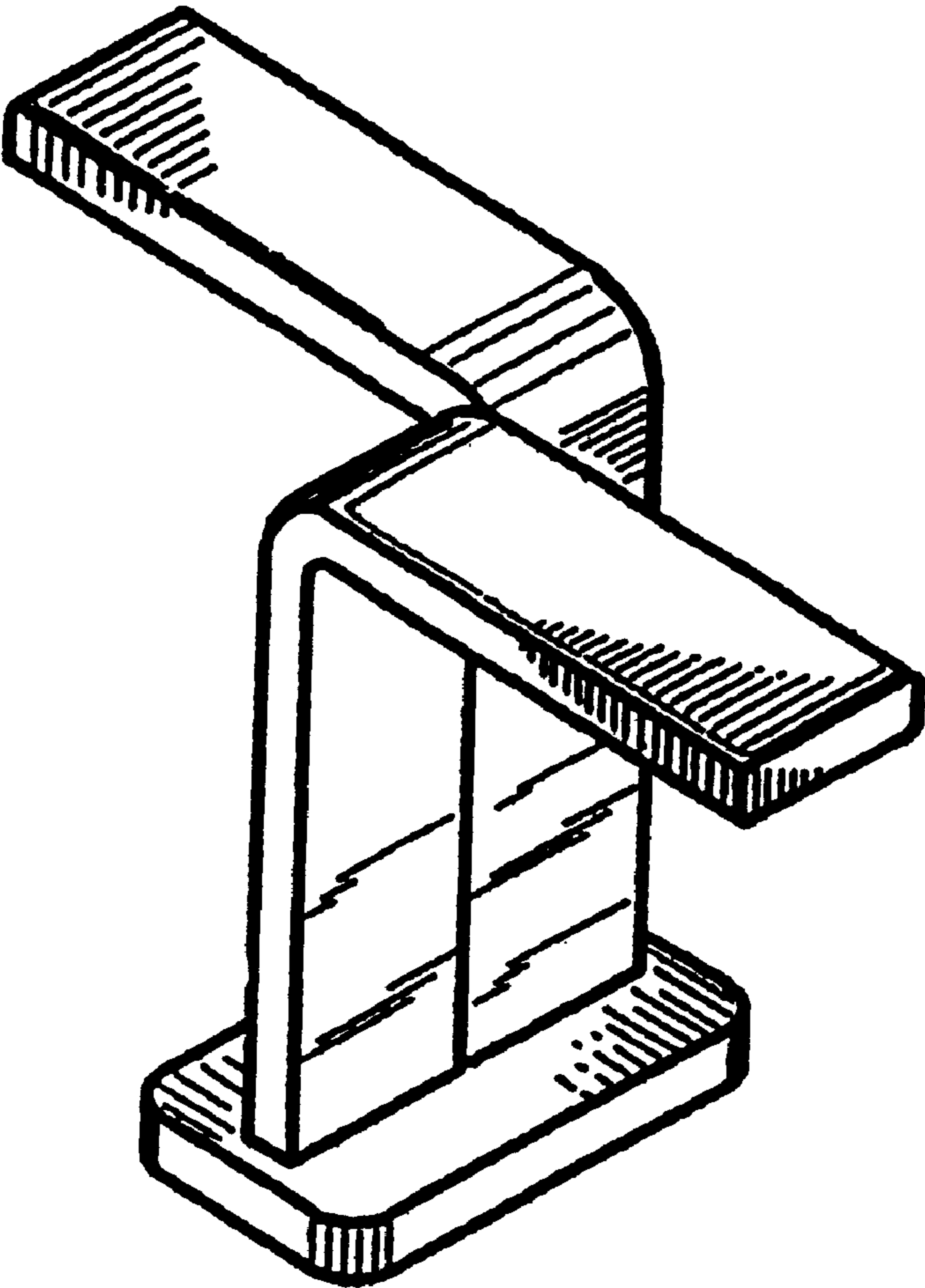


FIG. 1

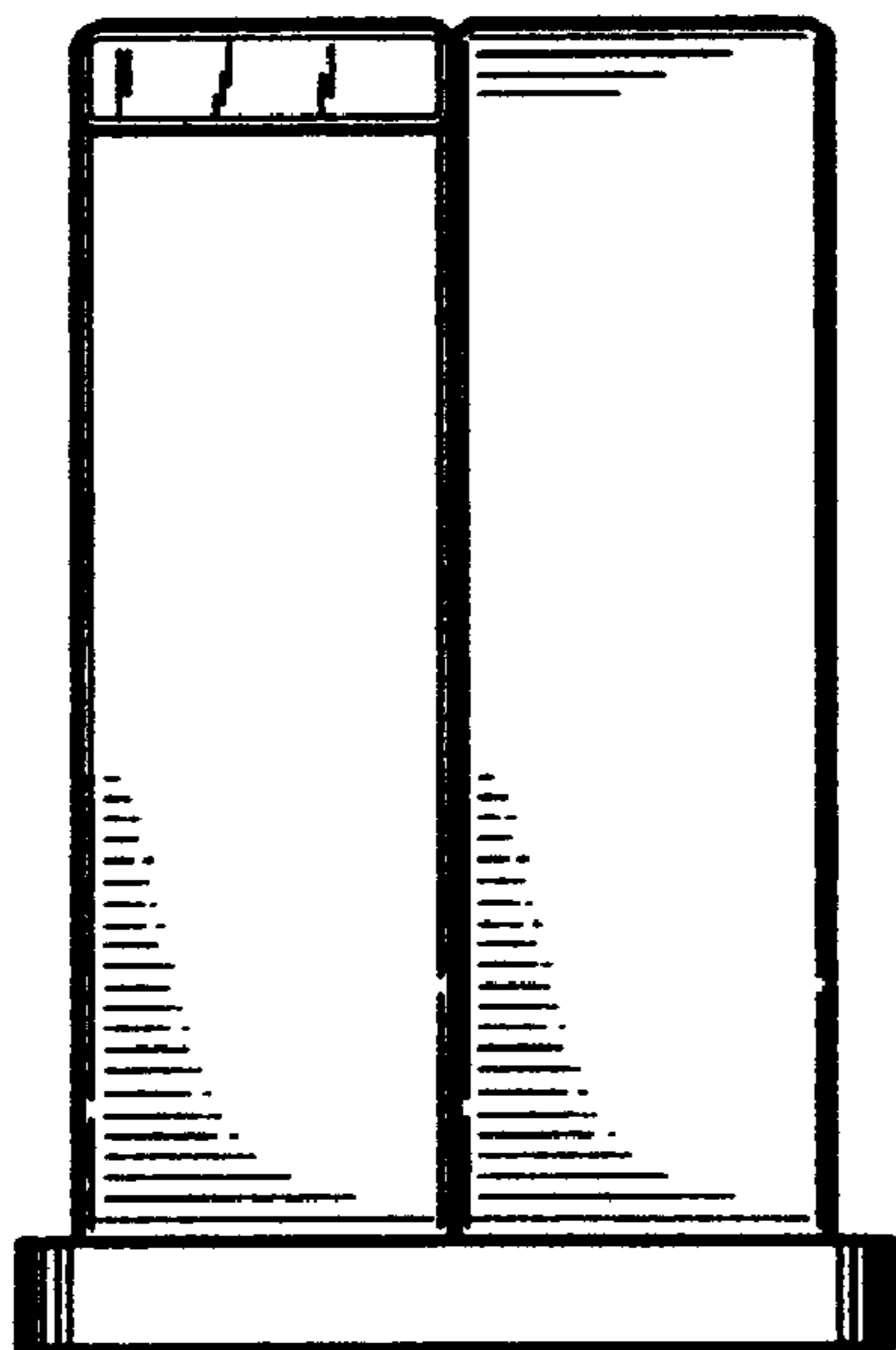


FIG. 2

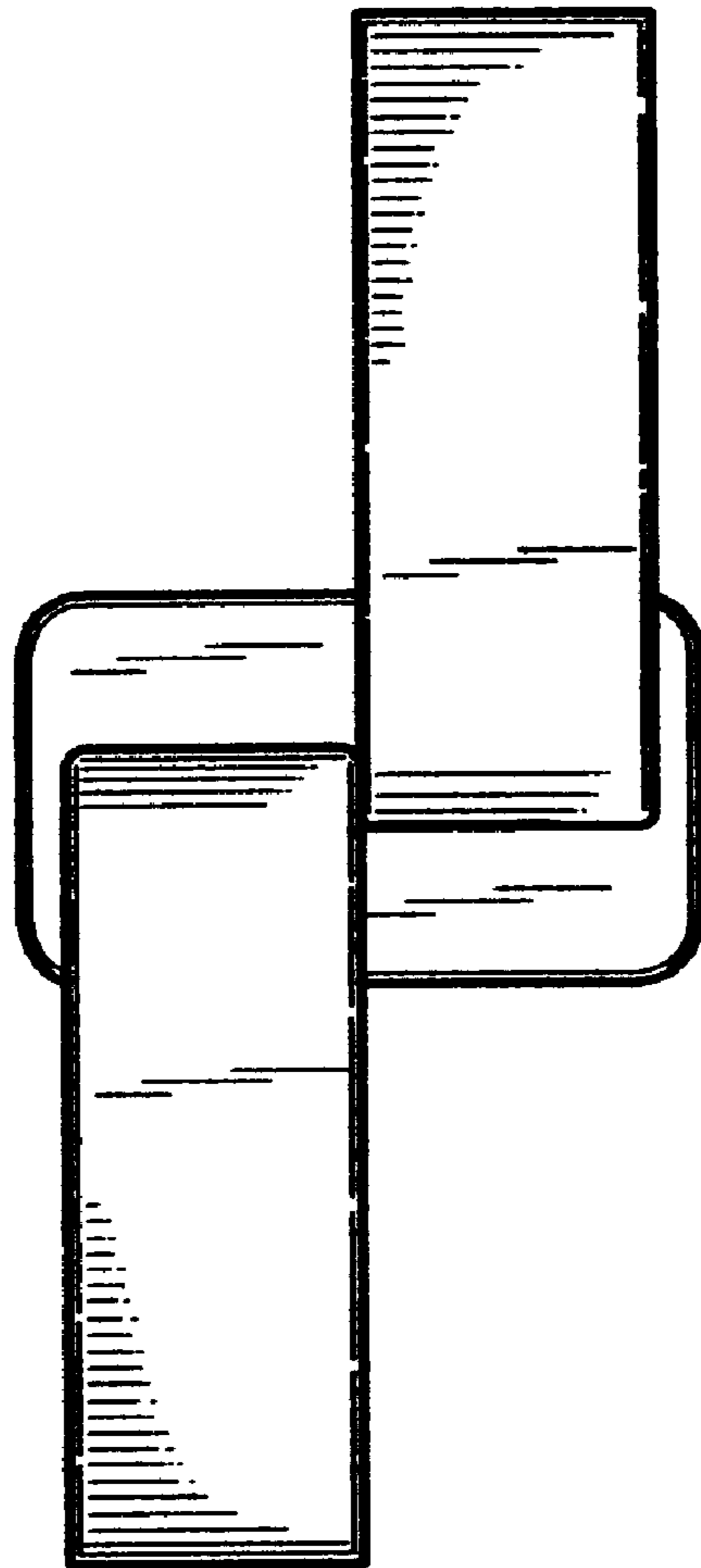


FIG. 3

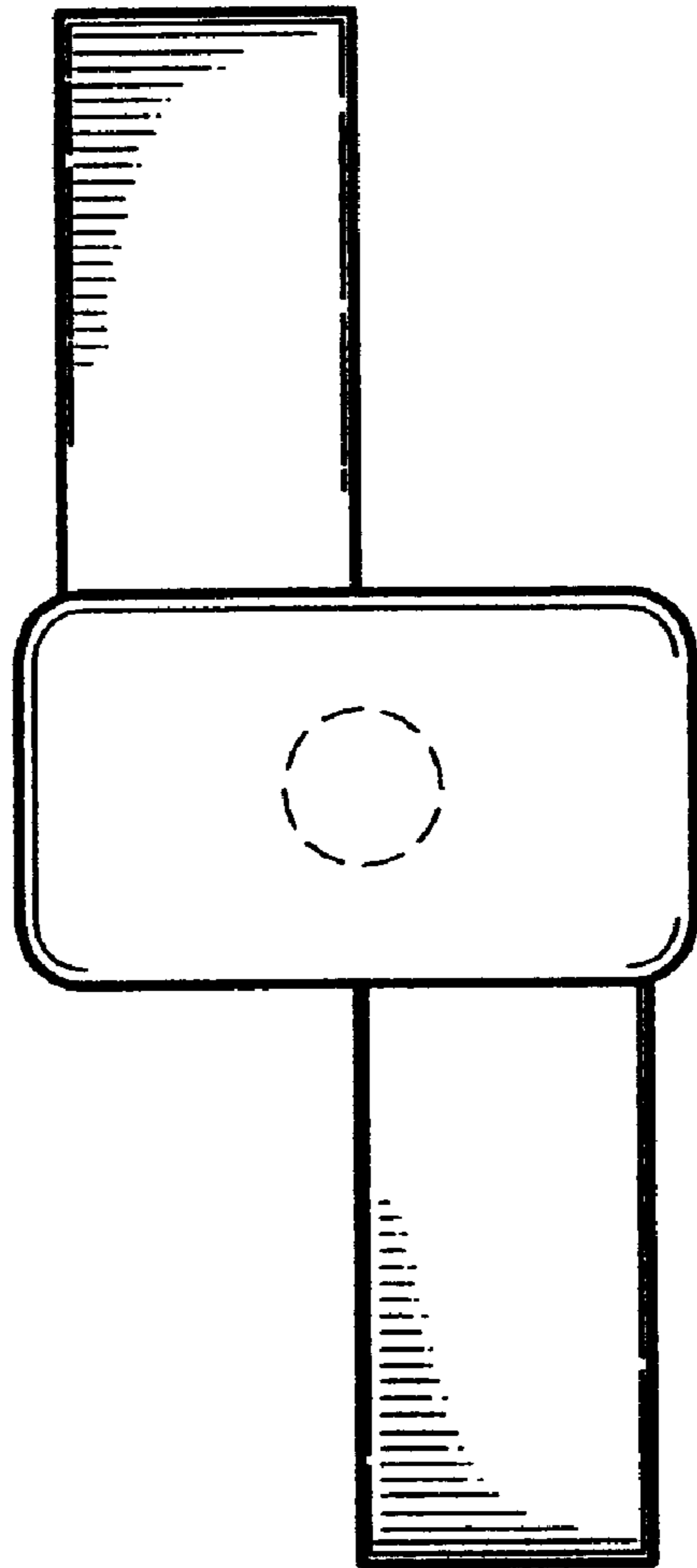


FIG. 4

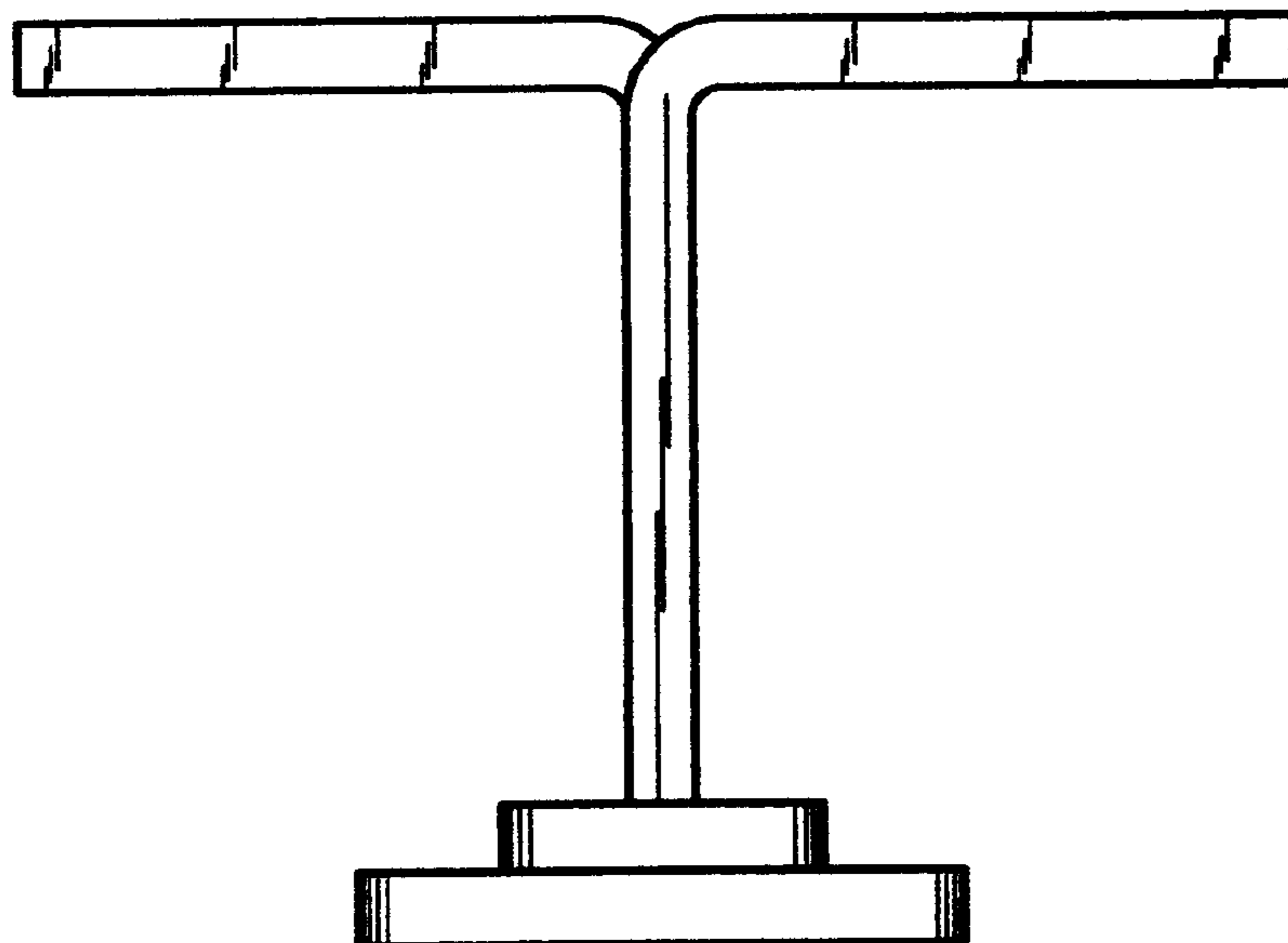


FIG. 5

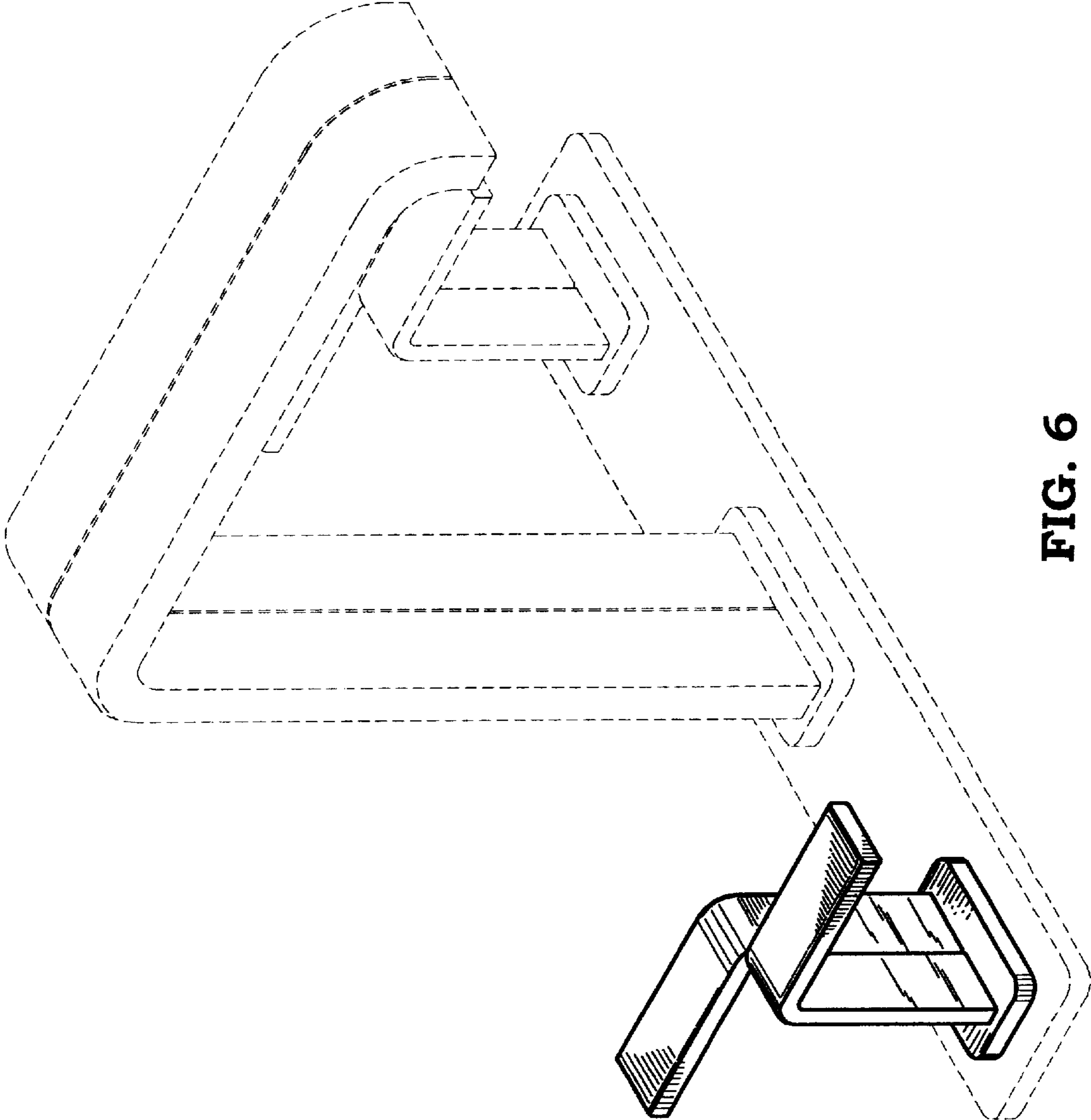


FIG. 6