



US00D512485S

(12) **United States Design Patent** (10) **Patent No.:** **US D512,485 S**
Kulig (45) **Date of Patent:** **** Dec. 6, 2005**

(54) **FAUCET**

(75) Inventor: **Zbigniew Kulig**, Milwaukee, WI (US)

(73) Assignee: **Graff Faucets**, Milwaukee, WI (US)

(**) Term: **14 Years**

(21) Appl. No.: **29/220,235**

(22) Filed: **Dec. 28, 2004**

(51) **LOC (8) Cl.** **23-01**

(52) **U.S. Cl.** **D23/241; D23/242**

(58) **Field of Search** **D23/238-257;**
4/675-678; 137/801

(56) **References Cited**

U.S. PATENT DOCUMENTS

D349,326 S	8/1994	Bollenbacher	
D461,531 S	8/2002	Ouyoung	
D461,532 S	* 8/2002	Ouyoung D23/242
D464,710 S	10/2002	Lord	
D465,010 S	10/2002	Lord	
D465,265 S	11/2002	Czerwinski et al.	
D465,834 S	11/2002	Singtoroj	
D466,981 S	* 12/2002	Cosolito et al. D23/242
D469,854 S	* 2/2003	Ouyoung D23/242
D470,917 S	2/2003	Friedrich	
D471,256 S	* 3/2003	Friedrich D23/242
D472,607 S	* 4/2003	Warshawsky et al. D23/238
D472,608 S	* 4/2003	Shieh D23/241
D473,929 S	4/2003	Warshawsky et al.	
D474,834 S	5/2003	Czerwinski, Jr. et al.	
D478,153 S	* 8/2003	Friedrich D23/242
D489,795 S	* 5/2004	Gacek et al. D23/238

OTHER PUBLICATIONS

Kulig, Zbigniew, U.S. Appl. No. 29/200,362 filed Feb. 26, 2004.*

Kulig, Zbigniew, U.S. Appl. No. 29/210,960 filed Aug. 9, 2004.*

Kulig, Zbigniew, U.S. Appl. No. 29/200,374 filed Feb. 26, 2004.*

(Continued)

Primary Examiner—Louis S. Zarfaz

Assistant Examiner—Gregory Andoll

(74) *Attorney, Agent, or Firm*—Boyle Fredrickson Newholm Stein & Gratz S.C.

(57) **CLAIM**

The ornamental design for a faucet, as shown and described.

DESCRIPTION

FIG. 1 is perspective view of a faucet incorporating my new design, viewed from in front of, above, and from the left side of the faucet and shown in combination with the remainder of a faucet with which it is usable;

FIG. 2 is a front elevation view thereof;

FIG. 3 is a rear elevation view thereof;

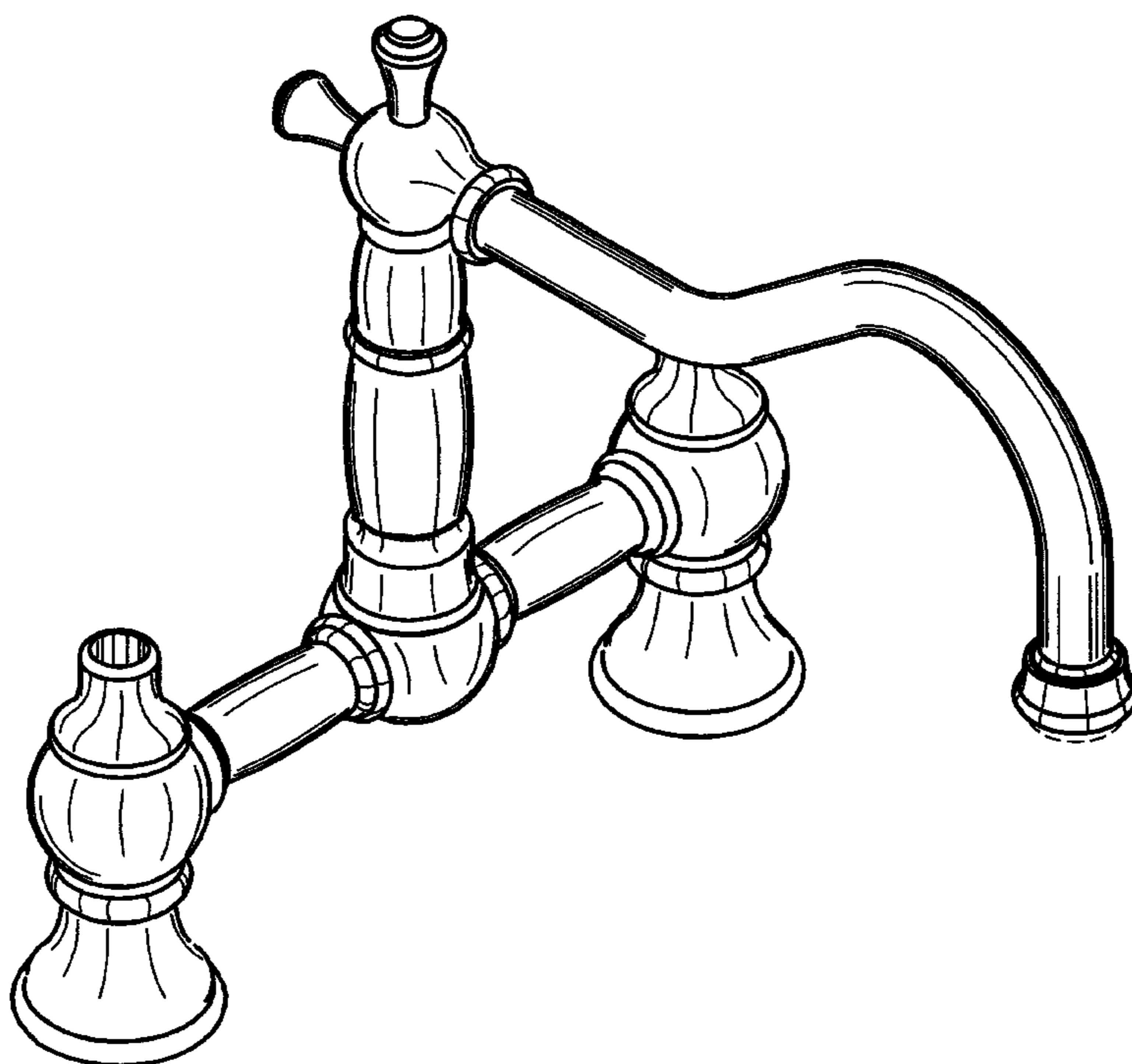
FIG. 4 is a top plan view thereof;

FIG. 5 is a bottom plan view thereof; and,

FIG. 6 is a left-side elevation view thereof with the right side being a mirror image of the left side.

The broken lines in FIG. 5 are for illustrative purposes only and form no part of the claimed design.

1 Claim, 6 Drawing Sheets



OTHER PUBLICATIONS

- Kulig, Zbigniew, U.S. Appl. No. 29/200,372 filed Feb. 26, 2004.*
- Kulig, Zbigniew, U.S. Appl. No. 29/200,370 filed Feb. 26, 2004.*
- Kulig, Zbigniew et. al., U.S. Appl. No. 29/200,367 filed Feb. 26, 2004.*
- Kulig, Zbigniew et. al., U.S. Appl. No. 29/200,363 filed Feb. 26, 2004.*
- Kulig, Zbigniew et. al., U.S. Appl. No. 29/200,364 filed Feb. 26, 2004.*
- Kulig, Zbigniew et. al., U.S. Appl. No. 29/200,375 filed Feb. 26, 2004.*
- Kulig, Zbigniew et. al., U.S. Appl. No. 29/200,361 filed Feb. 26, 2004.*
- Kulig, Zbigniew et. al., U.S. Appl. No. 29/200,369 filed Feb. 26, 2004.*
- Kulig, Zbigniew et. al., U.S. Appl. No. 29/200,368 filed Feb. 26, 2004.*
- Kulig, Zbigniew, U.S. Appl. No. 29/200,371 filed Feb. 26, 2004.*
- Kulig, Zbigniew, U.S. Appl. No. 29/200,366 filed Feb. 26, 2004.*
- Kulig, Zbigniew et. al., U.S. Appl. No. 29/200,373 filed Feb. 26, 2004.*
- Kulig, Zbigniew, U.S. Appl. No. 29/200,365 filed Feb. 26, 2004.*
- Kulig, Zbigniew, U.S. Appl. No. 29/200,423 filed Feb. 26, 2004.*
- Kulig, Zbigniew et. al., U.S. Appl. No. 29/203,608 filed Apr. 16, 2004.*
- Kulig, Zbigniew et. al., U.S. Appl. No. 29/203,606 filed Apr. 16, 2004.*
- Kulig, Zbigniew, U.S. Appl. No. 29/206,908 filed Jun. 4, 2004.*
- Kulig, Zbigniew, U.S. Appl. No. 29/211,662 filed Aug. 19, 2004.*
- Kulig, Zbigniew, U.S. Appl. No. 29/220,262 filed Dec. 28, 2004.*
- Kulig, Zbigniew, U.S. Appl. No. 29/220,263 filed Dec. 28, 2004.*
- Kulig, Zbigniew, U.S. Appl. No. 29/220,235 filed Dec. 28, 2004.*
- Kulig, Zbigniew, U.S. Appl. No. 29/220,197 filed Dec. 28, 2004.*
- Kulig, Zbigniew, U.S. Appl. No. 29/220,238 filed Dec. 28, 2004.*
- Kulig, Zbigniew, U.S. Appl. No. 29/220,248 filed Dec. 28, 2004.*
- Kulig, Zbigniew, U.S. Appl. No. 29/220,239 filed Dec. 28, 2004.*
- BLANCO America, *Kitchen Faucets*, http://www.blancoamerica.com/kitchen_faucets.html (pp. 1-6) (May 12, 2004).
- BLANCO America, *Decorative Bar Faucets*, http://www.blancoamerica.com/bar_faucets.html (pp. 1-2) (May 12, 2004).
- Kulig et al., U.S. Appl. No. 29/200,375, filed Feb. 26, 2004, entitled *Faucet*.
- Kulig et al., U.S. Appl. No. 29/206,908, filed Jun. 4, 2004, entitled *Faucet*.

* cited by examiner

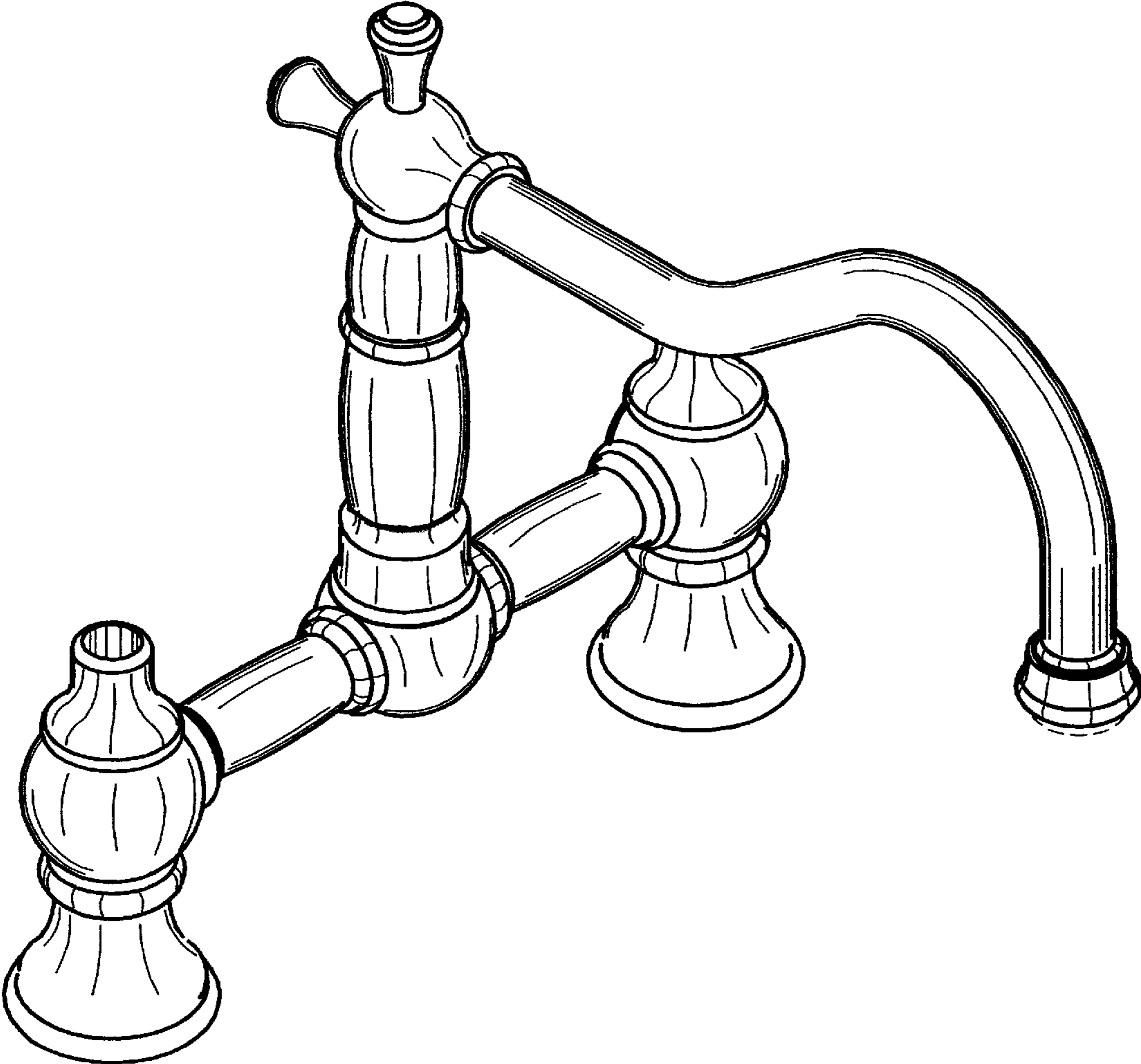


FIG. 1

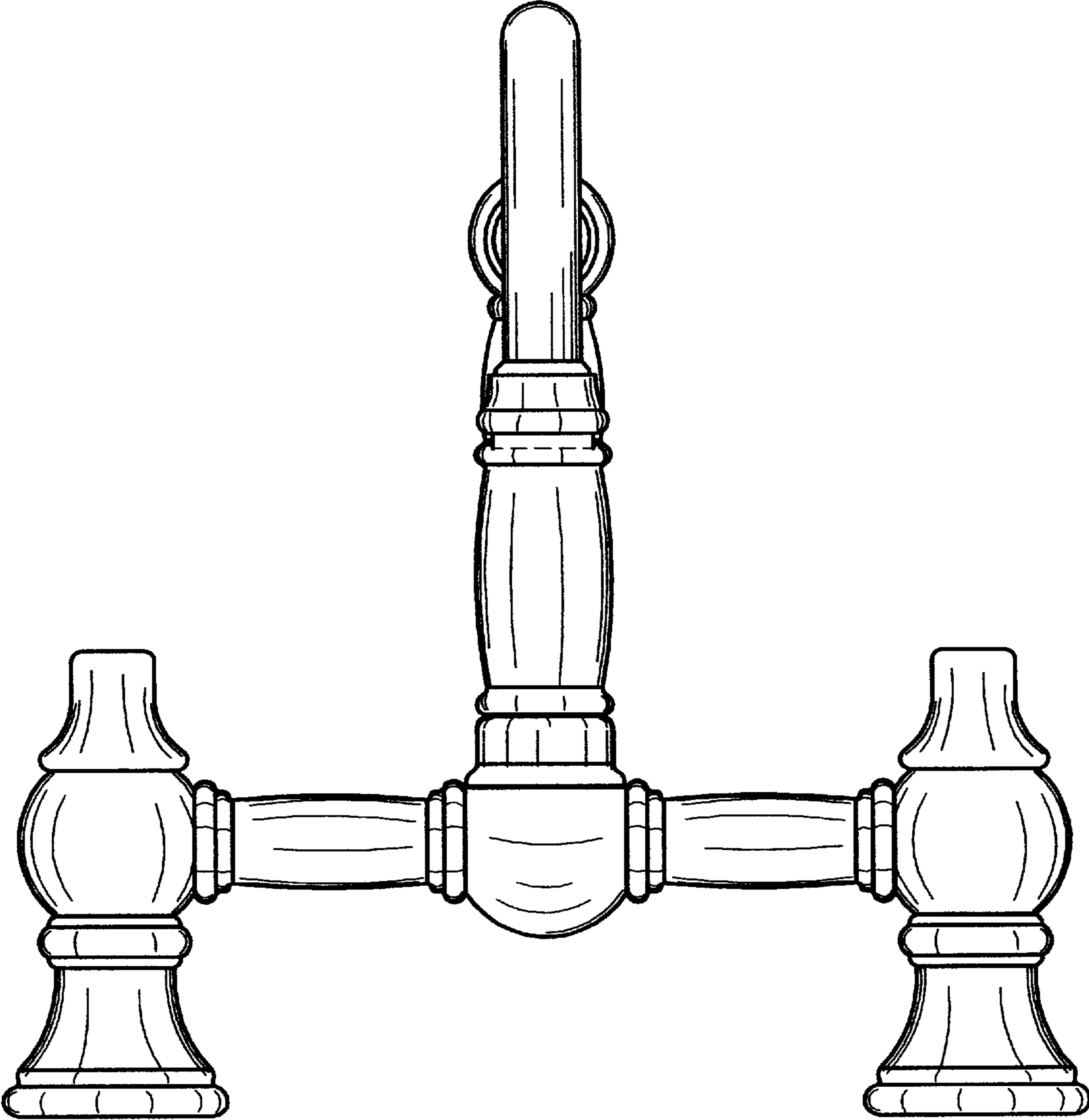


FIG. 2

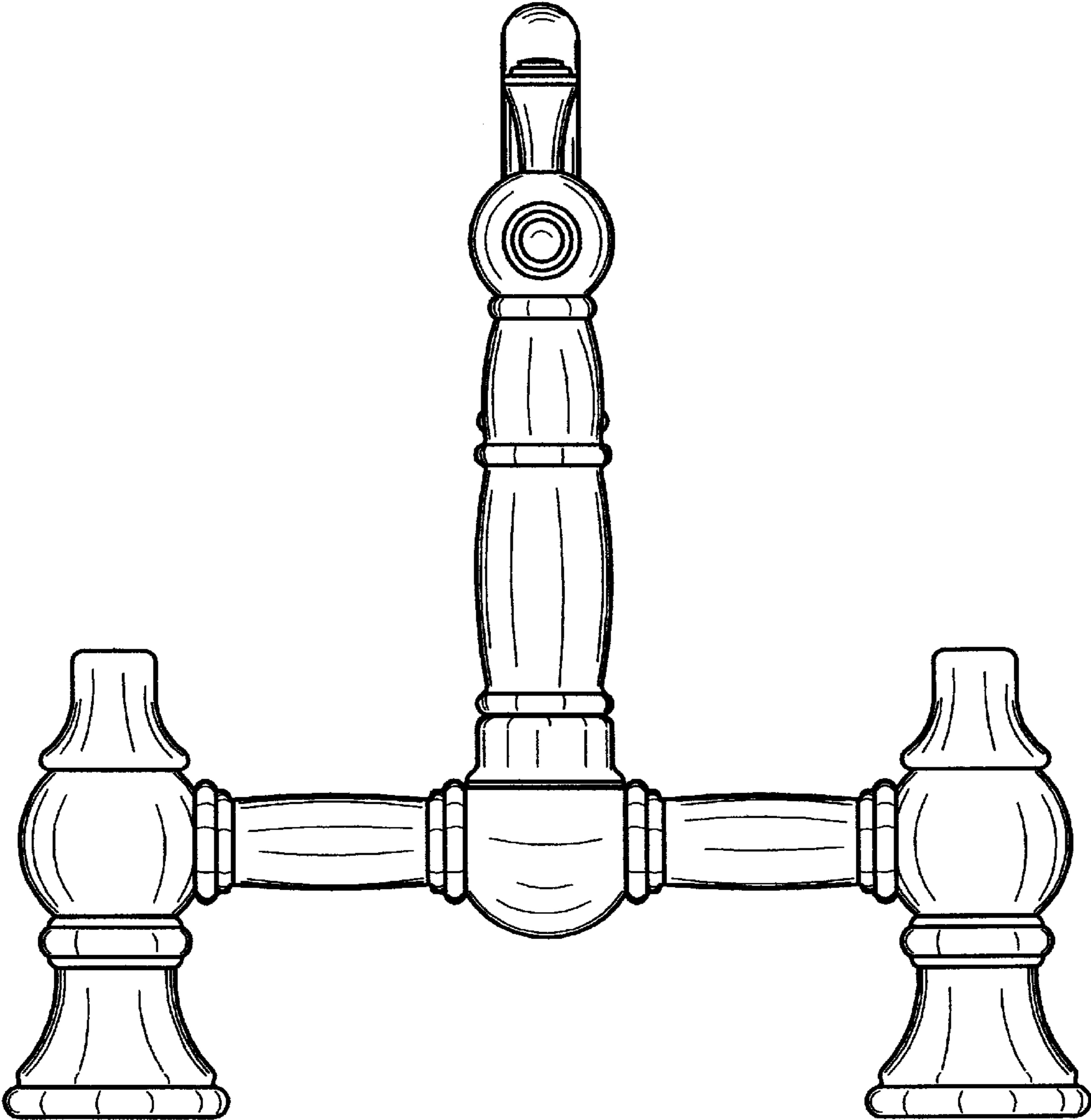


FIG. 3

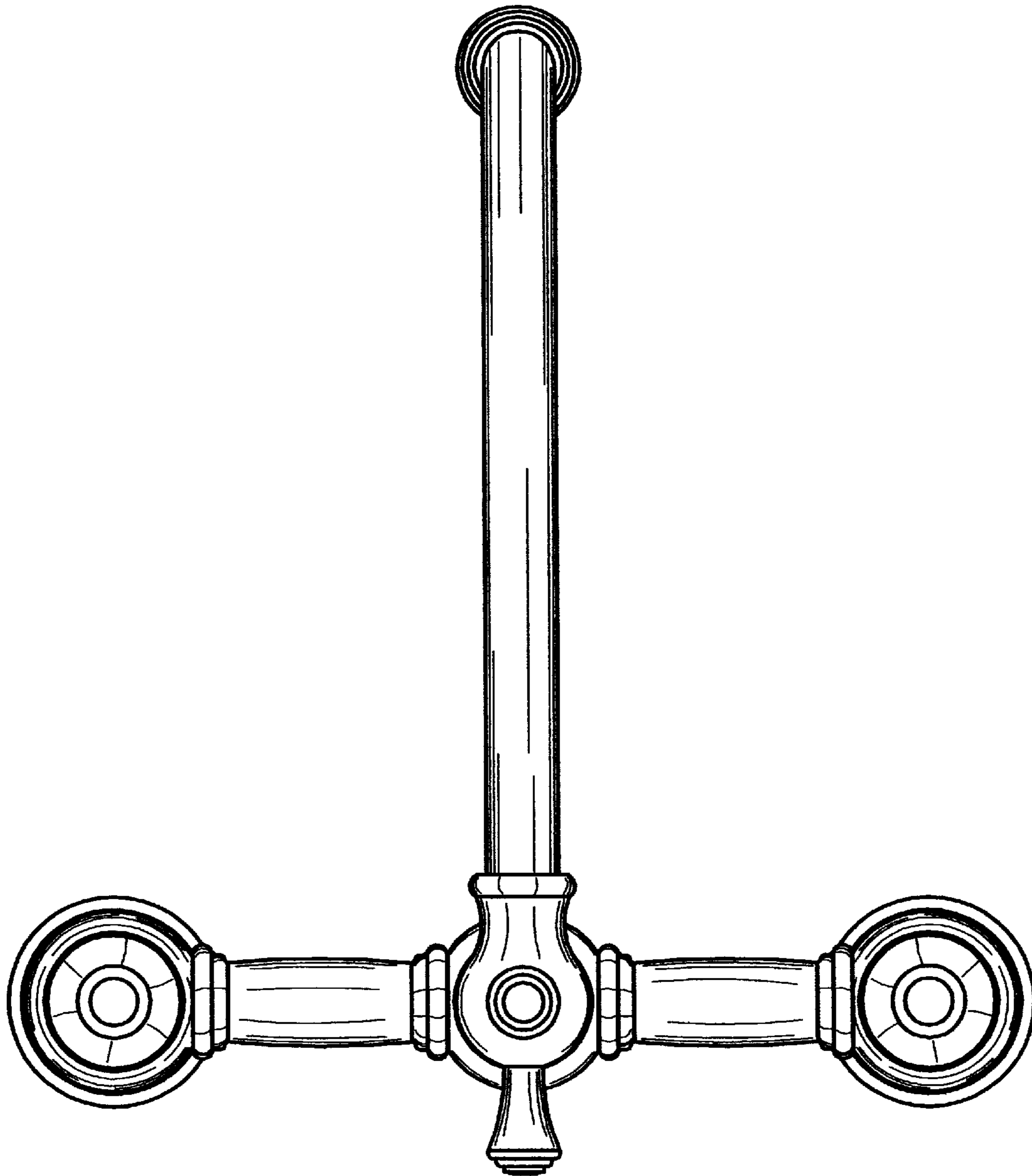


FIG. 4

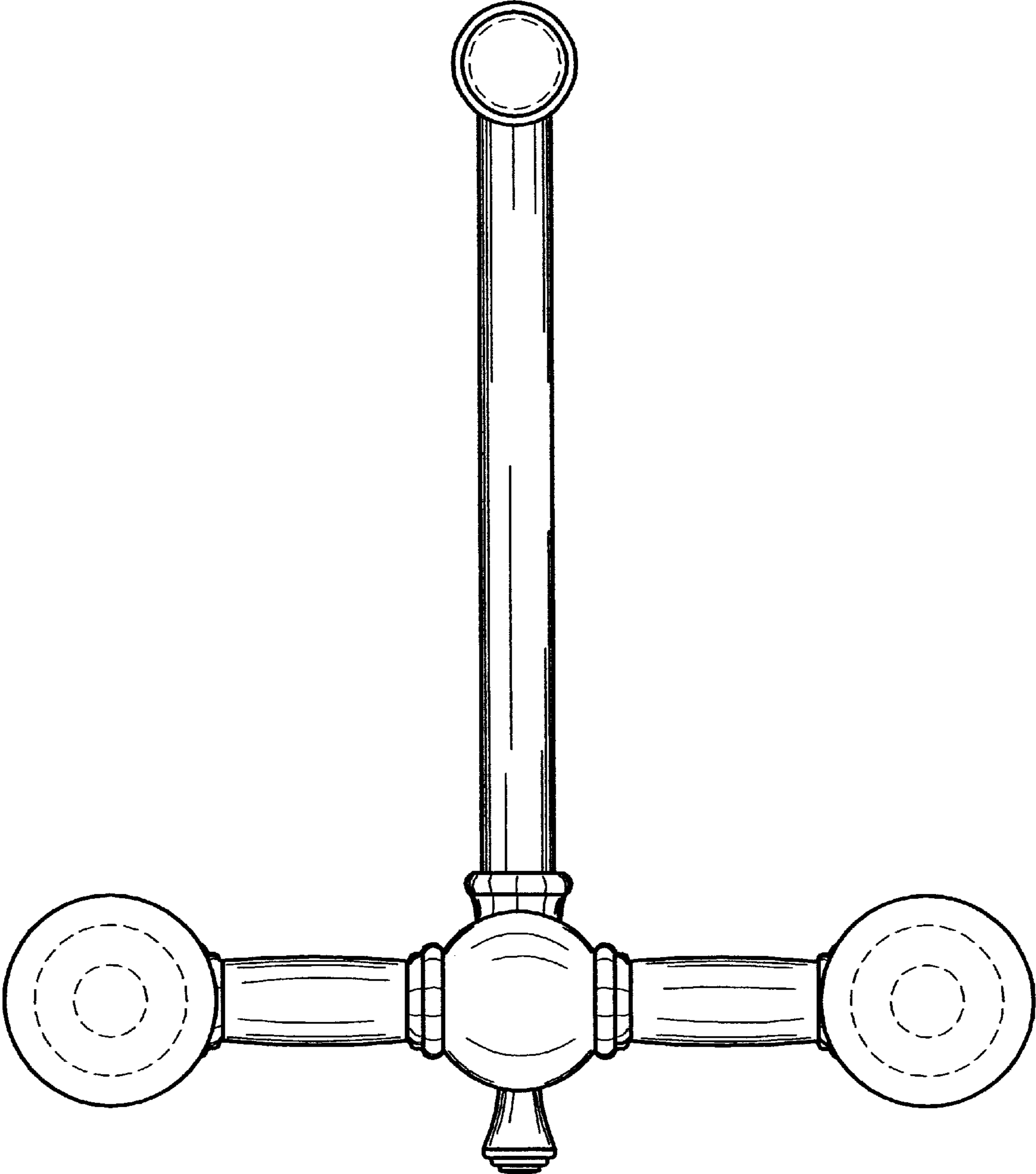


FIG. 5

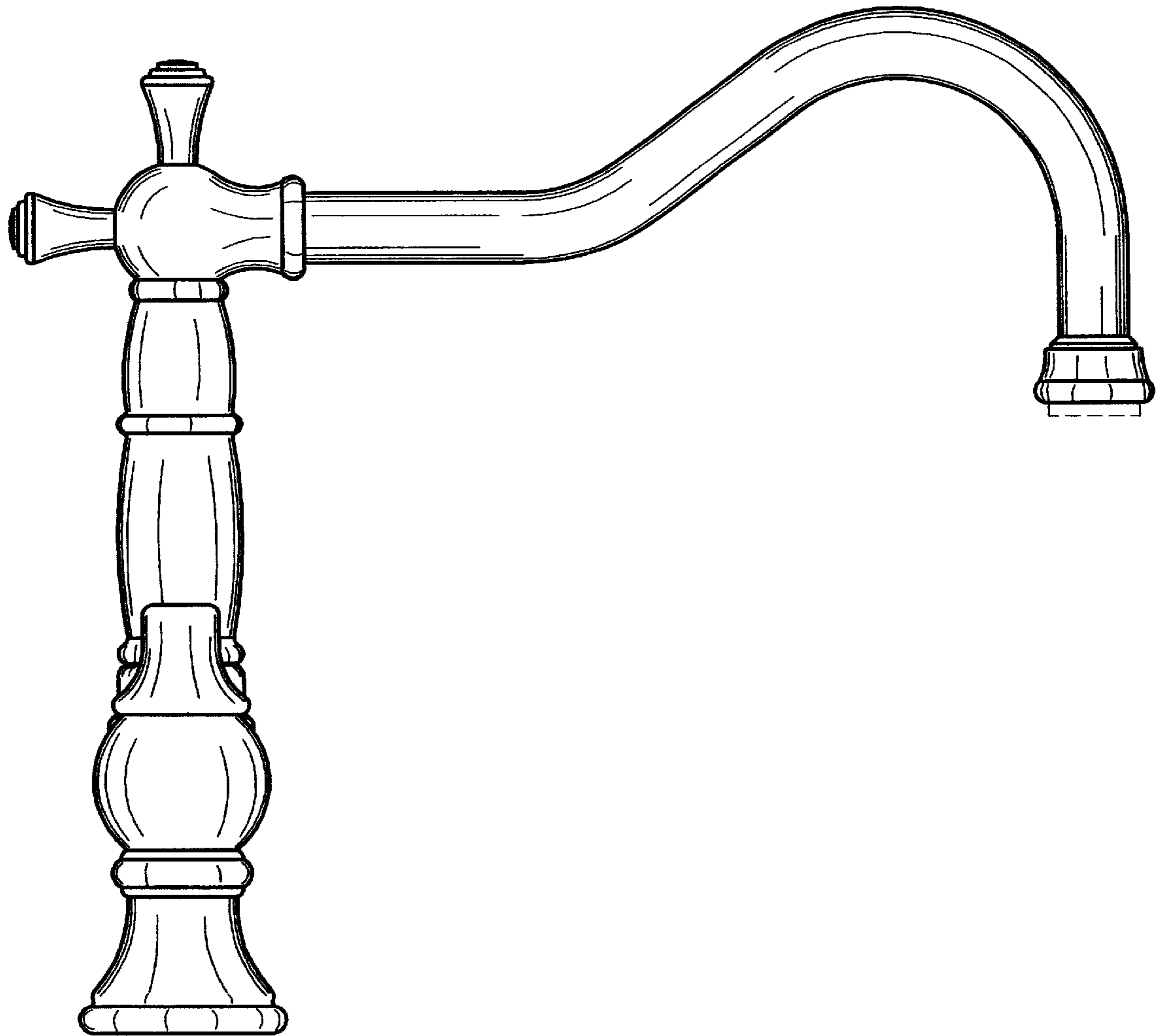


FIG. 6