



US00D512483S

(12) **United States Design Patent**
Paini

(10) **Patent No.:** **US D512,483 S**
(45) **Date of Patent:** **** Dec. 6, 2005**

(54) **TAP**
(75) **Inventor:** **Marco Paini**, Pugno-Novara (IT)
(73) **Assignee:** **Paini S.p.A.**, Novara (IT)
(**) **Term:** **14 Years**

D265,229 S * 6/1982 Paul D23/242
D442,262 S * 5/2001 Kuhlman D23/241
D468,410 S * 1/2003 Hundley D23/255
D479,583 S * 9/2003 Citterio D23/242
D503,217 S * 3/2005 Aubry et al. D23/255

* cited by examiner

(21) **Appl. No.:** **29/198,438**
(22) **Filed:** **Jan. 30, 2004**

Primary Examiner—Louis S. Zarfaz
Assistant Examiner—Gregory Andoll
(74) *Attorney, Agent, or Firm*—Hogan & Hartson L.L.P.

(30) **Foreign Application Priority Data**

Aug. 1, 2003 (IT) MI2003O000351
Sep. 12, 2003 (IT) MI2003O000364

(57) **CLAIM**

The ornamental design for a tap, as shown and described.

(51) **LOC (8) Cl.** **23-01**
(52) **U.S. Cl.** **D23/238; D23/255**
(58) **Field of Search** **D23/238–257;**
4/675–678; 137/801

DESCRIPTION

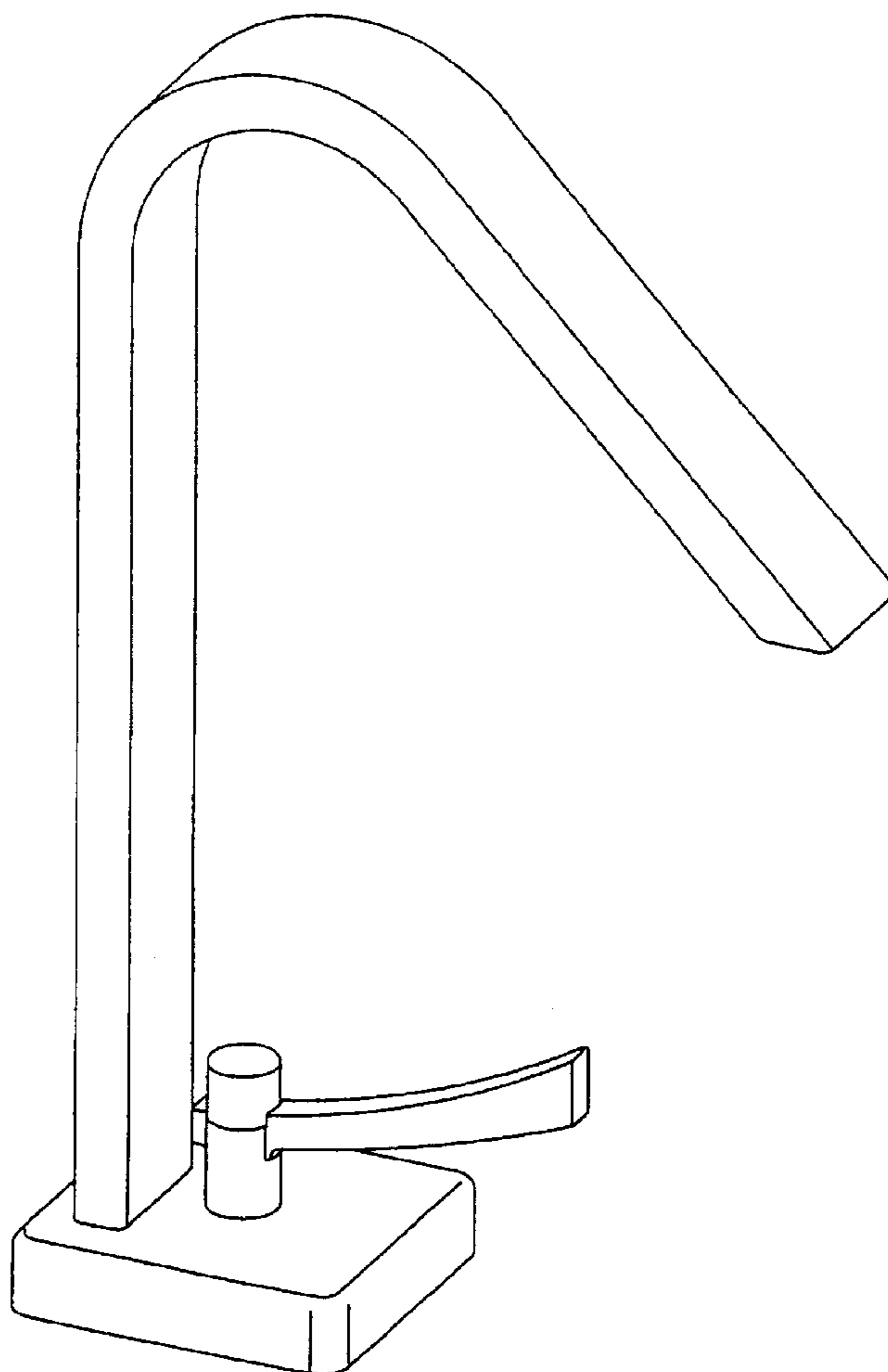
FIG. 1 is a perspective view of the tap;
FIG. 2 is a side view of the tap;
FIG. 3 is a front view of the tap; and,
FIG. 4 is a top view of the tap.

(56) **References Cited**

U.S. PATENT DOCUMENTS

D106,319 S * 10/1937 Morgan D23/243

1 Claim, 3 Drawing Sheets



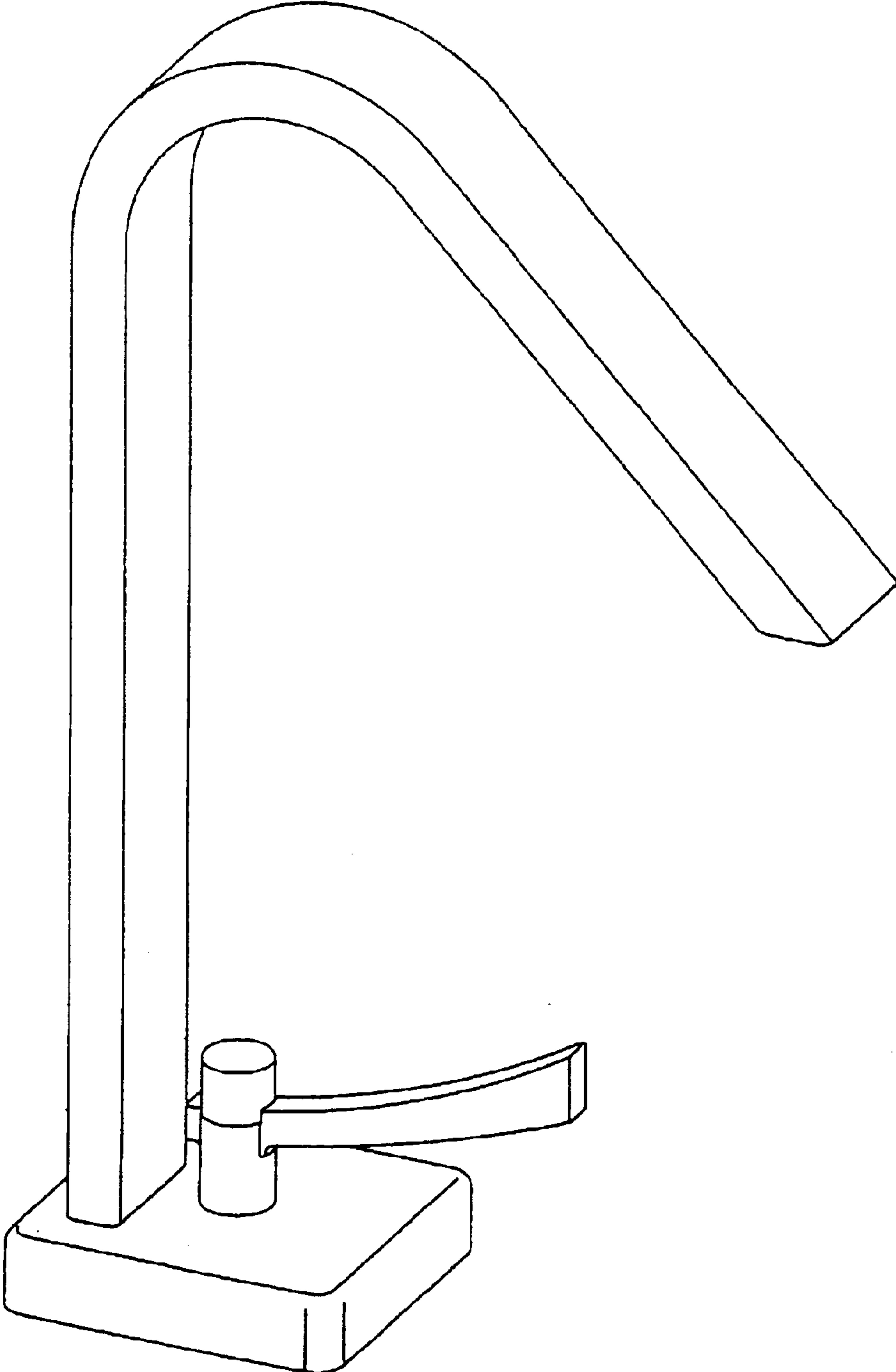


Fig. 1

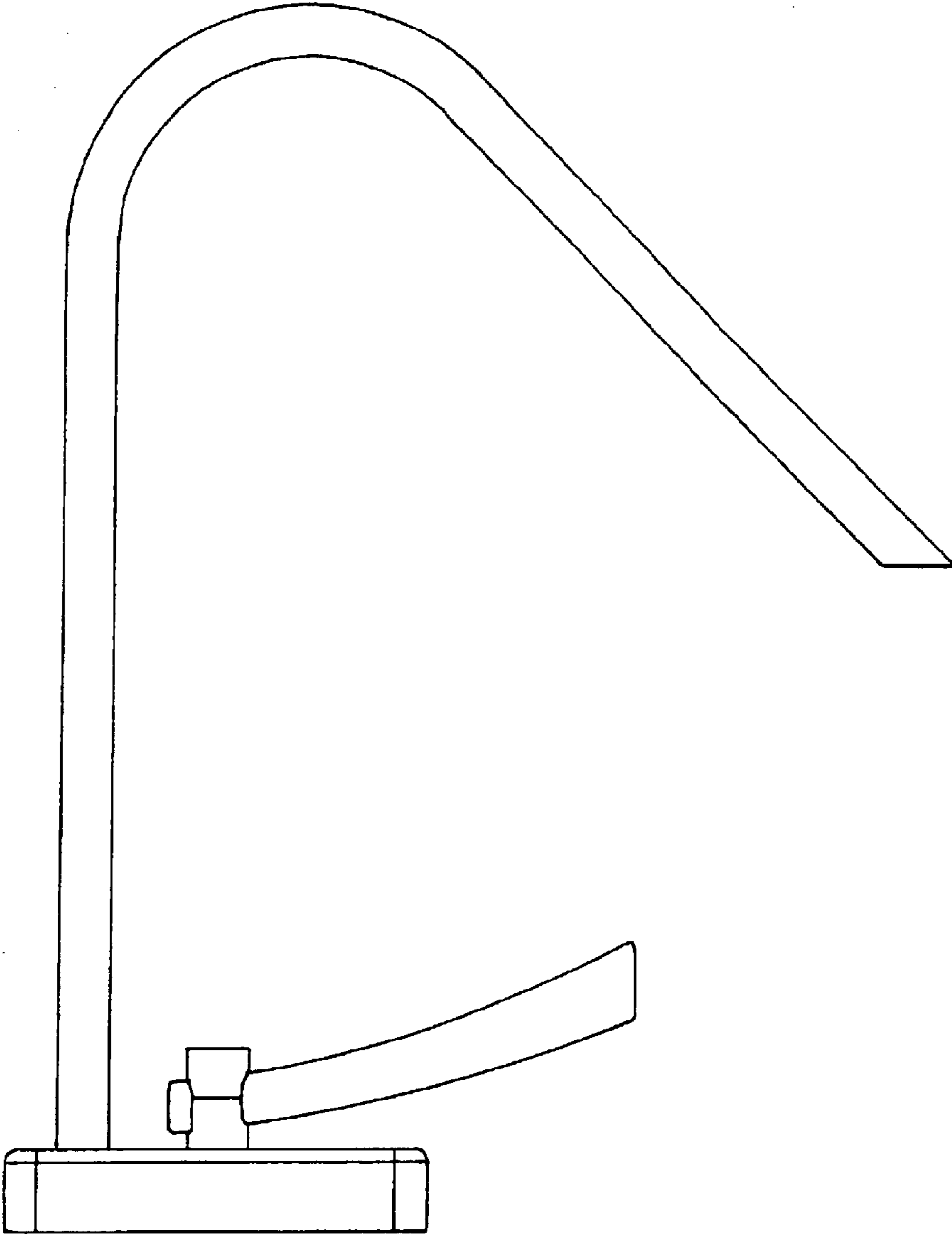


Fig. 2

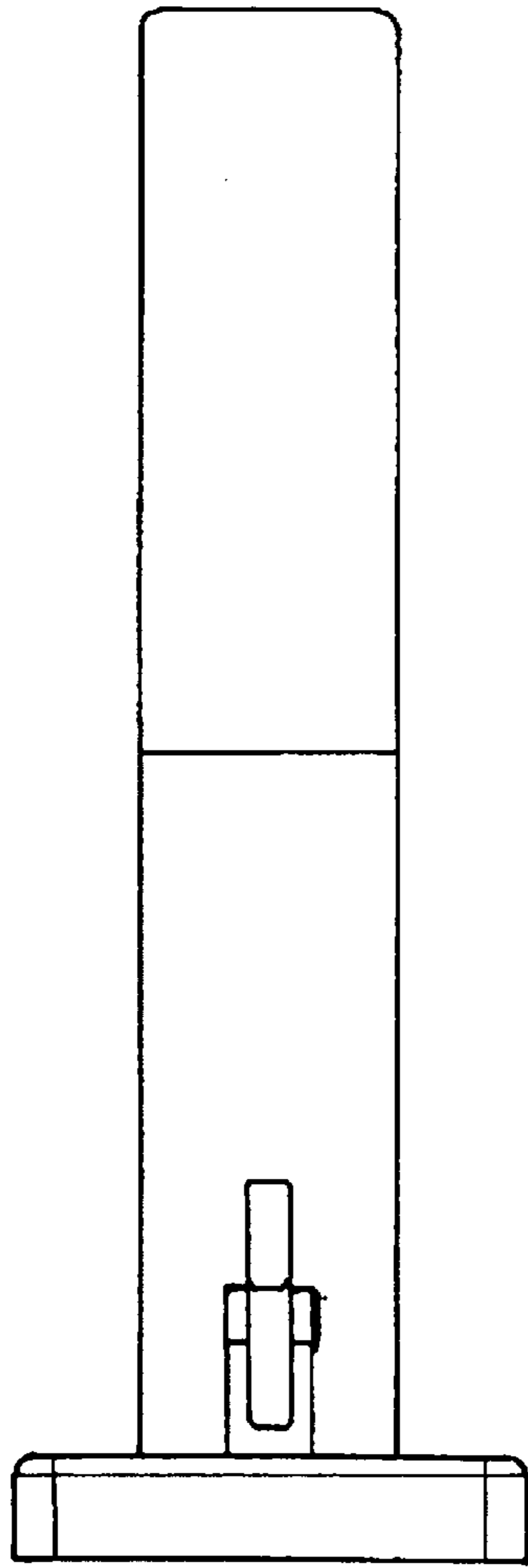


Fig. 3

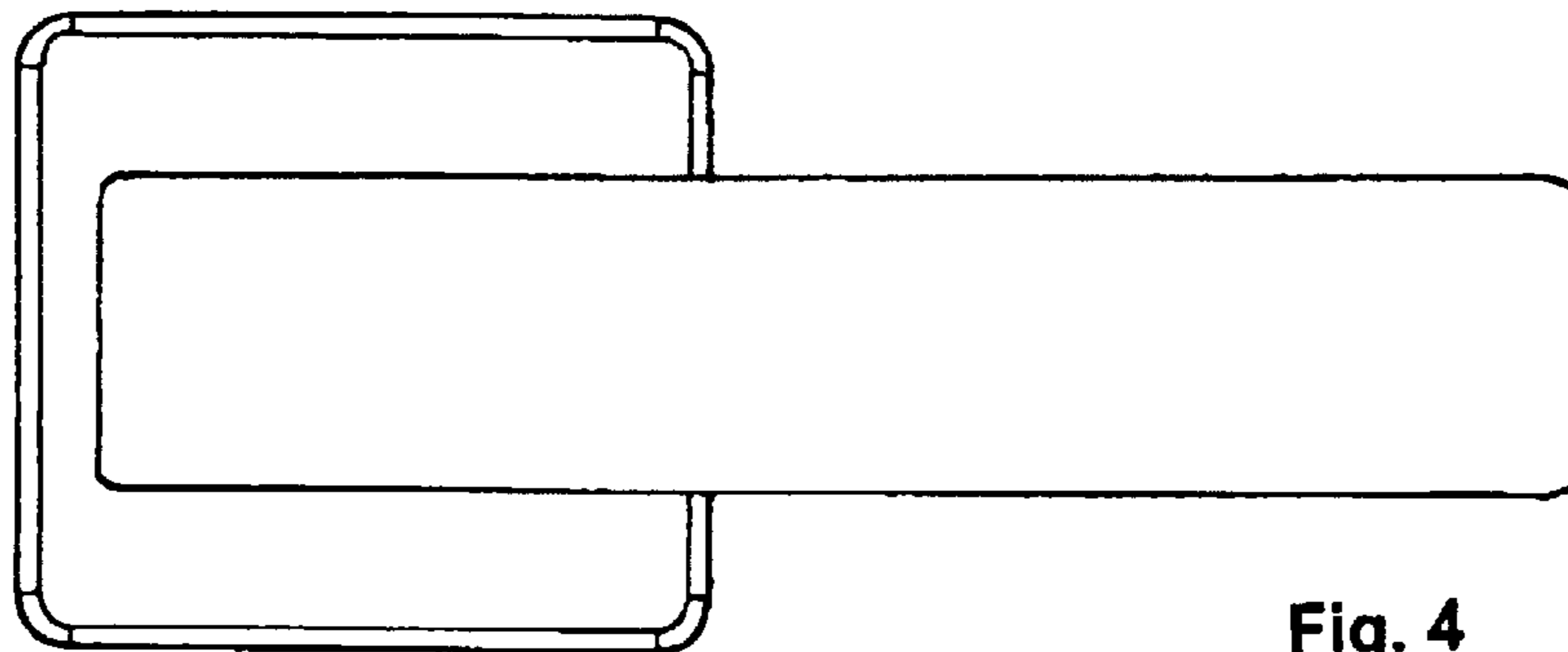


Fig. 4

UNITED STATES PATENT AND TRADEMARK OFFICE
CERTIFICATE OF CORRECTION

PATENT NO. : Des. 512,483 S
APPLICATION NO. : 29/198438
DATED : January 30, 2004
INVENTOR(S) : Marco Paini

Page 1 of 1

It is certified that error appears in the above-identified patent and that said Letters Patent is hereby corrected as shown below:

Title Page, item [73]

Please change the Assignee's name to read as follows:

PAINI SPA RUBINETTERIE

Signed and Sealed this

Nineteenth Day of December, 2006

A handwritten signature in black ink on a light gray dotted background. The signature reads "Jon W. Dudas" in a cursive style.

JON W. DUDAS

Director of the United States Patent and Trademark Office

UNITED STATES PATENT AND TRADEMARK OFFICE
CERTIFICATE OF CORRECTION

PATENT NO. : Des. 512,483 S
APPLICATION NO. : 29/198438
DATED : December 6, 2005
INVENTOR(S) : Marco Paini

Page 1 of 1

It is certified that error appears in the above-identified patent and that said Letters Patent is hereby corrected as shown below:

Title Page, item [73]

Please change the Assignee's name to read as follows:

PAINI SPA RUBINETTERIE

This certificate supersedes Certificate of Correction issued December 19, 2006.

Signed and Sealed this

Sixth Day of February, 2007

A handwritten signature in black ink on a dotted background. The signature reads "Jon W. Dudas" in a cursive style.

JON W. DUDAS

Director of the United States Patent and Trademark Office