



US00D512482S

(12) **United States Design Patent** (10) **Patent No.:** **US D512,482 S**  
**Utter et al.** (45) **Date of Patent:** **\*\* Dec. 6, 2005**

(54) **HAND HELD MISTING DEVICE**

(75) Inventors: **Steven M. Utter**, Chandler, AZ (US);  
**Kim Jacobsen**, Minneapolis, MN (US)

(73) Assignee: **Misty Mate, Inc.**, Gilbert, AZ (US)

(\*\*) Term: **14 Years**

(21) Appl. No.: **29/210,283**

(22) Filed: **Jul. 29, 2004**

(51) **LOC (8) Cl.** ..... **23-01**

(52) **U.S. Cl.** ..... **D23/213; D9/434**

(58) **Field of Search** ..... **D23/213, 225;**  
**D9/434; 239/333; 222/372, 383.1**

(56) **References Cited**

**U.S. PATENT DOCUMENTS**

4,344,574	A	*	8/1982	Meddings et al.	.....	239/338
5,588,564	A	*	12/1996	Hutson et al.	.....	222/383.1
6,053,372	A	*	4/2000	Abedi	.....	222/383.1
6,145,756	A	*	11/2000	Kohls	.....	239/288
6,345,774	B1	*	2/2002	Calhoun	.....	239/333

\* cited by examiner

*Primary Examiner*—Robin V. Taylor  
*(74) Attorney, Agent, or Firm*—David G. Rosenbaum;  
Rosenbaum & Associates, PC

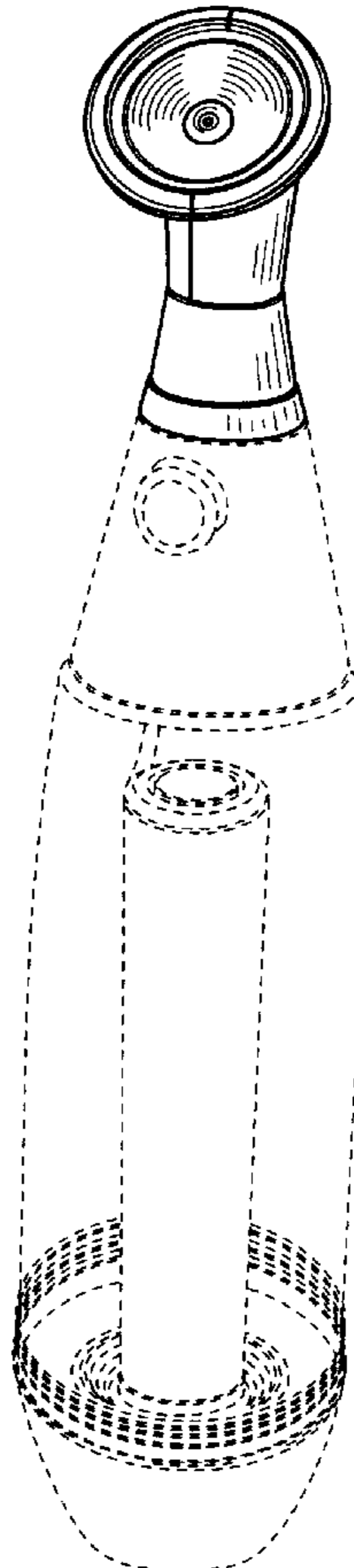
(57) **CLAIM**

The ornamental design for a hand held misting device, as shown.

**DESCRIPTION**

FIG. 1 is a perspective view of the nozzle portion of a hand held misting device illustrating our new design;  
 FIG. 2 is a front elevational view thereof;  
 FIG. 3 is a back elevational view thereof;  
 FIG. 4 is a side elevational view thereof;  
 FIG. 5 is a top plan view thereof;  
 FIG. 6 is a bottom plan view thereof;  
 FIG. 7 is a front perspective view thereof shown in use with the body of a hand held misting device; and,  
 FIG. 8 is a side perspective view thereof shown in use with the body of a hand held misting device.  
 The body portion of the hand held misting device shown in FIG. 7 and FIG. 8 are shown for illustrative purposes and form no part of the claimed design.

**1 Claim, 5 Drawing Sheets**



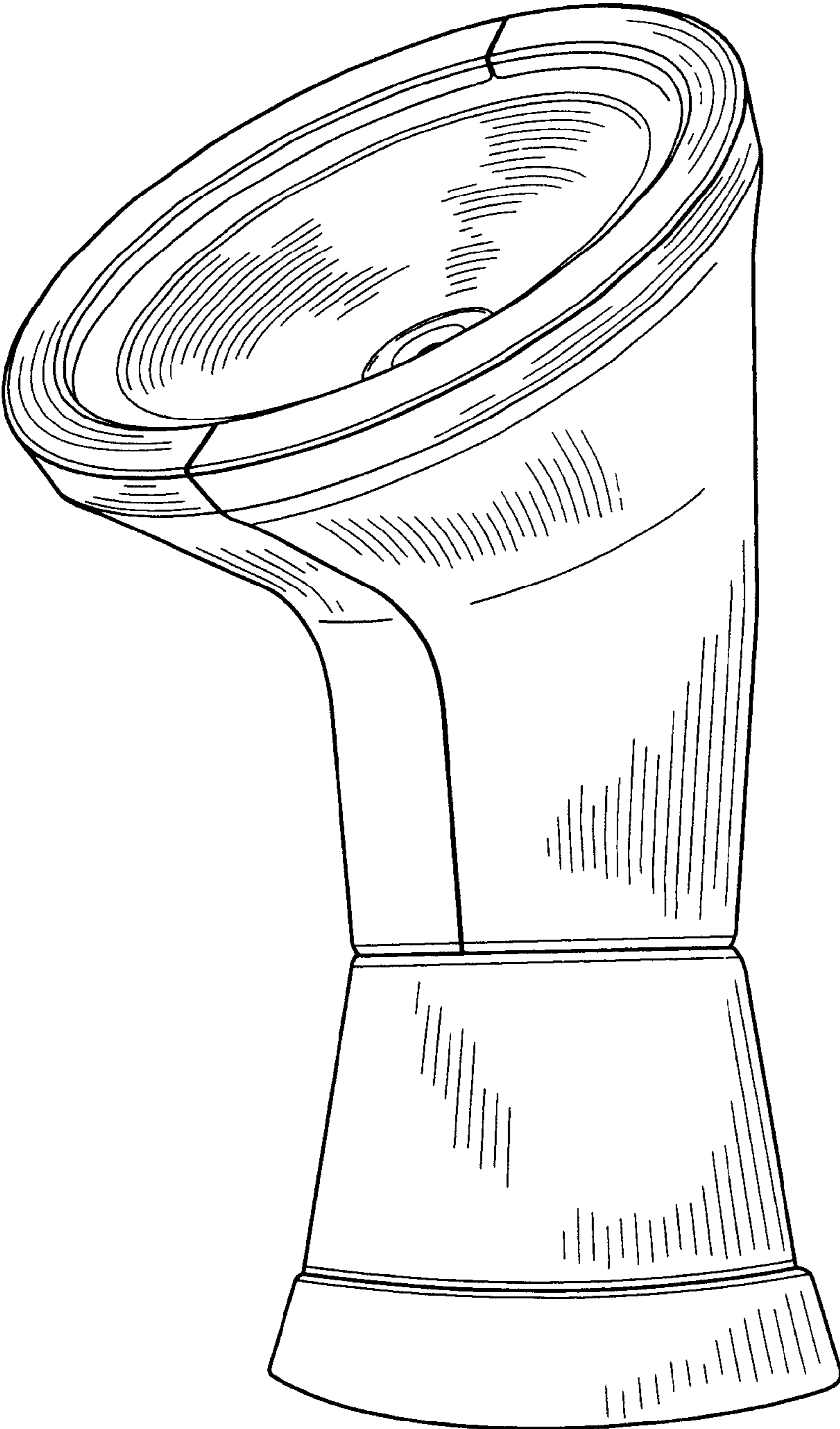


FIG. 1

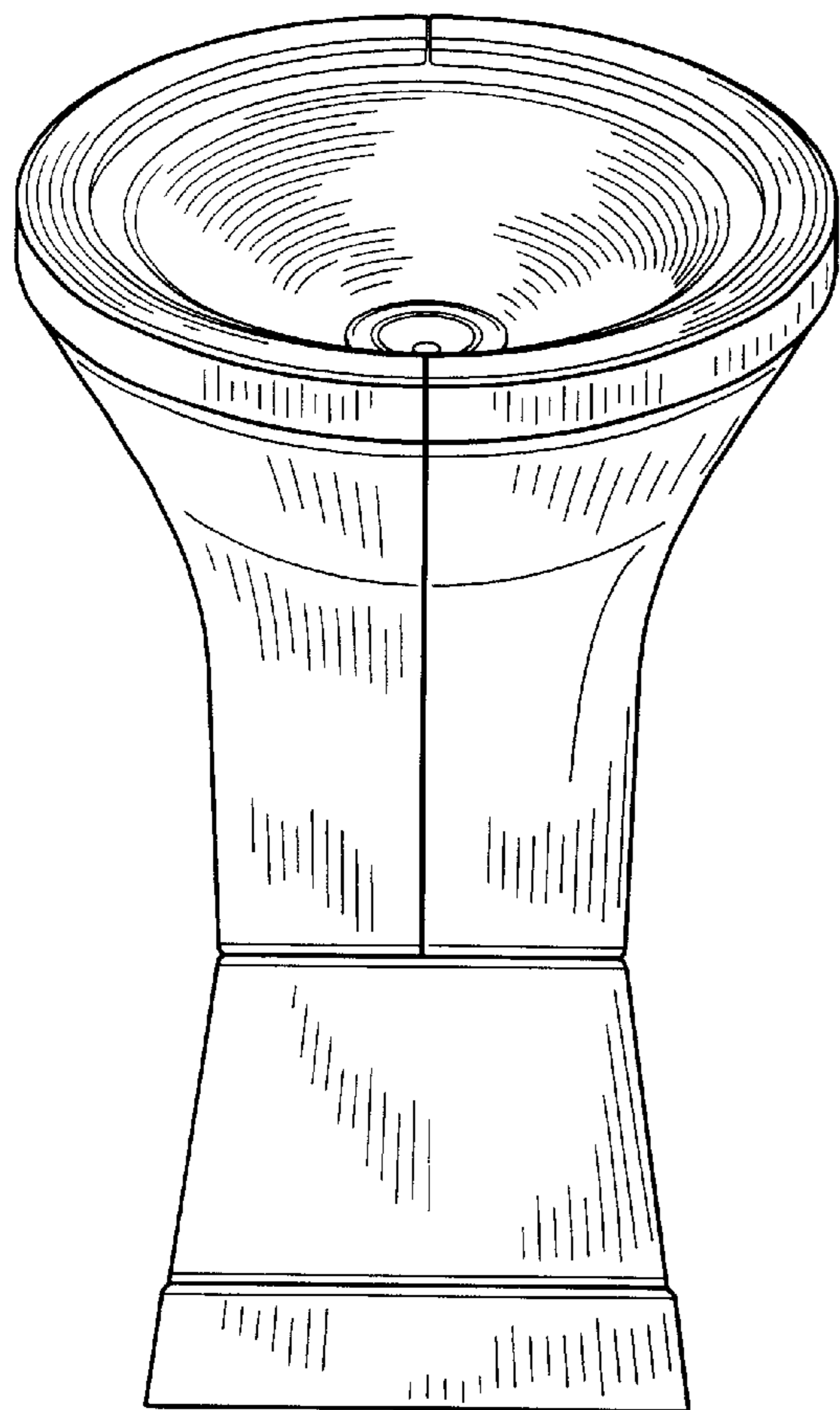


FIG. 2

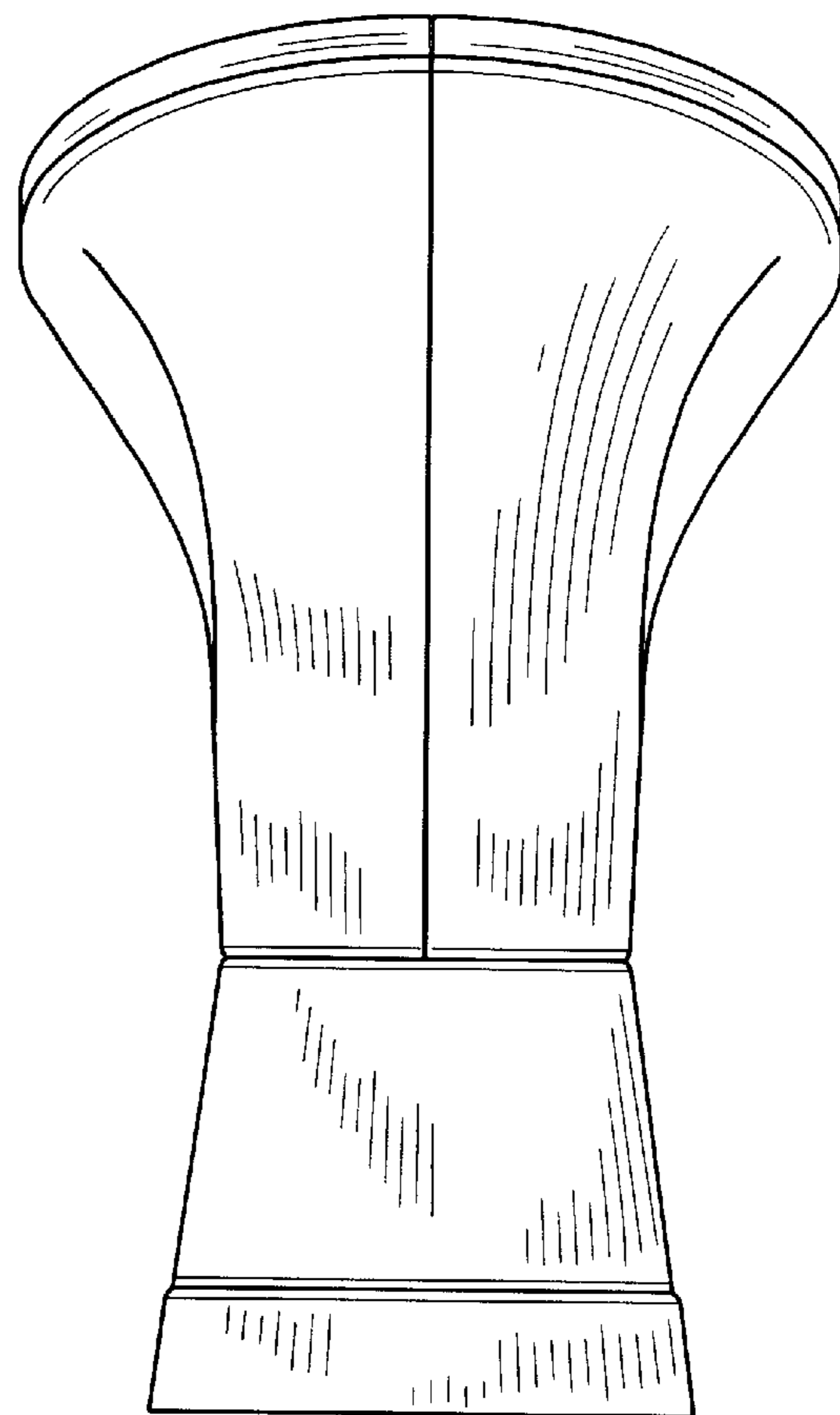


FIG. 3

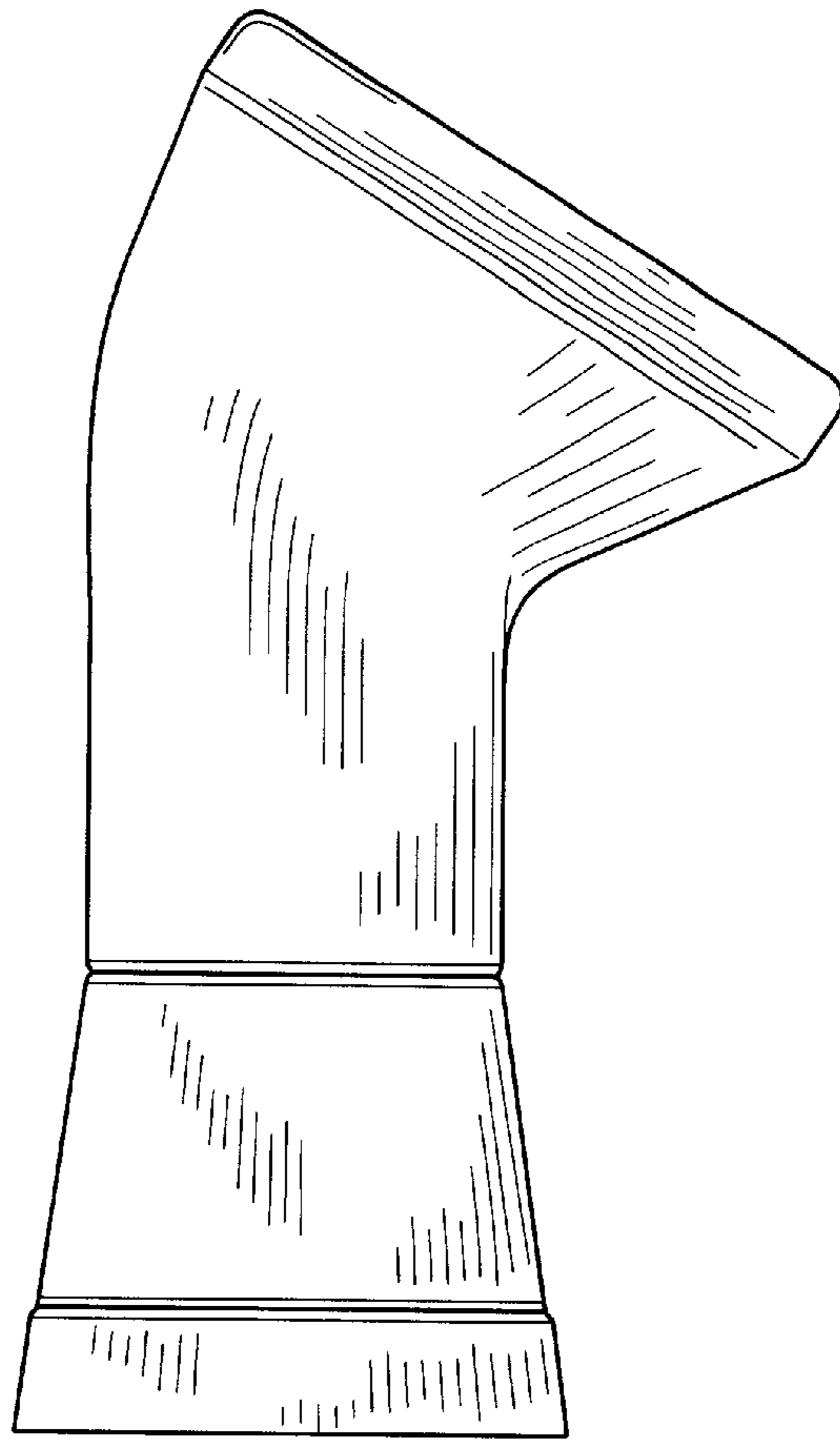


FIG. 4

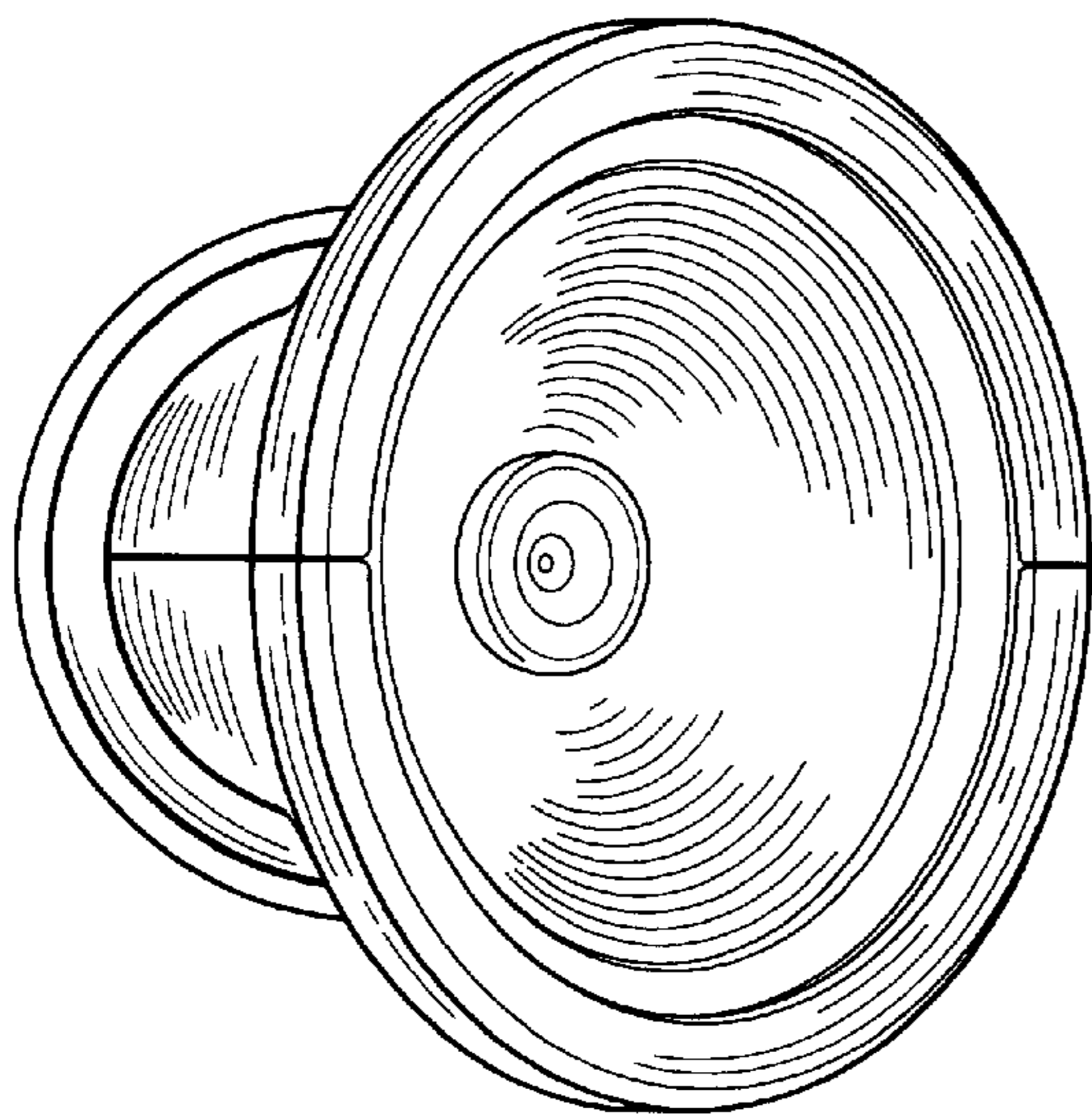


FIG. 5

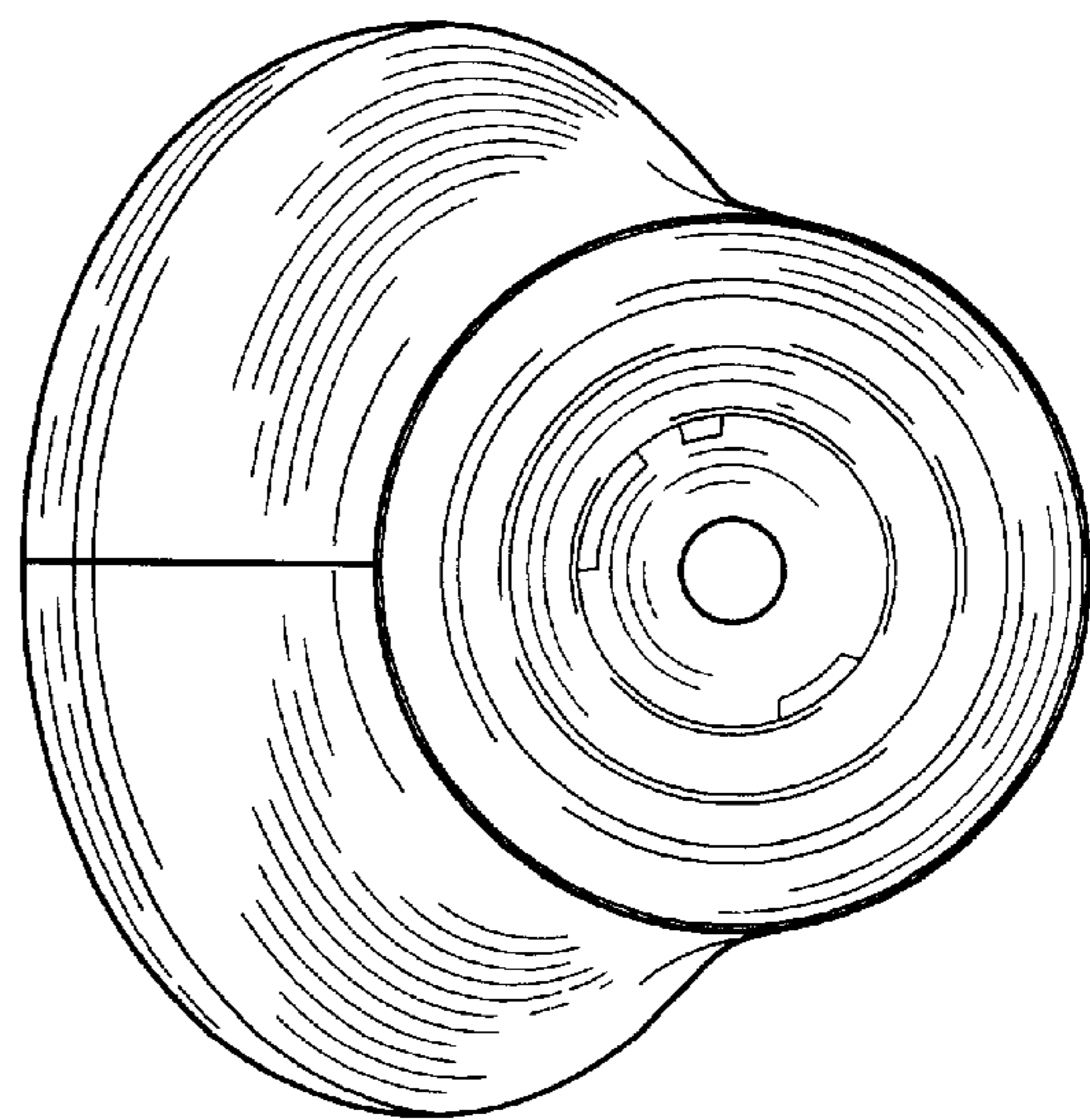


FIG. 6

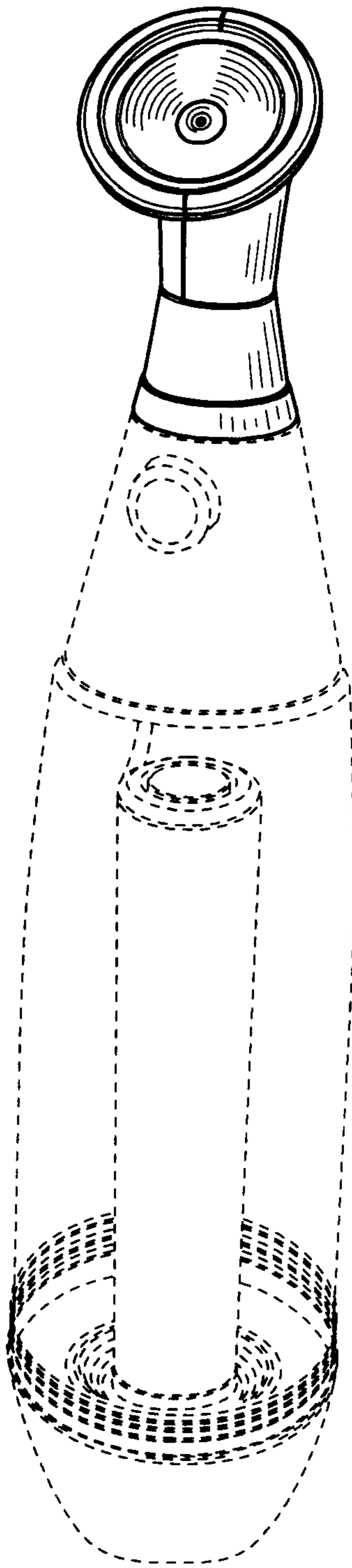


FIG. 7

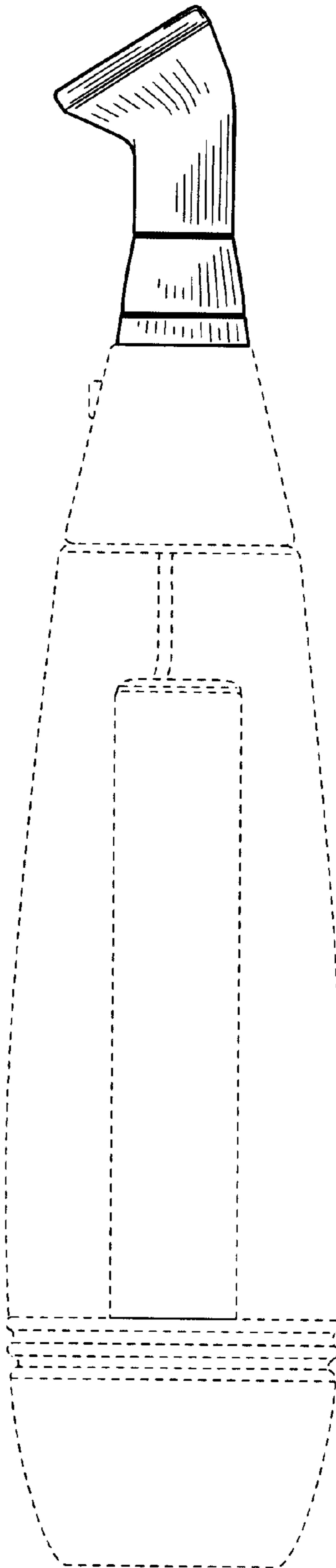


FIG. 8