



US00D512481S

(12) **United States Design Patent**  
**Thompson**

(10) **Patent No.: US D512,481 S**  
(45) **Date of Patent: \*\* Dec. 6, 2005**

(54) **FLOAT FOR A CHLORINE DISPENSER**  
(75) Inventor: **Aaron Thompson**, Cooper City, FL  
(US)  
(73) Assignee: **Sportsfloats, Inc.**, Duluth, GA (US)  
(\*\*) Term: **14 Years**

D451,978 S 12/2001 Hood et al.  
D451,979 S \* 12/2001 VanErdewyk ..... D23/208  
D456,061 S \* 4/2002 Hood et al. .... D23/208  
D461,871 S 8/2002 Flowers  
6,432,371 B1 8/2002 Oliver, Jr.  
D486,881 S \* 2/2004 Pecci et al. .... D23/207  
D498,802 S \* 11/2004 Chang ..... D21/712

\* cited by examiner

(21) Appl. No.: **29/206,548**  
(22) Filed: **Jun. 1, 2004**

*Primary Examiner*—Robin V. Taylor  
(74) *Attorney, Agent, or Firm*—Robert J. Theuerkauf;  
Middleton Reutlinger

(51) **LOC (8) Cl.** ..... **23-01**  
(52) **U.S. Cl.** ..... **D23/208**  
(58) **Field of Search** ..... D23/207, 208;  
422/264, 265; D7/712, 788

(57) **CLAIM**

The ornamental design for a float for a chlorine dispenser, as shown and described.

**DESCRIPTION**

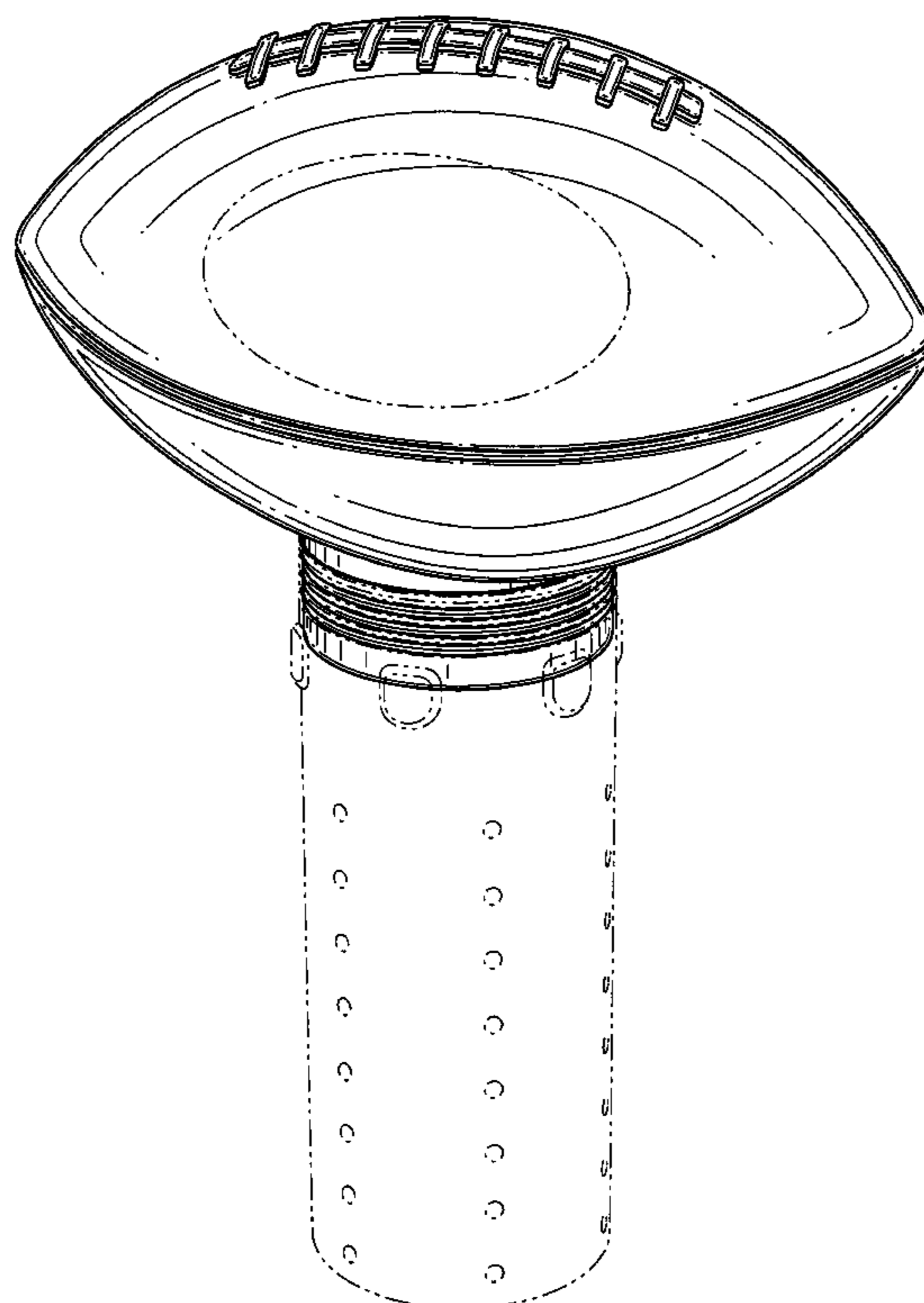
(56) **References Cited**

**U.S. PATENT DOCUMENTS**

2,934,409	A	4/1960	Biehl	
RE29,728	E	8/1978	Franklin	
4,217,331	A	8/1980	Schaub	
D275,311	S	8/1984	Wolfe	
D286,560	S	11/1986	Wolfe	
4,630,634	A	12/1986	Sasaki et al.	
4,798,707	A	1/1989	Thomas et al.	
D307,460	S	4/1990	Bradford et al.	
D309,493	S	* 7/1990	Casberg	..... D23/208
5,053,205	A	10/1991	Taylor et al.	
5,055,183	A	10/1991	Buchan	
5,476,116	A	12/1995	Price et al.	
5,577,724	A	* 11/1996	Gandolfo	..... 473/597
5,611,532	A	3/1997	Forrest, Sr.	
5,795,551	A	8/1998	Powell	

FIG. 1 is a perspective view of the float for a chlorine dispenser showing my design;  
FIG. 2 is a top view of the float for a chlorine dispenser of FIG. 1;  
FIG. 3 is a front view of the float for a chlorine dispenser of FIG. 1, the rear being a mirror image of the front shown;  
FIG. 4 is a bottom view of the float for a chlorine dispenser of FIG. 1; and,  
FIG. 5 is a right side view of the float for a chlorine dispenser of FIG. 1, the left side being a mirror image of the right side shown.  
The broken line showing environmental structure is for illustrative purposes only and forms no part of the claimed design.

**1 Claim, 5 Drawing Sheets**



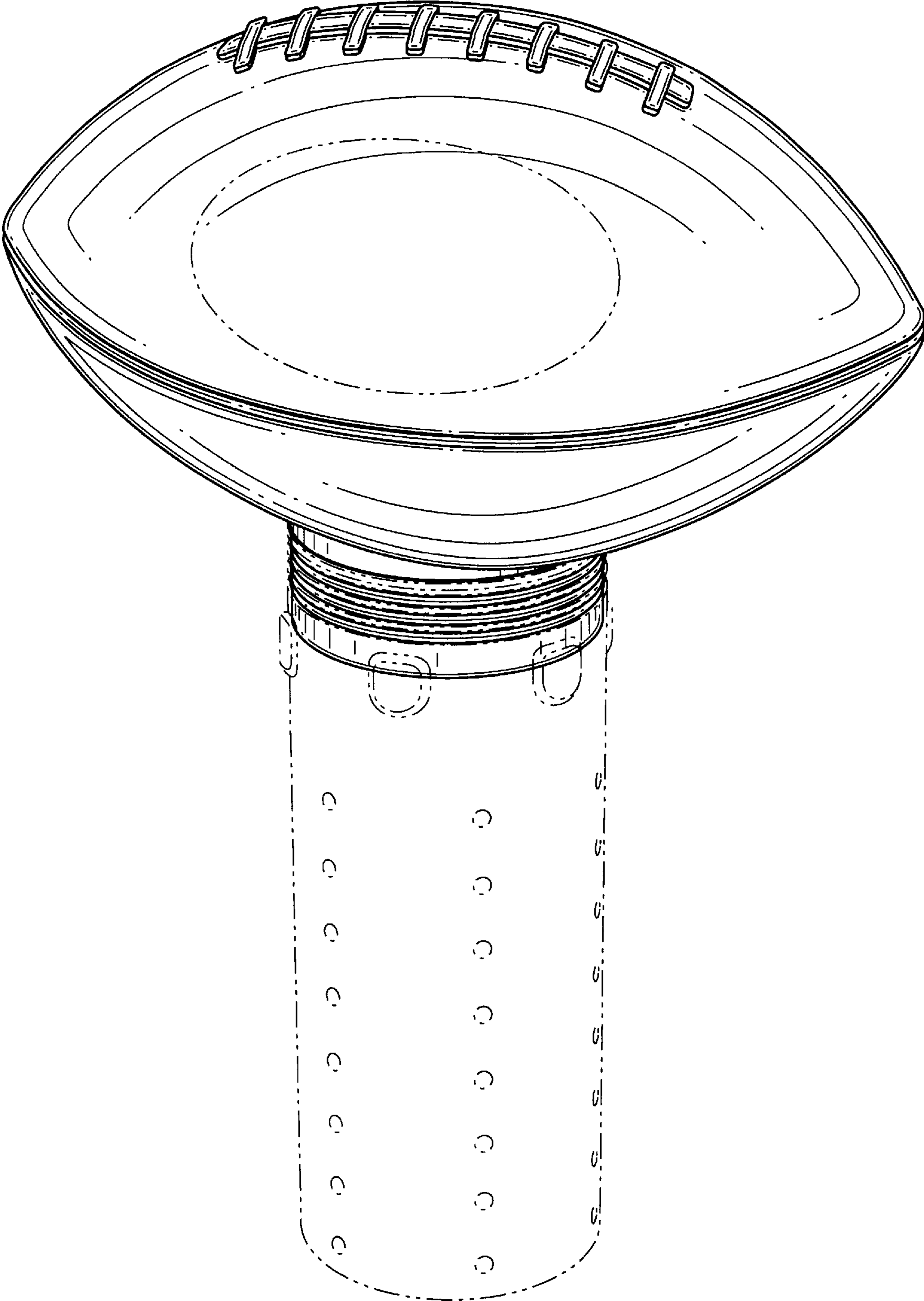


FIG. 1

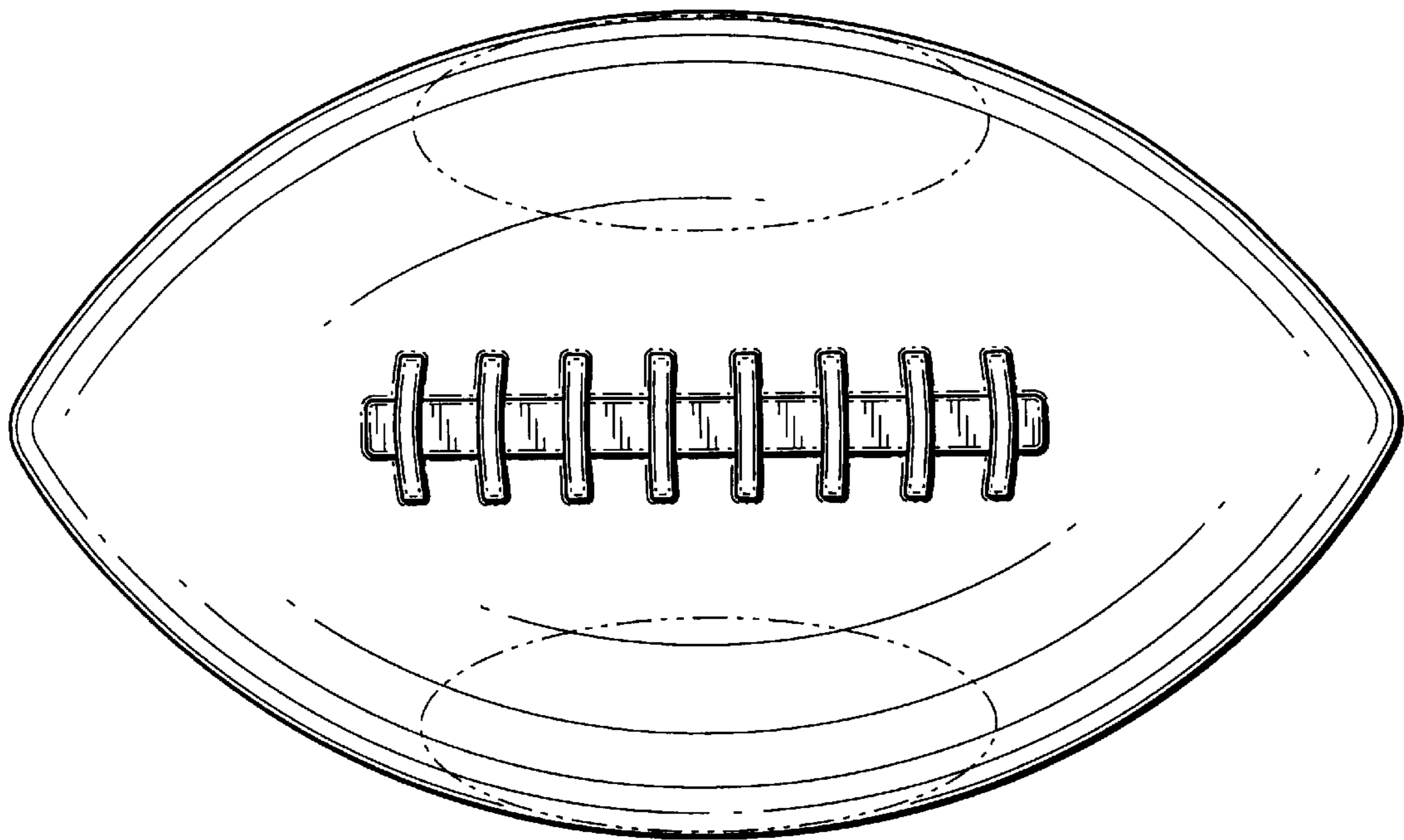


FIG. 2

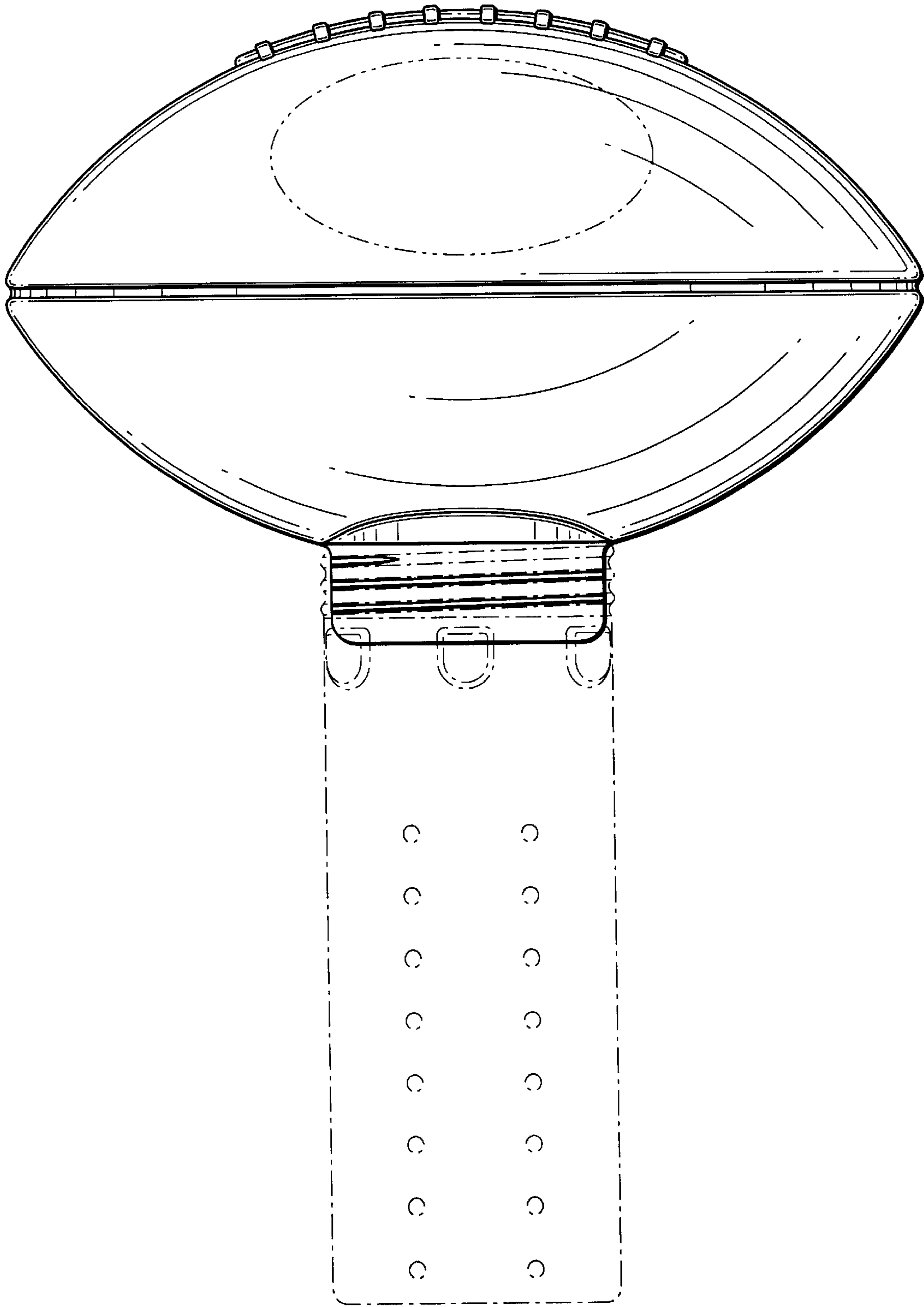


FIG. 3

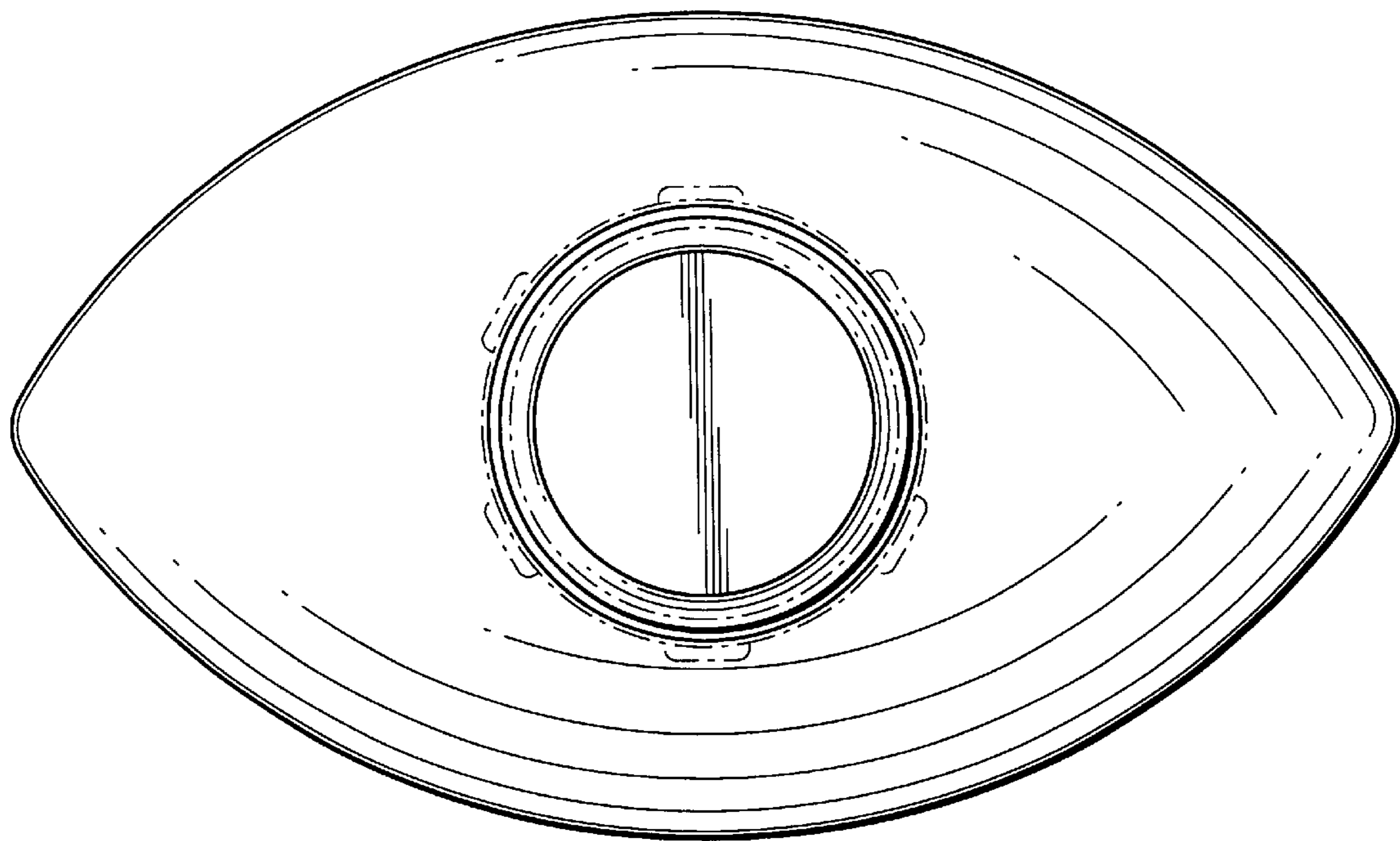


FIG. 4



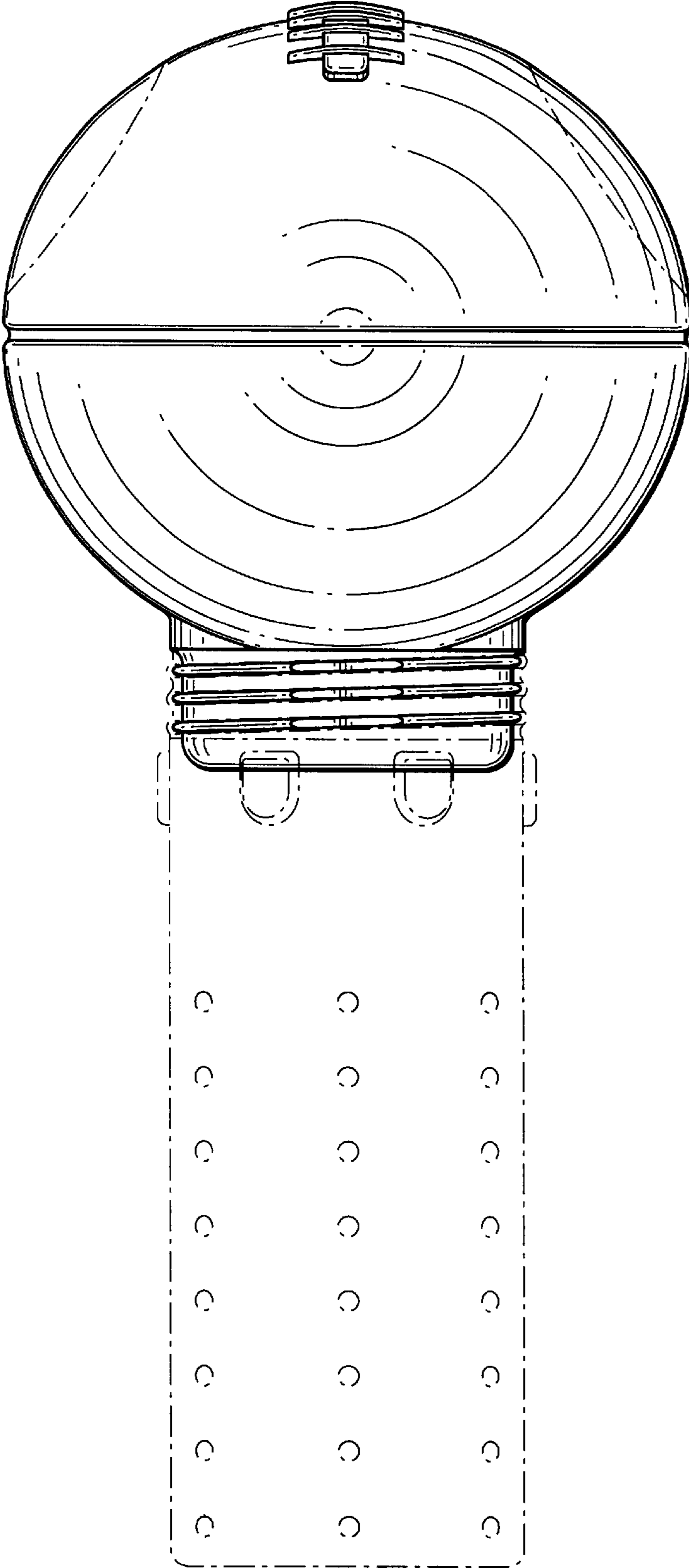


FIG. 5