



US00D512479S

(12) **United States Design Patent** (10) **Patent No.:** **US D512,479 S**
Hsiao (45) **Date of Patent:** **** Dec. 6, 2005**

(54) **STAND WITH GAS TANKS**

(76) Inventor: **Eming Hsiao**, No. 427, Sec. 2,
Doou-Chung Rd., Tien-Chung,
Chang-Hwa (TW)

(**) Term: **14 Years**

(21) Appl. No.: **29/205,980**

(22) Filed: **May 25, 2004**

(51) **LOC (8) Cl.** **23-01**

(52) **U.S. Cl.** **D23/202**

(58) **Field of Search** D23/202-5; 220/562,
220/565, 581-2, 4.12, 560.07, 682-631

(56) **References Cited**

U.S. PATENT DOCUMENTS

2,890,812 A	*	6/1959	Vorwerk	220/628
4,486,044 A	*	12/1984	Gordon et al.	294/31.2
D278,457 S	*	4/1985	Schroder et al.	D23/205
D279,402 S	*	6/1985	Gibson	D23/204
D491,627 S	*	6/2004	Hsiao	D23/202
D491,628 S	*	6/2004	Hsiao	D23/202

* cited by examiner

Primary Examiner—Robin V. Taylor

(74) *Attorney, Agent, or Firm*—Rosenberg, Klein & Lee

(57) **CLAIM**

The ornamental design for a stand with gas tanks, as shown
an described.

DESCRIPTION

FIG. 1 is a perspective view of the stand with gas tanks
showing my new design;

FIG. 2 is a front view thereof;

FIG. 3 is a rear view thereof;

FIG. 4 is a left side view thereof;

FIG. 5 is a right side view thereof;

FIG. 6 is a top view thereof;

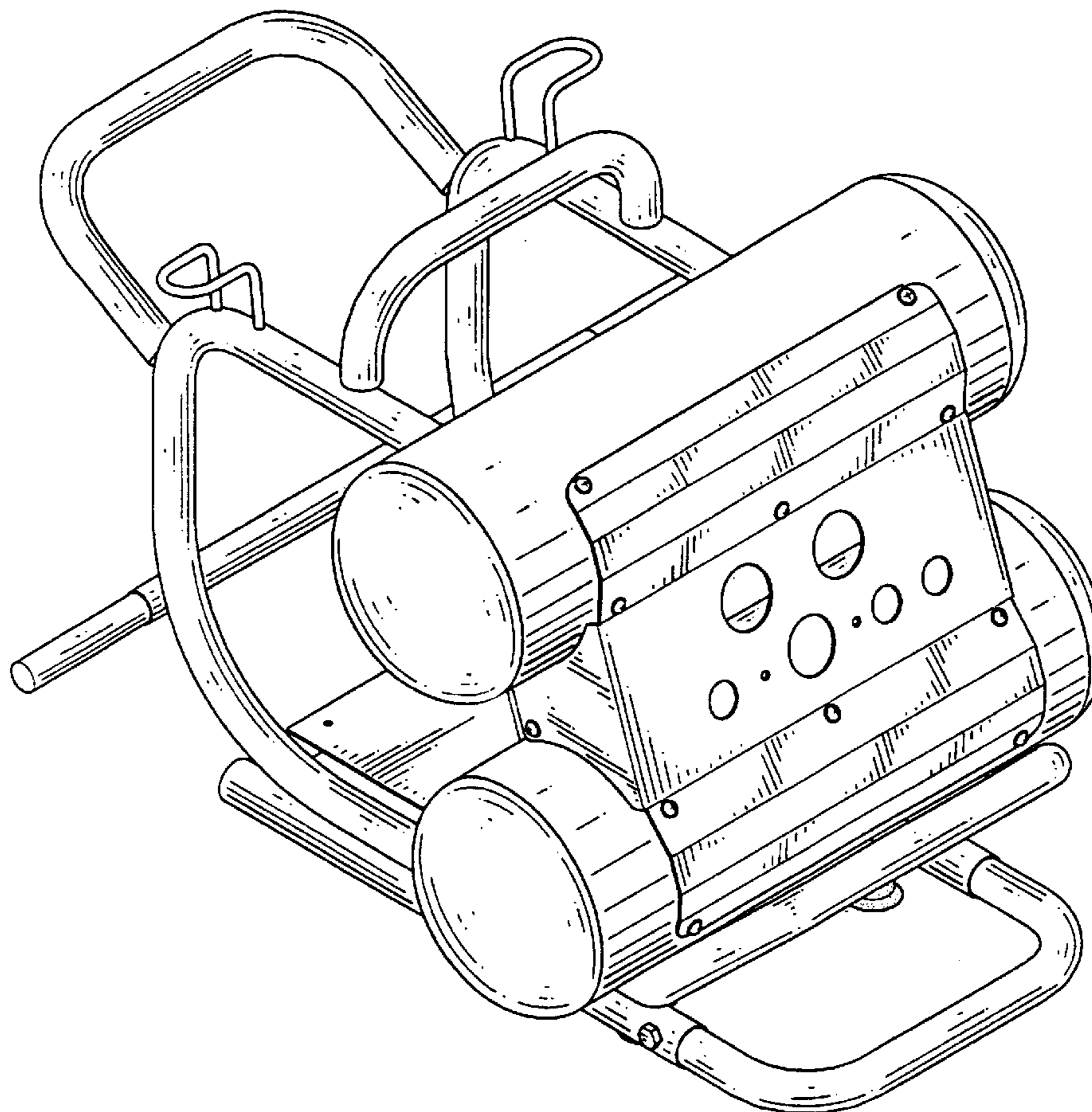
FIG. 7 is a bottom view thereof;

FIG. 8 is a side plan view shown in a use, holding an air
compressor and two wheels on the stand, wherein the stand
is erected and the handlebar is in extended position; and,

FIG. 9 is a side plan view thereof, wherein the stand is laid
down and the handlebar retracted.

The broken lines of FIGS. 8 and 9 are shown for illustrative
purposes only and form no part of the claimed design.

1 Claim, 7 Drawing Sheets



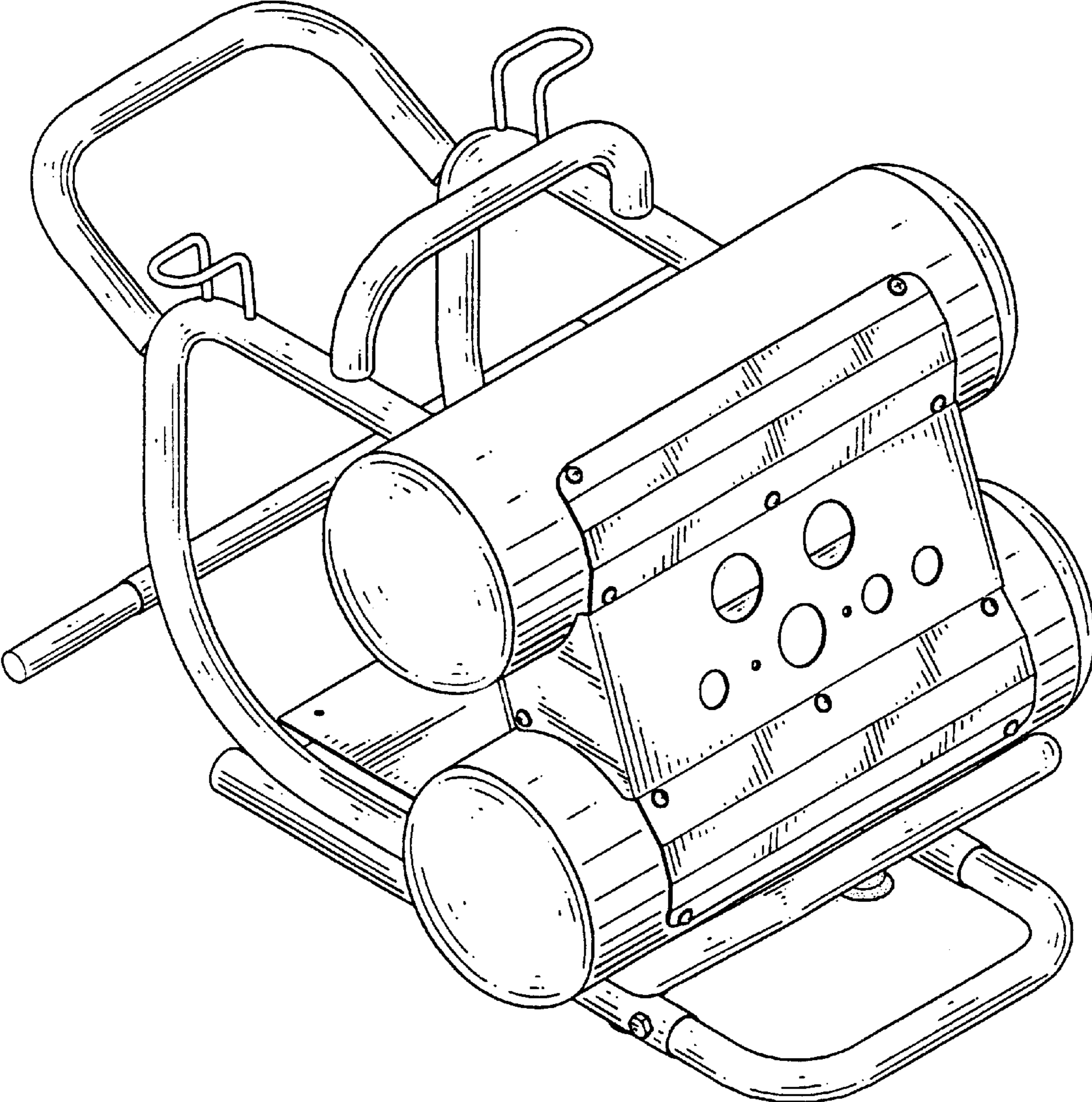


FIG.1

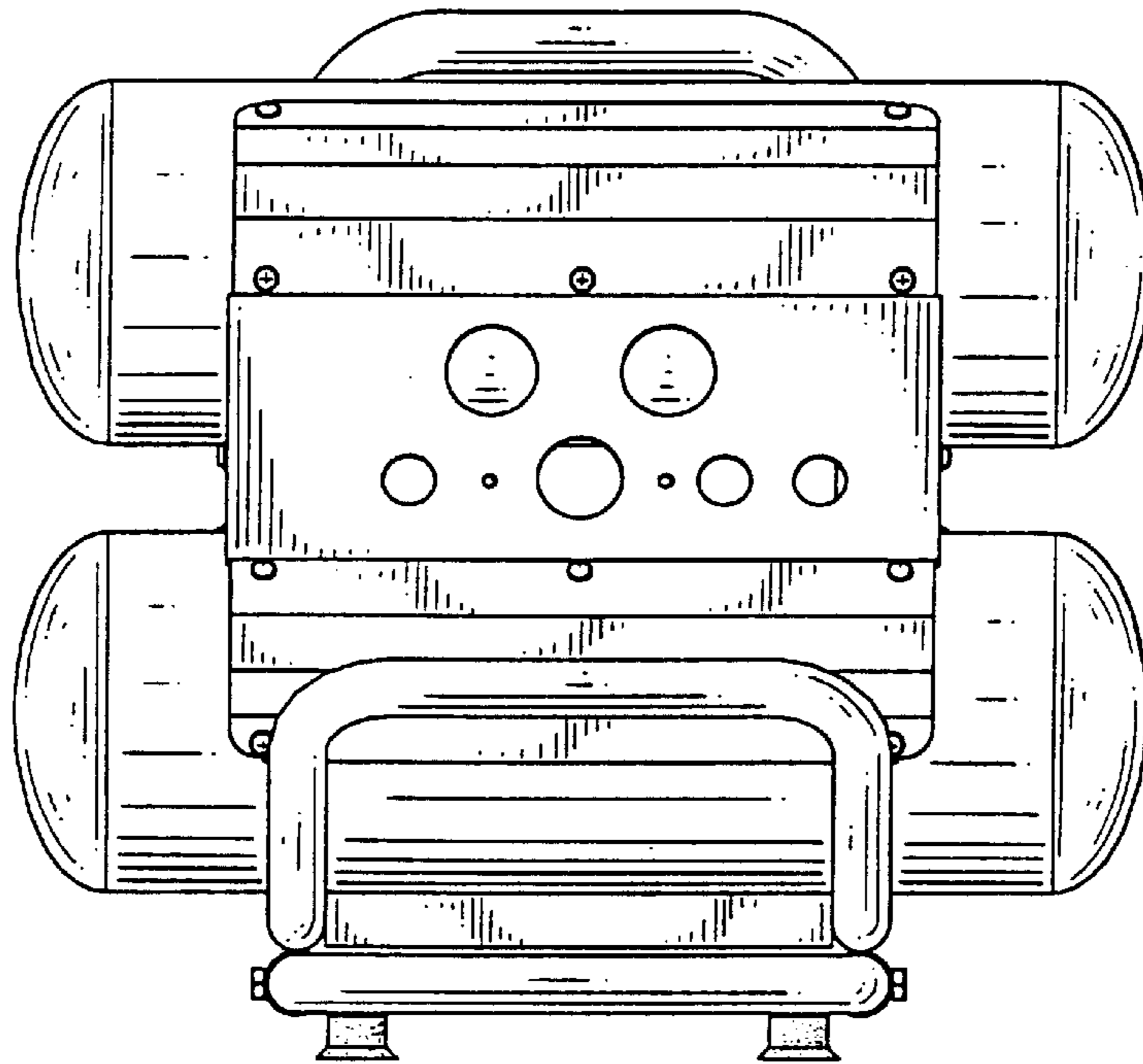


FIG. 2

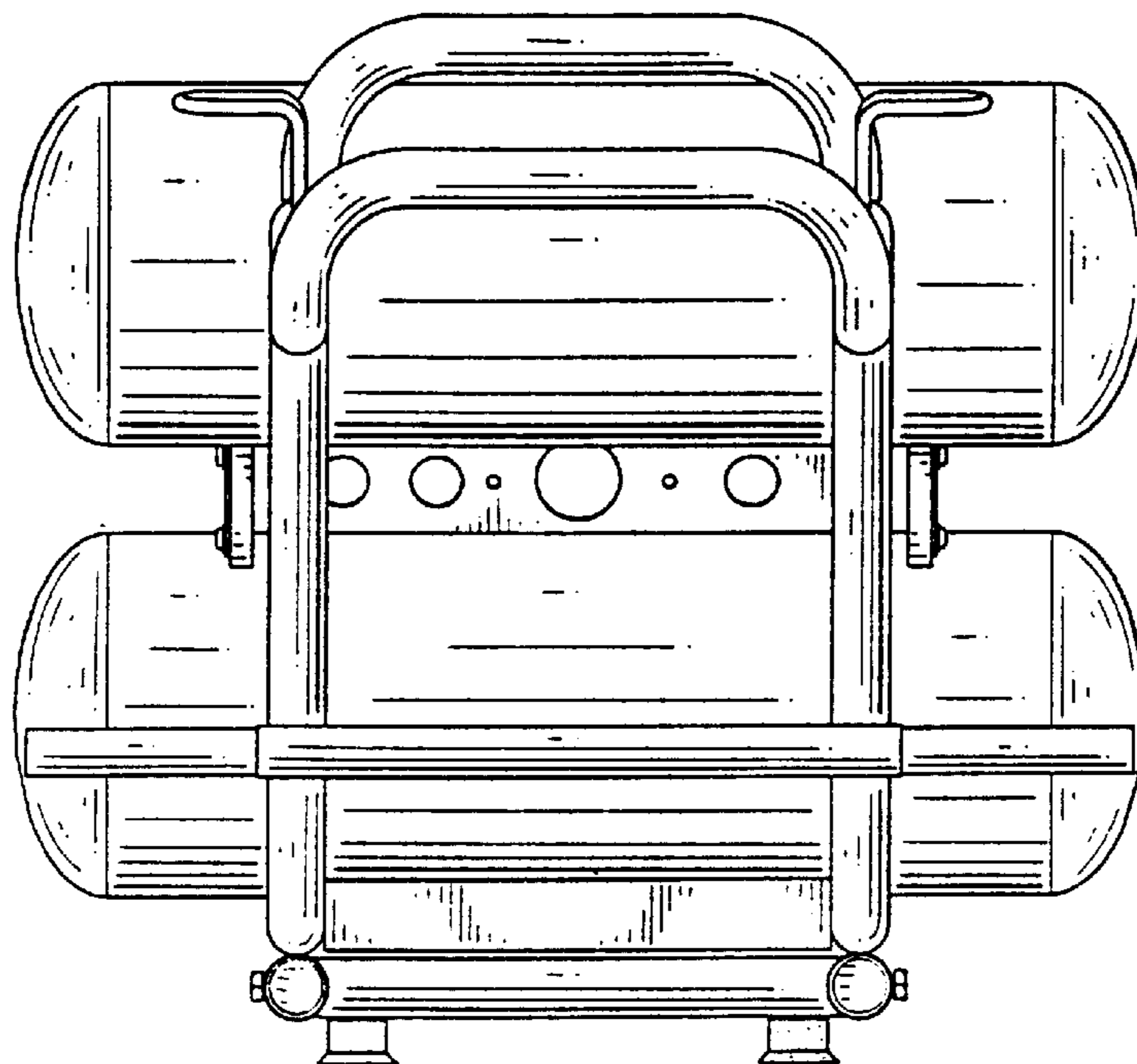


FIG. 3

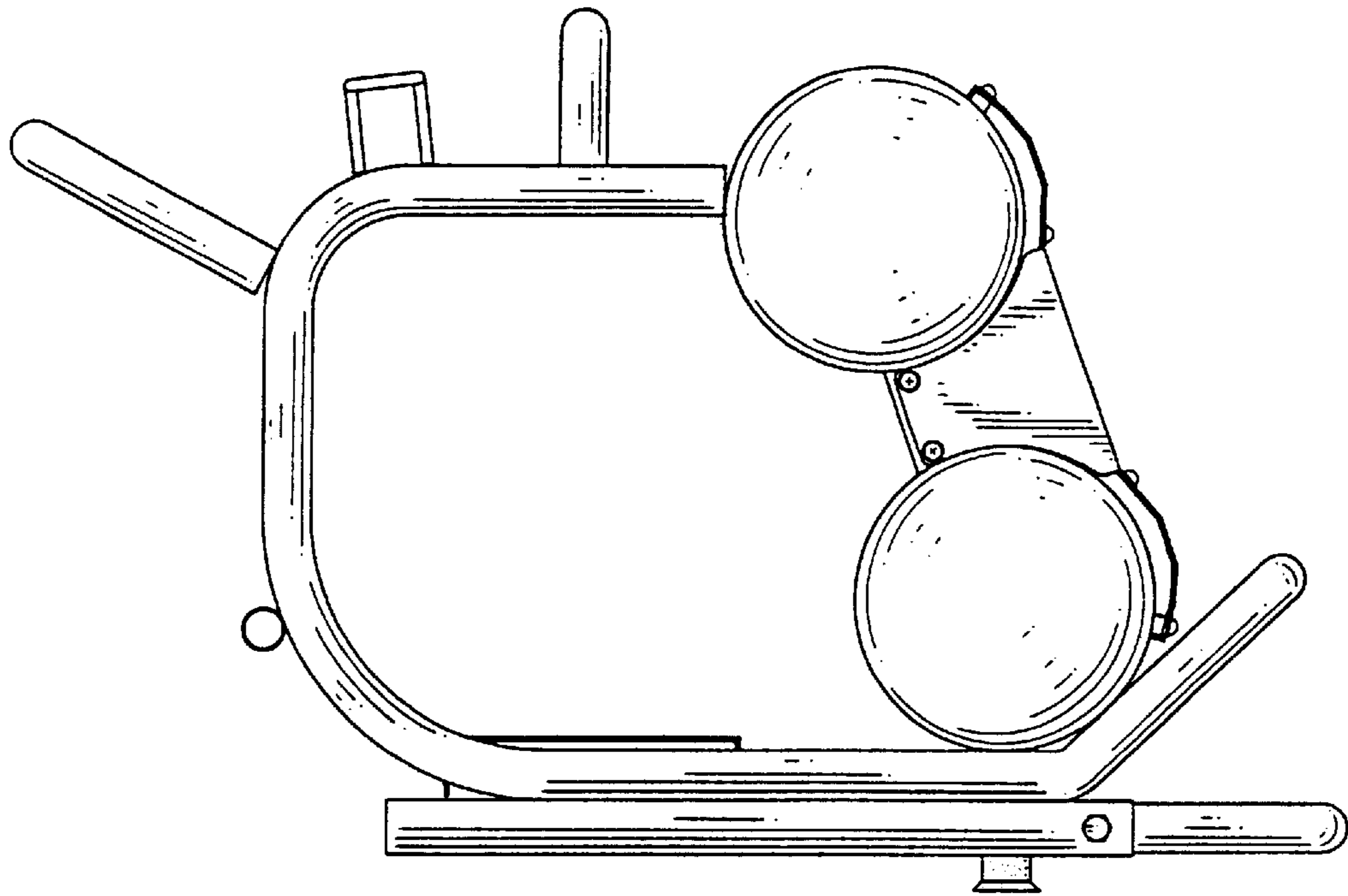


FIG.4

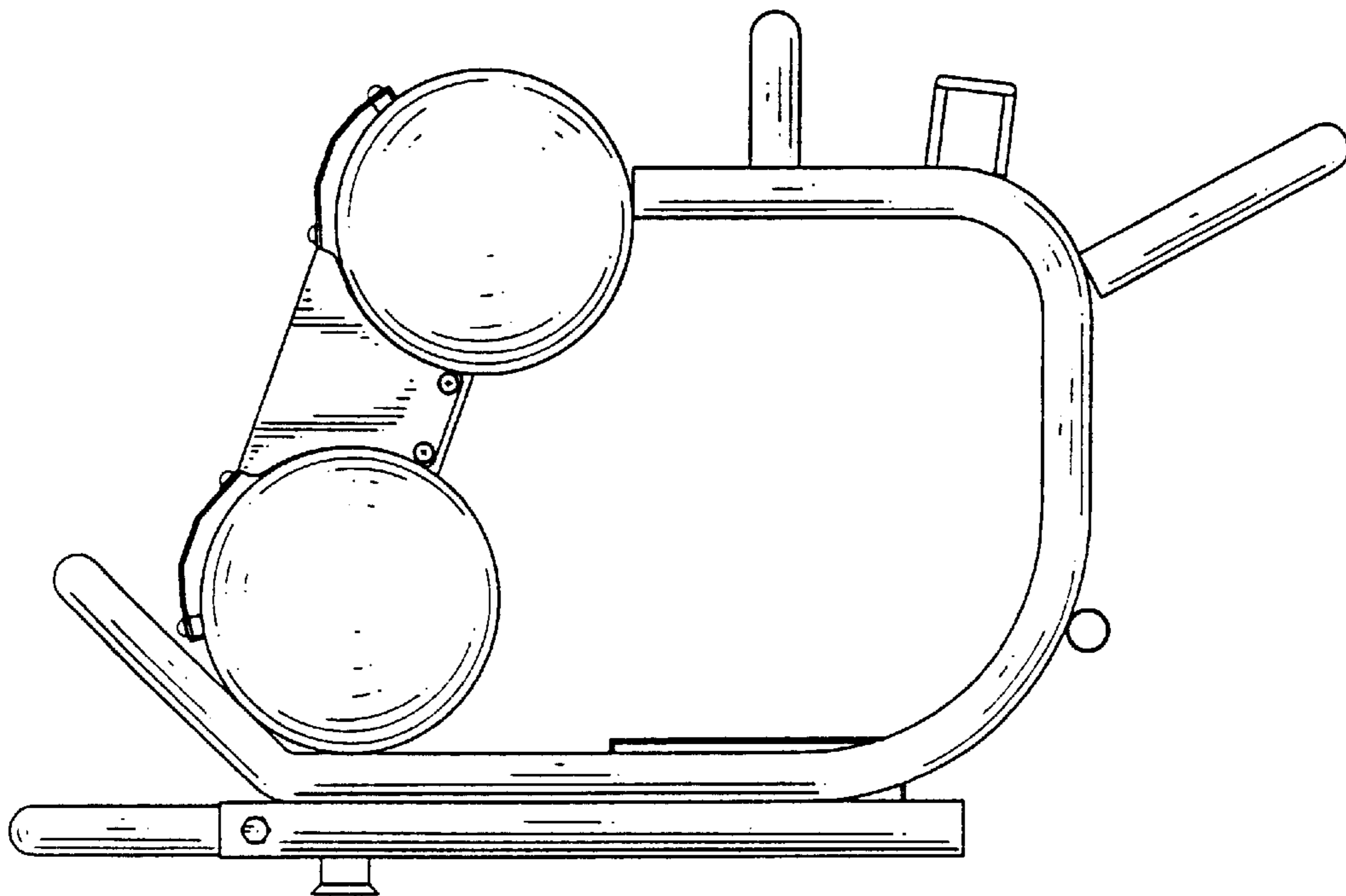


FIG.5

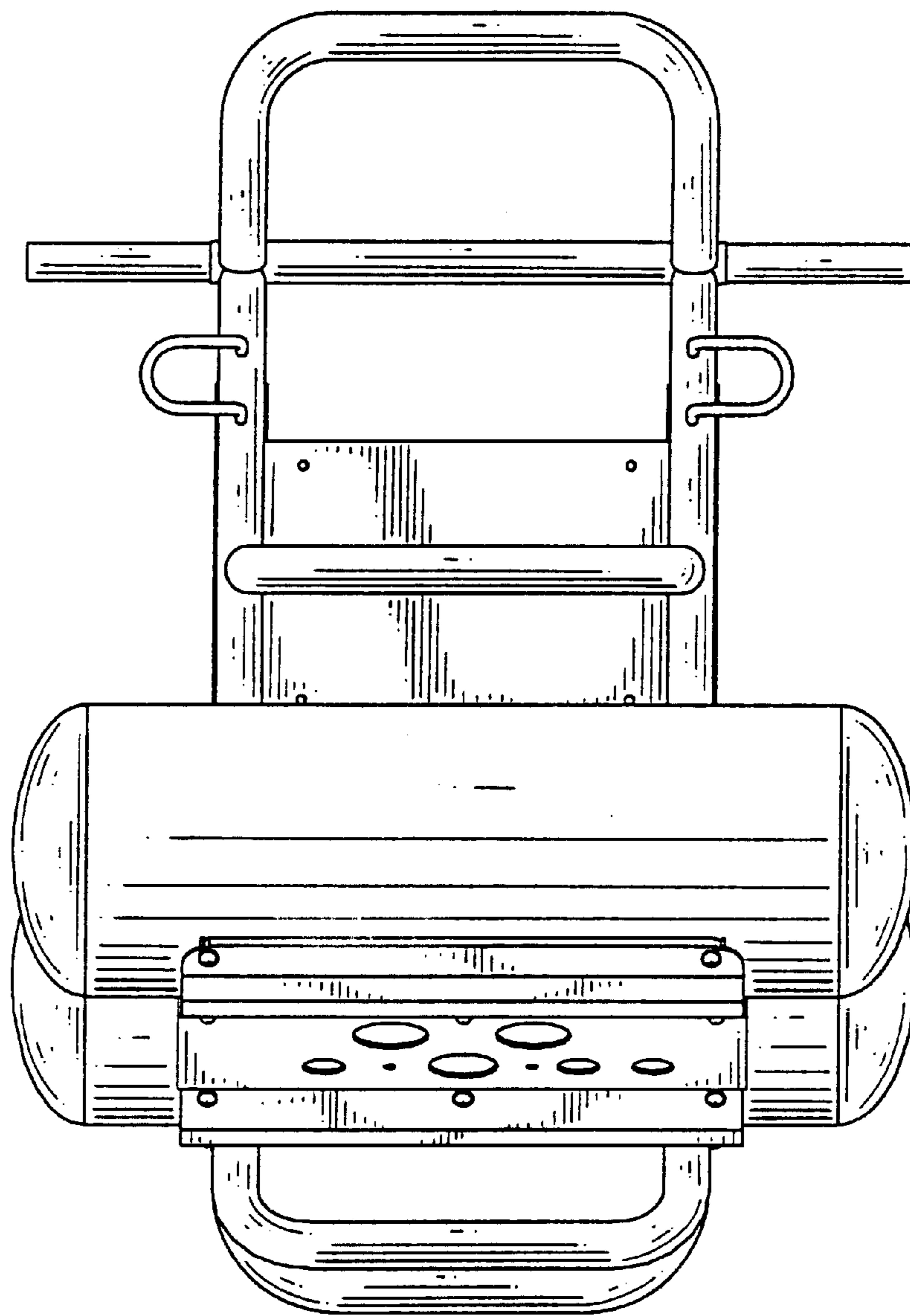


FIG.6

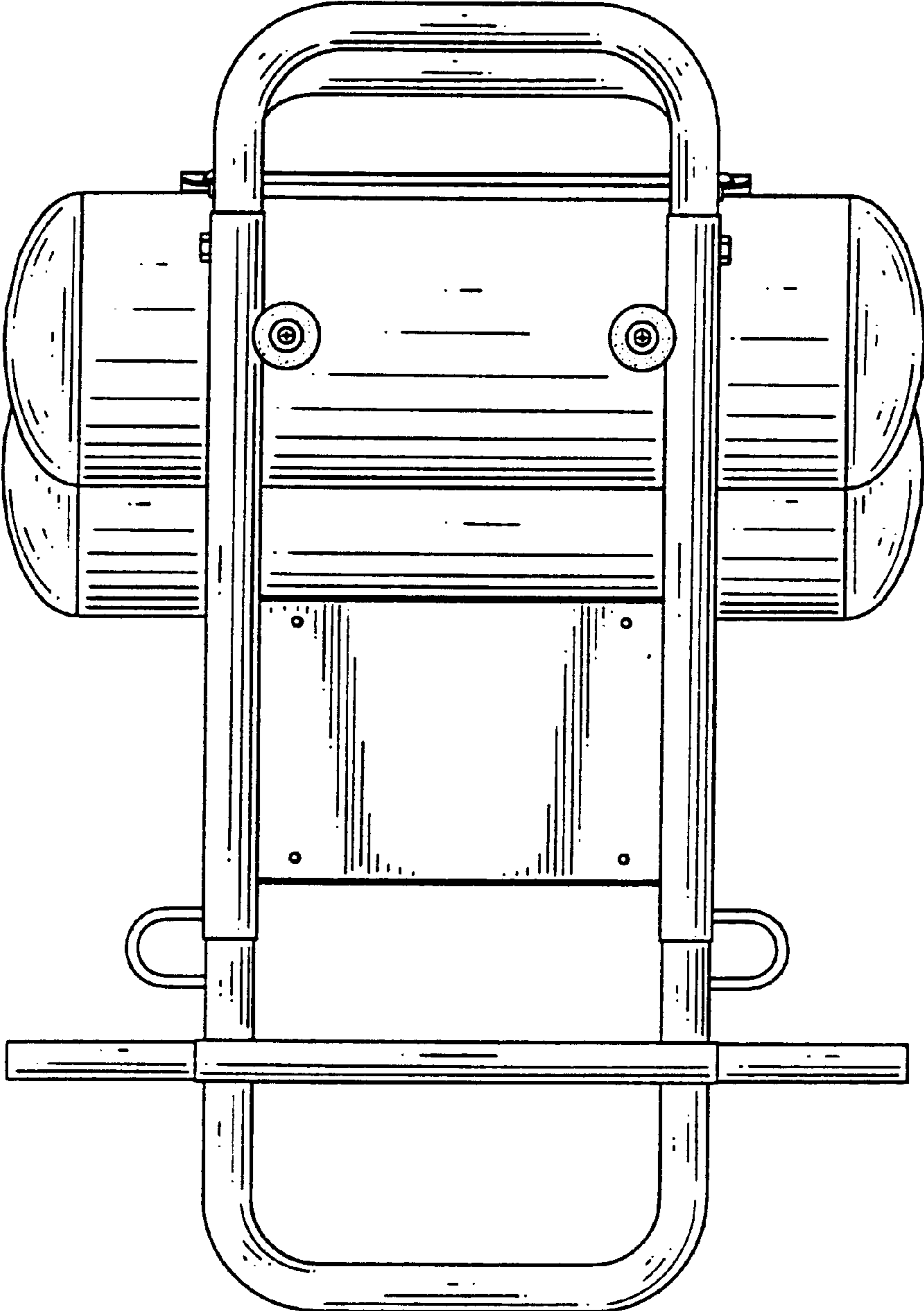


FIG.7

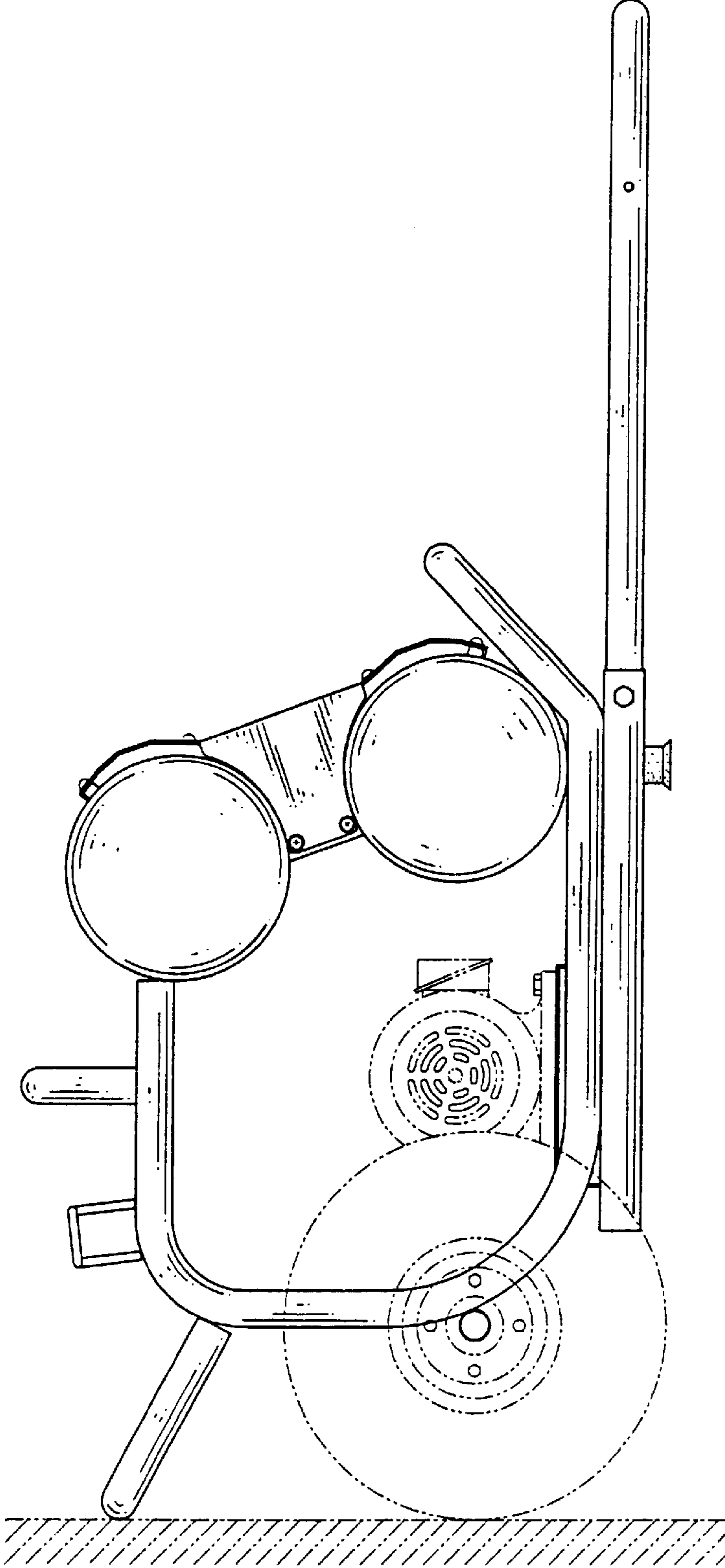


FIG.8

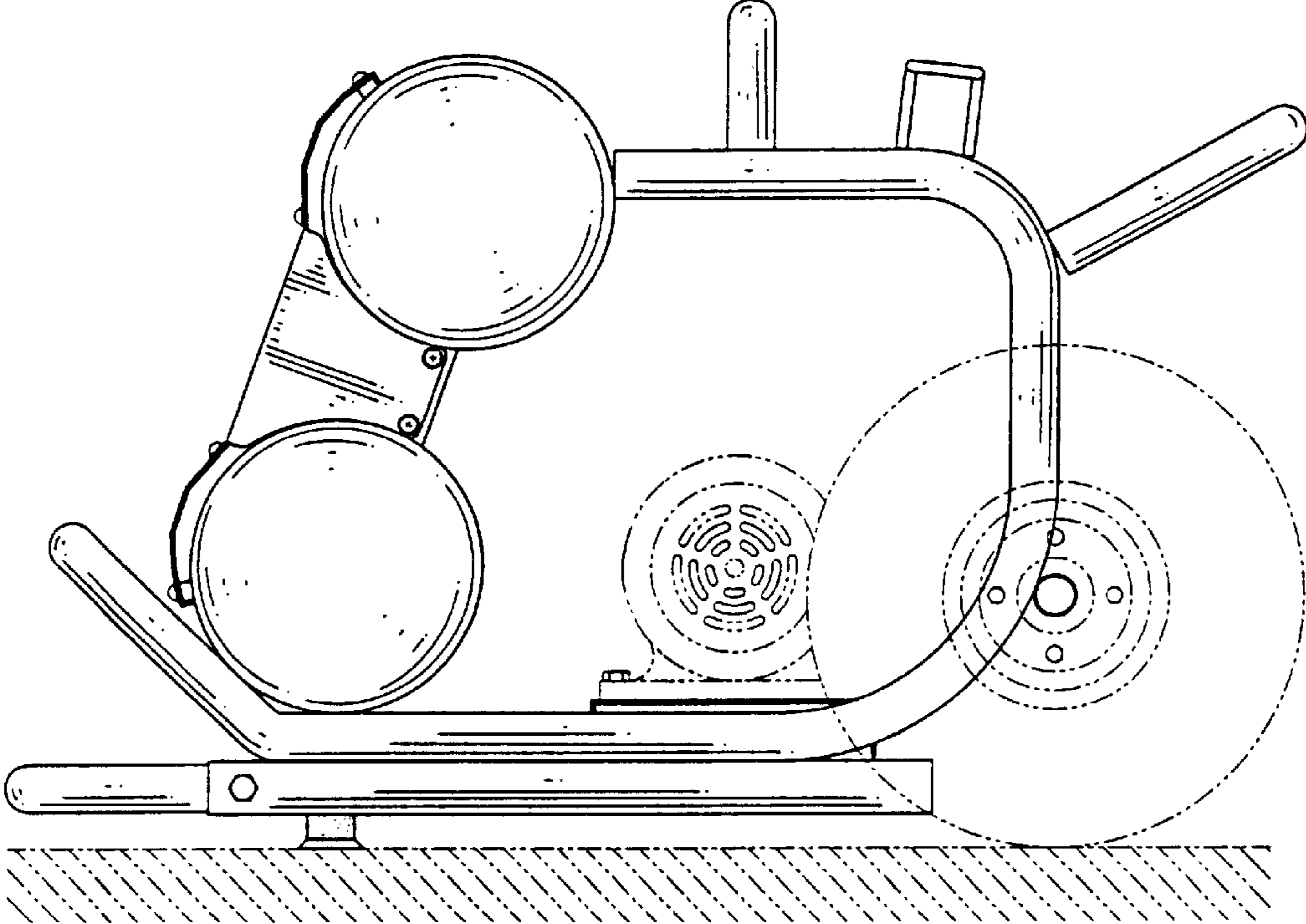


FIG.9