



US00D512478S

(12) **United States Design Patent** (10) **Patent No.:** **US D512,478 S**  
**Wisneski** (45) **Date of Patent:** **\*\* Dec. 6, 2005**

(54) **FISHING LURE HEAD**

(76) **Inventor:** **Joseph Wisneski**, 1642 Little Kelly Rd., Rocky Point, NC (US) 28457

(\*\*) **Term:** **14 Years**

(21) **Appl. No.:** **29/214,141**

(22) **Filed:** **Sep. 28, 2004**

(51) **LOC (8) Cl.** ..... **22-05**

(52) **U.S. Cl.** ..... **D22/128**

(58) **Field of Search** ..... D22/125-133;  
43/42.29, 42.28, 42.34, 42.38, 42.3, 42.25,  
42.39, 42.09, 42.06, 42.32

(56) **References Cited**

**U.S. PATENT DOCUMENTS**

D393,041 S	*	3/1998	Kress	.....	D22/128
D460,143 S	*	7/2002	McDaniel, Sr.	.....	D22/126
D472,293 S	*	3/2003	Clark	.....	D22/128
D503,452 S	*	3/2005	Mouso	.....	D22/128

\* cited by examiner

*Primary Examiner*—Catherine R. Oliver  
(74) *Attorney, Agent, or Firm*—John M. Johnson, Esq.;  
Carter Ledyard & Milburn LLP

(57) **CLAIM**

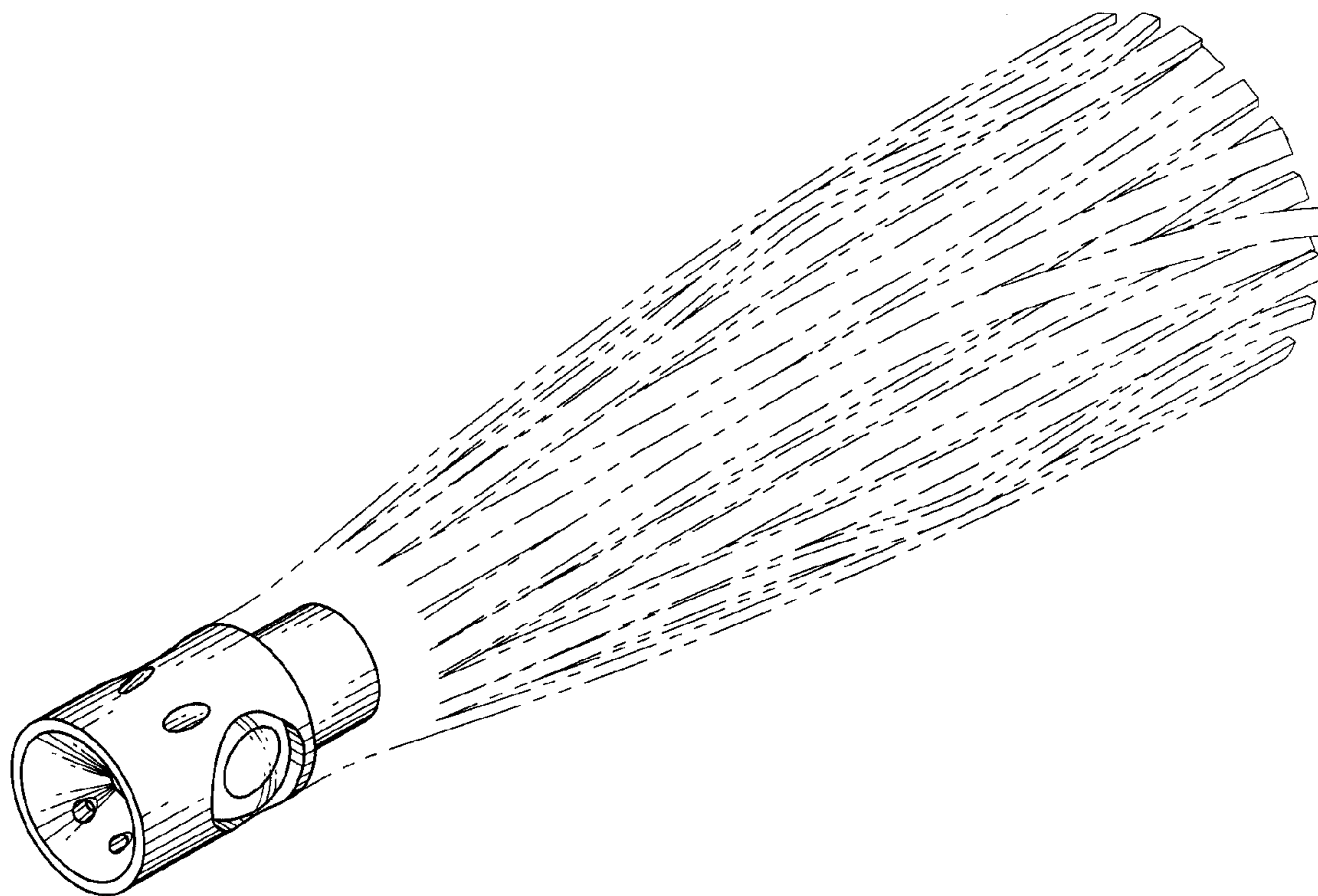
The ornamental design for a fishing lure head, substantially as shown and described.

**DESCRIPTION**

FIG. 1 is a perspective view of a fishing lure head according to the present invention;  
FIG. 2 is a front view thereof;  
FIG. 3 is a rear view thereof;  
FIG. 4 is a left side view thereof;  
FIG. 5 is a right side view thereof;  
FIG. 6 is a top view thereof; and,  
FIG. 7 is a bottom view thereof.

The broken lines showing environment in the drawings are for illustrative purposes only and form no part of the claimed design.

**1 Claim, 3 Drawing Sheets**



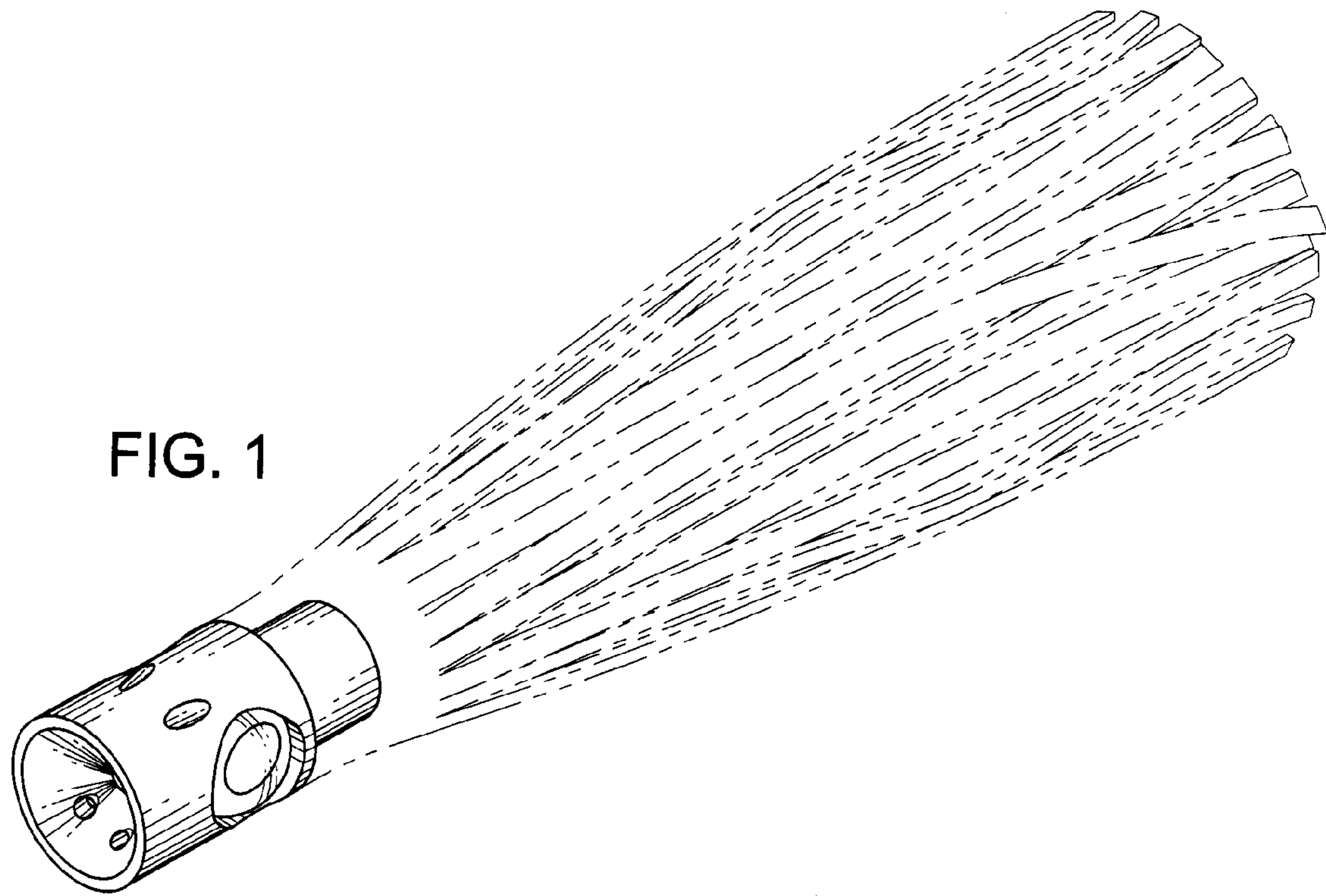


FIG. 2

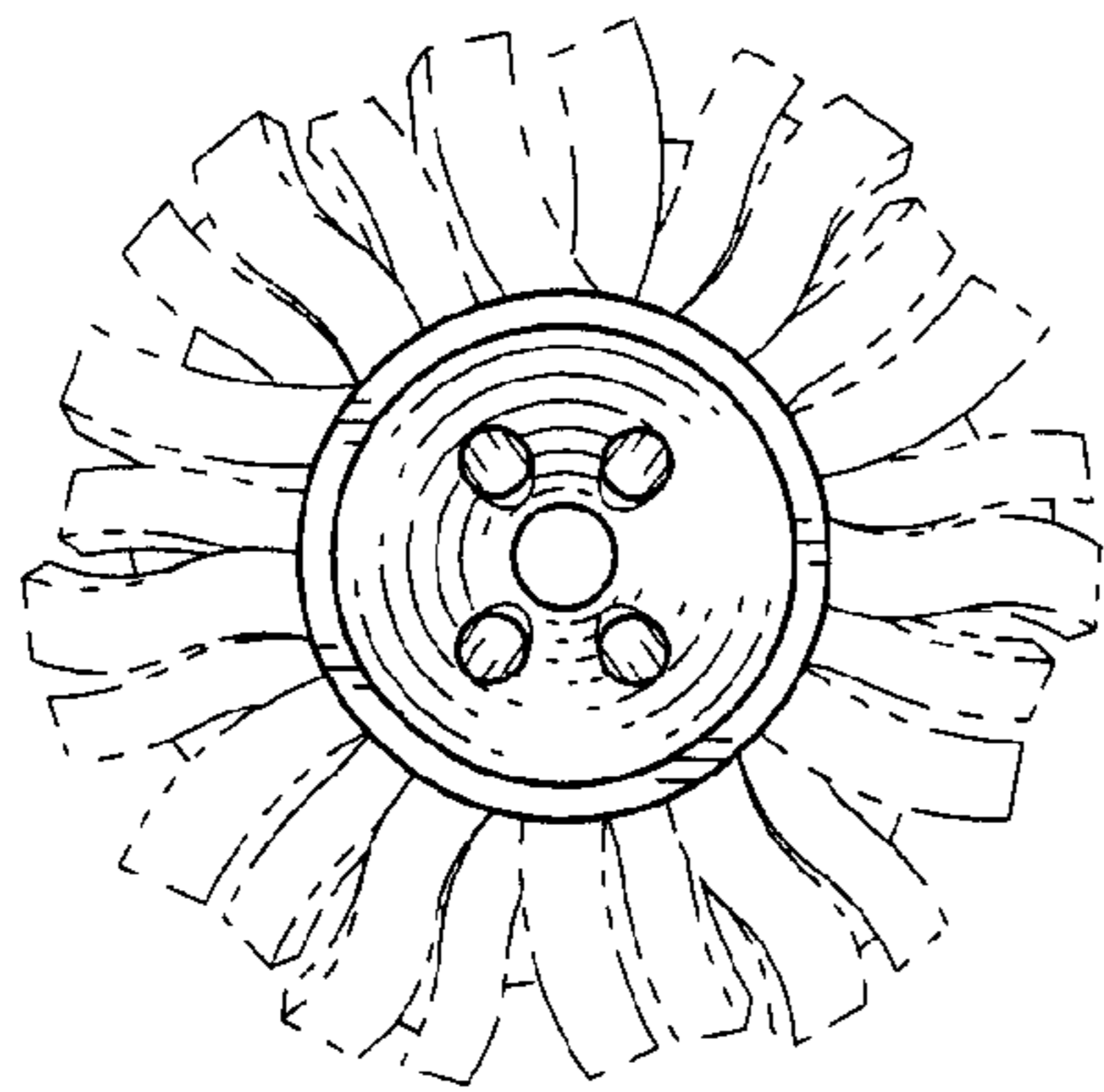


FIG. 3

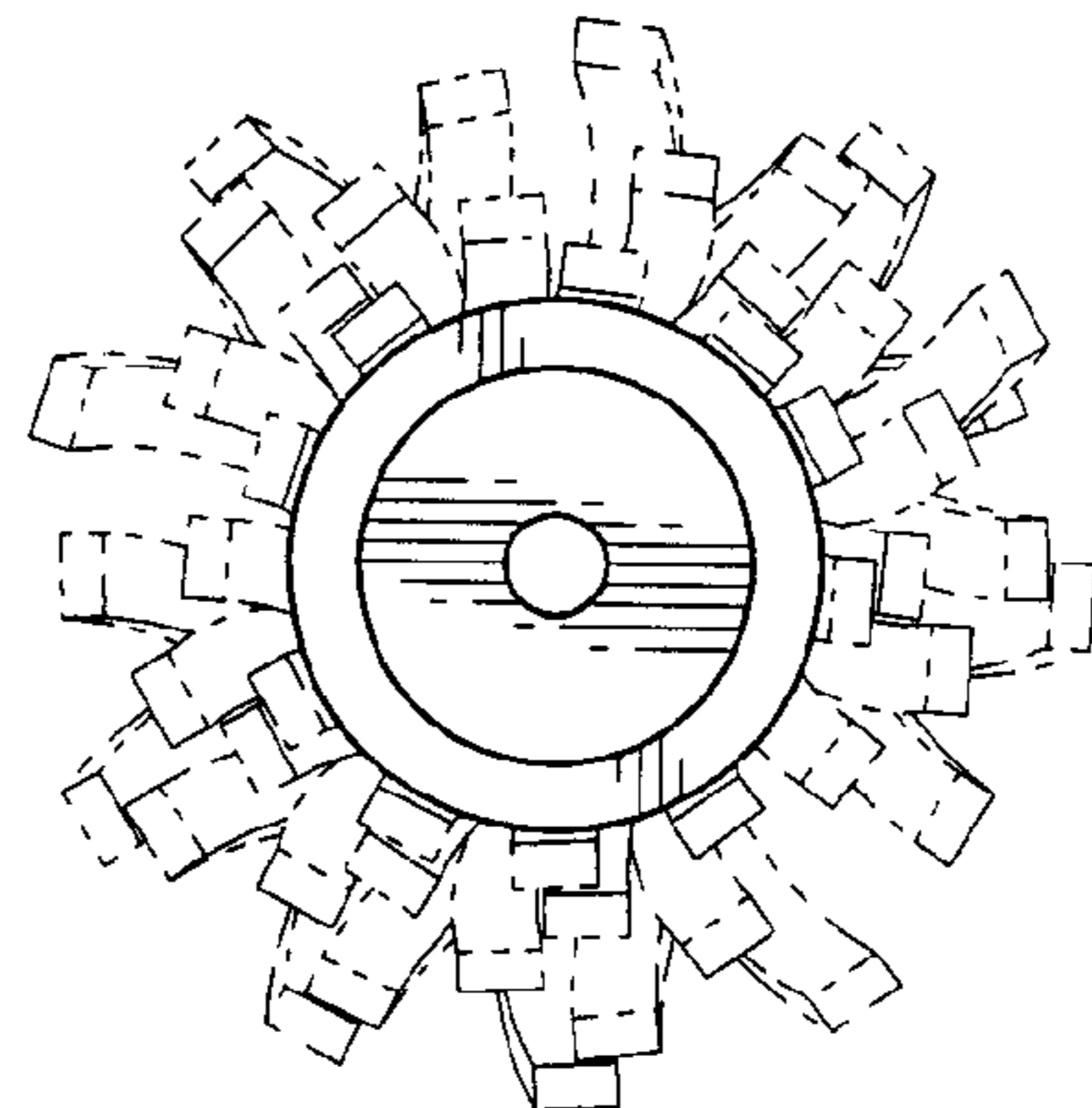


FIG. 4

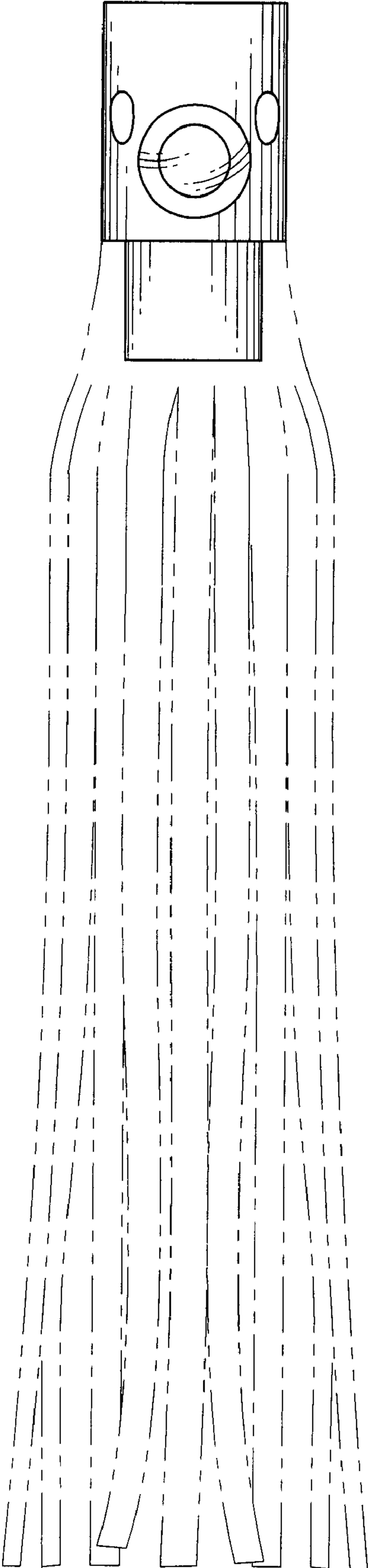


FIG. 5

