

US00D512477S

(12) **United States Design Patent**  
**Diaz**

(10) **Patent No.:** **US D512,477 S**  
(45) **Date of Patent:** **\*\* Dec. 6, 2005**

(54) **CORNER FITTING FOR TENT FRAME**

D464,392 S \* 10/2002 Choi ..... D21/839

(75) **Inventor:** **Ricardo Payan Diaz, Medellin (CO)**

**OTHER PUBLICATIONS**

(73) **Assignee:** **Economy Tent International, Miami, FL (US)**

Economy Party Tent and Canopy Corner Fitting and Crown, Oct. 14, 2004, www.economytent.com.

(\*\*) **Term:** **14 Years**

\* cited by examiner

(21) **Appl. No.:** **29/218,440**

*Primary Examiner*—Antoine Duval Davis

(22) **Filed:** **Dec. 2, 2004**

*Assistant Examiner*—Cynthia M. Chin

(51) **LOC (8) Cl.** ..... **21-02**

(52) **U.S. Cl.** ..... **D21/839**

(58) **Field of Search** ..... D21/834-839;  
D8/349, 354, 396; 135/98, 99, 121, 124,  
127, 132, 133, 136, 120.1, 120.2, 120.3,  
156

(74) *Attorney, Agent, or Firm*—Robert C. Kain, Jr.; Fleit Kain

(57) **CLAIM**

I claim the ornamental design for a corner fitting for tent frame, as shown.

(56) **References Cited**

**DESCRIPTION**

**U.S. PATENT DOCUMENTS**

- 117,370 A \* 7/1871 Bates ..... 135/121
- 1,610,801 A \* 12/1926 McKinnon ..... 135/120.3
- 3,168,101 A \* 2/1965 Porter ..... 135/156
- 5,117,853 A \* 6/1992 Pruesner ..... 135/121
- 5,732,726 A \* 3/1998 Lee ..... 135/156
- D454,609 S \* 3/2002 Meyerhoffer et al. .... D21/639

FIG. 1 is a perspective view of the corner fitting for tent frame.

FIG. 2 is a front view of the corner fitting for tent frame.

FIG. 3 is a rear view of the corner fitting for tent frame.

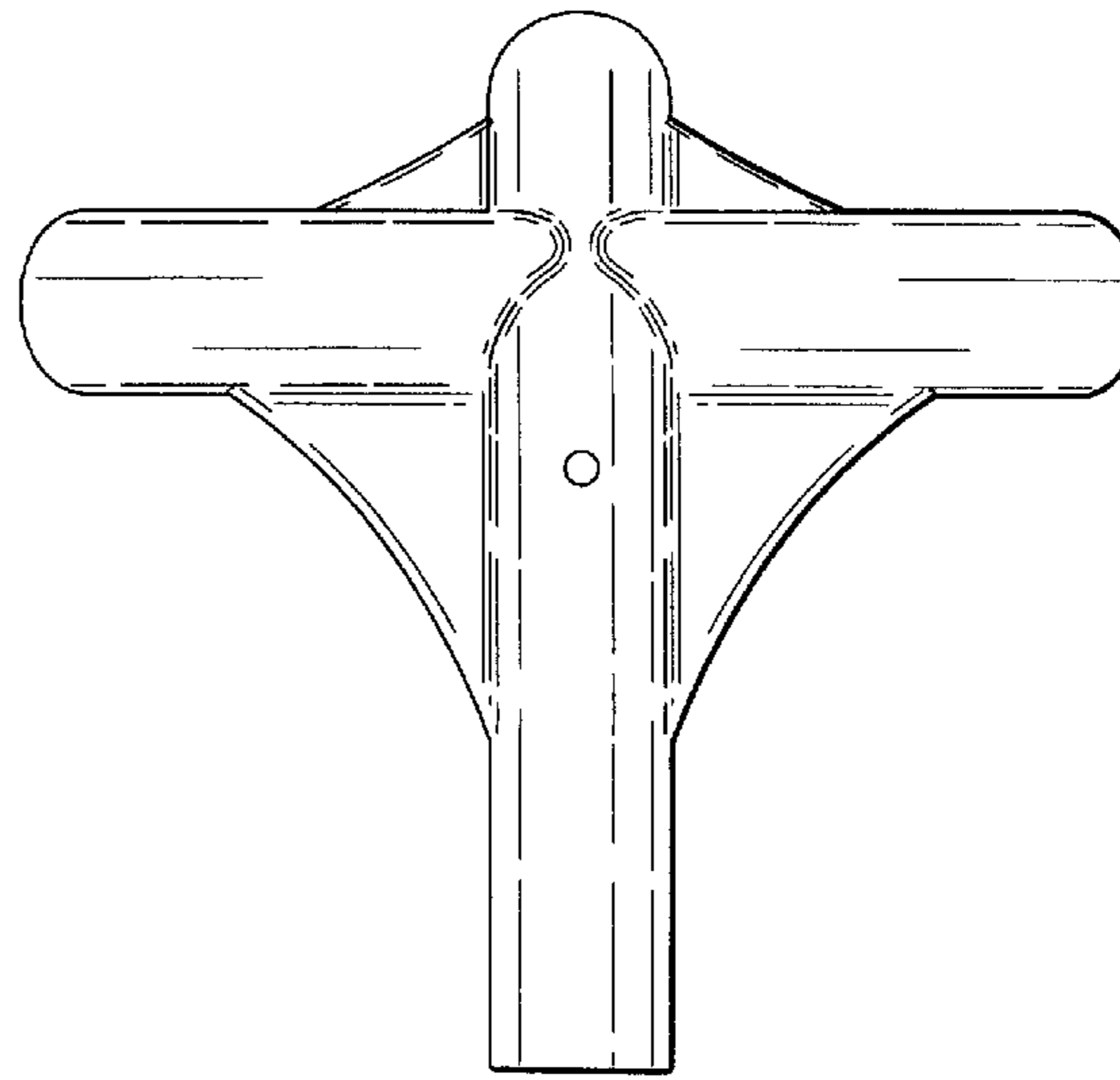
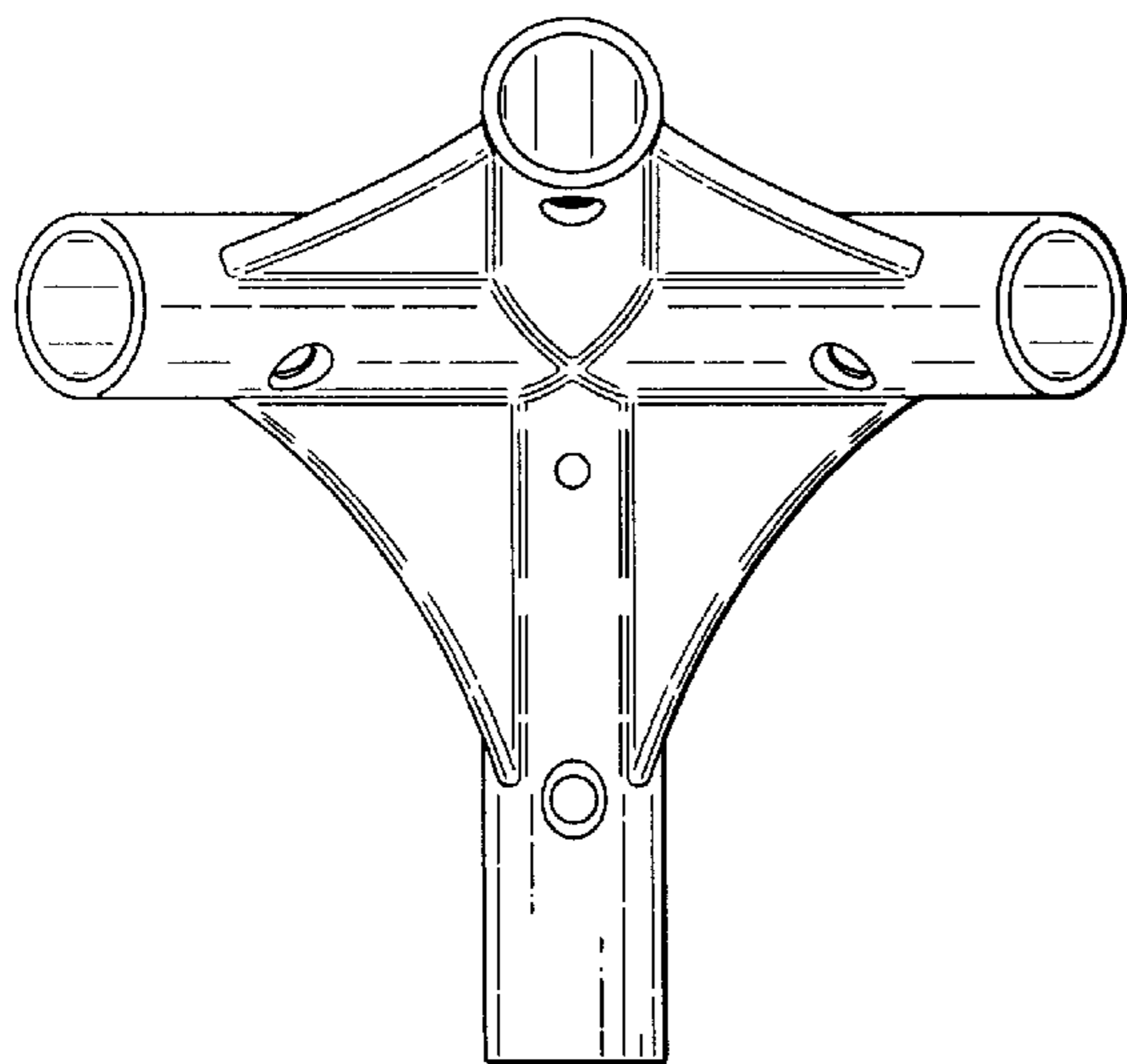
FIG. 4 is a left side view of the corner fitting for tent frame.

FIG. 5 is a right side view of the corner fitting for tent frame.

FIG. 6 is a top view of the corner fitting for tent frame; and,

FIG. 7 is a bottom view of the corner fitting for tent frame.

**1 Claim, 2 Drawing Sheets**



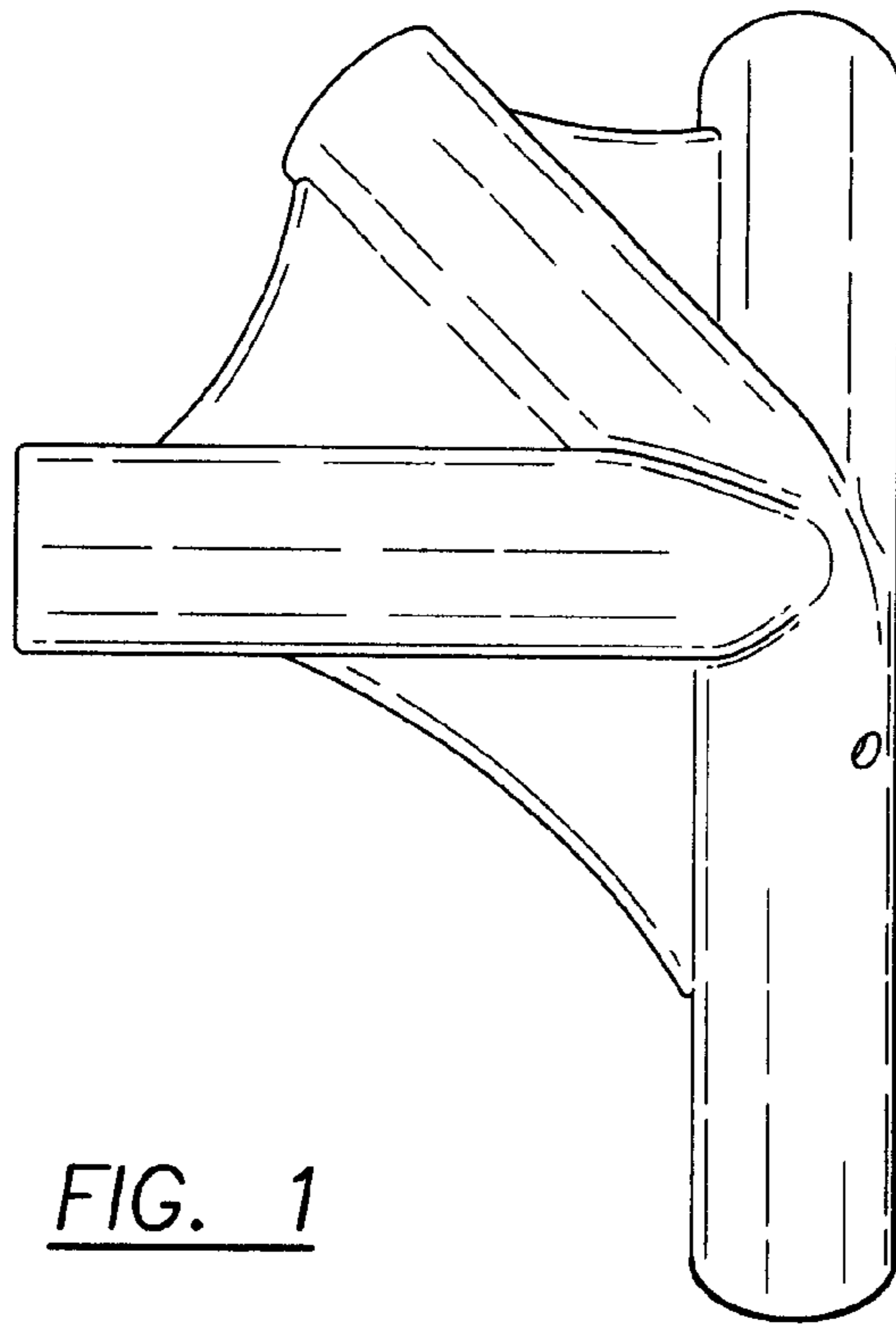


FIG. 1

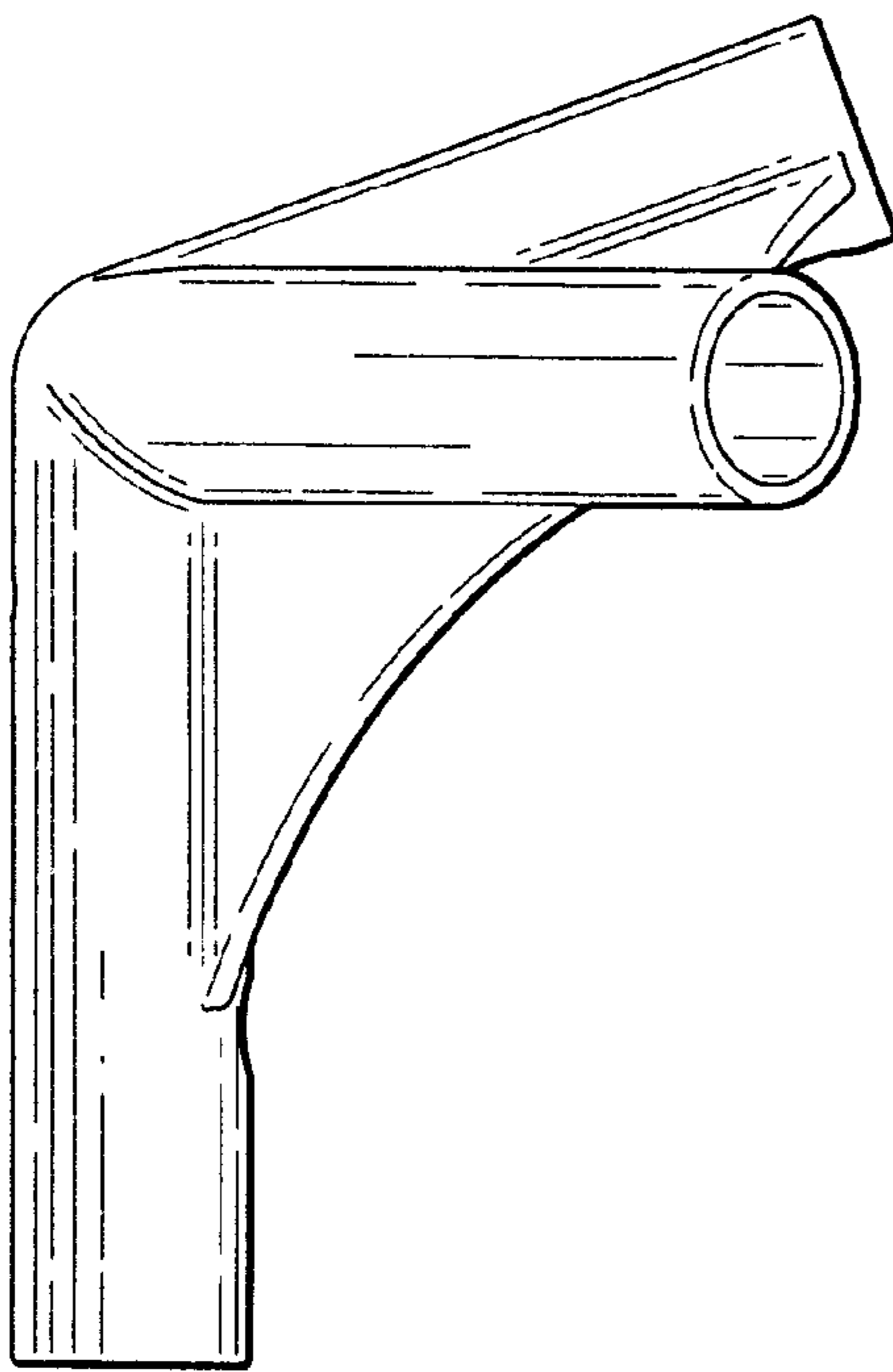


FIG. 3

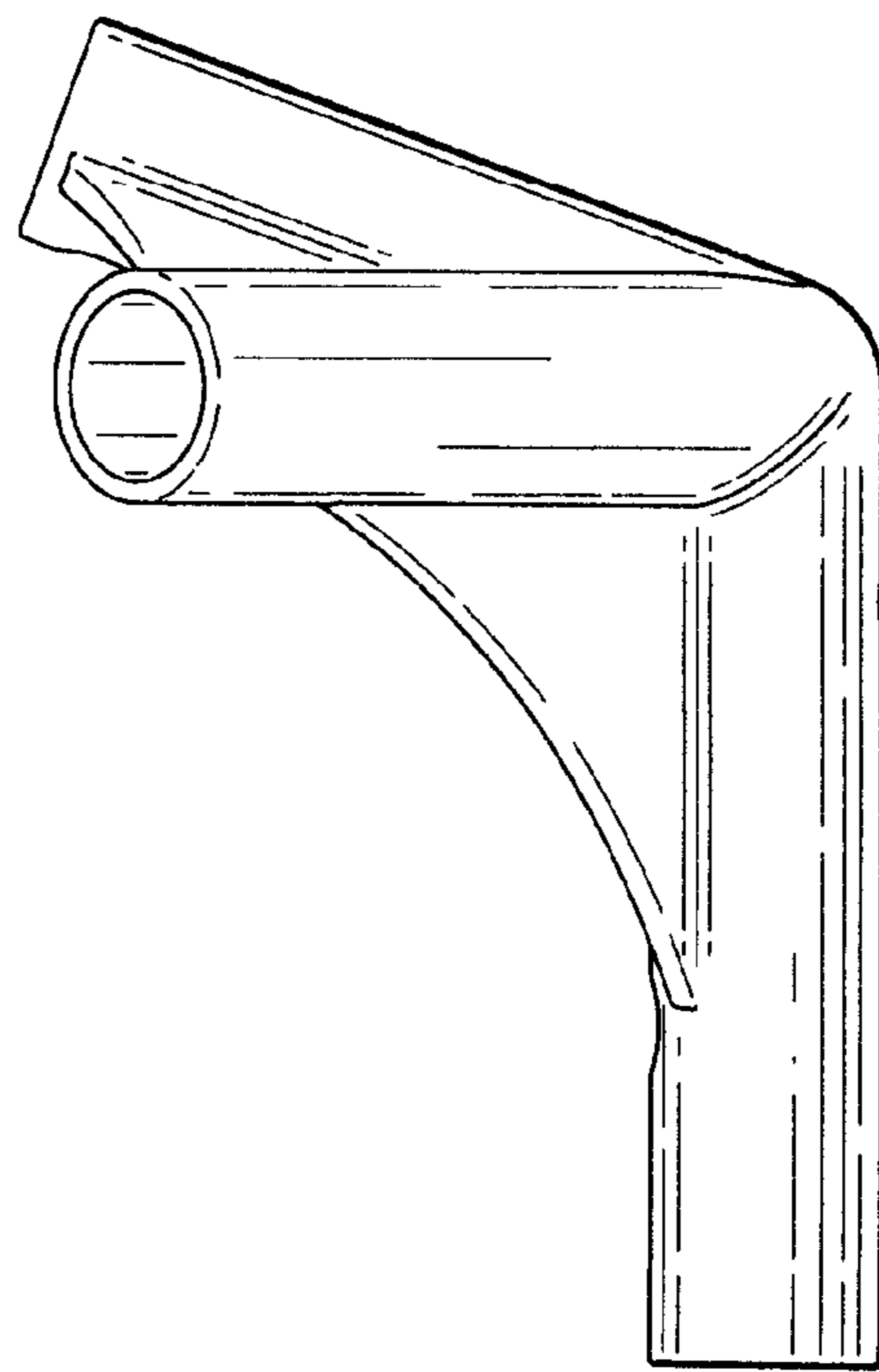


FIG. 2

