



US00D512474S

(12) **United States Design Patent**
Madore

(10) **Patent No.:** **US D512,474 S**
(45) **Date of Patent:** **** Dec. 6, 2005**

(54) **PORTION OF A GOLF CLUB HEAD**

(75) Inventor: **Carl L. Madore**, Portland, OR (US)

(73) Assignee: **Nike, Inc.**, Beaverton, OR (US)

(**) Term: **14 Years**

(21) Appl. No.: **29/217,744**

(22) Filed: **Nov. 23, 2004**

(51) **LOC (8) Cl.** **21-02**

(52) **U.S. Cl.** **D21/759**

(58) **Field of Search** D21/747-751,
D21/759; 473/324-331, 350

(56) **References Cited**

U.S. PATENT DOCUMENTS

D179,092 S	10/1956	Pavlis	
5,014,993 A	5/1991	Antonious	
D319,091 S	8/1991	Antonious	
D319,858 S	9/1991	Antonious	
5,074,563 A	12/1991	Gorman	
D328,483 S	8/1992	Antonious	
D330,926 S	11/1992	Antonious	
D336,672 S	6/1993	Gorman	
D360,925 S	8/1995	Antonious	
D428,634 S	7/2000	Nagai et al.	
D428,635 S	* 7/2000	Nagai et al. D21/759
D435,278 S	12/2000	Reed et al.	
D456,056 S	4/2002	Bakke	
D466,576 S	12/2002	Nagai et al.	
D466,961 S	* 12/2002	Nagai et al. D21/759
D469,833 S	2/2003	Roberts et al.	
D475,108 S	5/2003	Madore	
D475,428 S	6/2003	Madore	
D478,952 S	8/2003	Greene	
D481,432 S	10/2003	Greene	
D487,127 S	2/2004	Madore	
D490,129 S	5/2004	Greene	

D490,490 S	5/2004	Gilbert et al.
D490,871 S	6/2004	Gilbert et al.
D492,377 S	6/2004	Roach et al.
D496,419 S	9/2004	Lang et al.
D498,277 S	11/2004	Lang et al.

OTHER PUBLICATIONS

Golfsmith Clubmaking Catalog 1999 p. 9 (Golfsmith Jetstream), dated 1999.
 Edwin Watts Golf Catalog Holiday 2000 p. 74 (Mizuno TC-29 Midsize Iron), dated 2000.
 Edwin Watts Golf Catalog Holiday 2001 p. 27 (Mizuno MX-20 Forged Iron and MX-11 Iron).
 Edwin Watts Golf Catalog Summer 2003 p. 18 (Mizuno MX-15 Iron), dated 2003.
 Edwin Watts Golf Catalog Jan. 2004 p. 53 (Taylormade 360 XD Iron), dated 2004.
 Edwin Watts Golf Catalog Holiday 2004 pp. 11 (Taylormade rac OS2 Iron, rac LT2 Iron and RAC TP2 Iron) and 87 (Nike Pro Combo Irons), dated 2004.

* cited by examiner

Primary Examiner—Mitchell Siegel
(74) *Attorney, Agent, or Firm*—Banner & Witcoff, Ltd.

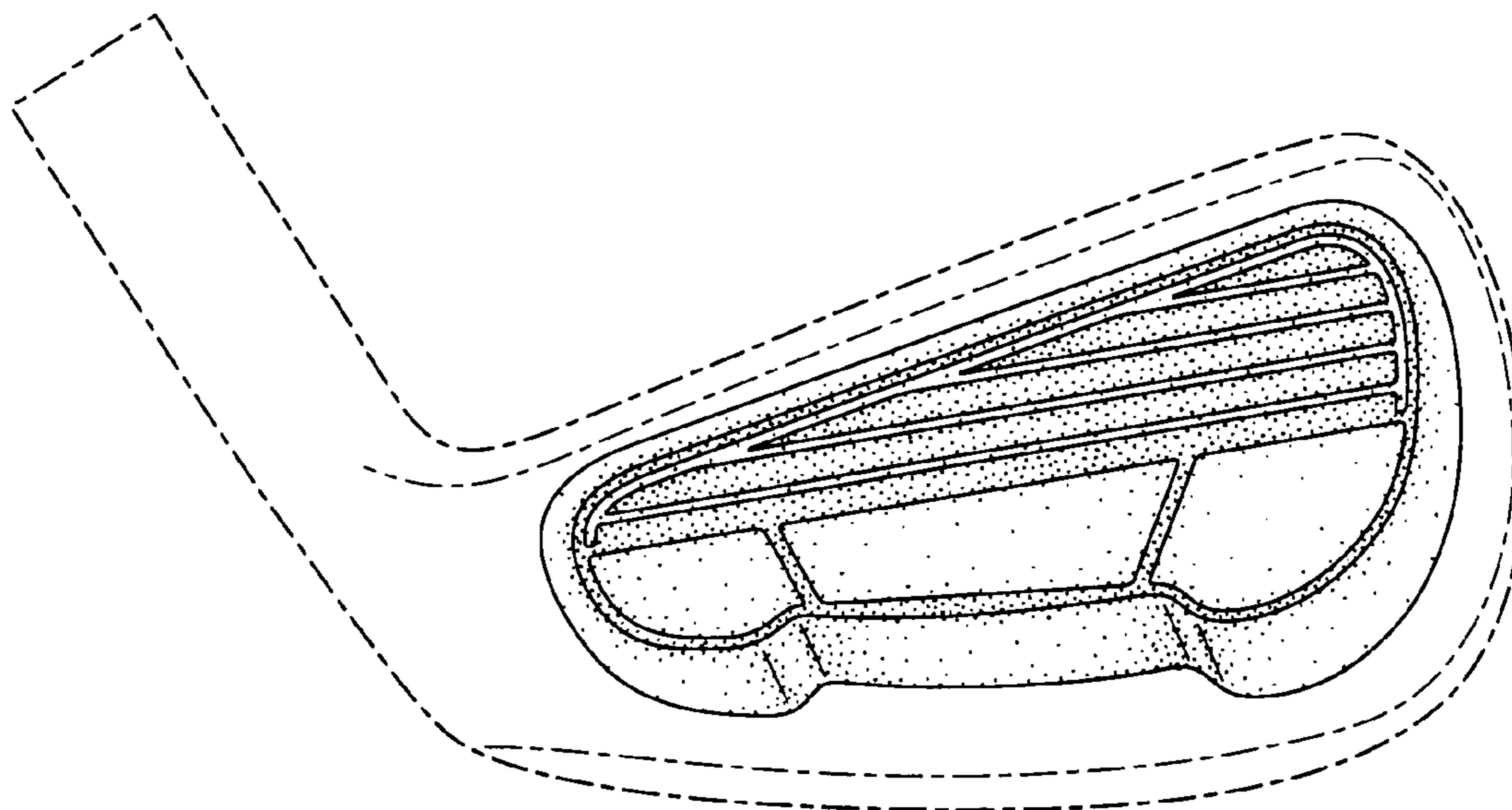
(57) **CLAIM**

The ornamental design for a portion of a golf club head, as shown and described.

DESCRIPTION

FIG. 1 is a perspective view of a portion of a golf club head showing my new design;
 FIG. 2 is a rear view thereof; and,
 FIG. 3 is a bottom view thereof.
 The broken line showing of the remainder of the golf head is for illustrative purposes only and forms no part of the claimed design.

1 Claim, 2 Drawing Sheets



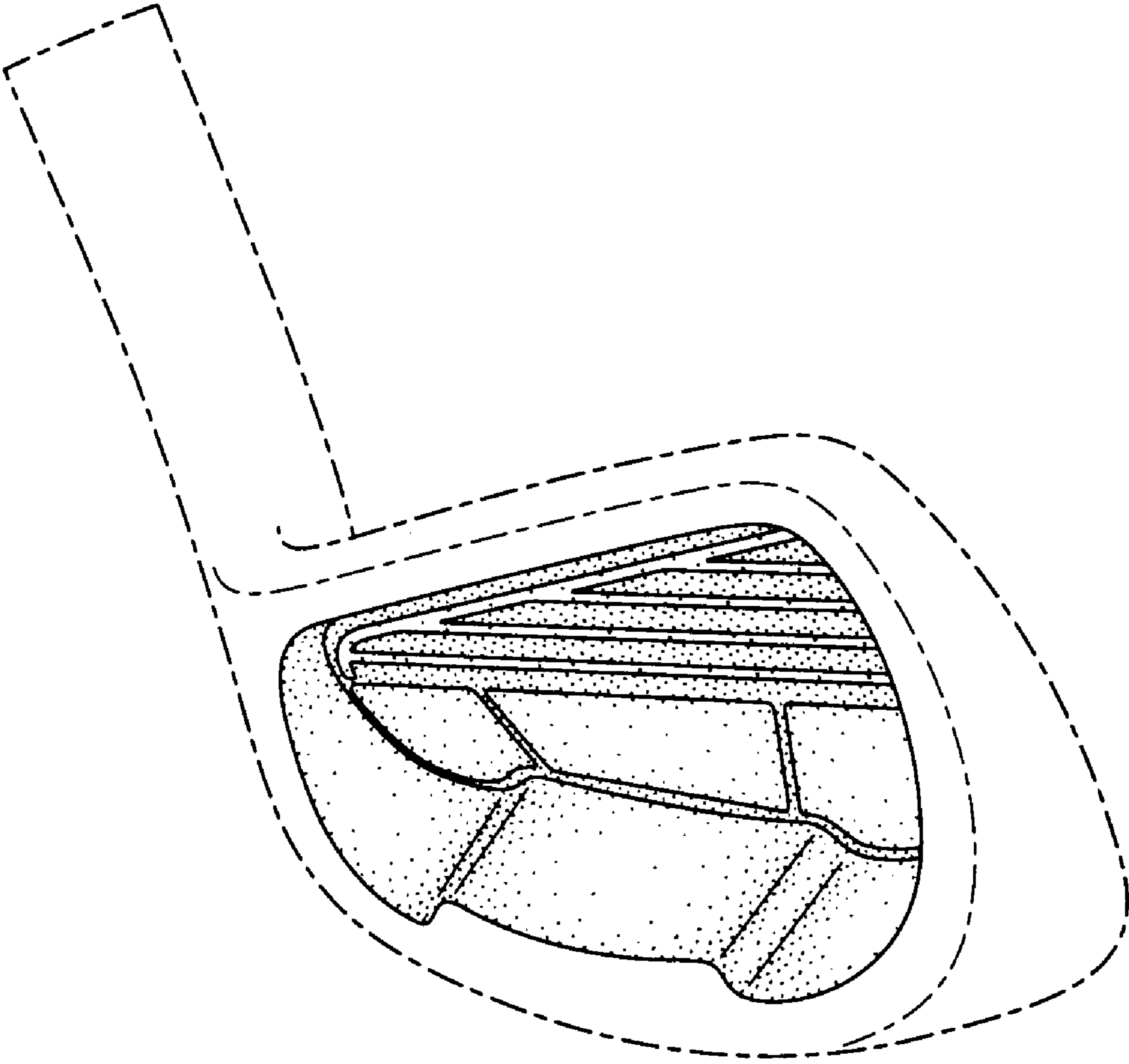


FIG. 1

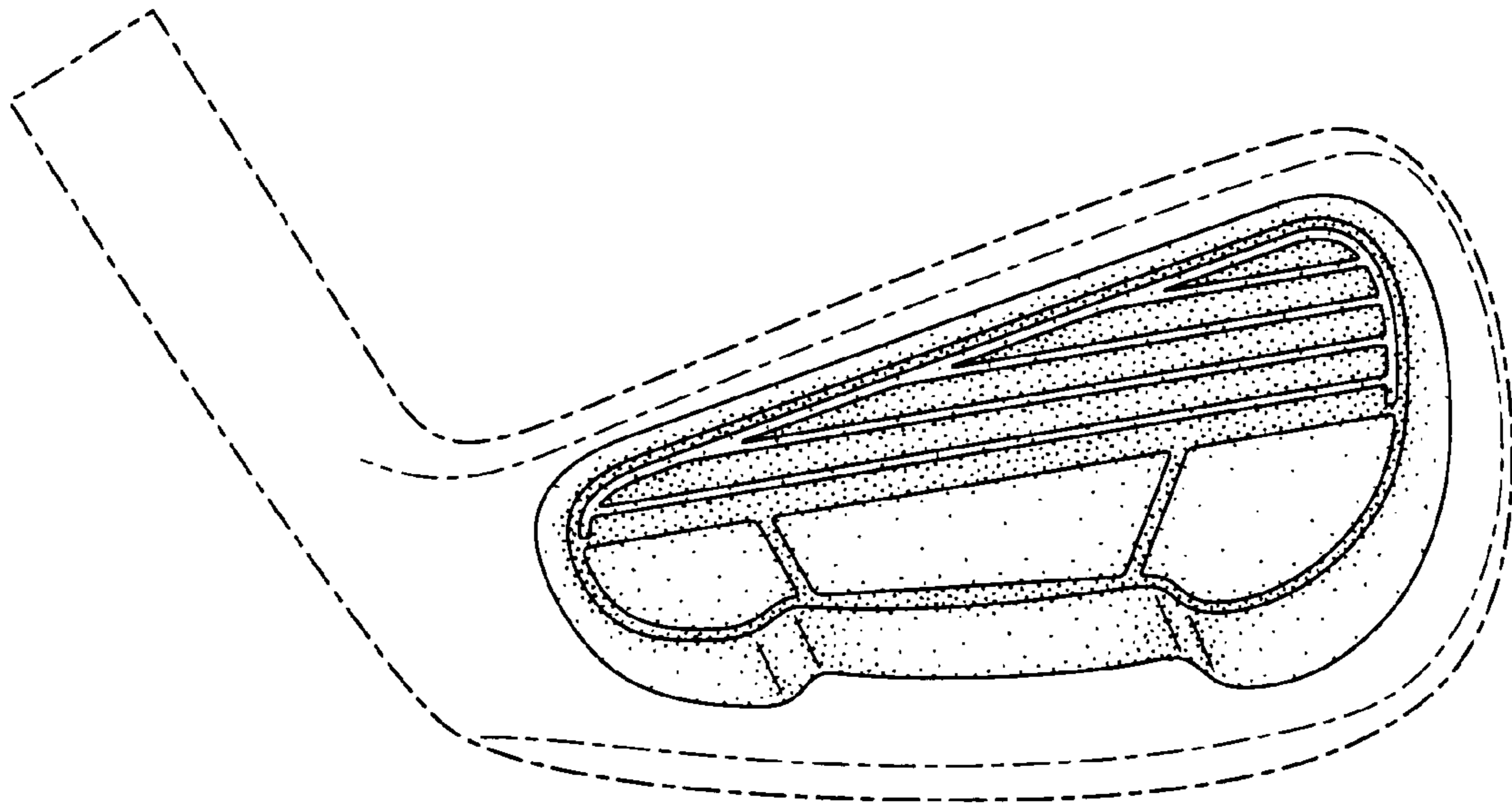


FIG. 2

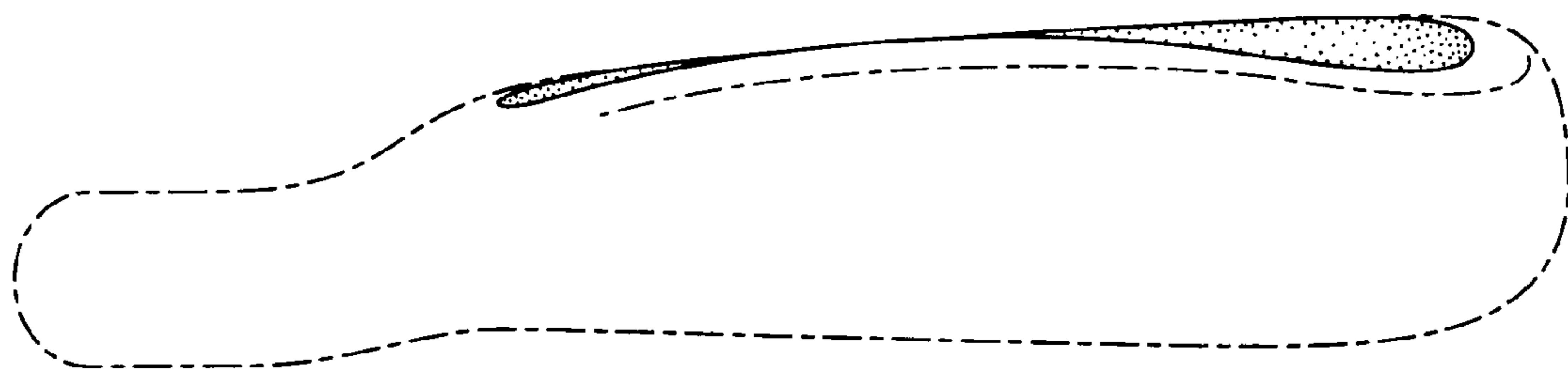


FIG. 3