

US00D512467S

(12) **United States Design Patent**
Hadley et al.

(10) **Patent No.: US D512,467 S**
(45) **Date of Patent: ** Dec. 6, 2005**

(54) **GO KART**

(75) Inventors: **Robert Hadley**, Yorba Linda, CA (US);
Steve Sramek, Long Beach, CA (US)

(73) Assignee: **Razor USA LLC**, Cerritos, CA (US)

(**) Term: **14 Years**

(21) Appl. No.: **29/199,420**

(22) Filed: **Feb. 13, 2004**

(51) **LOC (8) Cl. 21-01**

(52) **U.S. Cl. D21/424**

(58) **Field of Search** D21/419-435,
D21/533-534, 548-551, 561-563; D12/87-88,
16, 108; 446/160, 447, 428, 456, 465, 470;
280/1.13, 87.01, 87.02, 87.041, 828, 775,
756, 211, 259, 282, 124.103, 124.11, 93.507;
180/56, 65.1, 350, 271, 291, 89.1

(56) **References Cited**

U.S. PATENT DOCUMENTS

3,177,962	A	*	4/1965	Bailey	280/282
3,799,283	A	*	3/1974	Freber	180/56
4,205,860	A	*	6/1980	Tsuchiya et al.	280/93.507
4,896,899	A	*	1/1990	Lawrence	280/775
5,265,690	A	*	11/1993	Amundsen et al.	180/89.1
D408,869	S	*	4/1999	Patmont	D21/426
5,921,341	A	*	7/1999	Atkins	180/350
5,961,135	A	*	10/1999	Smock	280/124.11
6,039,335	A	*	3/2000	Sheridan	280/124.103

D432,186	S	*	10/2000	Kuo	D21/433
6,250,413	B1	*	6/2001	Horton	180/291
6,349,786	B1	*	2/2002	Gift	180/271
D488,194	S	*	4/2004	Fox et al.	D21/424

OTHER PUBLICATIONS

Toys and Novelties, p. 11, Jun. 10, 1961.*
Copy of website for BLADEZ powerkarts; www.ebladez.com.
Copy of website for go-ped Brand Scooters; www.go-ped.com.

* cited by examiner

Primary Examiner—Raphael Barkai
(74) *Attorney, Agent, or Firm*—Knobbe, Martens, Olson & Bear LLP

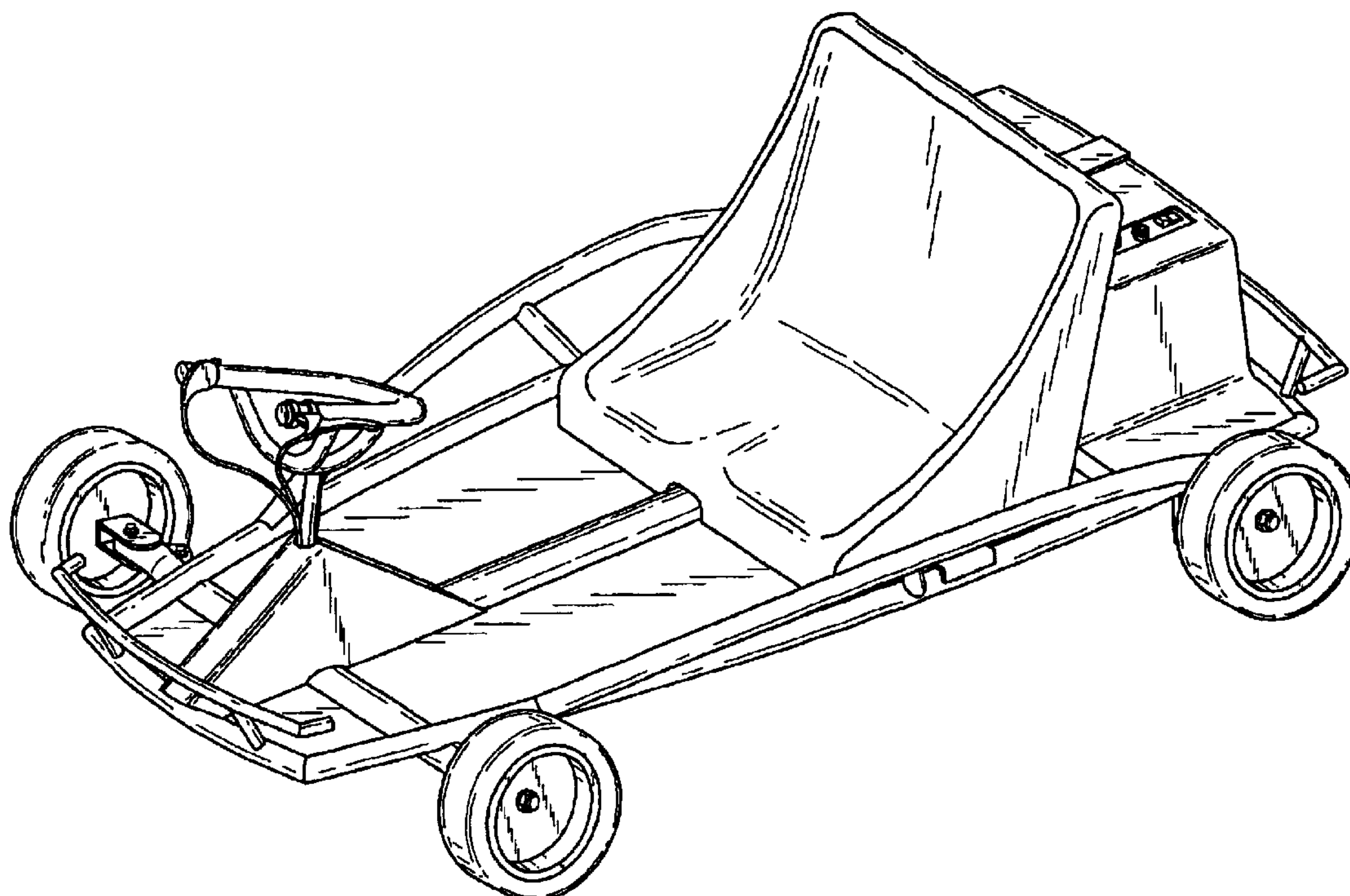
(57) **CLAIM**

The ornamental design for a go kart, as shown and described.

DESCRIPTION

FIG. 1 is a perspective view of a go kart;
FIG. 2 is a top plan view thereof;
FIG. 3 is a bottom plan view thereof;
FIG. 4 is a front elevational view thereof;
FIG. 5 is a rear elevational view thereof;
FIG. 6 is a left side elevational view thereof; and,
FIG. 7 is a right side elevational view thereof.

1 Claim, 4 Drawing Sheets



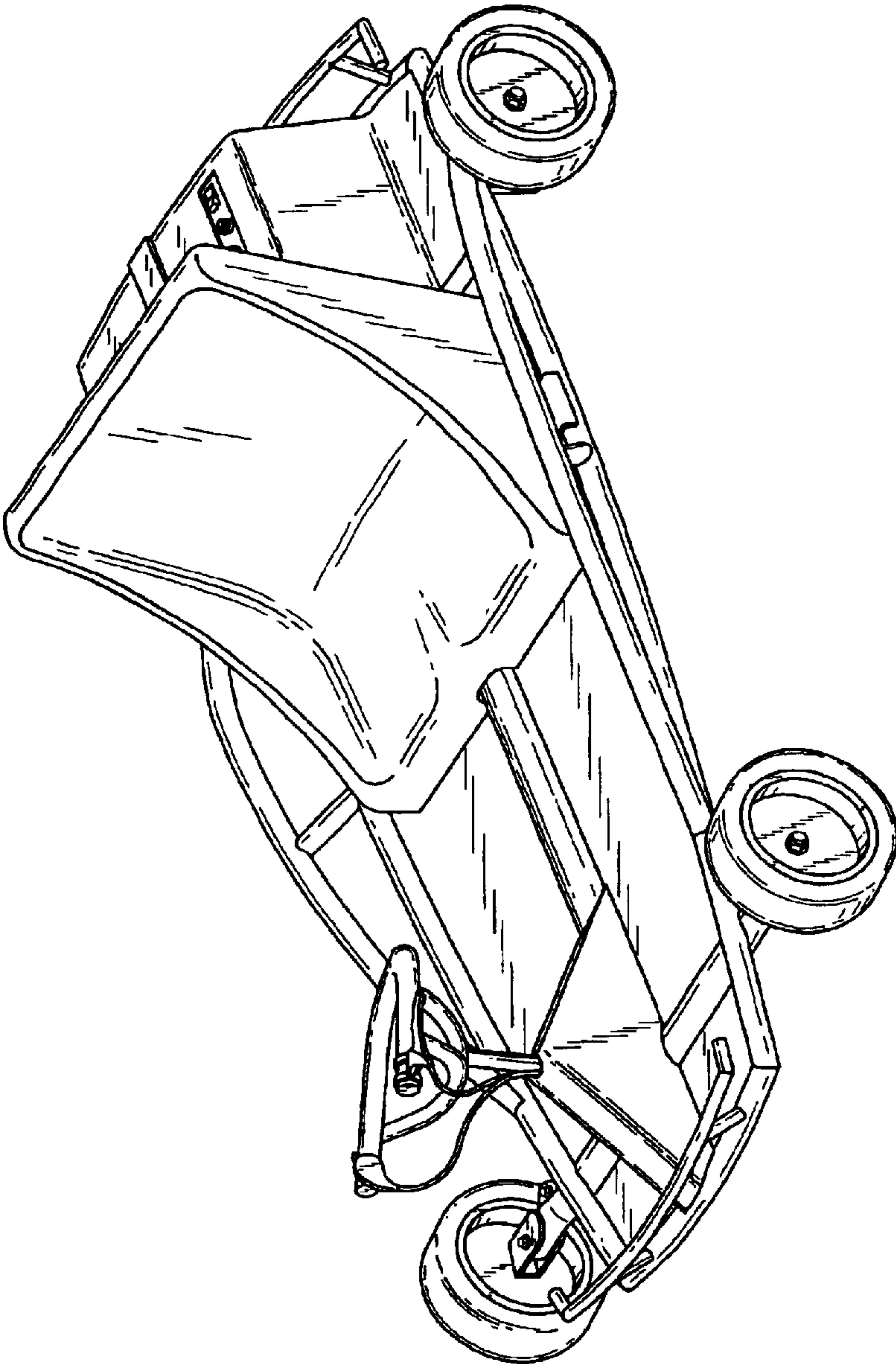


FIG. 1

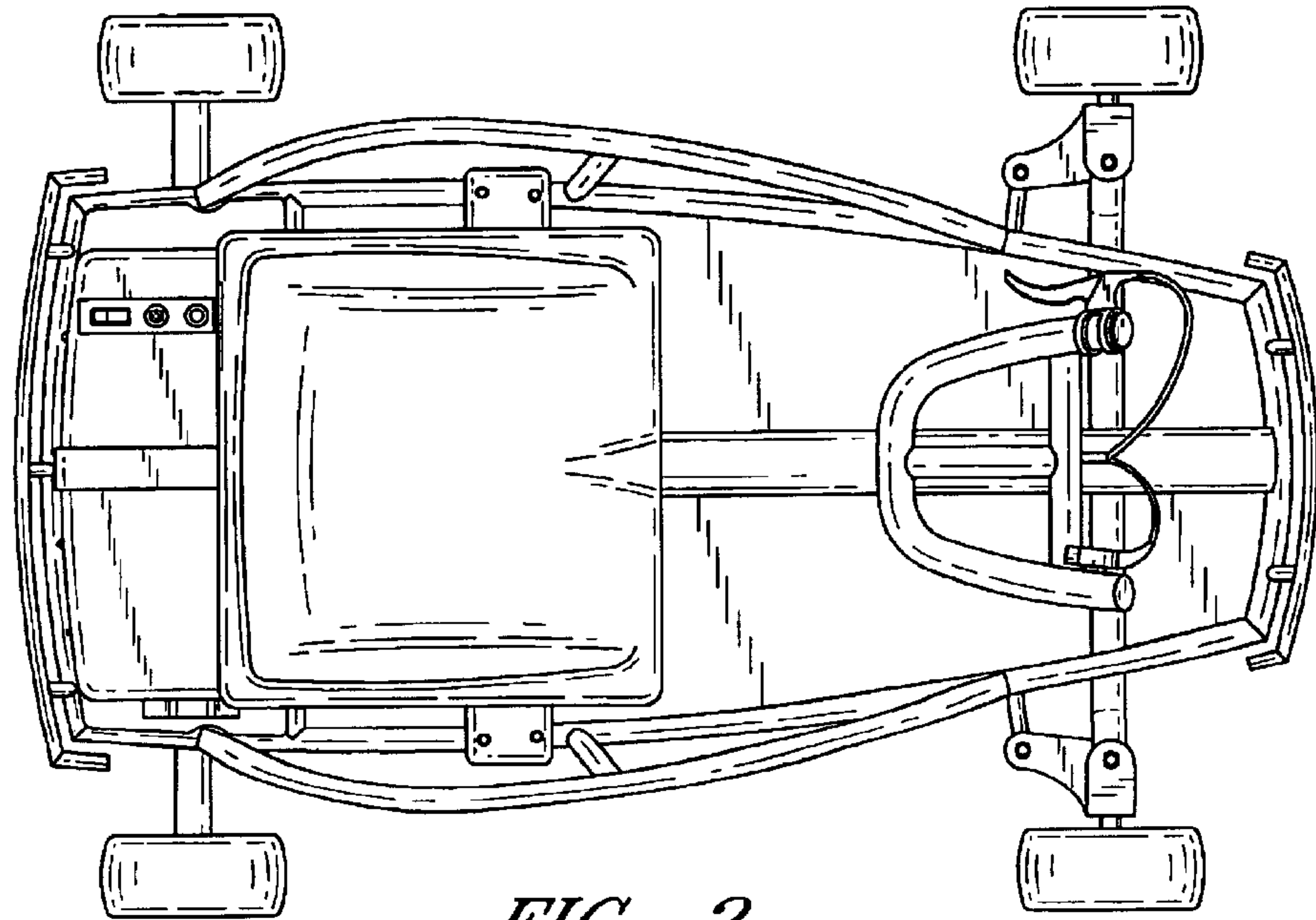


FIG. 2

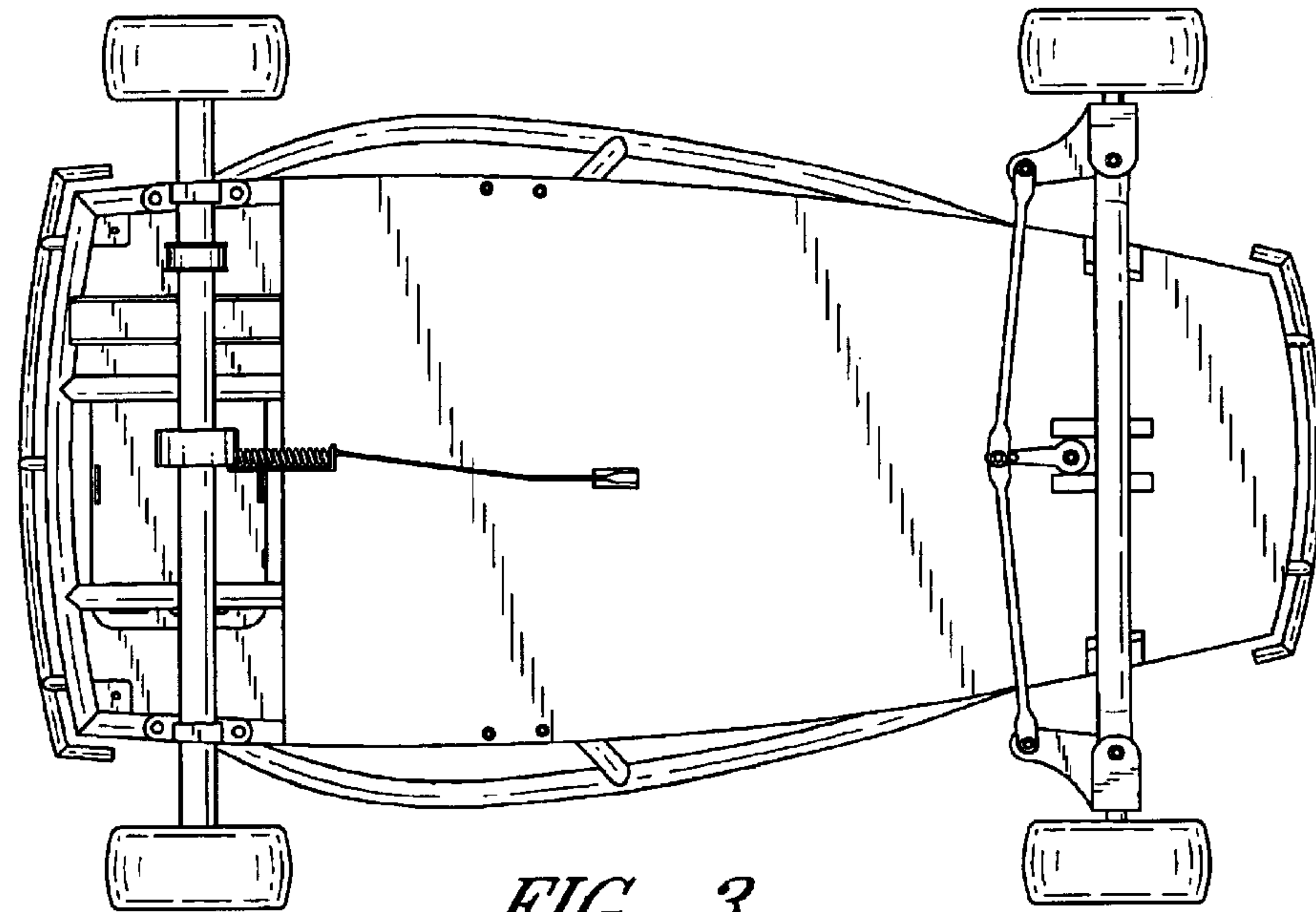


FIG. 3

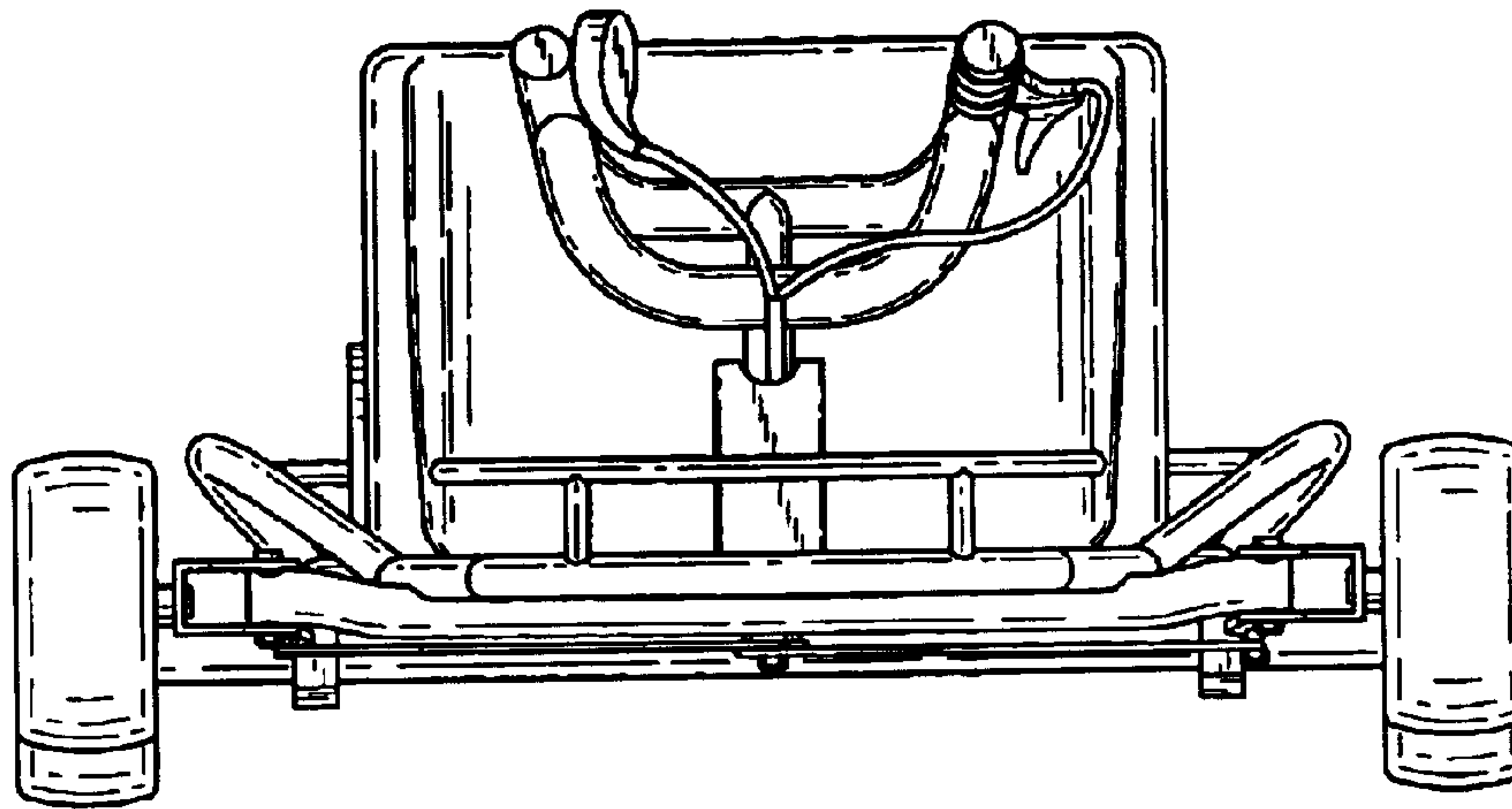


FIG. 4

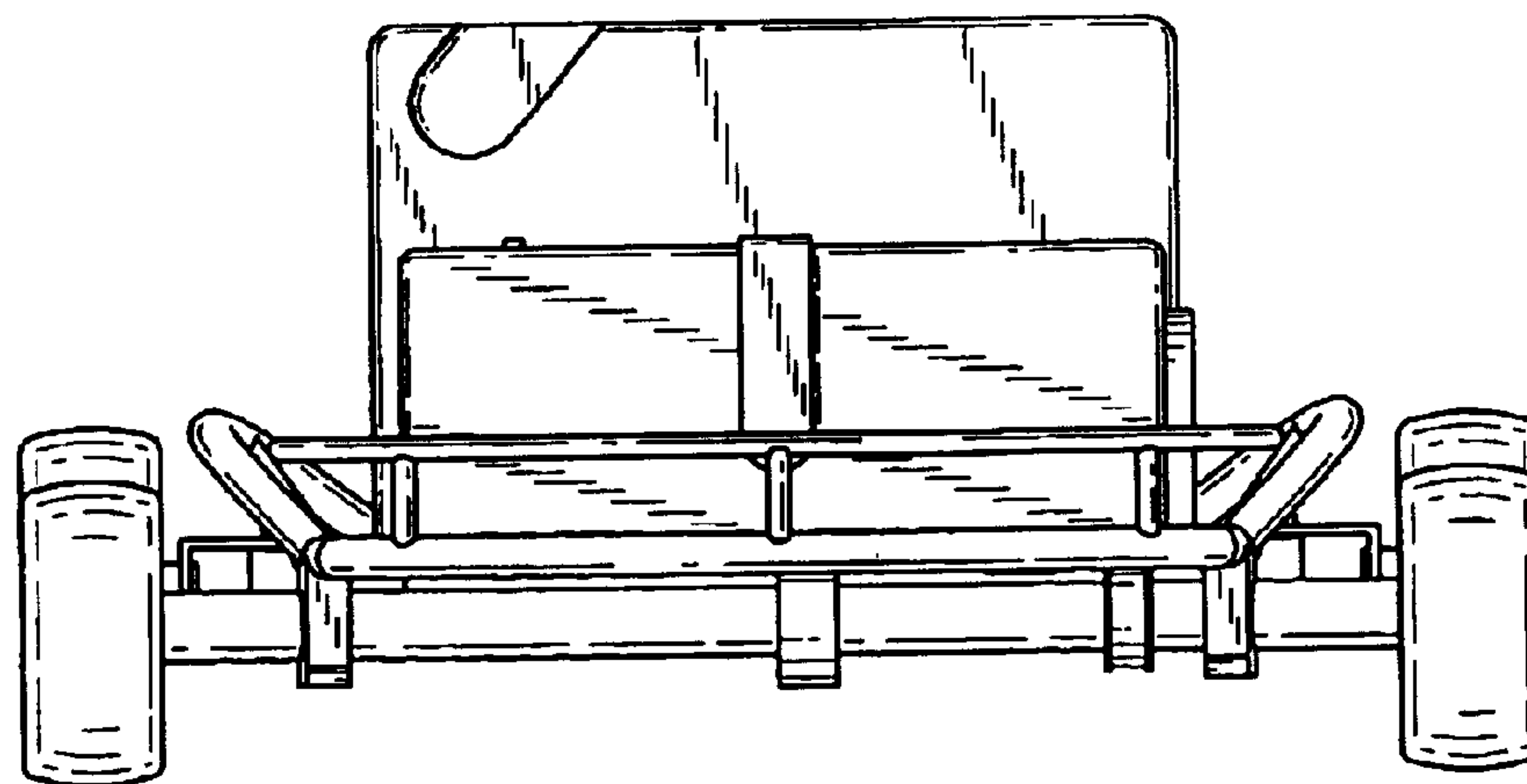


FIG. 5

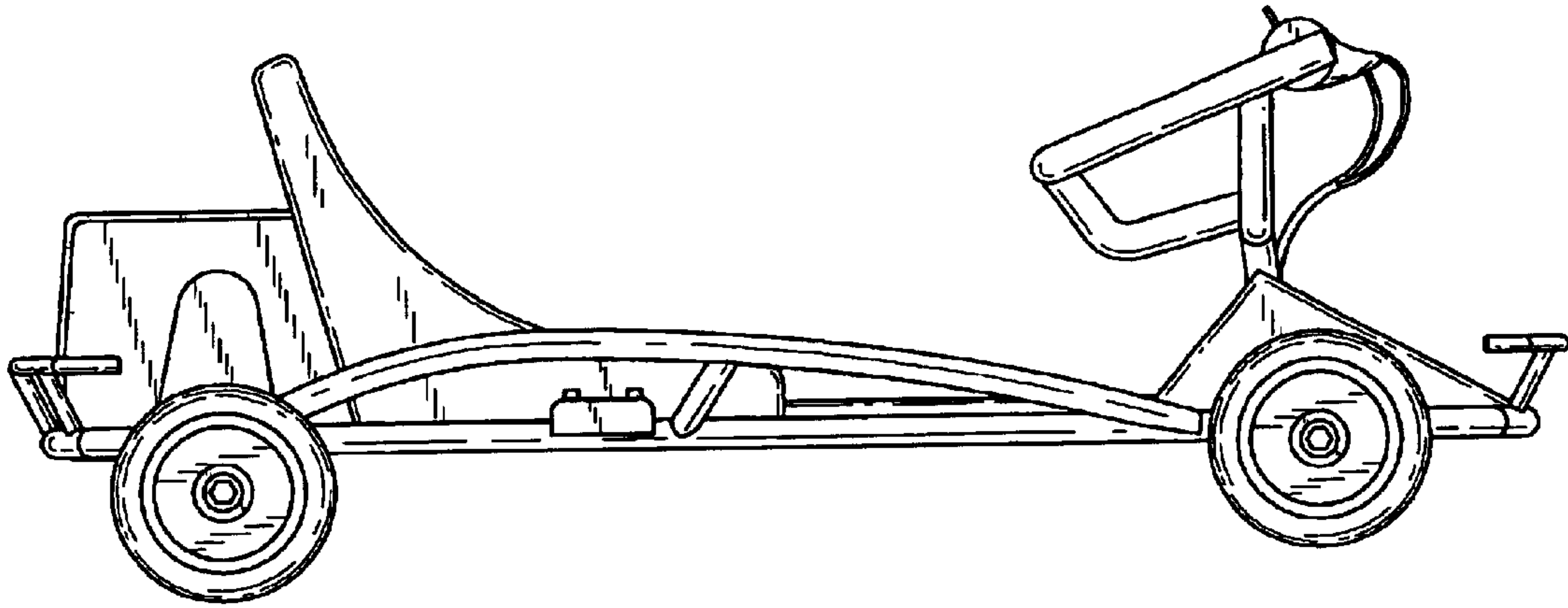


FIG. 6

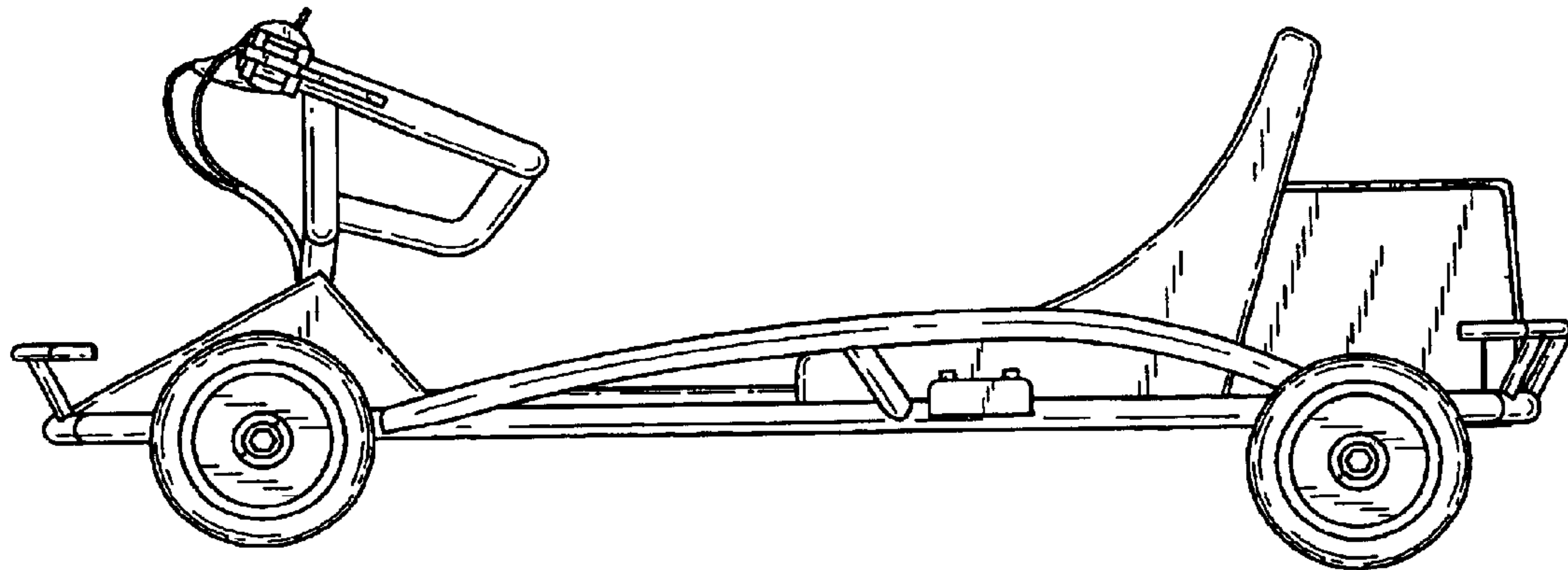


FIG. 7