



US00D512466S

(12) **United States Design Patent**
White et al.

(10) **Patent No.:** **US D512,466 S**
(45) **Date of Patent:** **** Dec. 6, 2005**

(54) **ELECTRONIC POKER TABLE TOP**

(75) Inventors: **Gehrig Henderson White**, Charlotte, NC (US); **James T. Crawford, III**, Charlotte, NC (US)

(73) Assignee: **PokerTek, Inc.**, Matthew, NC (US)

(**) Term: **14 Years**

(21) Appl. No.: **29/214,930**

(22) Filed: **Oct. 12, 2004**

Related U.S. Application Data

(63) Continuation of application No. 10/939,772, filed on Sep. 13, 2004.

- (51) **LOC (8) Cl.** **21-01**
- (52) **U.S. Cl.** **D21/397; D21/369; D6/511**
- (58) **Field of Search** **D6/480, 511; D21/369, D21/396-397, 334, 362; 273/292, 309; 463/13**

(56) **References Cited**

U.S. PATENT DOCUMENTS

- 1,900,513 A * 3/1933 Marsh 273/309
- 3,638,587 A 2/1972 Uyeda et al.
- 4,041,880 A 8/1977 Schankman
- 4,948,128 A 8/1990 Emery, II et al.
- 5,382,025 A 1/1995 Sklansky et al.
- 5,451,054 A 9/1995 Orenstein
- 5,657,993 A 8/1997 Merlino et al.
- 5,669,817 A 9/1997 Tarantino
- 5,676,375 A 10/1997 Pirouzkhah
- D399,374 S * 10/1998 Schubert D6/480

- D400,741 S * 11/1998 Schubert D6/480
- D400,950 S * 11/1998 Nally et al. D21/397
- 5,921,550 A 7/1999 Awada
- 6,095,524 A * 8/2000 Richter et al. 273/269
- 6,311,979 B1 11/2001 Andrews
- 6,446,972 B1 9/2002 Brunelle
- D463,924 S * 10/2002 Kovac D6/480
- 6,588,758 B1 7/2003 Lee

* cited by examiner

Primary Examiner—Sandra L. Morris

(74) *Attorney, Agent, or Firm*—Howard & Howard

(57) **CLAIM**

We claim the ornamental design for an electronic poker table top, as shown and described.

DESCRIPTION

FIG. 1 is a perspective view of an electronic poker table top with individual player screens and support legs shown in phantom, however, it is to be understood that the individual player screens and the support legs form no part of the subject invention;

FIG. 2 is a top view of the electronic poker table top of FIG. 1;

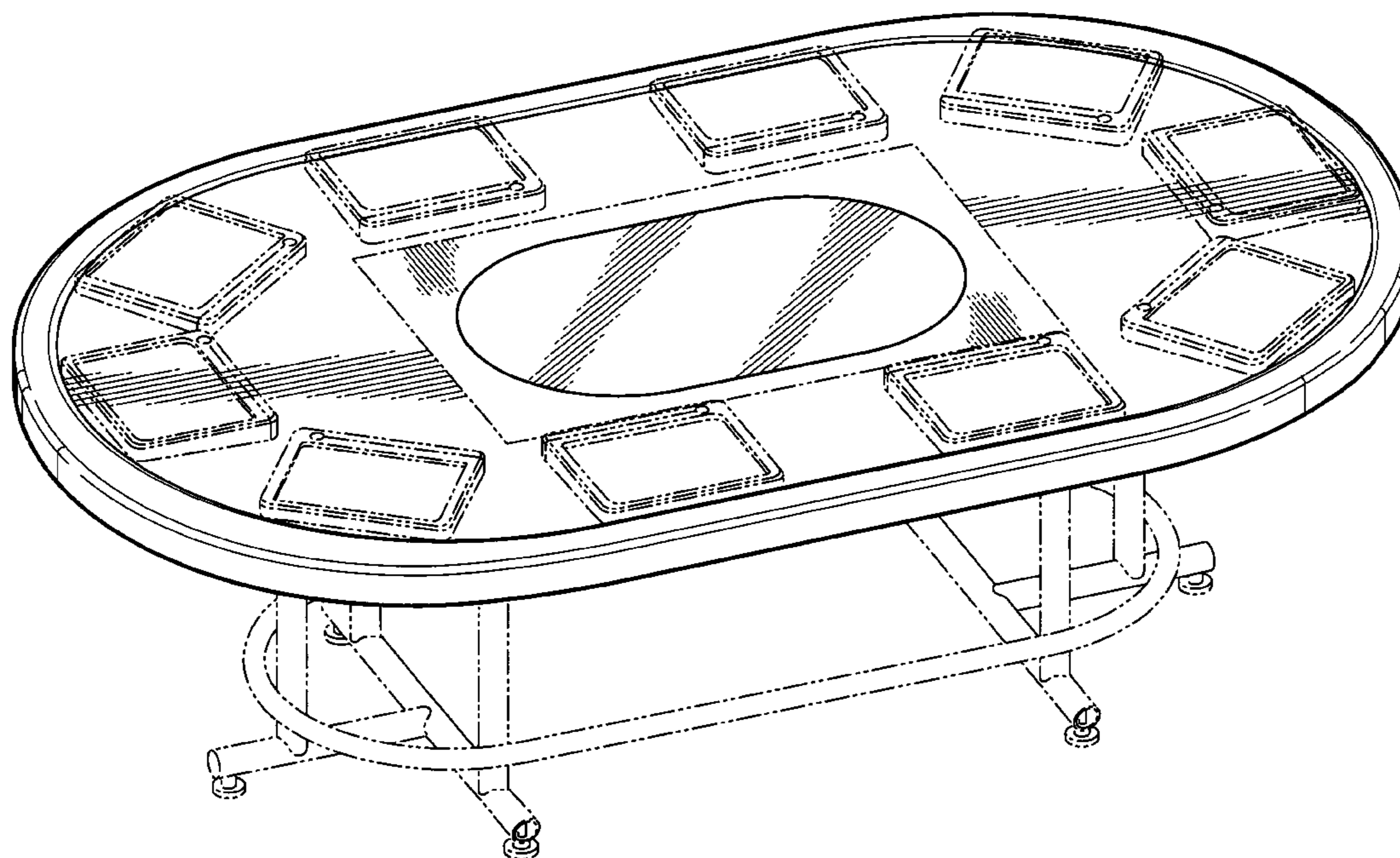
FIG. 3 is a front elevational view of the electronic poker table top of FIG. 1;

FIG. 4 is an end elevational view of the electronic poker table top of FIG. 1;

FIG. 5 is a perspective view from the front of the electronic poker table top of FIG. 1; and,

FIG. 6 is a perspective view from the end of the electronic poker table top of FIG. 1.

1 Claim, 6 Drawing Sheets



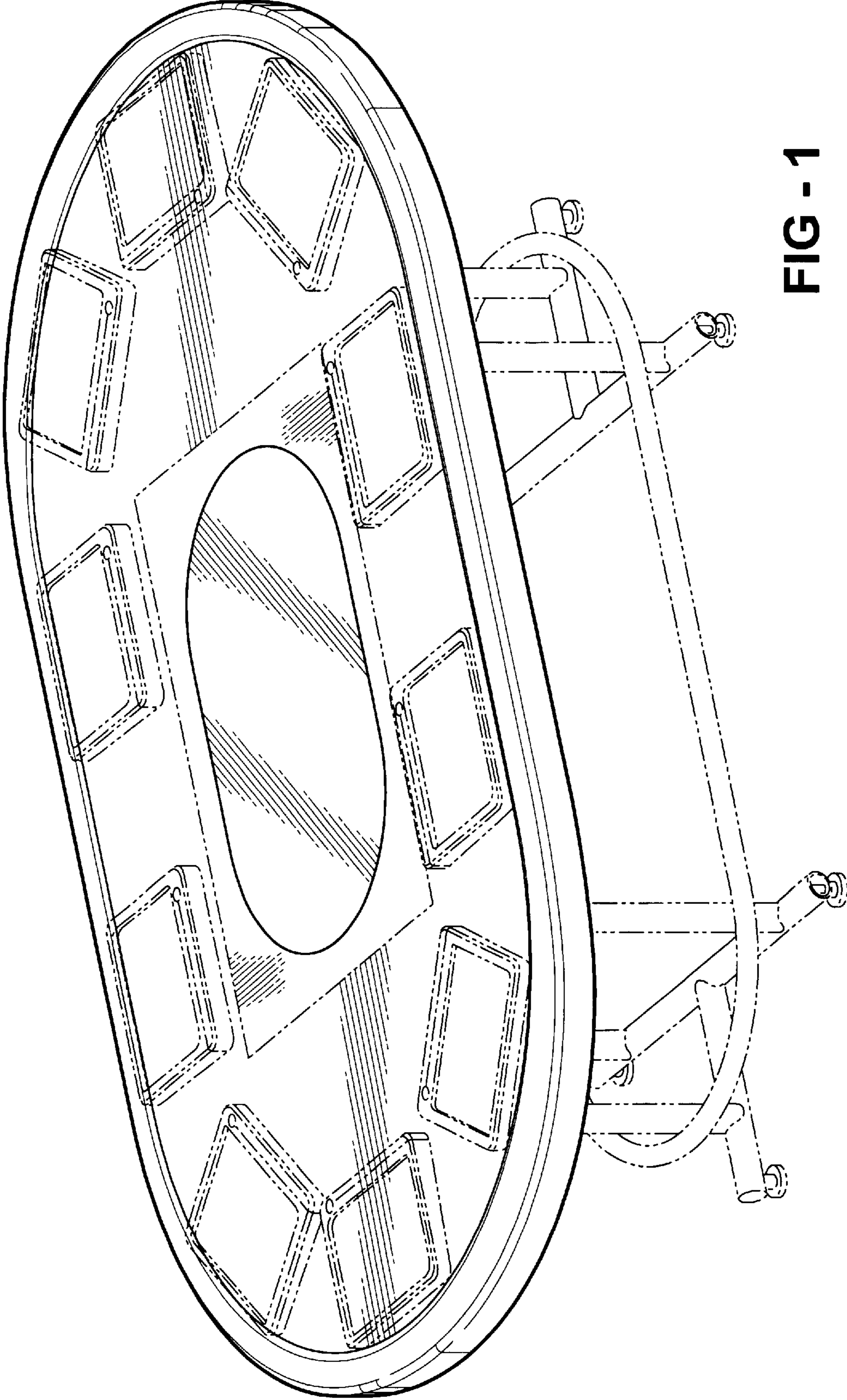


FIG - 1

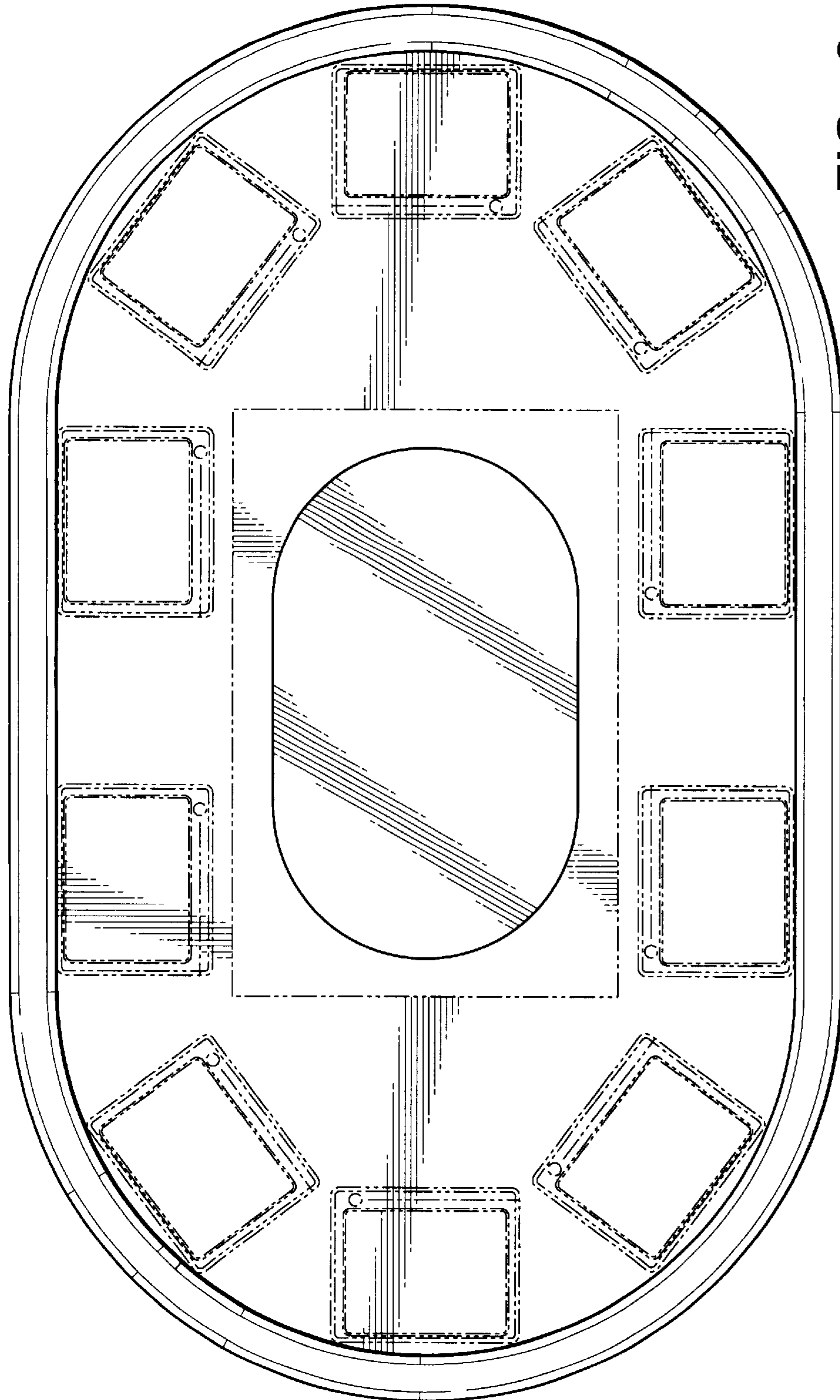


FIG - 2

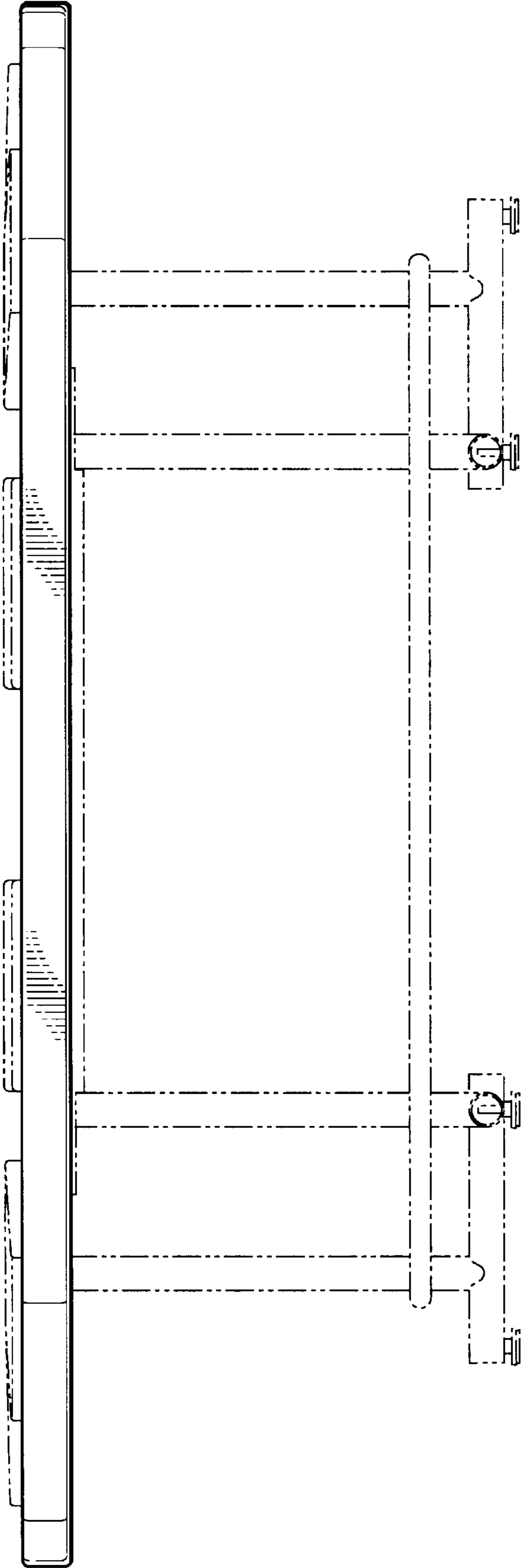


FIG - 3

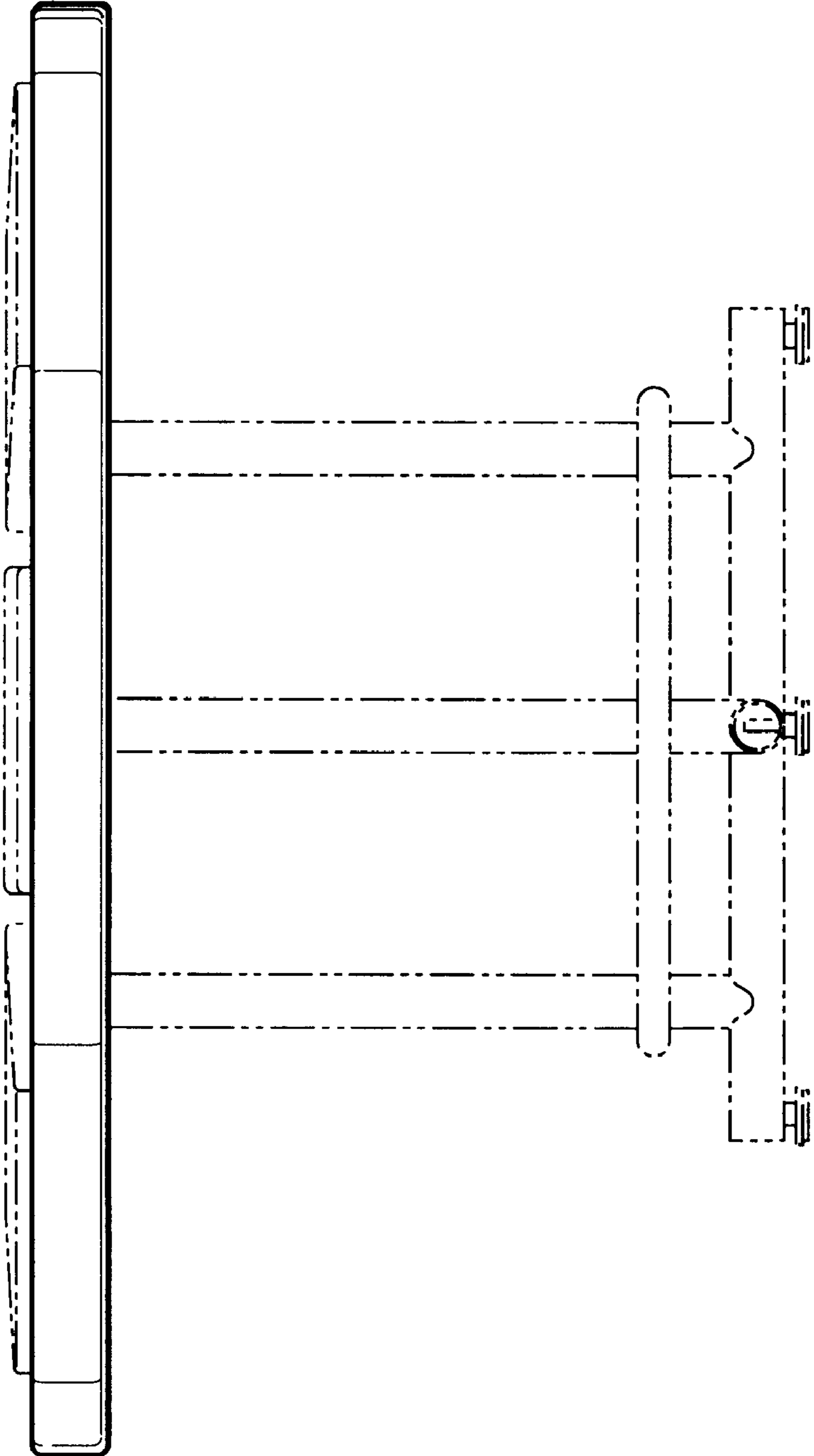
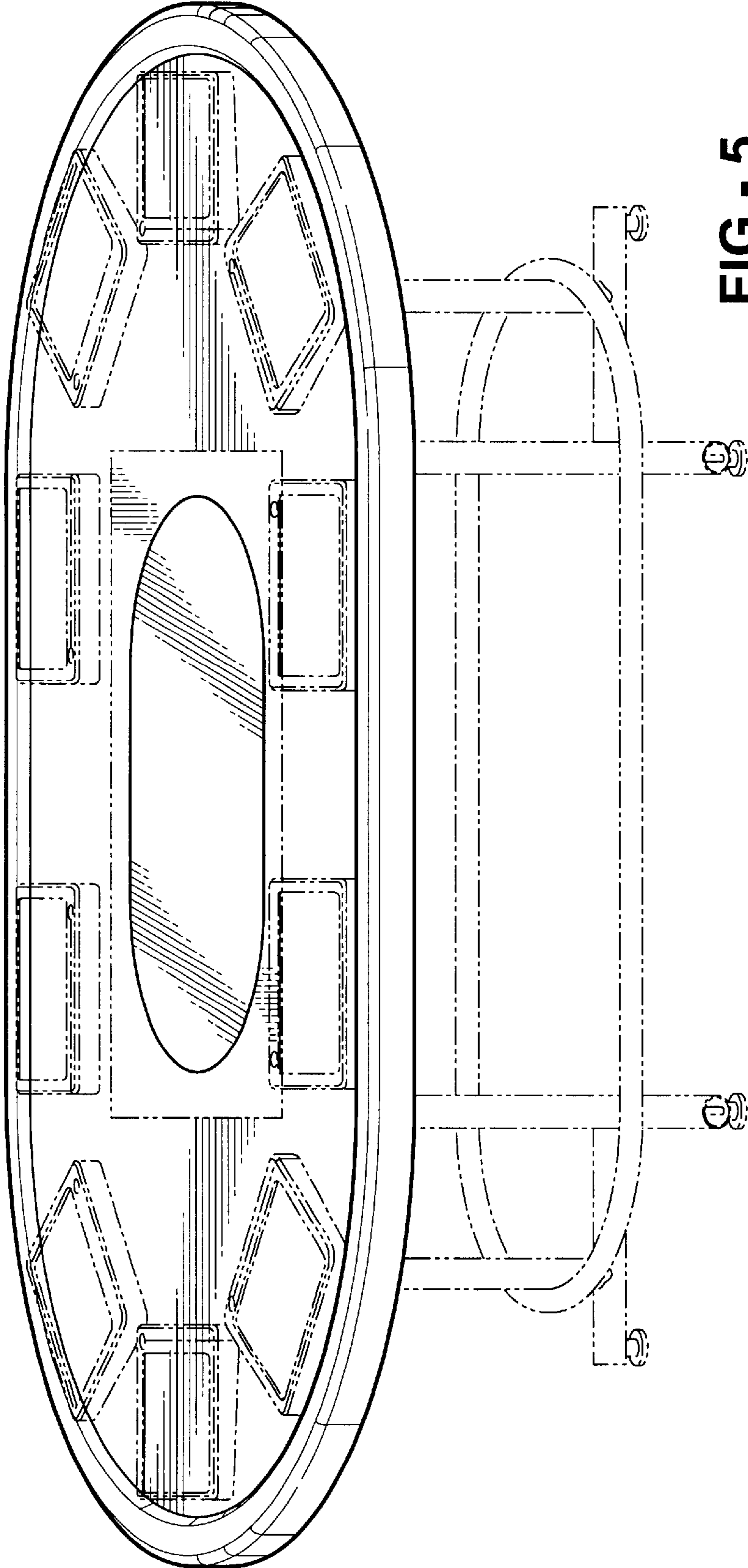


FIG - 4



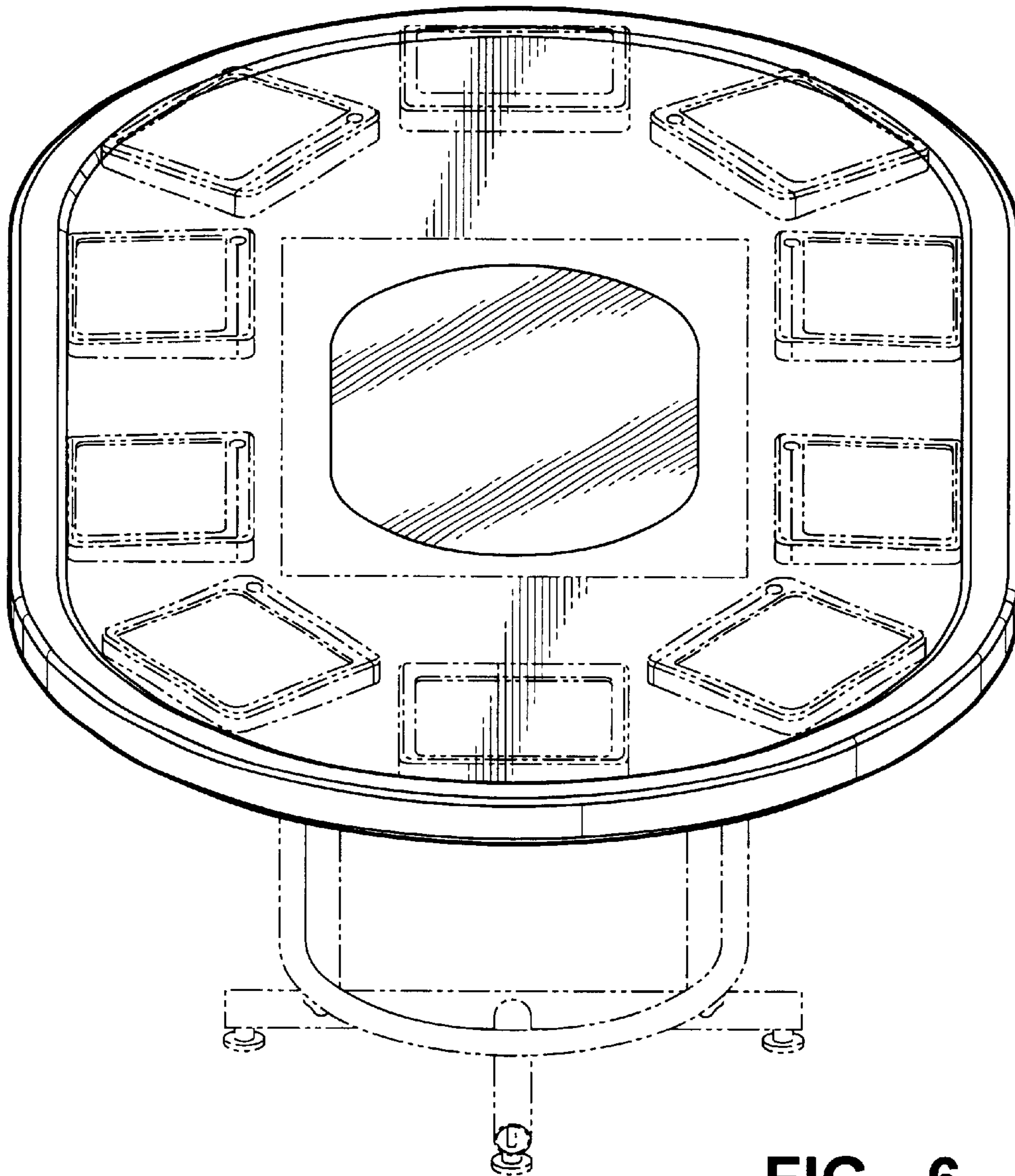


FIG - 6