



US00D512458S

(12) **United States Design Patent**
Shiina

(10) **Patent No.:** **US D512,458 S**

(45) **Date of Patent:** **** Dec. 6, 2005**

(54) **WRITING INSTRUMENT**

(75) **Inventor:** **Masanao Shiina, Tokyo (JP)**

(73) **Assignee:** **Zebra Co., Ltd., Tokyo (JP)**

(**) **Term:** **14 Years**

(21) **Appl. No.:** **29/196,909**

(22) **Filed:** **Jan. 7, 2004**

(30) **Foreign Application Priority Data**

Jul. 24, 2003 (JP) 2003-021443

(51) **LOC (8) Cl.** **19-06**

(52) **U.S. Cl.** **D19/49; D19/55; D19/56**

(58) **Field of Search** D19/35, 36, 41-51,
D19/53-58, 81-85; 401/6, 7, 88, 99-102,
103-110, 111-117, 209, 202, 213, 262,
243-247; 24/10 R, 11 R, 11 F, 11 M, 11 P,
11 PP, 11 HC, 11 CT

(56) **References Cited**

U.S. PATENT DOCUMENTS

- D216,844 S * 3/1970 Shimada D19/49
- D242,792 S * 12/1976 Loftus D19/49
- D260,021 S * 7/1981 Carre D19/49
- D324,543 S * 3/1992 Poisson D19/49

- D332,963 S * 2/1993 Anavil et al. D19/49
- D404,428 S * 1/1999 Takahashi D19/49
- D495,744 S * 9/2004 Ikeda D19/51
- D496,069 S * 9/2004 Takanashi D19/53

* cited by examiner

Primary Examiner—Martie K. Holtje

(57) **CLAIM**

The ornamental design for a writing instrument, as shown and described.

DESCRIPTION

FIG. 1 is a side elevational view of a writing instrument showing my new design, the opposite side being a mirror image thereof;

FIG. 2 is a bottom plan view thereof;

FIG. 3 is a top plan view thereof;

FIG. 4 is a front elevational view thereof;

FIG. 5 is a rear elevational view thereof;

FIG. 6 is a side elevational view of a second embodiment of my design of FIG. 1, the opposite side being a mirror image thereof;

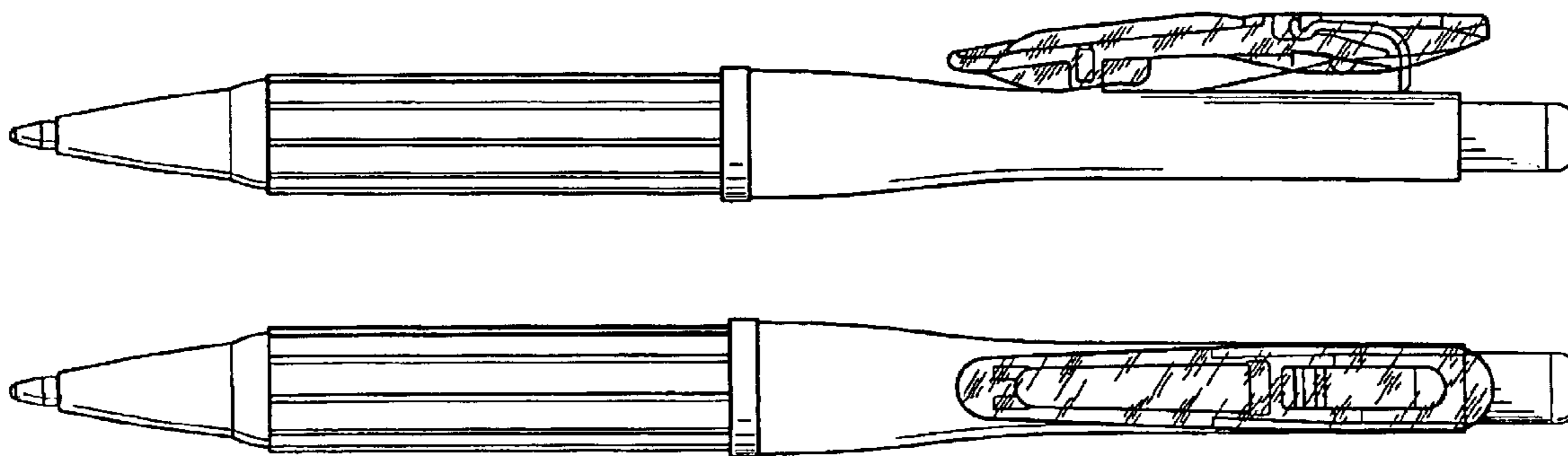
FIG. 7 is a bottom plan view of FIG. 6;

FIG. 8 is a top plan view of FIG. 6;

FIG. 9 is a front elevational view of FIG. 6; and,

FIG. 10 is a rear elevational view of FIG. 6.

1 Claim, 2 Drawing Sheets



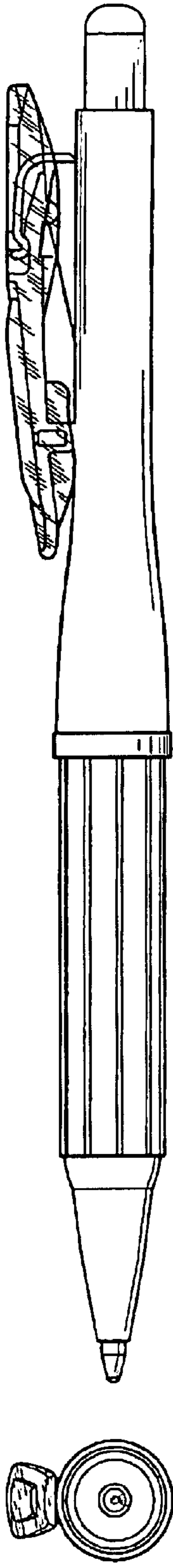


FIG. 1

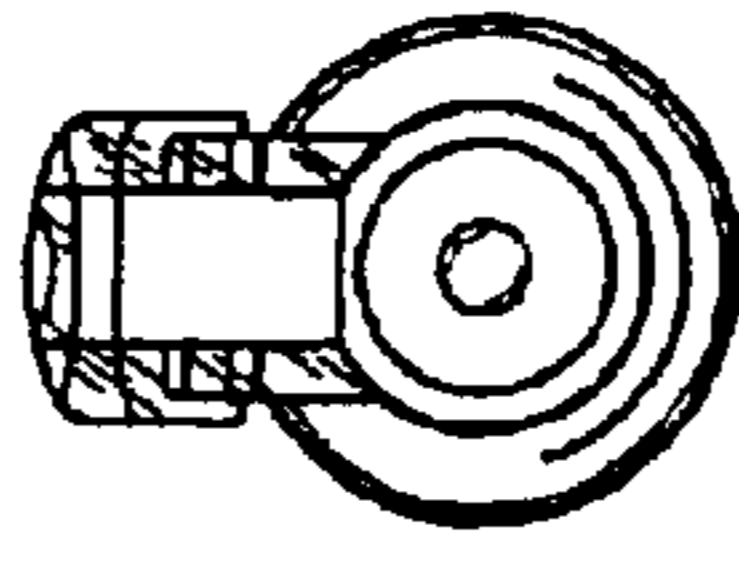


FIG. 3

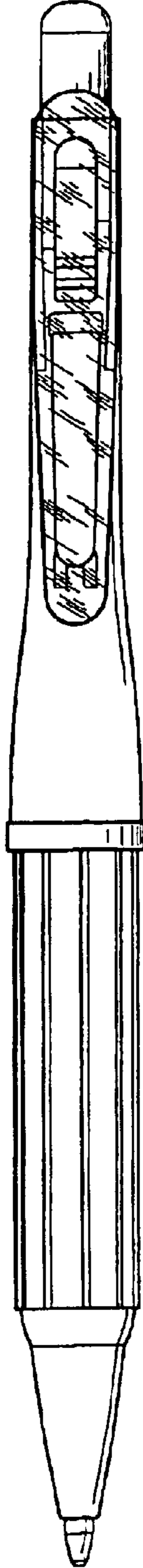


FIG. 4



FIG. 5

FIG. 2

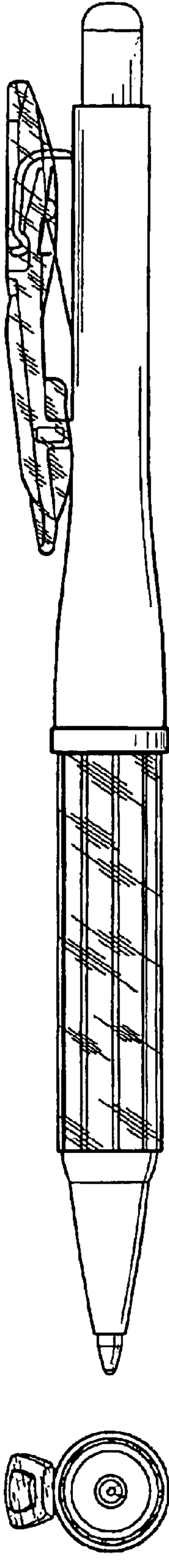


FIG. 7

FIG. 6

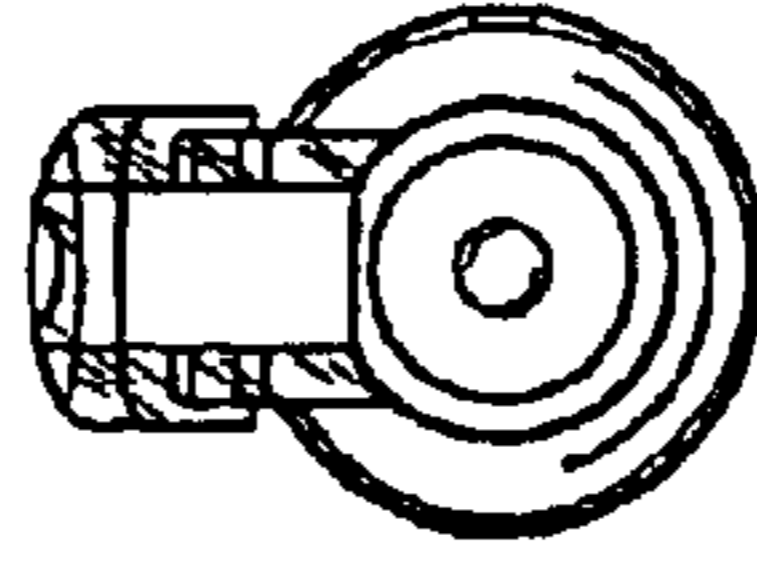


FIG. 8

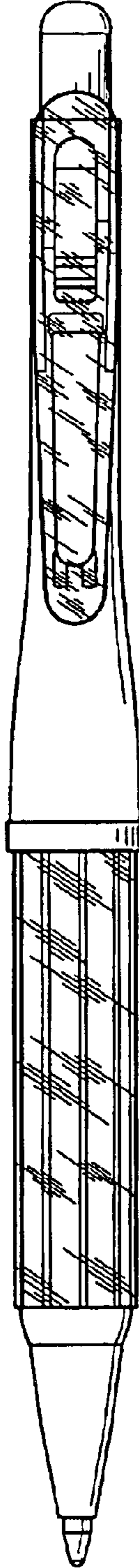


FIG. 9

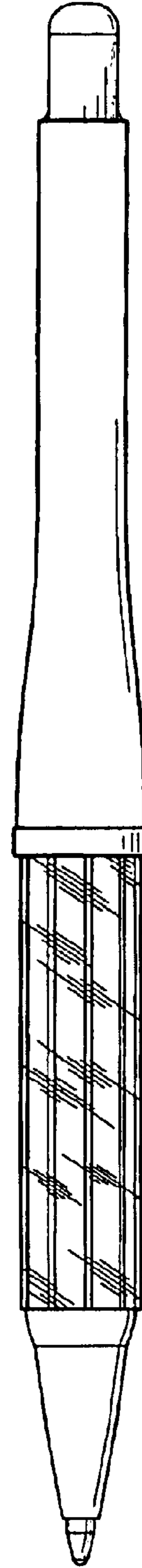


FIG. 10